



US00D453976S

(12) **United States Design Patent**
Slutterback

(10) **Patent No.:** **US D453,976 S**

(45) **Date of Patent:** **** Feb. 26, 2002**

(54) **KNEE PAD FOR A KNEE OR THE LIKE**

(75) Inventor: **Gerald E. Slutterback**, Coral Springs, FL (US)

(73) Assignee: **FLA Orthopedics, Inc.**, Miramar, FL (US)

(**) Term: **14 Years**

(21) Appl. No.: **29/126,081**

(22) Filed: **Jul. 7, 2000**

(51) **LOC (7) Cl.** **02-04**

(52) **U.S. Cl.** **D29/121.1**

(58) **Field of Search** D29/120.1, 121.1, D29/121.2, 122; D2/610, 614-615, 623, 999; D24/190, 192; 128/846, 878; 602/26, 62-63; 2/455, 22-24, 46, 62, 242

(56) **References Cited**

U.S. PATENT DOCUMENTS

D232,496 S	*	8/1974	Rawlings	D29/120.1
D406,677 S		3/1999	Koschmann et al.		
D408,596 S	*	4/1999	Dancyger	D29/121.1
D434,878 S	*	12/2000	Bonaventure et al.	..	D29/121.1
D436,696 S	*	1/2001	Bonaventure et al.	..	D29/121.1

* cited by examiner

Primary Examiner—Stella Reid
Assistant Examiner—Robert A. Delehanty

(74) *Attorney, Agent, or Firm*—Dougherty & Clements LLP

(57) **CLAIM**

The ornamental design for a knee pad for a knee or the like, as shown and described.

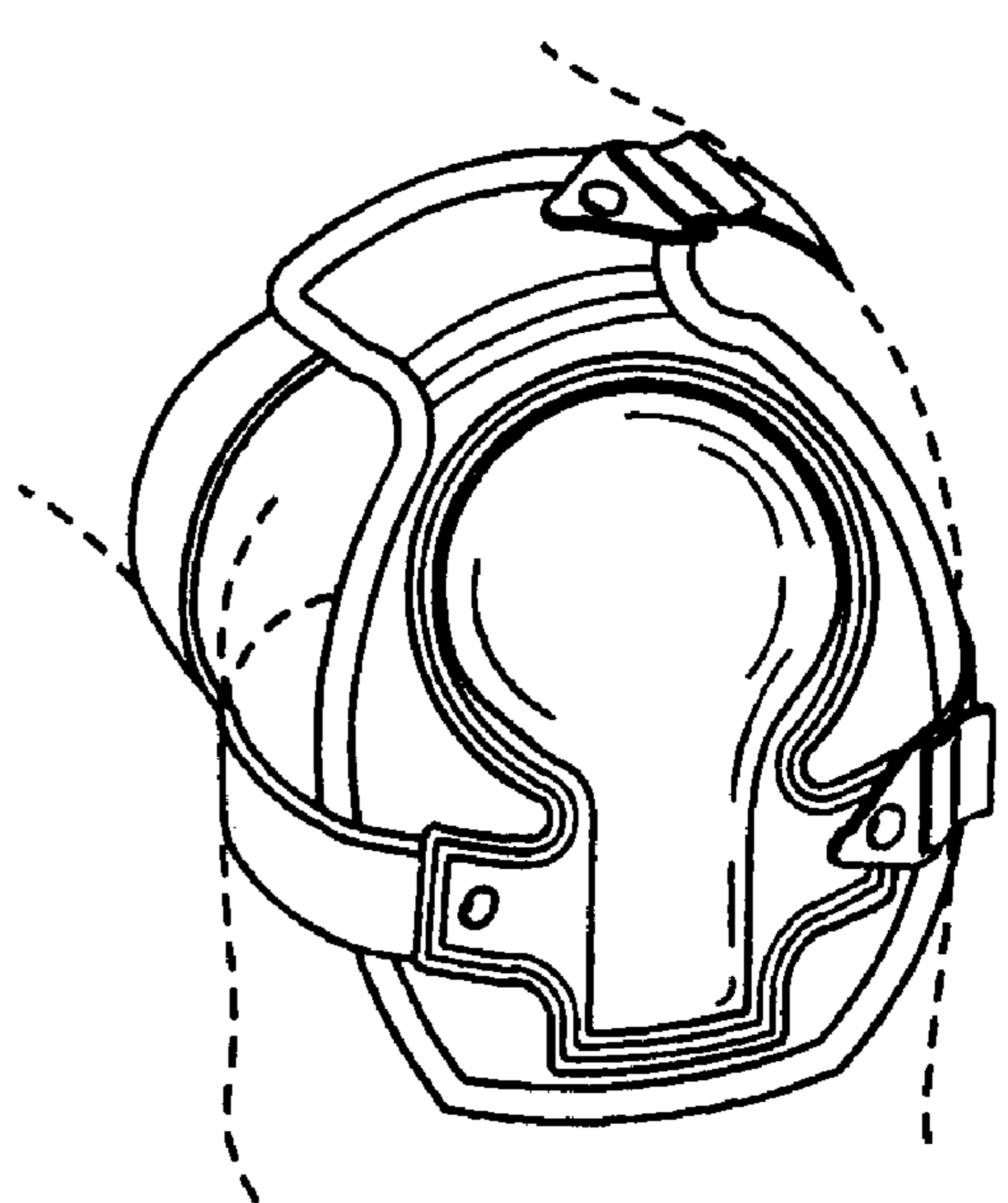
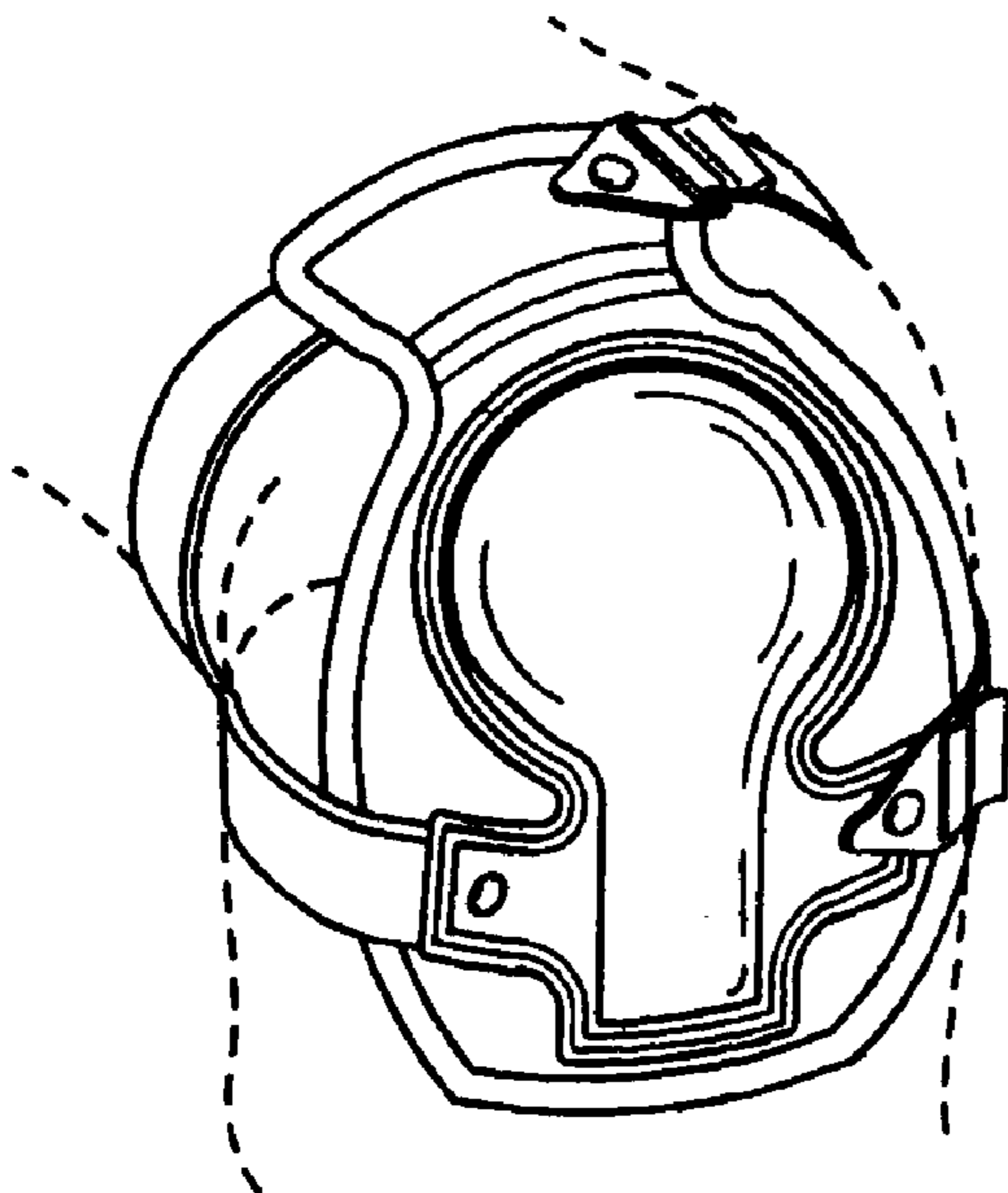
DESCRIPTION

FIG. 1 is a perspective view of a knee pad for a knee or the like in place on a knee, and showing my new design; FIG. 2 is a top view of the knee pad for a knee or the like; FIG. 3 is a front view thereof; FIG. 4 is a left side view thereof; FIG. 5 is a back view thereof; FIG. 6 is a right side view thereof; and FIG. 7 is a bottom view thereof.

FIG. 8 is a perspective view of an alternative embodiment of a knee pad for a knee or the like showing an alternative design; FIG. 9 is a top view of the embodiment of FIG. 8; FIG. 10 is a front view thereof; FIG. 11 is a left side view thereof; FIG. 12 is back view thereof; FIG. 13 is a right side view thereof; and, FIG. 14 is a bottom view thereof.

The broken line showing of a knee is for illustrative purposes only and forms no part of the claimed design. The broken lines shown on the knee pad in the drawing are understood to represent stitching.

1 Claim, 2 Drawing Sheets



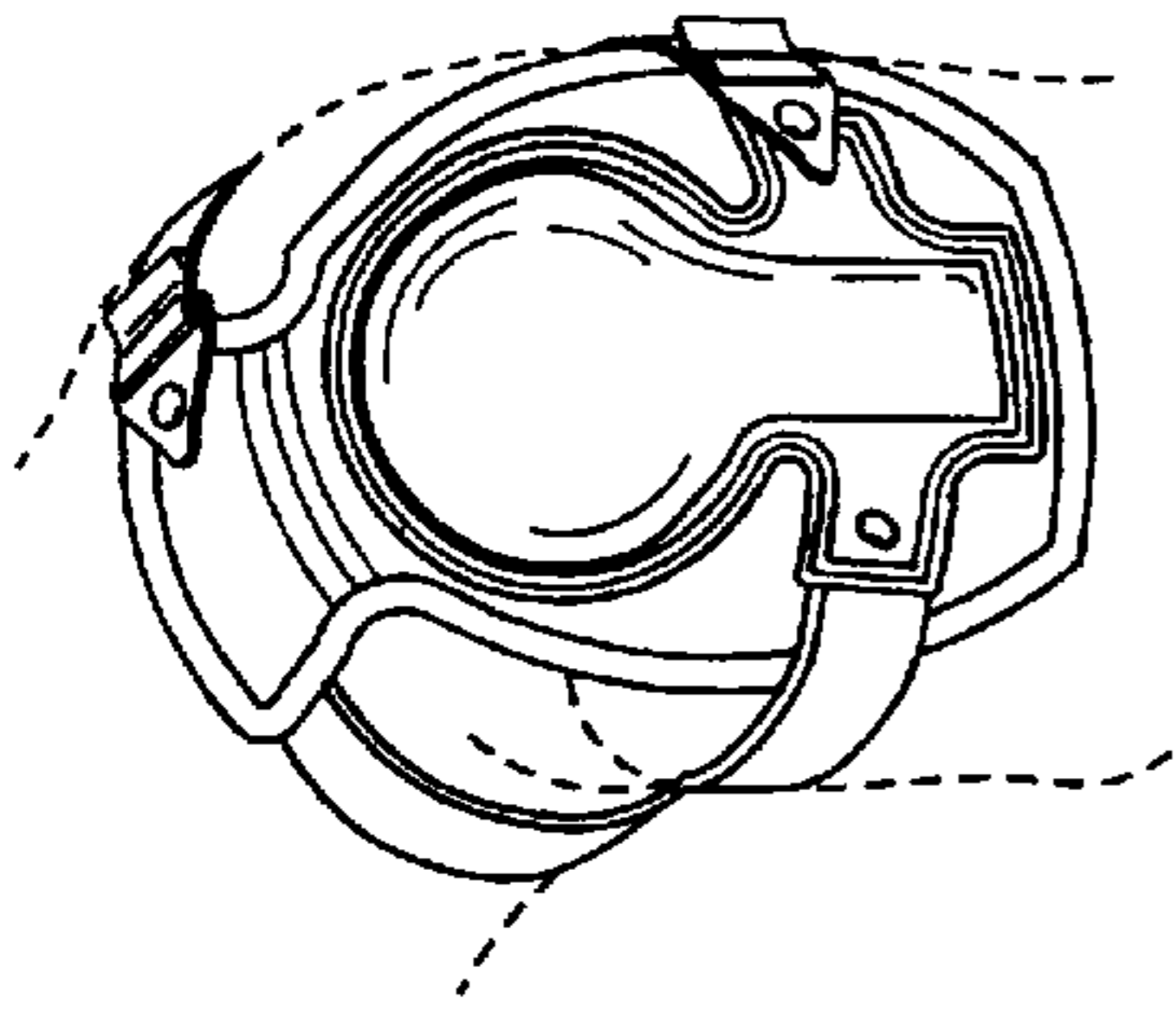


Fig. 1



Fig. 2

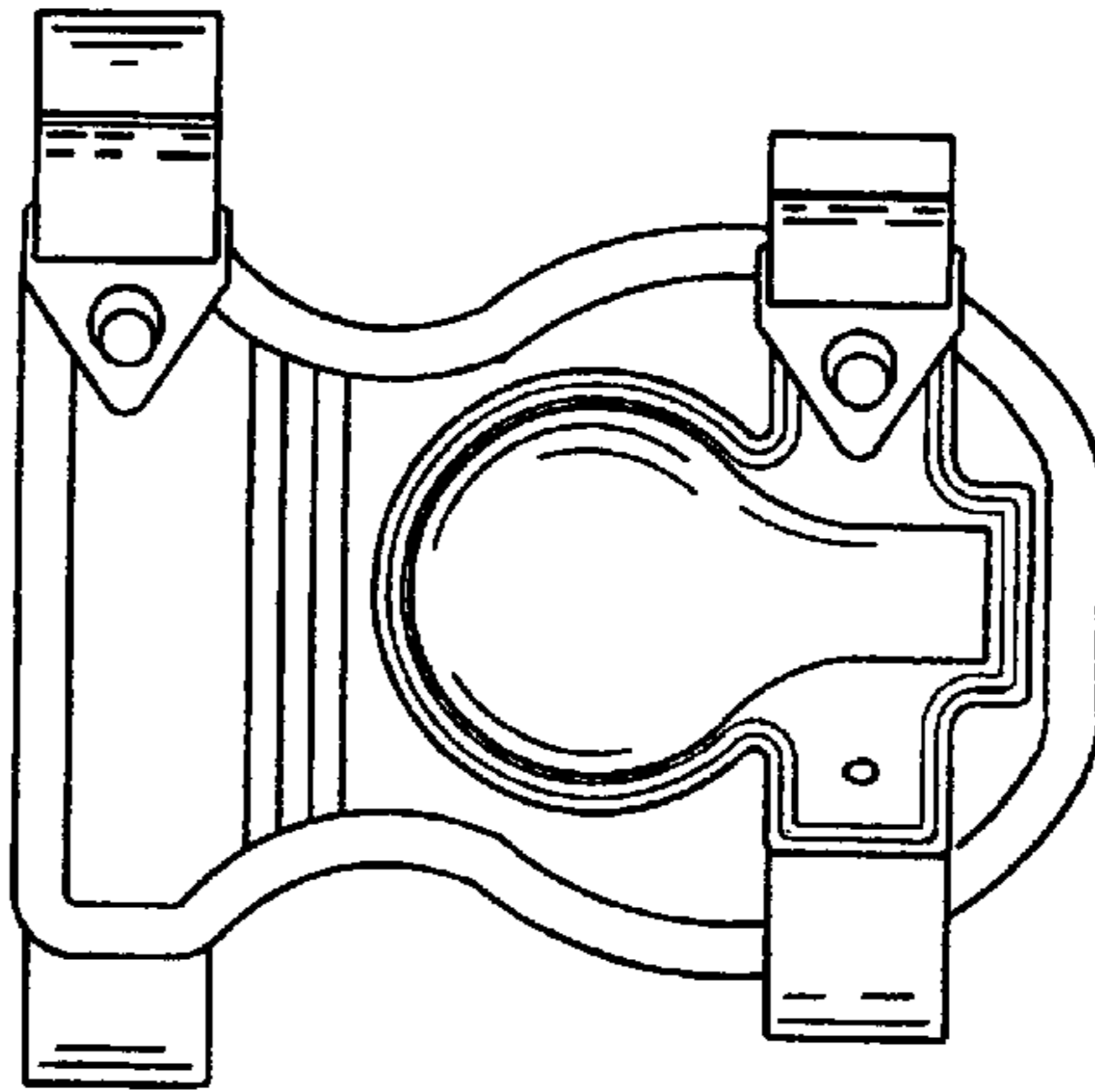


Fig. 3

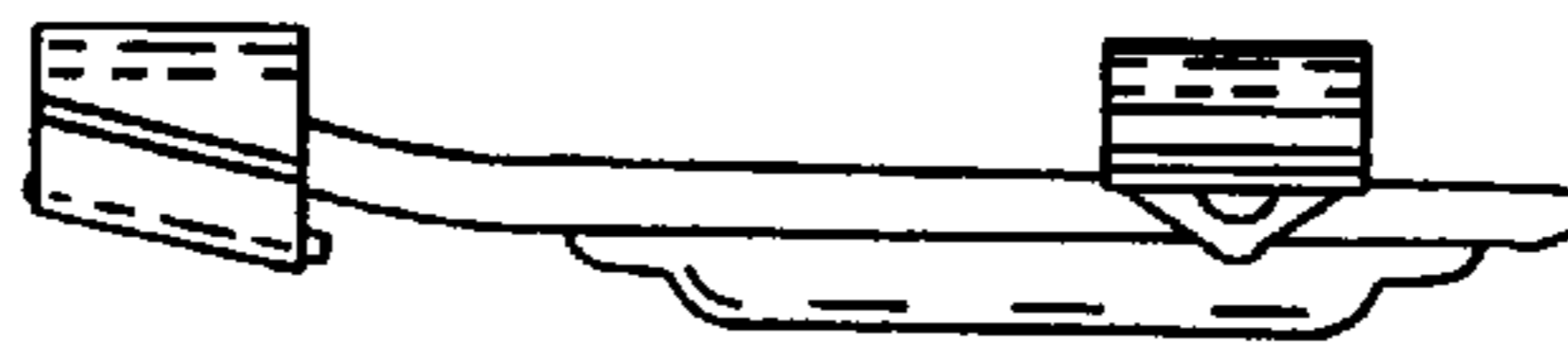


Fig. 4

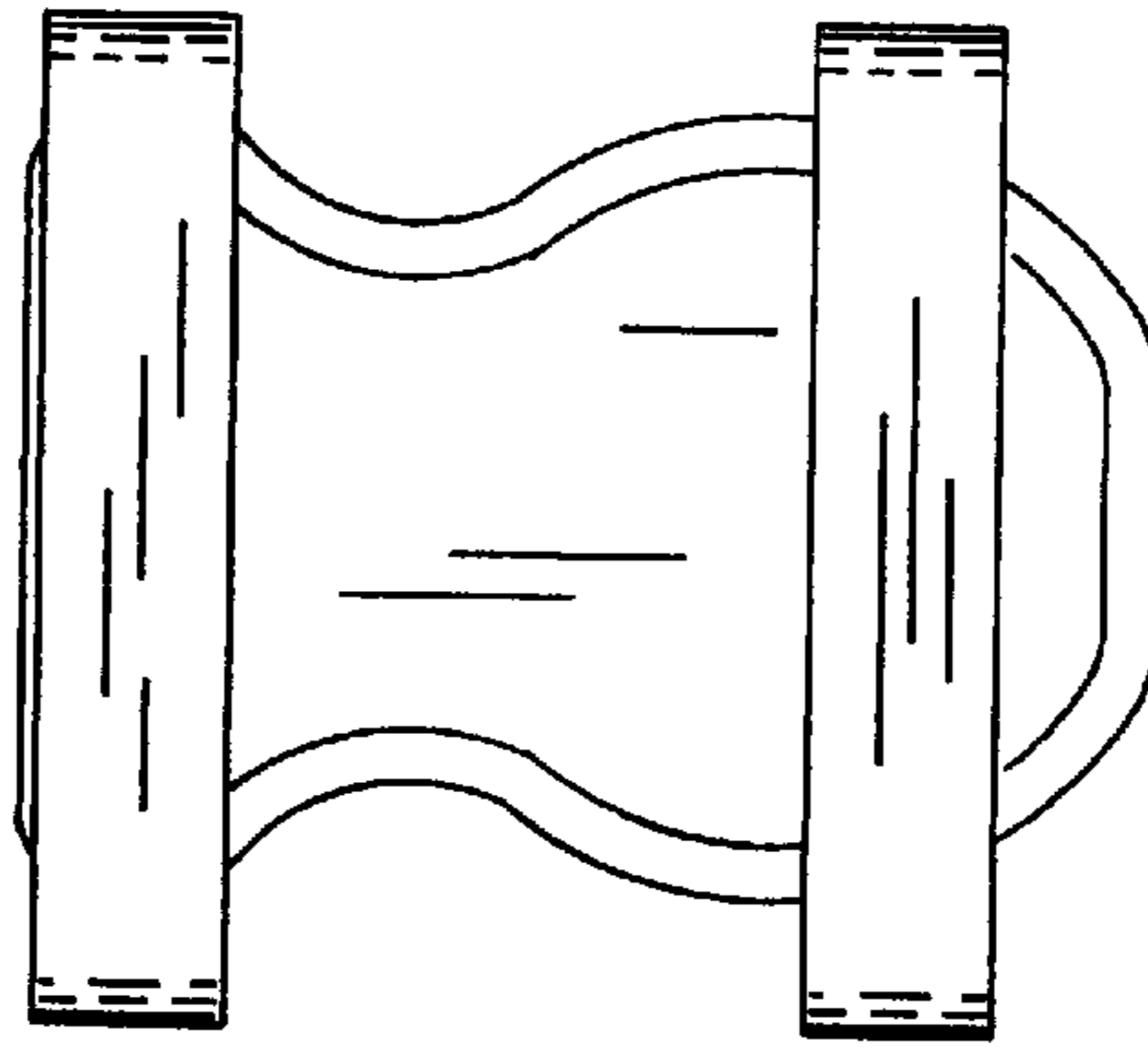


Fig. 5



Fig. 7

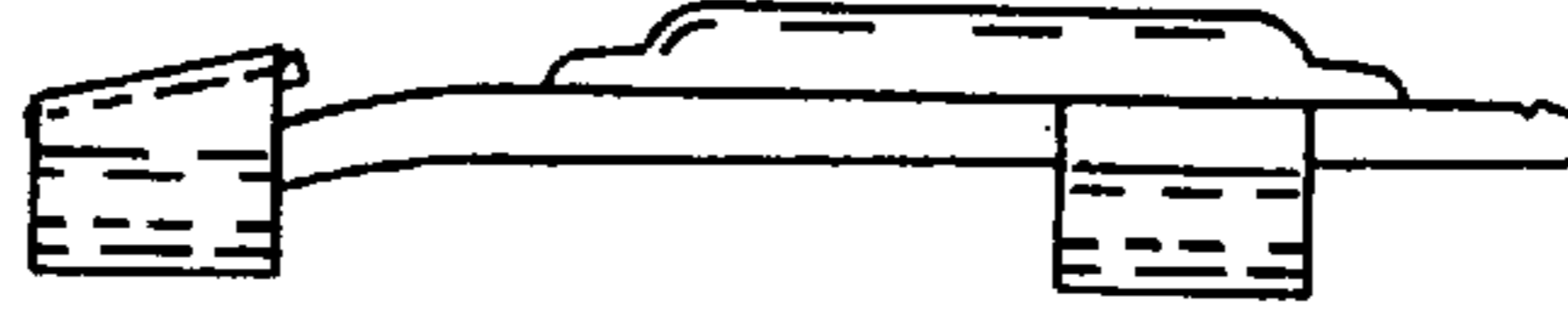


Fig. 6

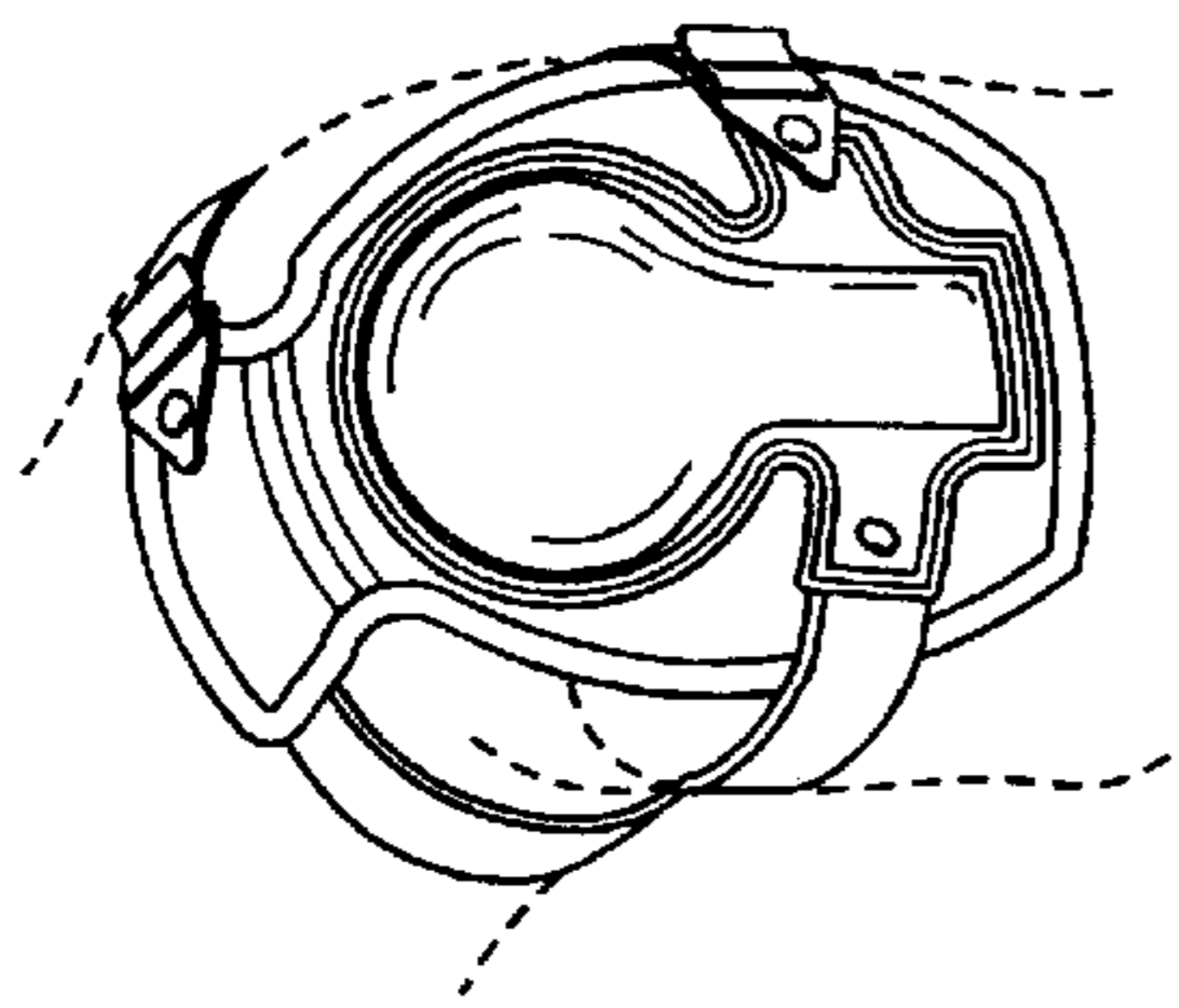


Fig. 8



Fig. 9

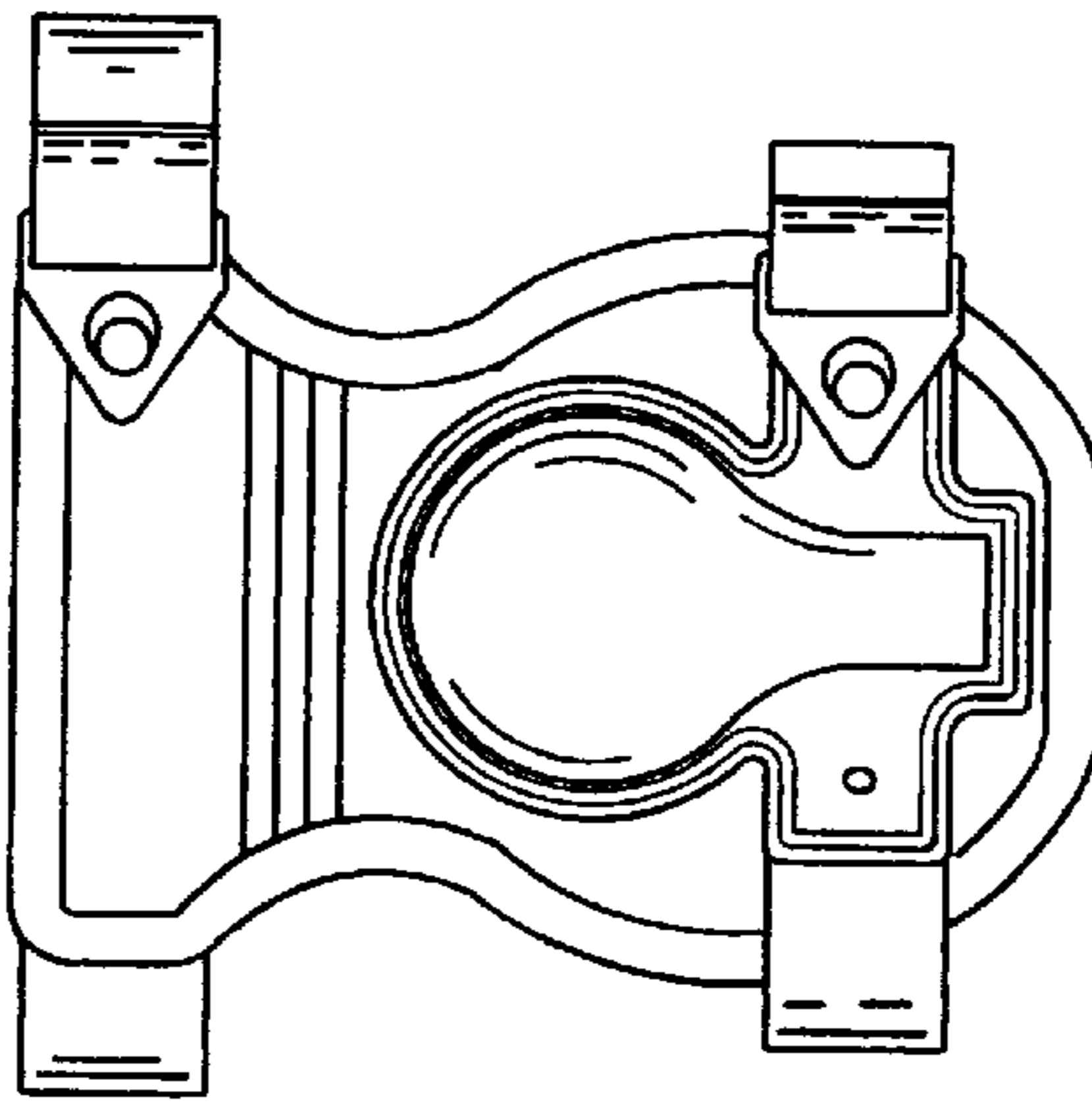


Fig. 10

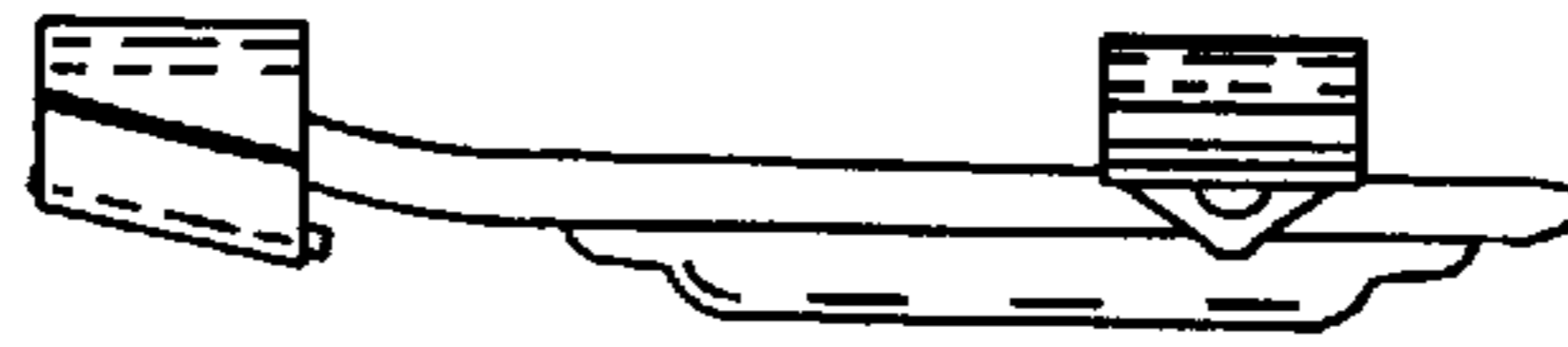


Fig. 11

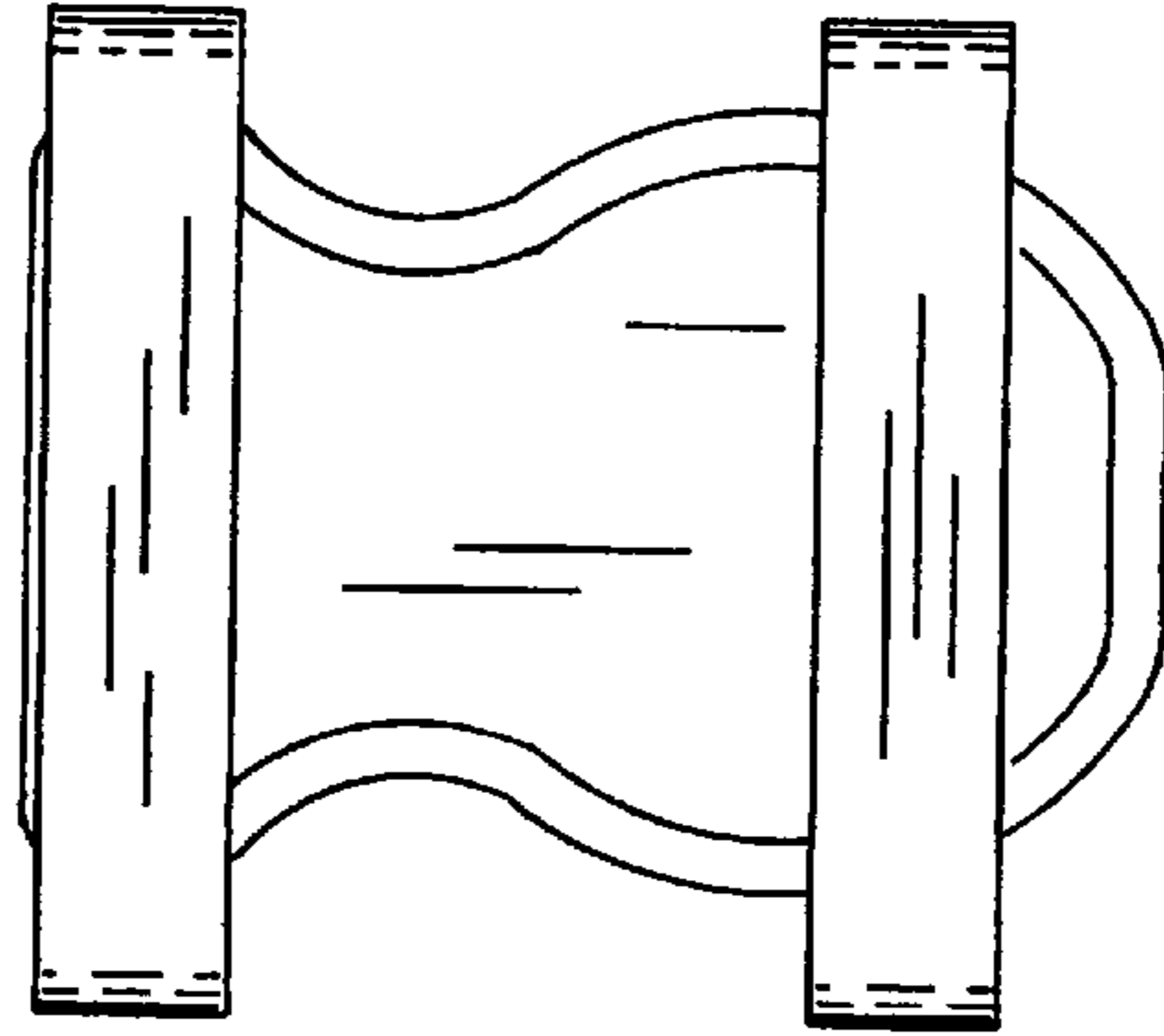


Fig. 12

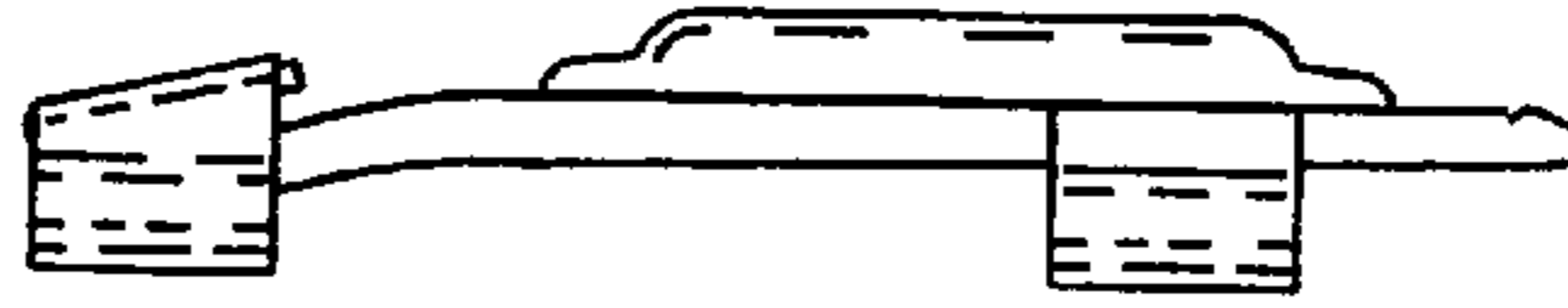


Fig. 13



Fig. 14