



US00D453963S

(12) **United States Design Patent**
Morrell et al.

(10) **Patent No.: US D453,963 S**

(45) **Date of Patent: ** *Feb. 26, 2002**

(54) **SHEATH FOR CERVICAL OPTICAL PROBE**

(75) Inventors: **Richard M. Morrell**, Milford; **Stephen C. Parshley**, Northampton; **Randal B. Chinnock**, Sturbridge, all of MA (US)

(73) Assignee: **MediSpectra, Inc.**, Lexington, MA (US)

(*) Notice: This patent is subject to a terminal disclaimer.

(**) Term: **14 Years**

(21) Appl. No.: **29/136,943**

(22) Filed: **Feb. 9, 2001**

(51) **LOC (7) Cl. 24-02**

(52) **U.S. Cl. D24/138**

(58) **Field of Search D24/133, 138;**
600/121, 122, 123, 124, 125, 129, 104,
114, 115, 203, 463, 587, 591

(56) **References Cited**

U.S. PATENT DOCUMENTS

3,809,072 A	*	5/1974	Ersek et al.	600/249
D242,393 S	*	11/1976	Bauman	D24/138
D242,396 S	*	11/1976	Bauman	D24/138
D242,397 S	*	11/1976	Bauman	D24/138
D242,398 S	*	11/1976	Bauman	D24/138
4,646,722 A	*	3/1987	Silverstein et al.	600/104

5,193,525 A	*	3/1993	Silverstein et al.	600/125
5,469,853 A	*	11/1995	Law et al.	128/662.06
5,496,259 A	*	3/1996	Perkins	600/124
5,830,146 A	*	11/1998	Skladnev et al.	600/478
5,863,287 A	*	1/1999	Segawa	600/121
5,876,329 A	*	3/1999	Harhen	600/125
5,941,834 A	*	8/1999	Skladnev et al.	600/587
6,096,065 A	*	8/2000	Crowley	607/88
6,099,464 A	*	8/2000	Shimizu et al.	600/104

* cited by examiner

Primary Examiner—Stella Reid

(74) *Attorney, Agent, or Firm*—Testa, Hurwitz & Thibault, LLP

(57) **CLAIM**

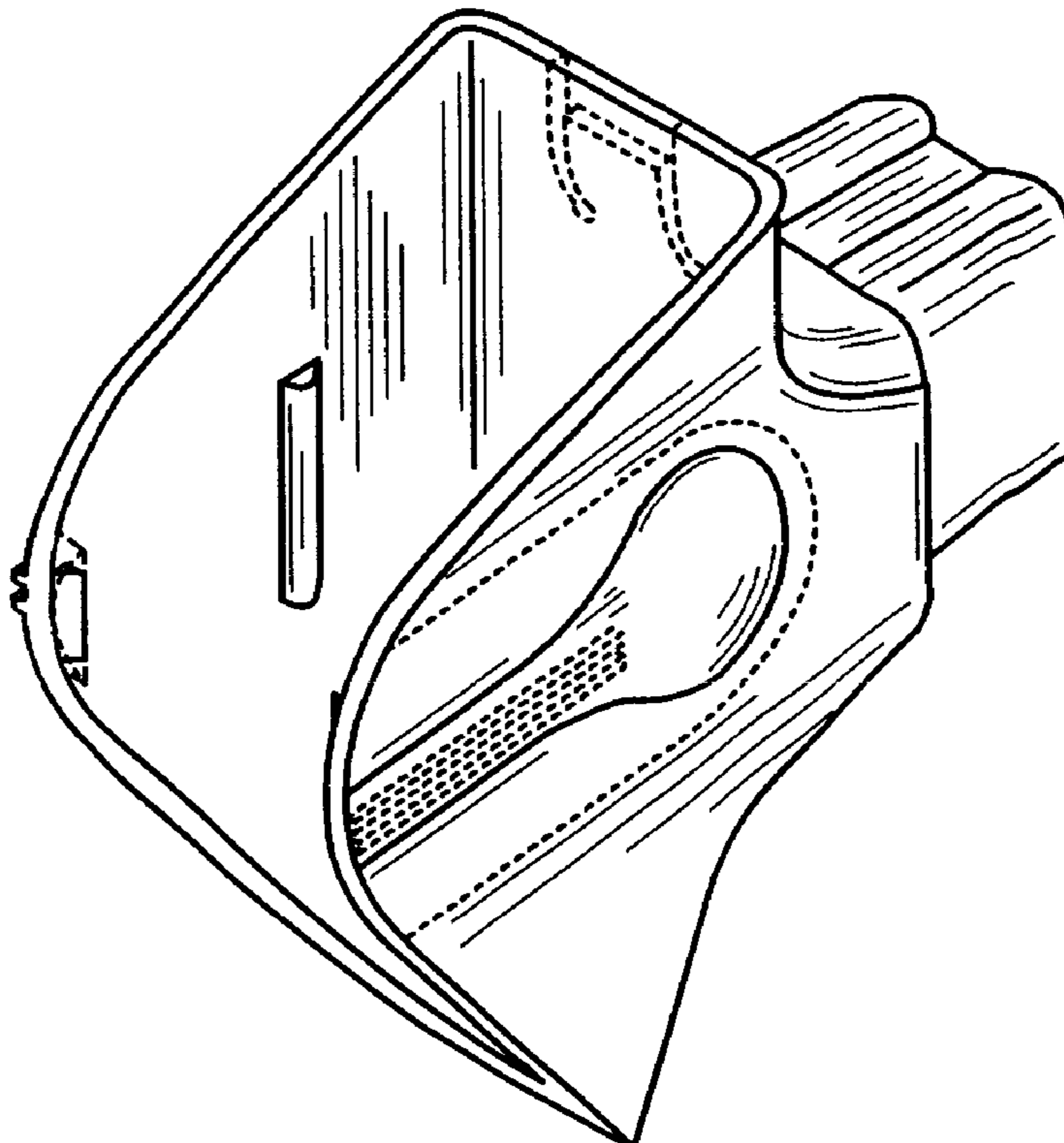
The ornamental design for a sheath for cervical optical probe, as shown and described.

DESCRIPTION

FIG. 1 is a perspective view of a sheath for cervical optical probe, showing our new design;
FIG. 2 is a top view thereof;
FIG. 3 is a side view thereof;
FIG. 4 is a bottom view thereof; and,
FIG. 5 is a front view thereof.

The portion of the article shown in broken lines throughout the views is for illustrative purposes only and does not form an integral part of the disclosed and claimed design.

1 Claim, 1 Drawing Sheet



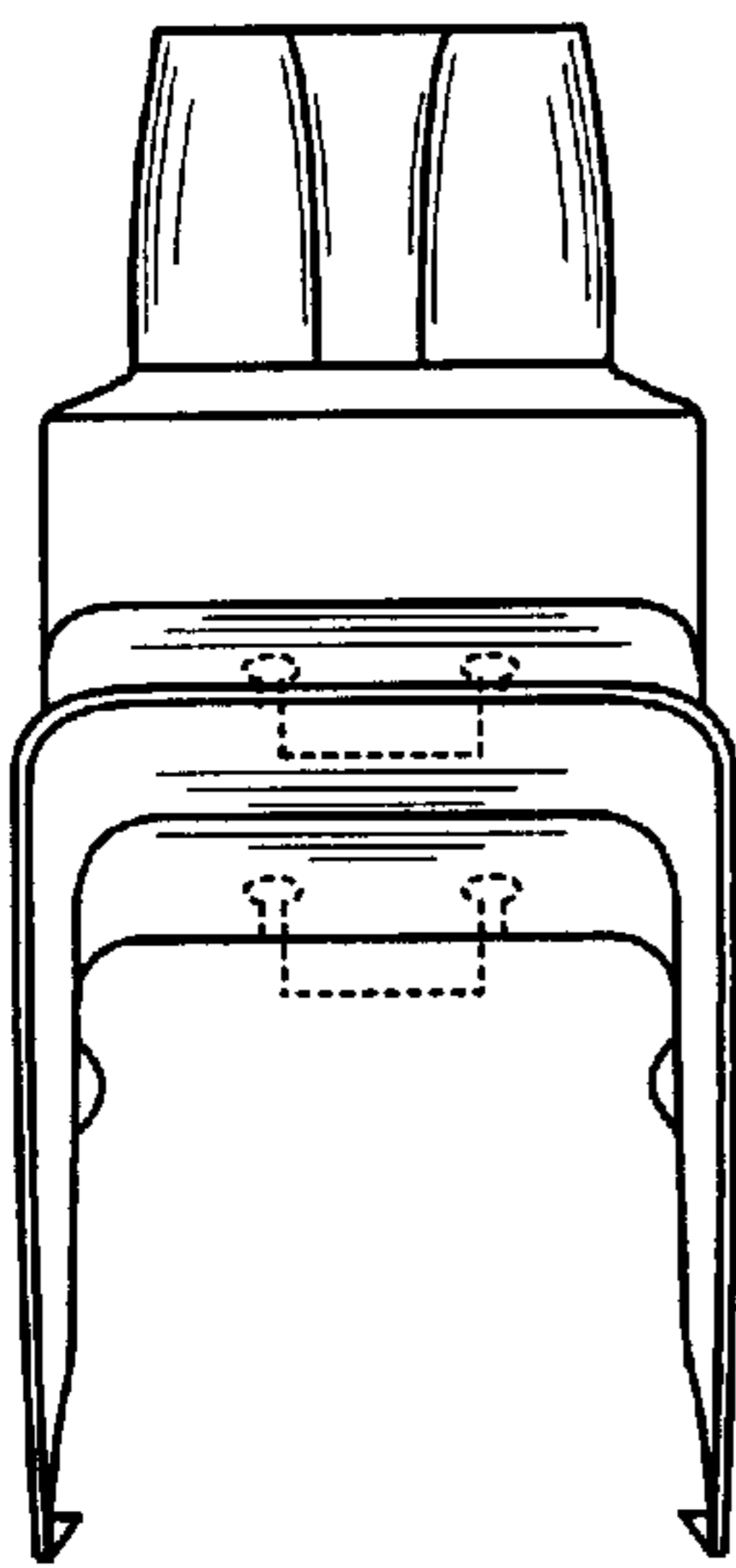


FIG. 2

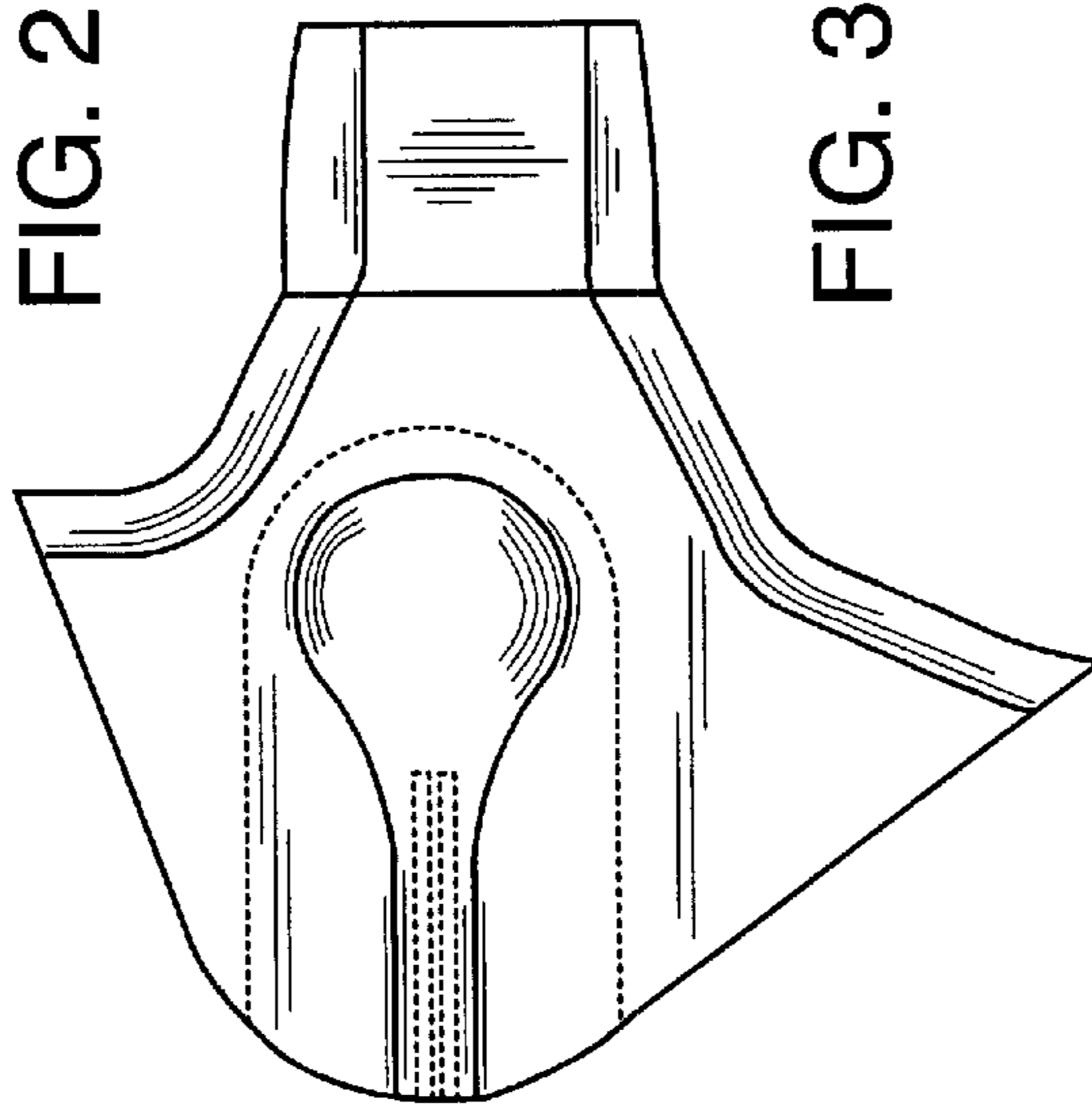


FIG. 3

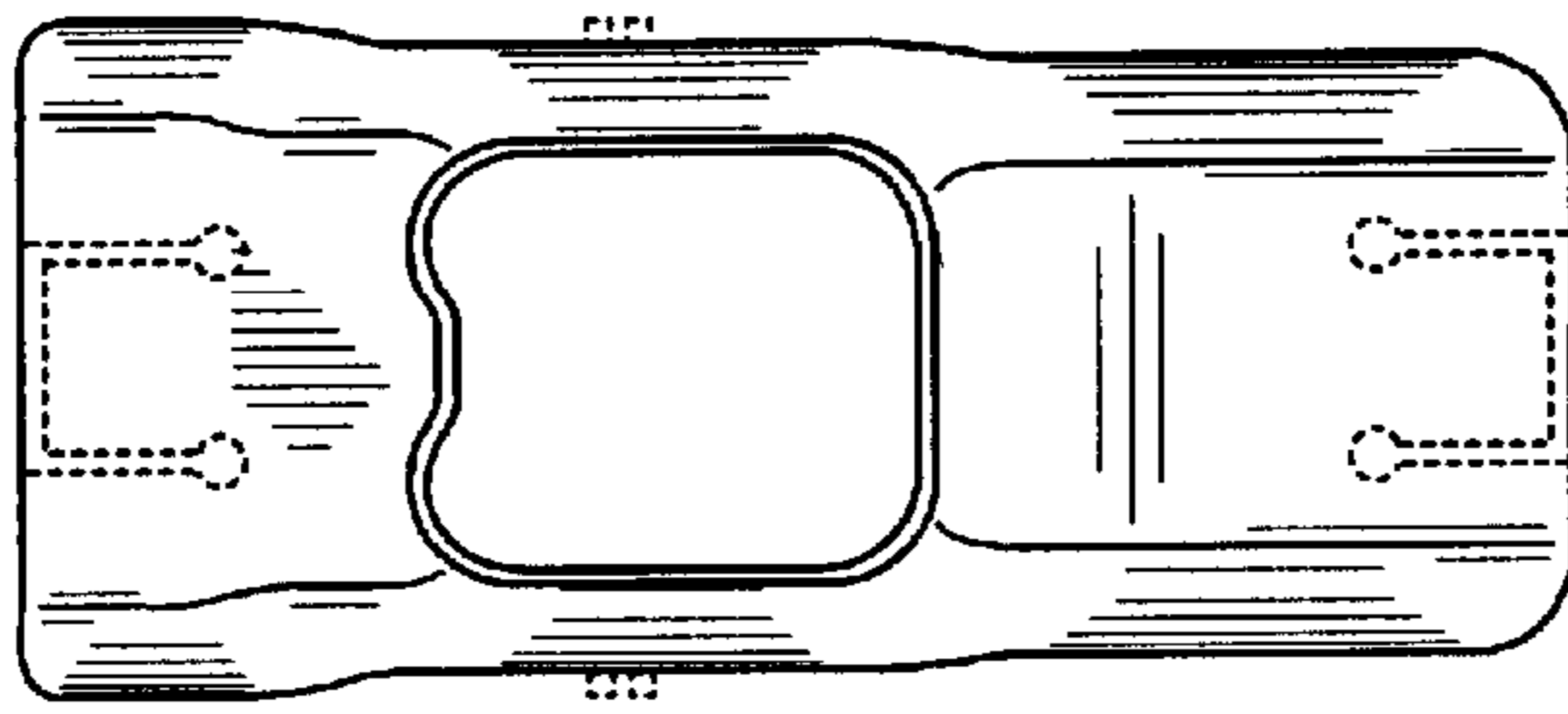


FIG. 5

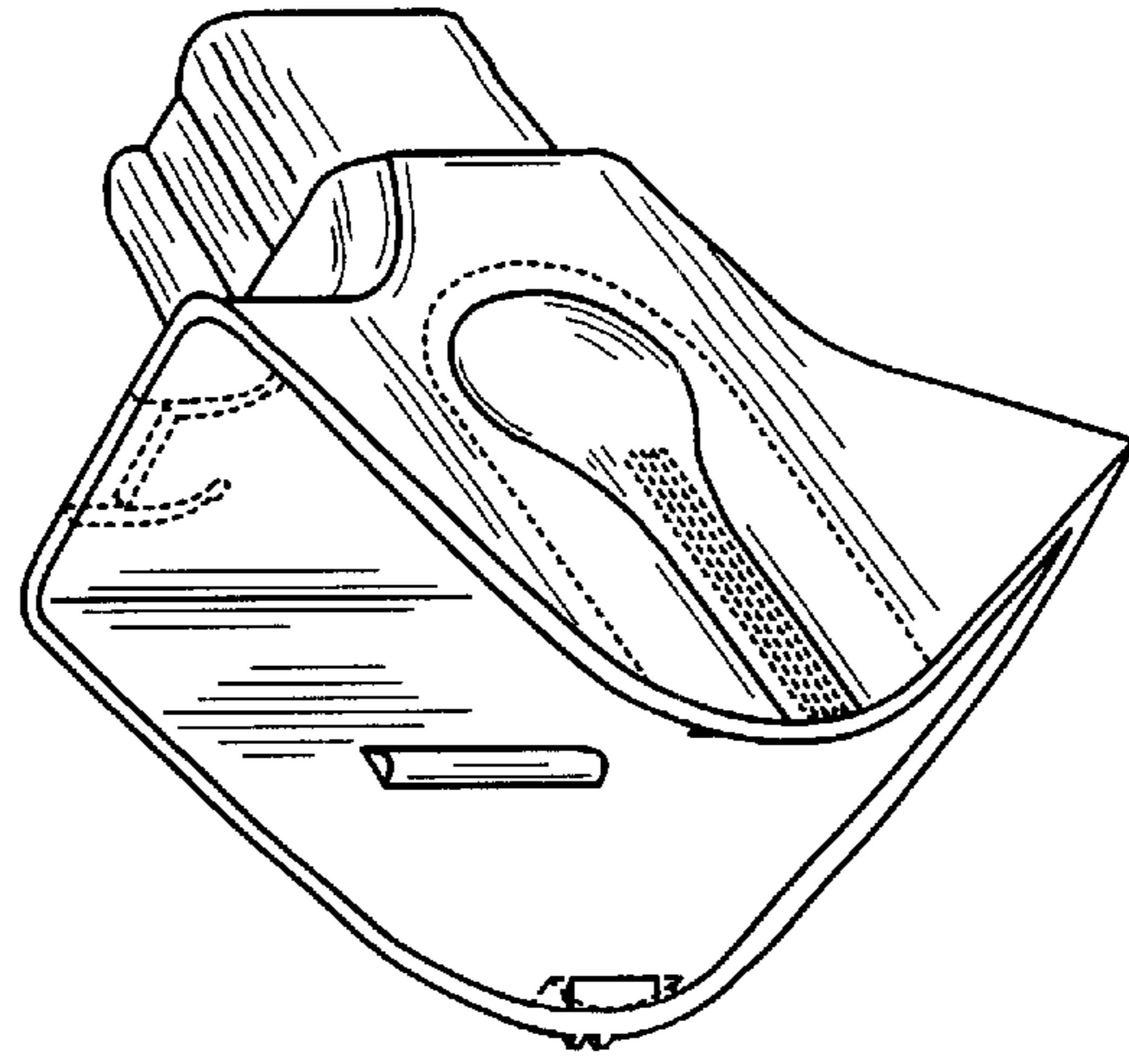


FIG. 1

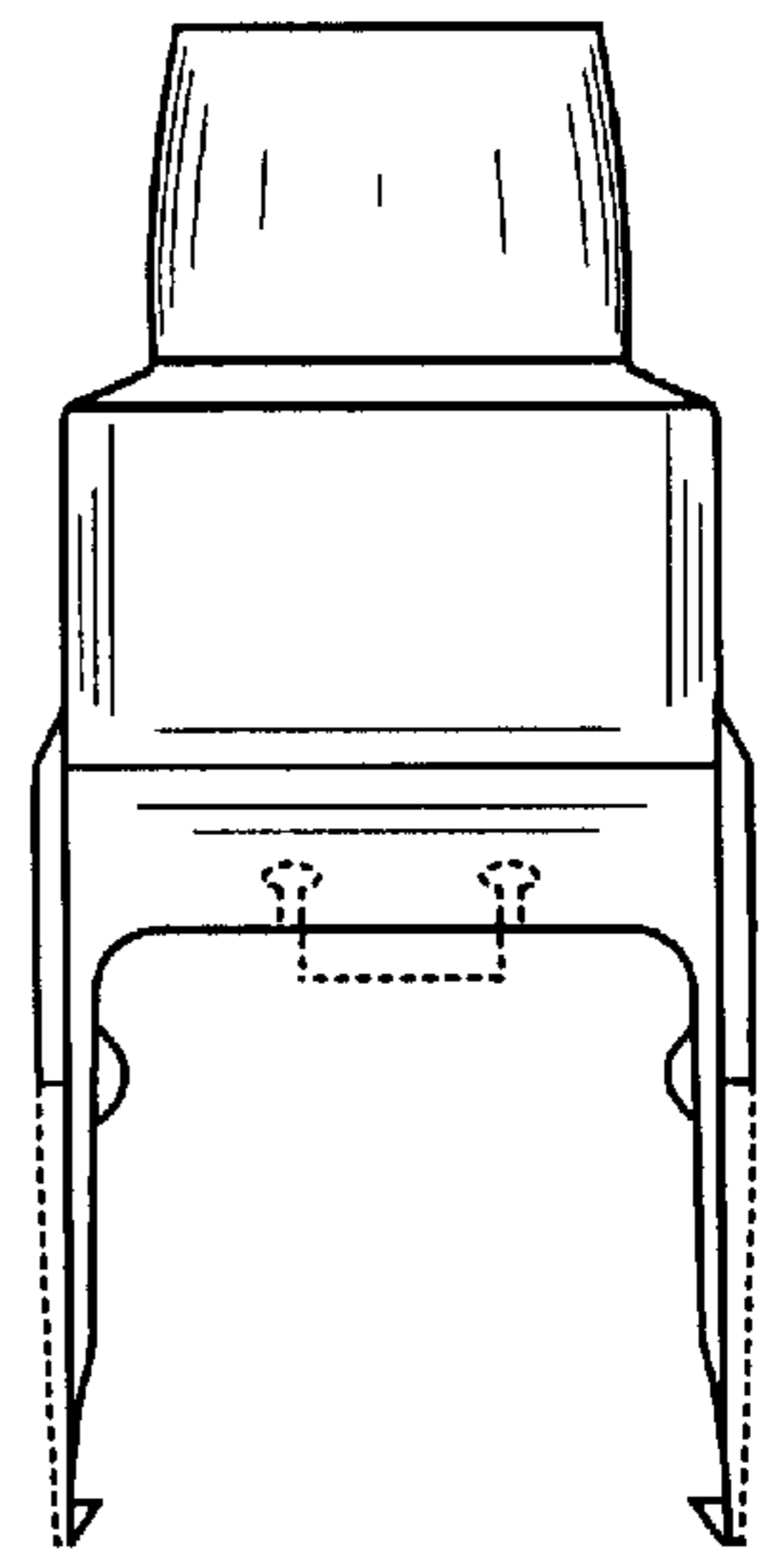


FIG. 4