



US00D453960S

(12) **United States Design Patent**
Shelby et al.

(10) **Patent No.:** **US D453,960 S**

(45) **Date of Patent:** **** Feb. 26, 2002**

(54) **SHROUD FOR A FAN ASSEMBLY**

(75) Inventors: **Richard R. Shelby**, South Elgin;
Ling-Zhong Zeng, Lake in the Hills,
both of IL (US)

(73) Assignee: **Molded Products Company**, Haltom
City, TX (US)

(**) Term: **14 Years**

(21) Appl. No.: **29/136,367**

(22) Filed: **Jan. 30, 2001**

(51) **LOC (7) Cl.** **23-04**

(52) **U.S. Cl.** **D23/411**

(58) **Field of Search** D23/412, 411,
D23/382; 415/173.1, 121.1; 416/247 R,
189, 190

(56) **References Cited**

U.S. PATENT DOCUMENTS

- 4,685,513 A * 8/1987 Longhouse et al. 416/190
- 4,836,148 A * 6/1989 Savage et al. 415/173.1
- 6,071,078 A * 6/2000 Schlegel et al. 416/247

* cited by examiner

Primary Examiner—Lisa Lichtenstein

(74) *Attorney, Agent, or Firm*—Michael Best & Friedrich
LLP

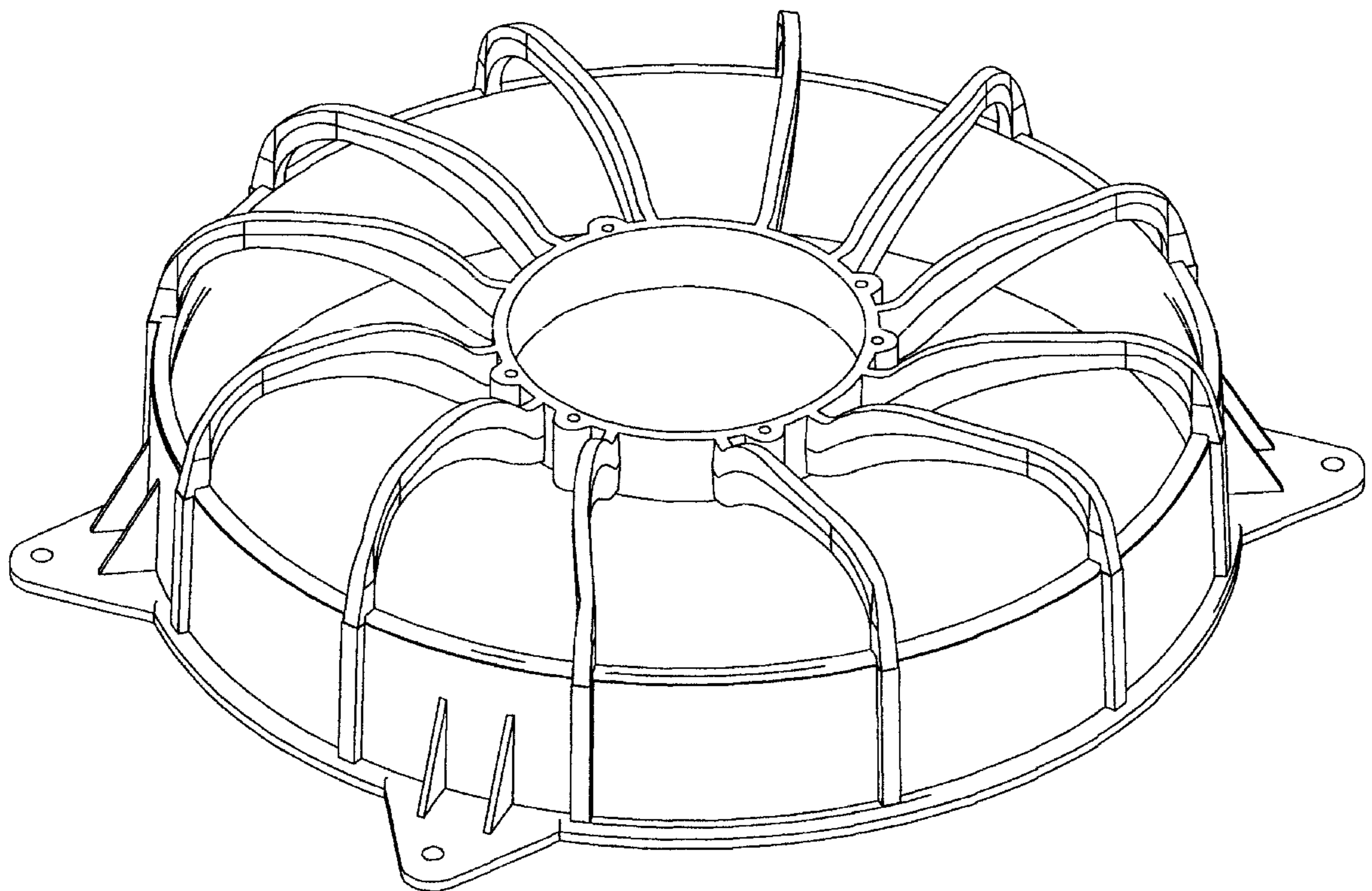
(57) **CLAIM**

The ornamental design for a shroud for a fan assembly, as
shown and described.

DESCRIPTION

FIG. 1 is an isometric view of the top of a shroud for a fan
assembly showing our new design;
FIG. 2 is an isometric view of the bottom of the shroud for
a fan assembly;
FIG. 3 is a top plan view thereof;
FIG. 4 is a bottom plan view thereof;
FIG. 5 is an enlarged right side view relative to FIG. 3
thereof;
FIG. 6 is an enlarged left side view relative to FIG. 3
thereof;
FIG. 7 is an enlarged back side view relative to FIG. 3
thereof; and,
FIG. 8 is an enlarged front side view relative to FIG. 3
thereof.

1 Claim, 8 Drawing Sheets



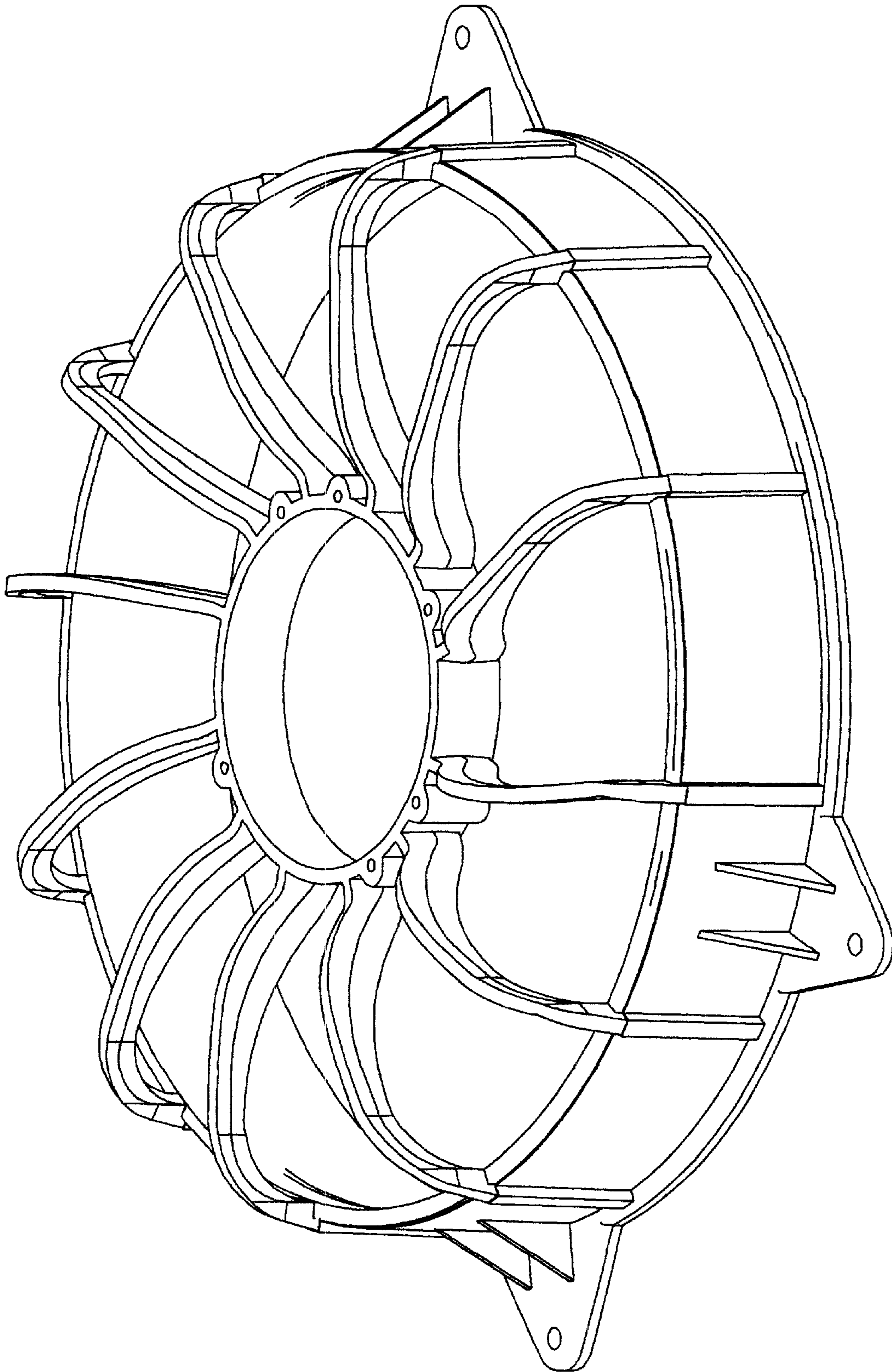


FIG. 1

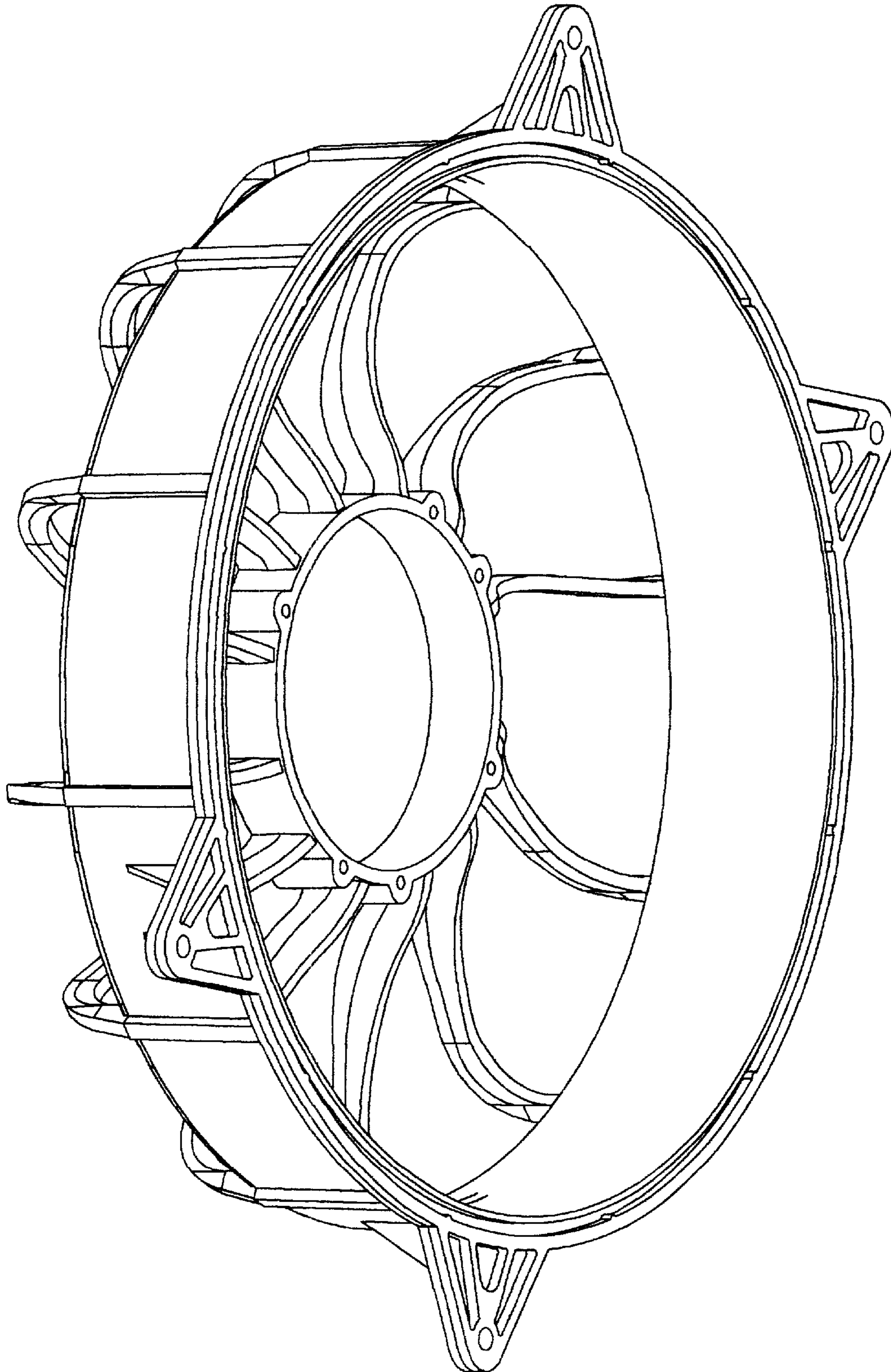


FIG. 2

FIG. 3

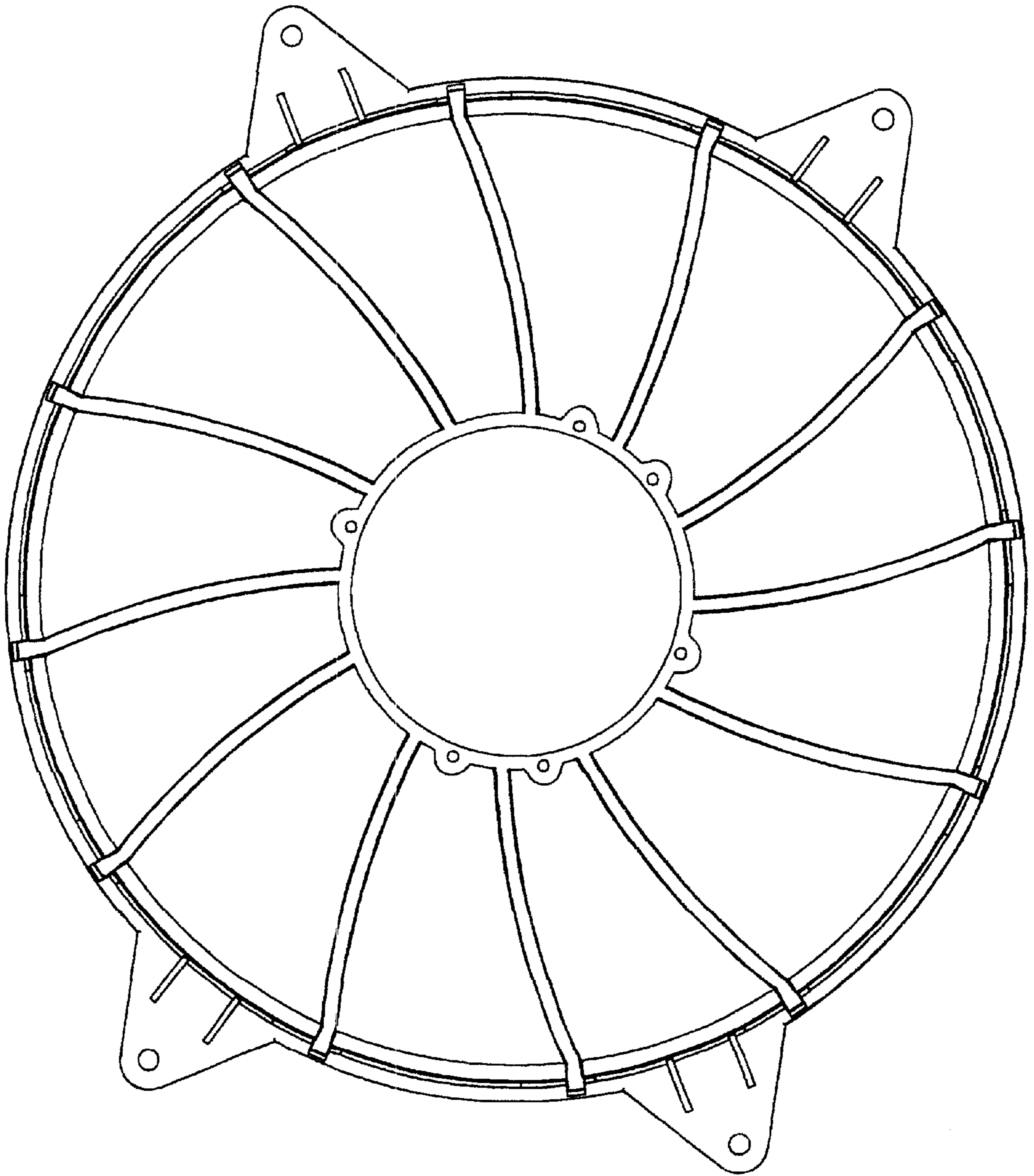
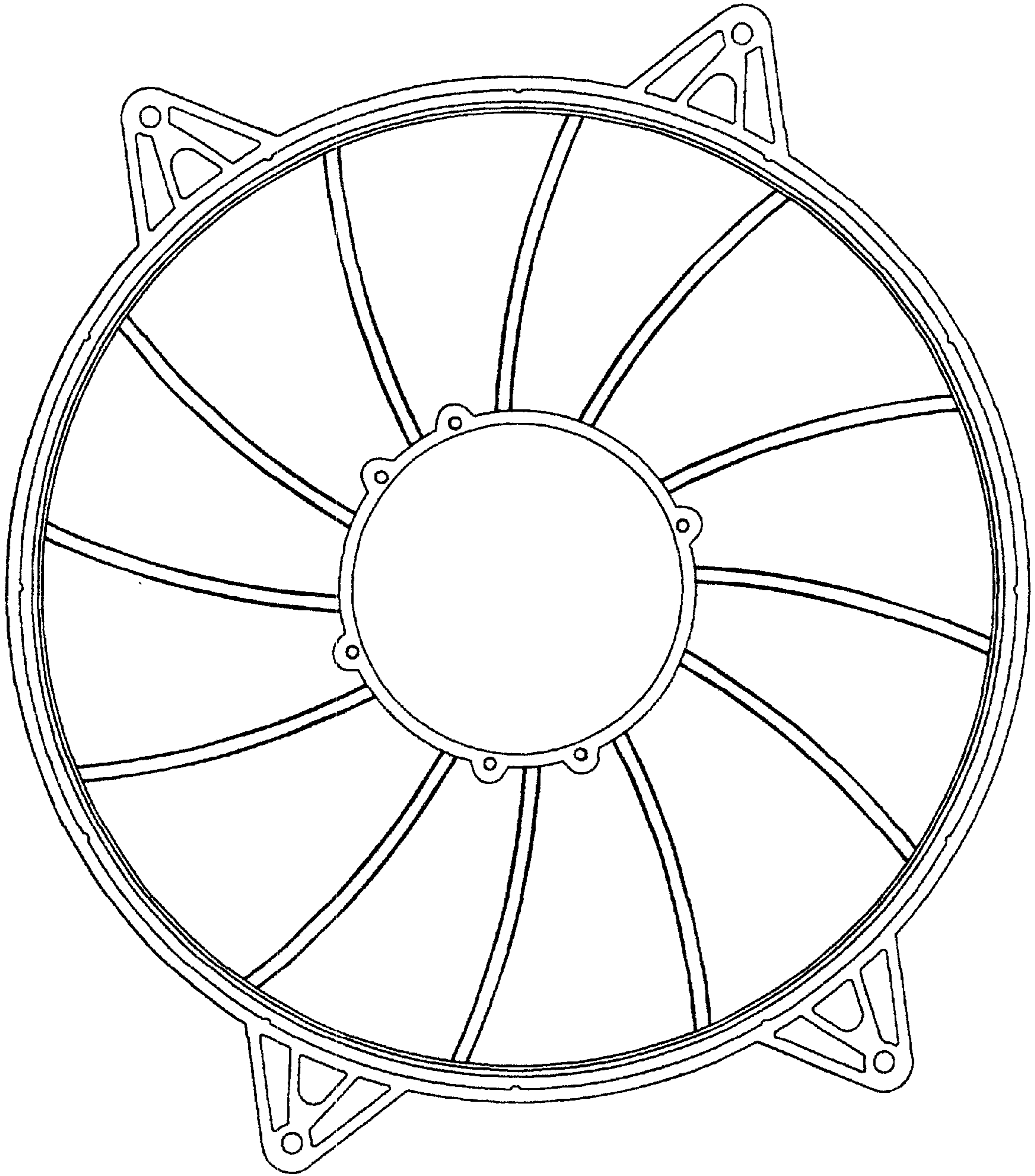


FIG. 4



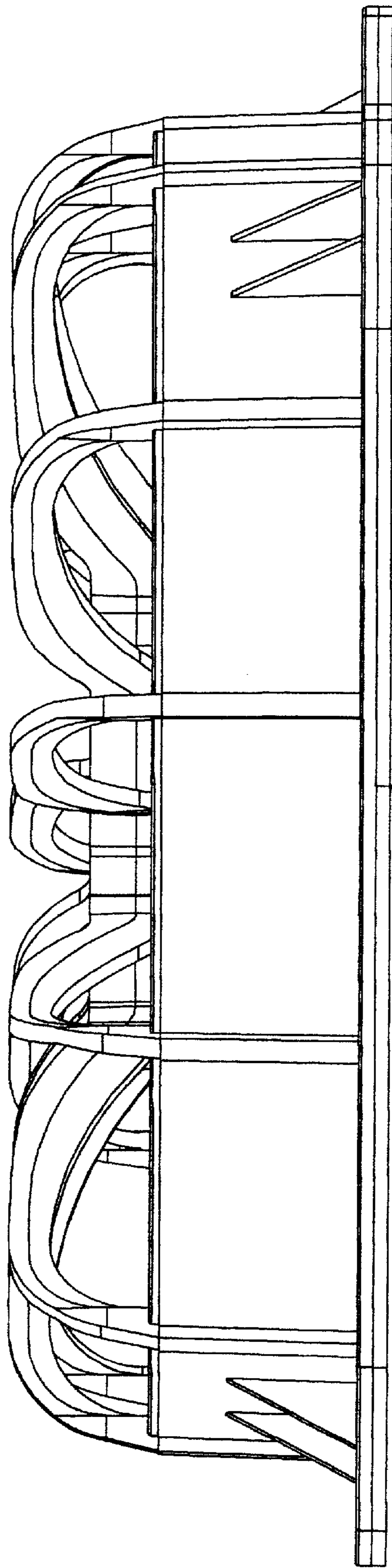


FIG. 5

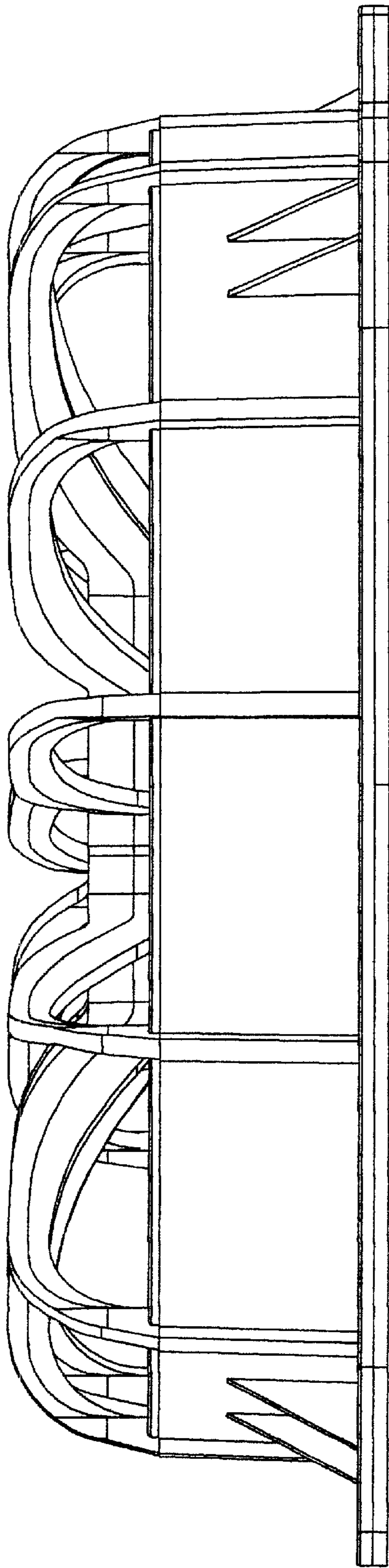


FIG. 6

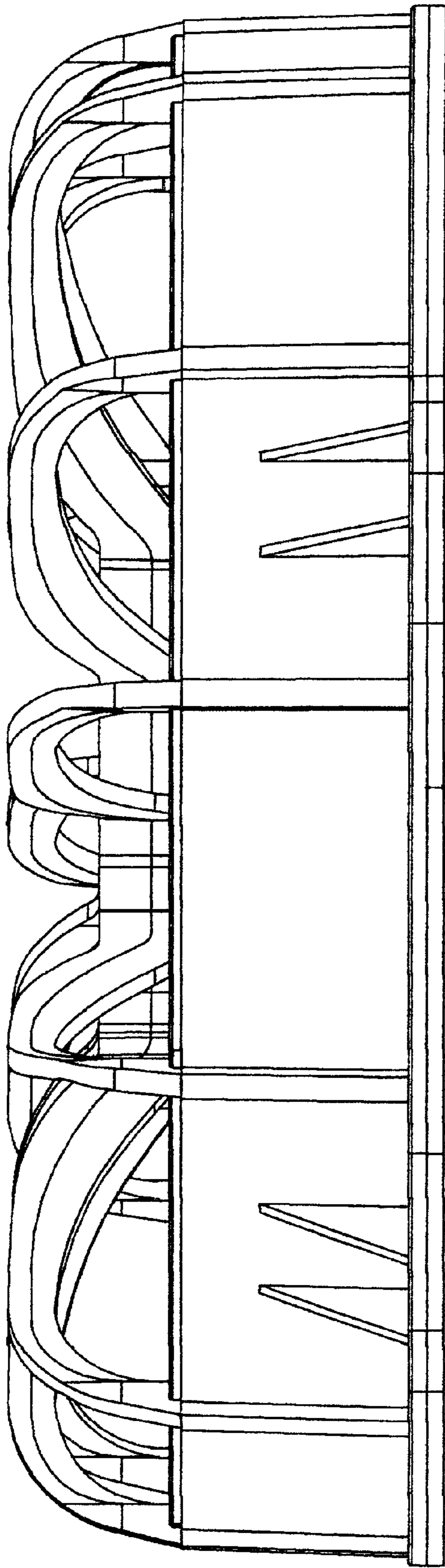


FIG. 7

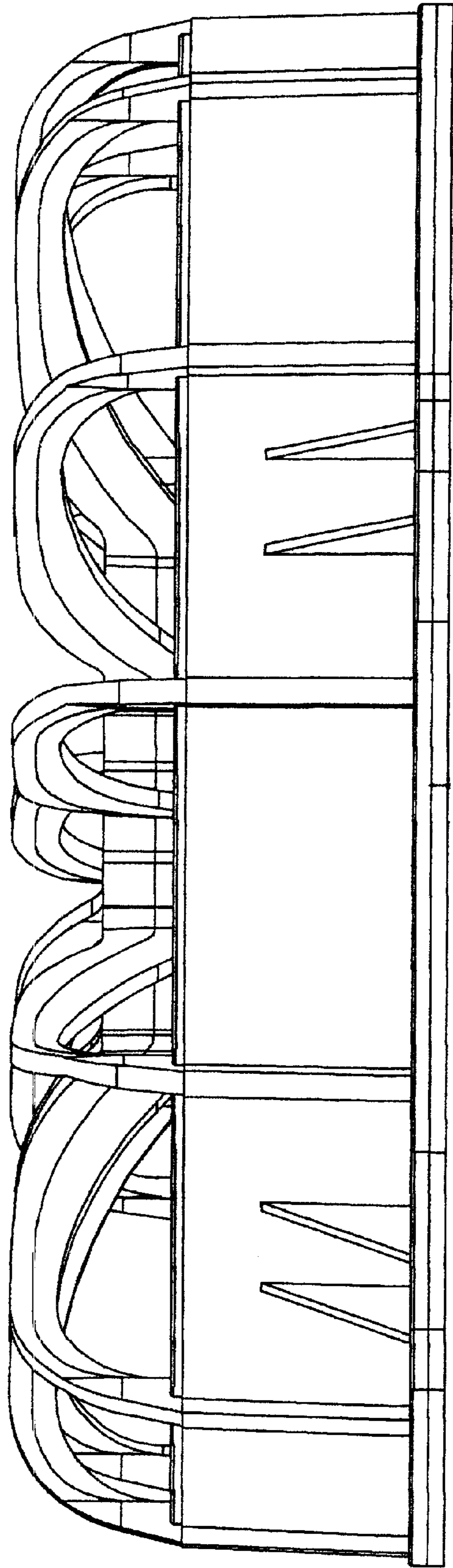


FIG. 8