



US00D453957S

(12) **United States Design Patent**  
**Oya et al.**

(10) **Patent No.:** **US D453,957 S**

(45) **Date of Patent:** **\*\* Feb. 26, 2002**

(54) **AIR CONDITIONER**

(75) Inventors: **Hiroshi Oya; Yoshimi Okamoto; Toru Fujisawa; Hideki Oba; Akira Otsuki**, all of Gunma-ken (JP)

(73) Assignee: **Sanyo Electric Co., Ltd.**, Osaka-fu (JP)

(\*\*) Term: **14 Years**

(21) Appl. No.: **29/142,736**

(22) Filed: **May 31, 2001**

(51) **LOC (7) Cl.** ..... **23-04**

(52) **U.S. Cl.** ..... **D23/353**

(58) **Field of Search** ..... D23/351, 352, D23/353, 354; 312/236; 454/201, 202, 204, 350, 354; 62/259.1, 259.4, 262, 263, 304, 298

(56) **References Cited**

**U.S. PATENT DOCUMENTS**

- D415,830 S \* 10/1999 Kawata
- 5,971,505 A \* 10/1999 Zamora
- D417,724 S \* 12/1999 Okamoto et al.
- D426,877 S \* 6/2000 Kawata
- D433,492 S \* 11/2000 Oya et al.
- 6,205,807 B1 \* 3/2001 Rigios et al.

**OTHER PUBLICATIONS**

“SANYO Packaged Terminal Air Conditioners & Heat Pumps,” STW-series, one-page color product informations leaflet of SANYO, undated.

\* cited by examiner

*Primary Examiner*—B. J. Bullock

(74) *Attorney, Agent, or Firm*—Weingarten, Schurgin, Gagnebin & Lebovici LLP

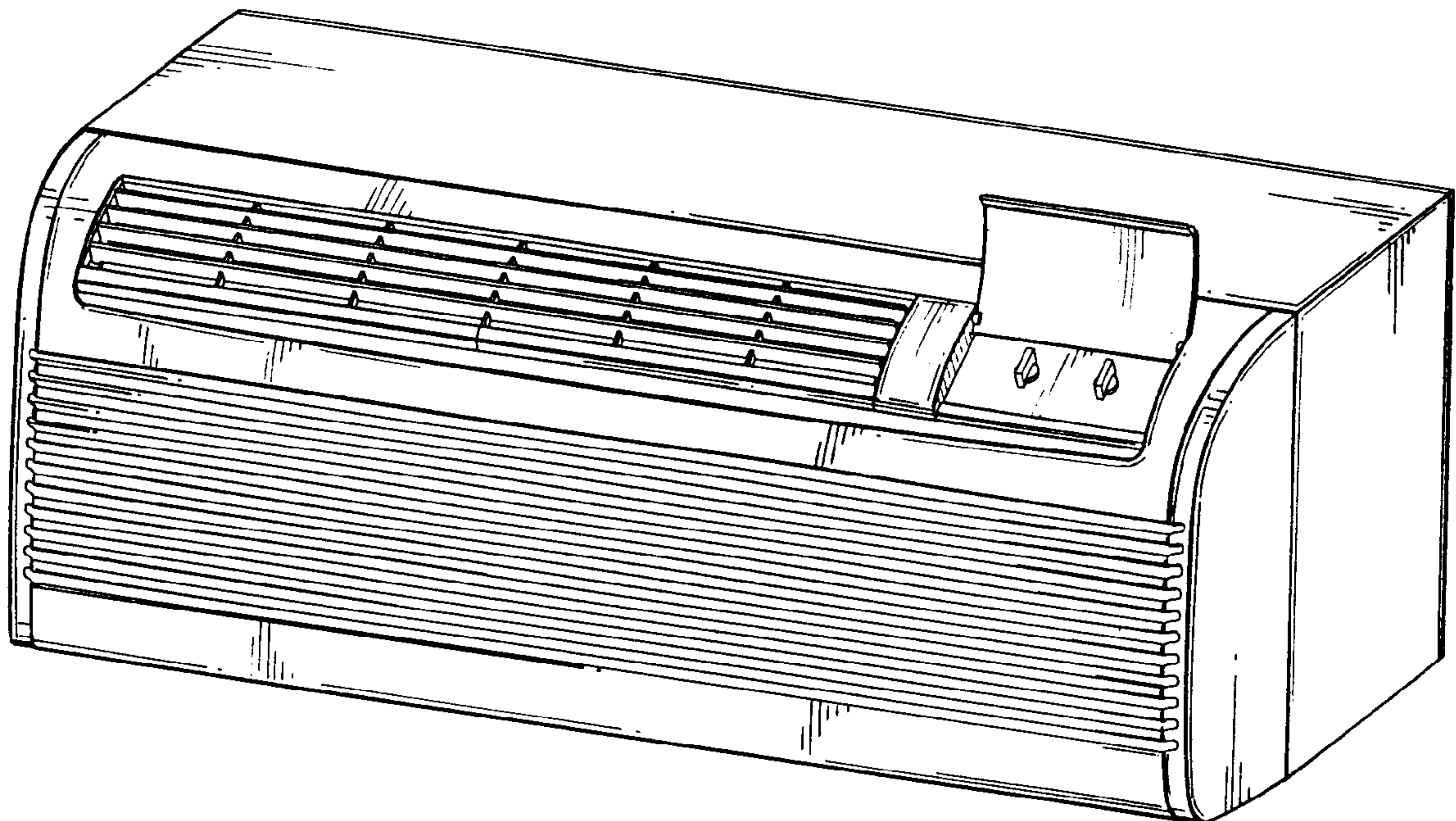
(57) **CLAIM**

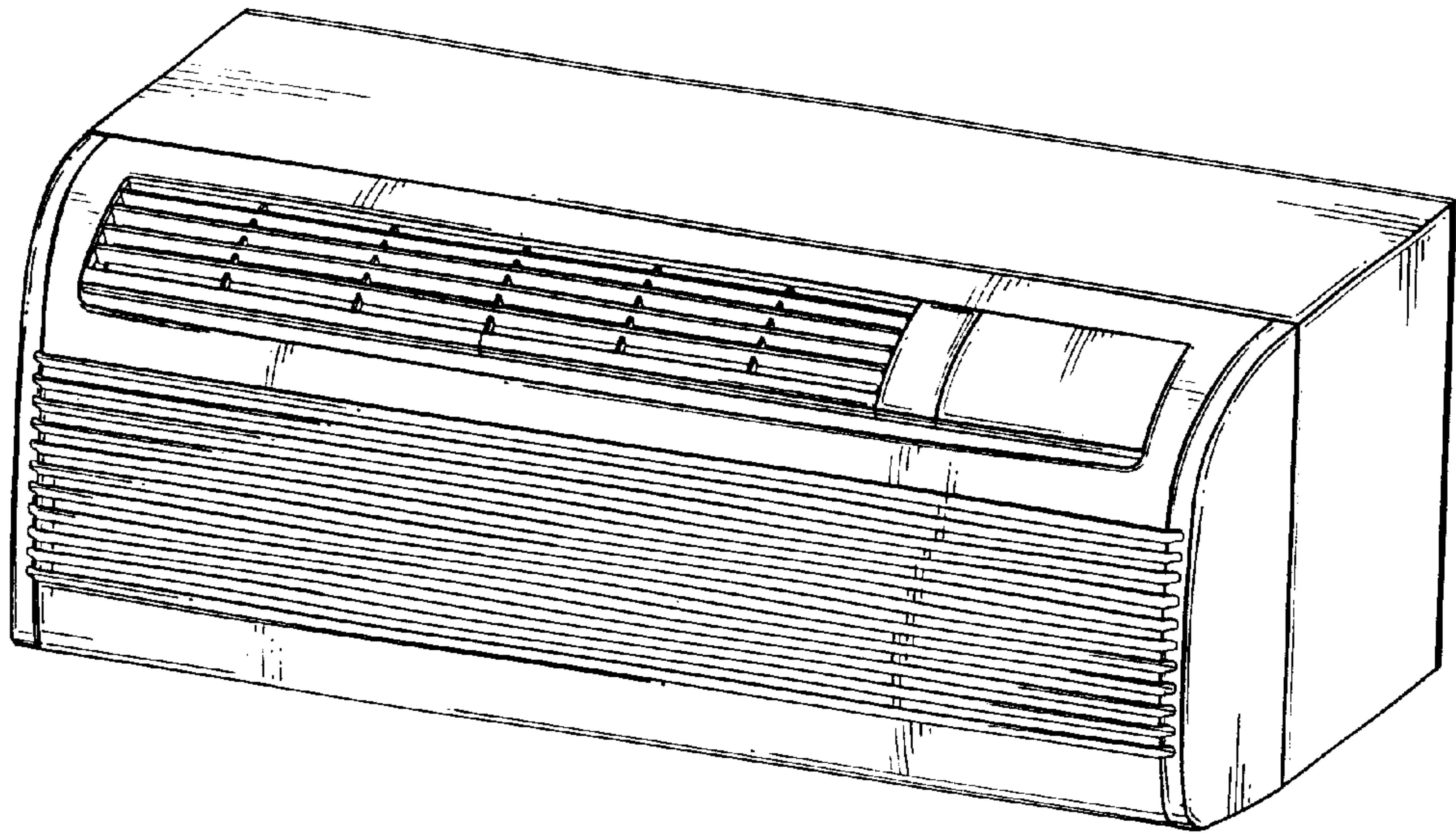
The ornamental design for an air conditioner, as shown and described.

**DESCRIPTION**

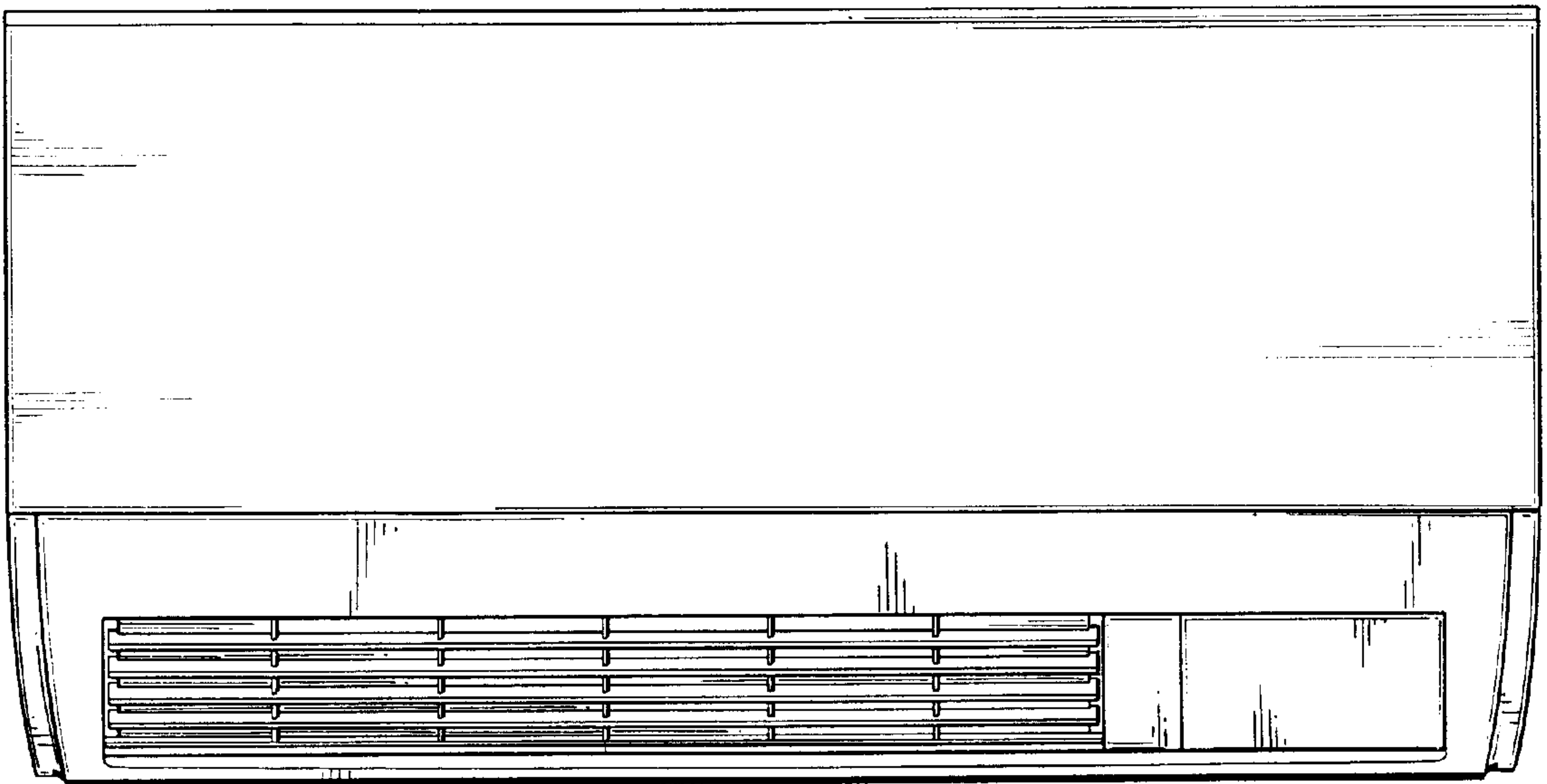
FIG. 1 is a perspective view of the air conditioner, looking from the upper right-side direction thereof;  
 FIG. 2 is a top view thereof;  
 FIG. 3 is a front view thereof;  
 FIG. 4 is a rear view thereof;  
 FIG. 5 is a right-side view thereof;  
 FIG. 6 is a bottom view thereof; and,  
 FIG. 7 is a perspective view of the air conditioner showing the cover in the position.  
 FIGS. 2-7 are shown on an enlarged scale.

**1 Claim, 4 Drawing Sheets**

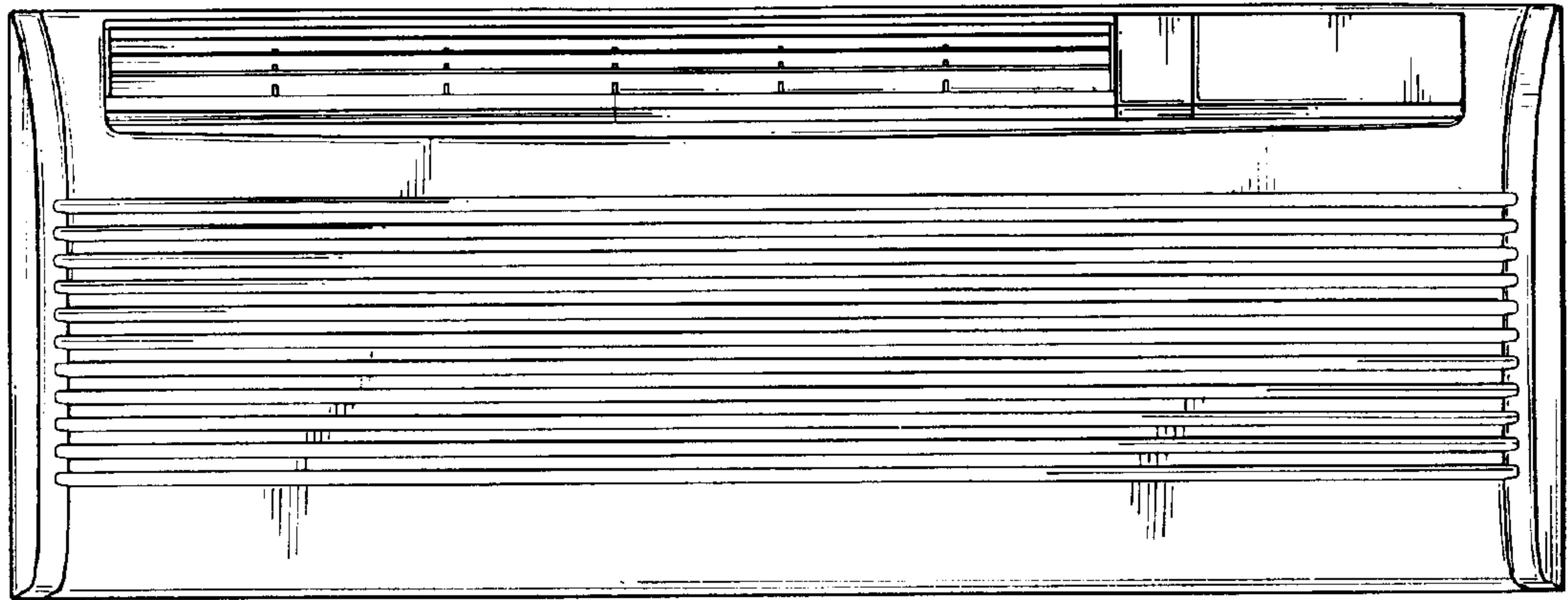




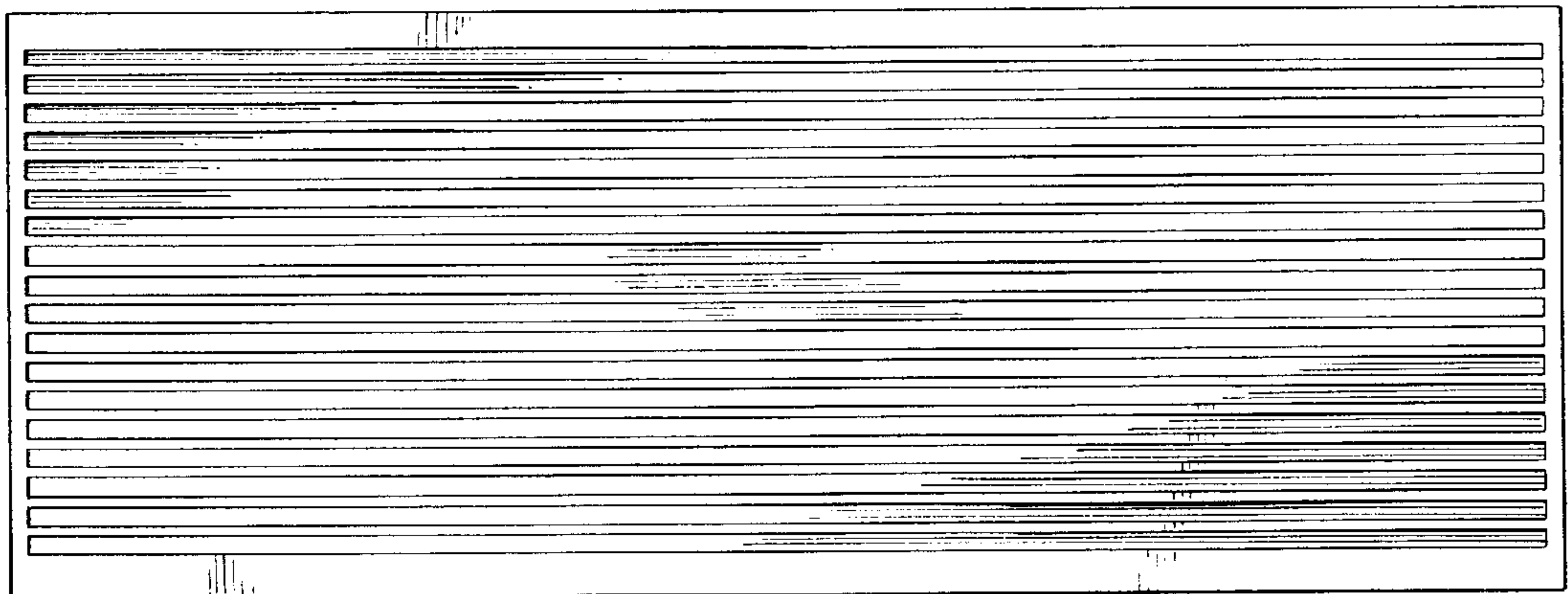
**Fig. 1**



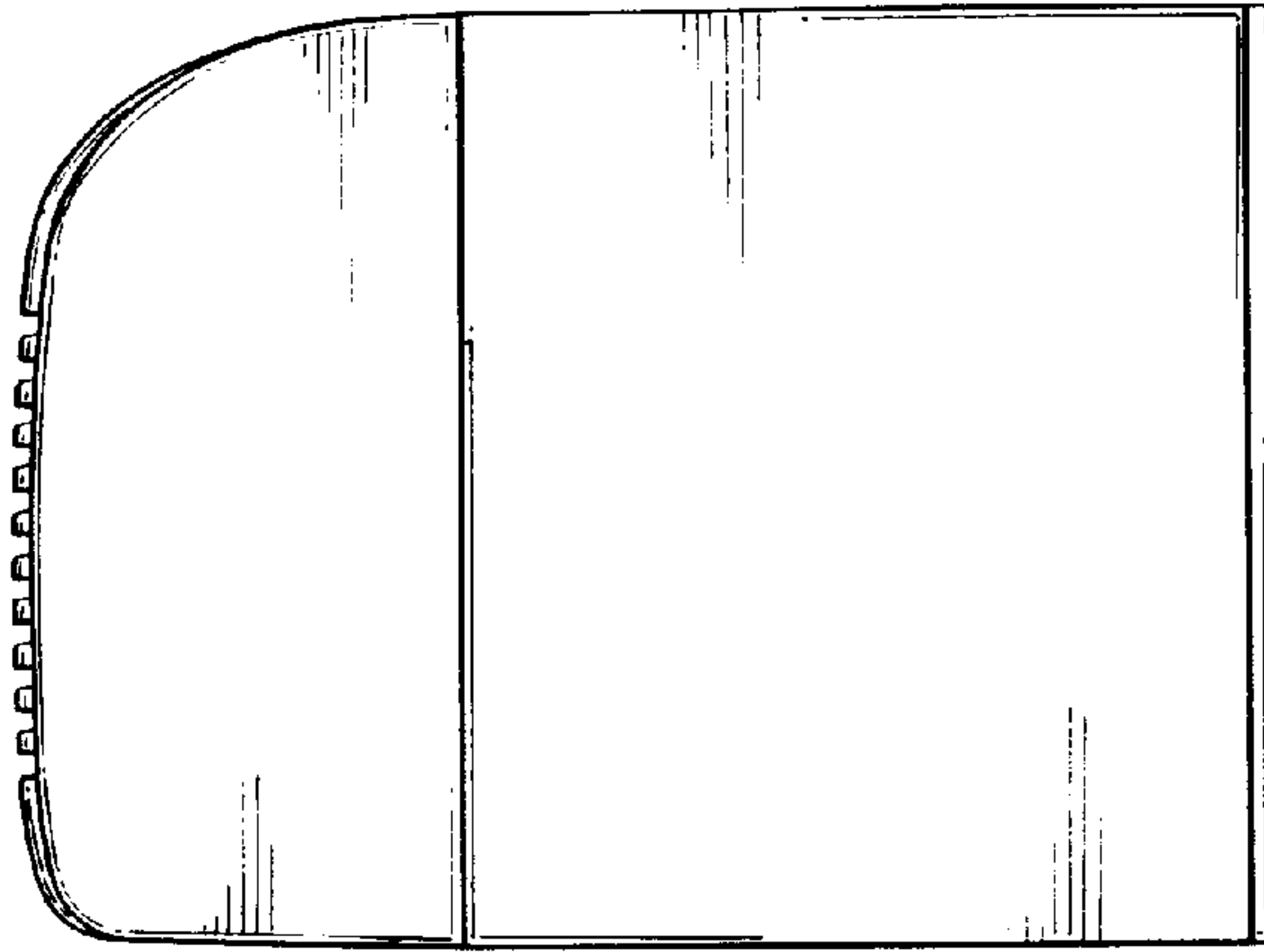
**Fig. 2**



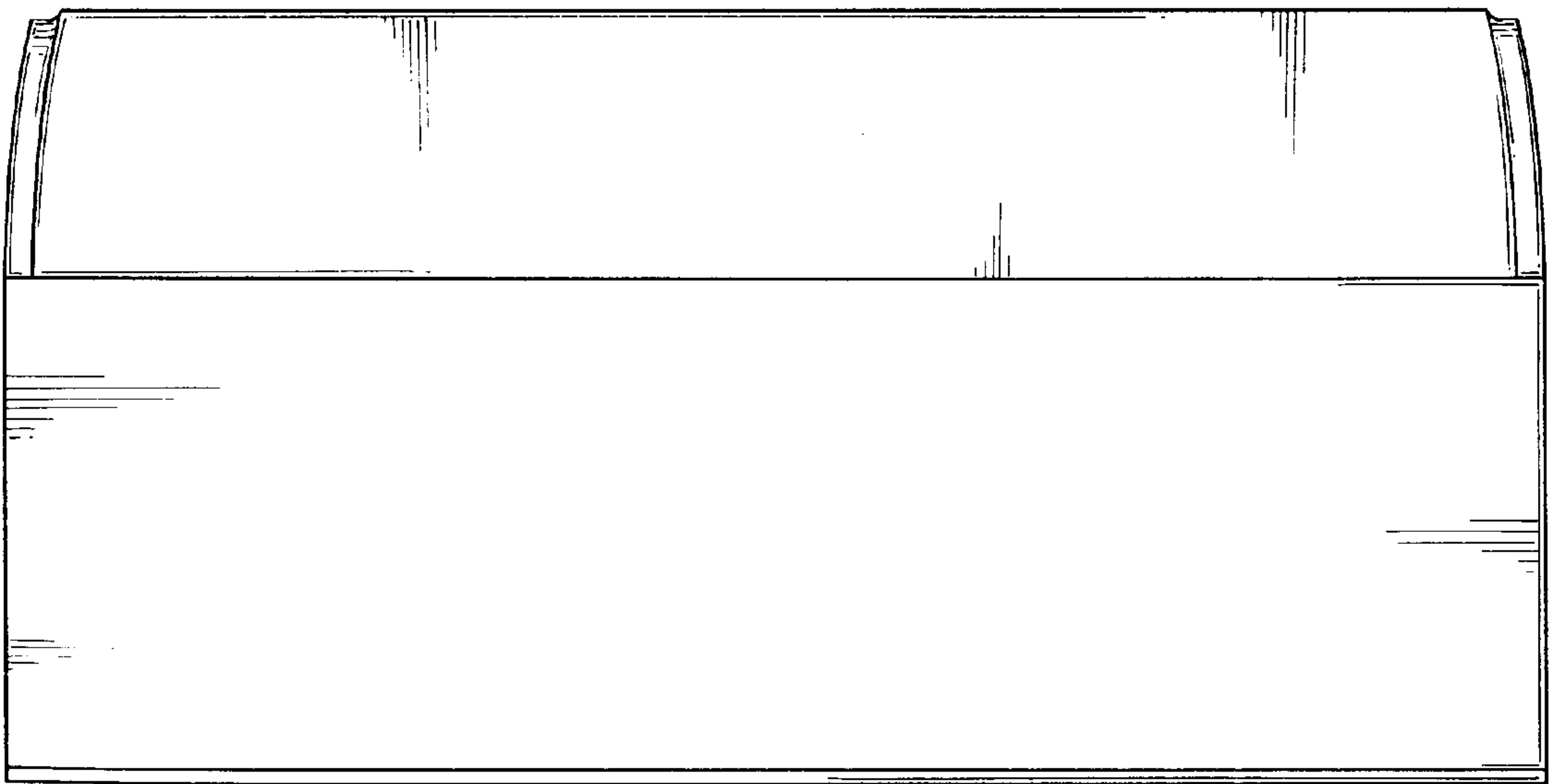
**Fig. 3**



**Fig. 4**

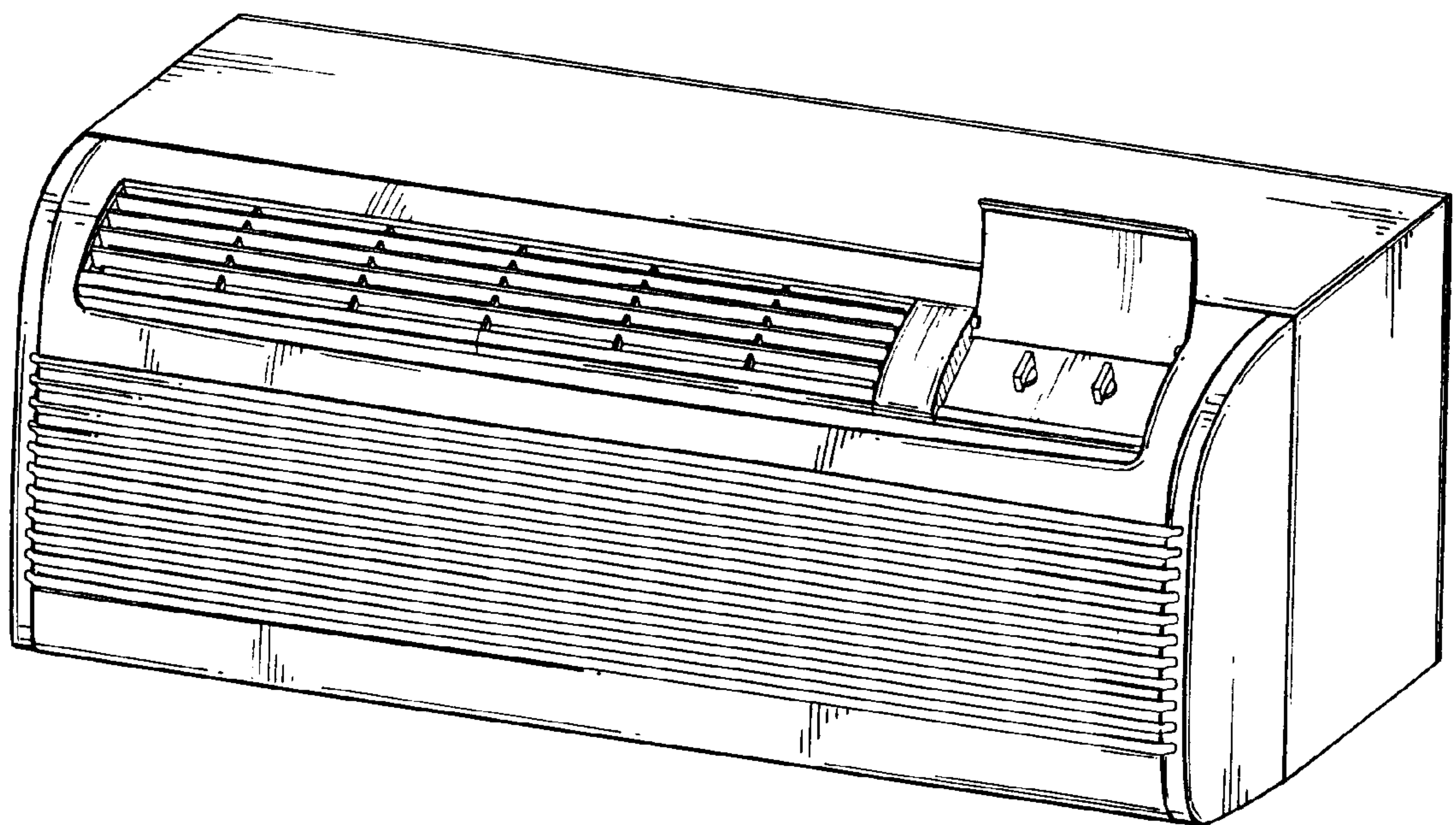


**Fig. 5**



**Fig. 6**





**Fig. 7**