



US00D453956S

(12) **United States Design Patent**
Elsner

(10) **Patent No.:** **US D453,956 S**

(45) **Date of Patent:** **** Feb. 26, 2002**

(54) **BASE FOR ELEVATING A TOILET**

D372,076 S * 7/1996 White D23/304
D421,645 S * 3/2000 Karnoski D23/309

(76) Inventor: **John G. Elsner**, 11315 Sylvan Green
La., Riverview, FL (US) 33569

* cited by examiner

(**) Term: **14 Years**

Primary Examiner—Louis S. Zarfes
Assistant Examiner—Robert A. Delehanty
(74) *Attorney, Agent, or Firm*—Richard L. Miller

(21) Appl. No.: **29/132,962**

(22) Filed: **Jul. 5, 2000**

(57) **CLAIM**

(51) **LOC (7) Cl.** **23-02**

The ornamental design for: base for elevating a toilet, as shown and described.

(52) **U.S. Cl.** **D23/309**

(58) **Field of Search** D23/303, 304,
D23/309–310; 4/667, 300, 420, 452.1, 902,
DIG. 15, 252.4, 254

DESCRIPTION

(56) **References Cited**

U.S. PATENT DOCUMENTS

D52,059 S	*	5/1918	Lukomski	D23/309 X
3,360,805 A	*	1/1968	Aumann	4/252.4
3,896,510 A		7/1975	O'Connell	4/252 R
4,014,053 A	*	3/1977	Jones	4/252.4
4,144,597 A		3/1979	Guenther et al.	4/254
4,515,398 A		5/1985	Machon, Sr.	285/59
4,554,689 A	*	11/1985	Segler	4/254
4,631,759 A		12/1986	Strasser	4/252 R
4,794,653 A		1/1989	Strasser	4/252 R
5,303,430 A		4/1994	Fernie et al.	4/254

FIG. 1 is a bottom side perspective view showing my new design for a base for elevating a toilet;
FIG. 2 is a bottom plan view shown on a reduced scale thereof;
FIG. 3 is a front elevation view shown on a reduced scale thereof, the rear elevation view being identical;
FIG. 4 is a left side elevation view shown on a reduced scale thereof, the right side elevation view being identical;
FIG. 5 is a top plan view shown on a reduced scale thereof; and,
FIG. 6 is a cross sectional view shown on a reduced scale taken along line 6—6 shown in FIG. 2.

1 Claim, 2 Drawing Sheets

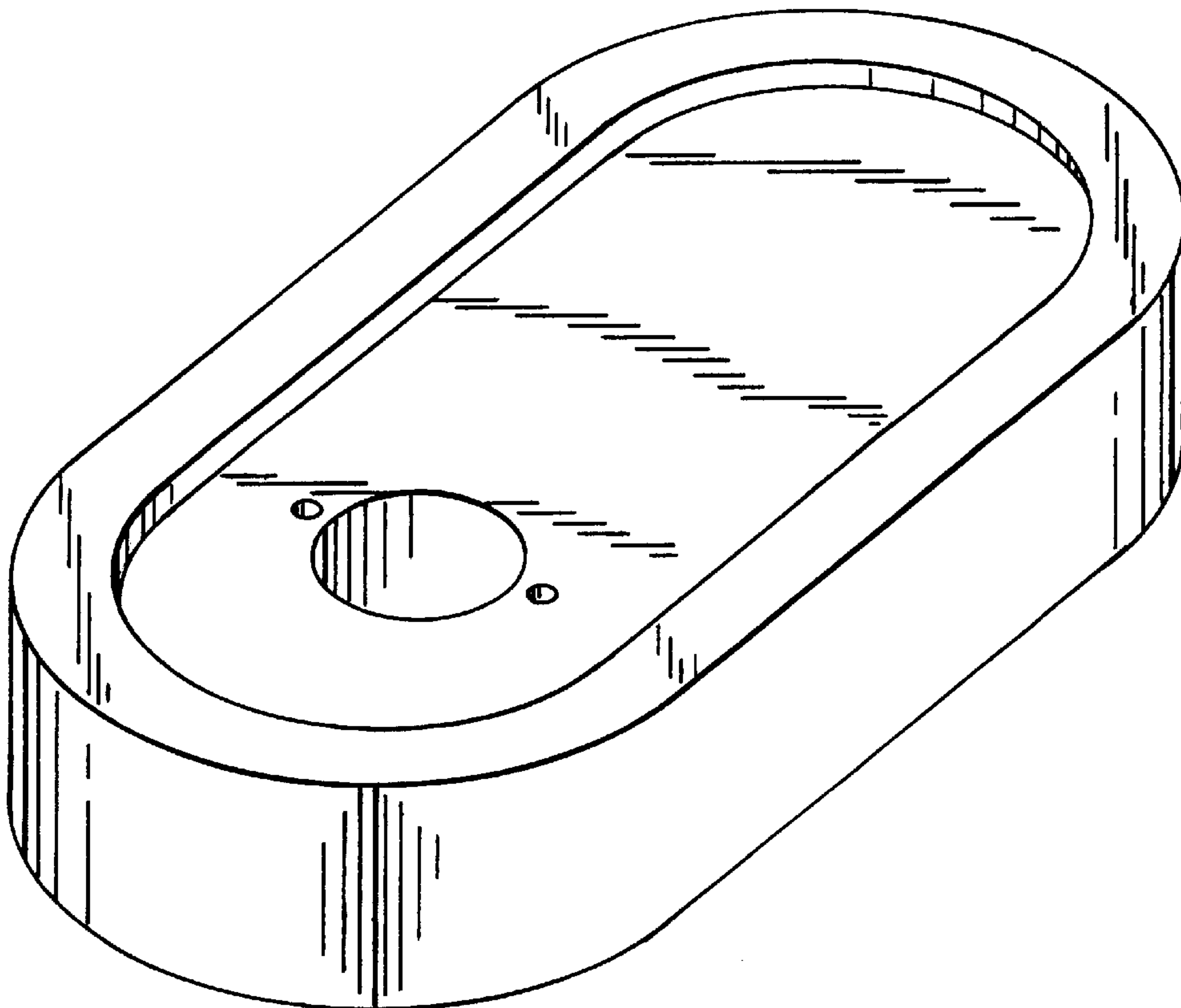


FIG. 1

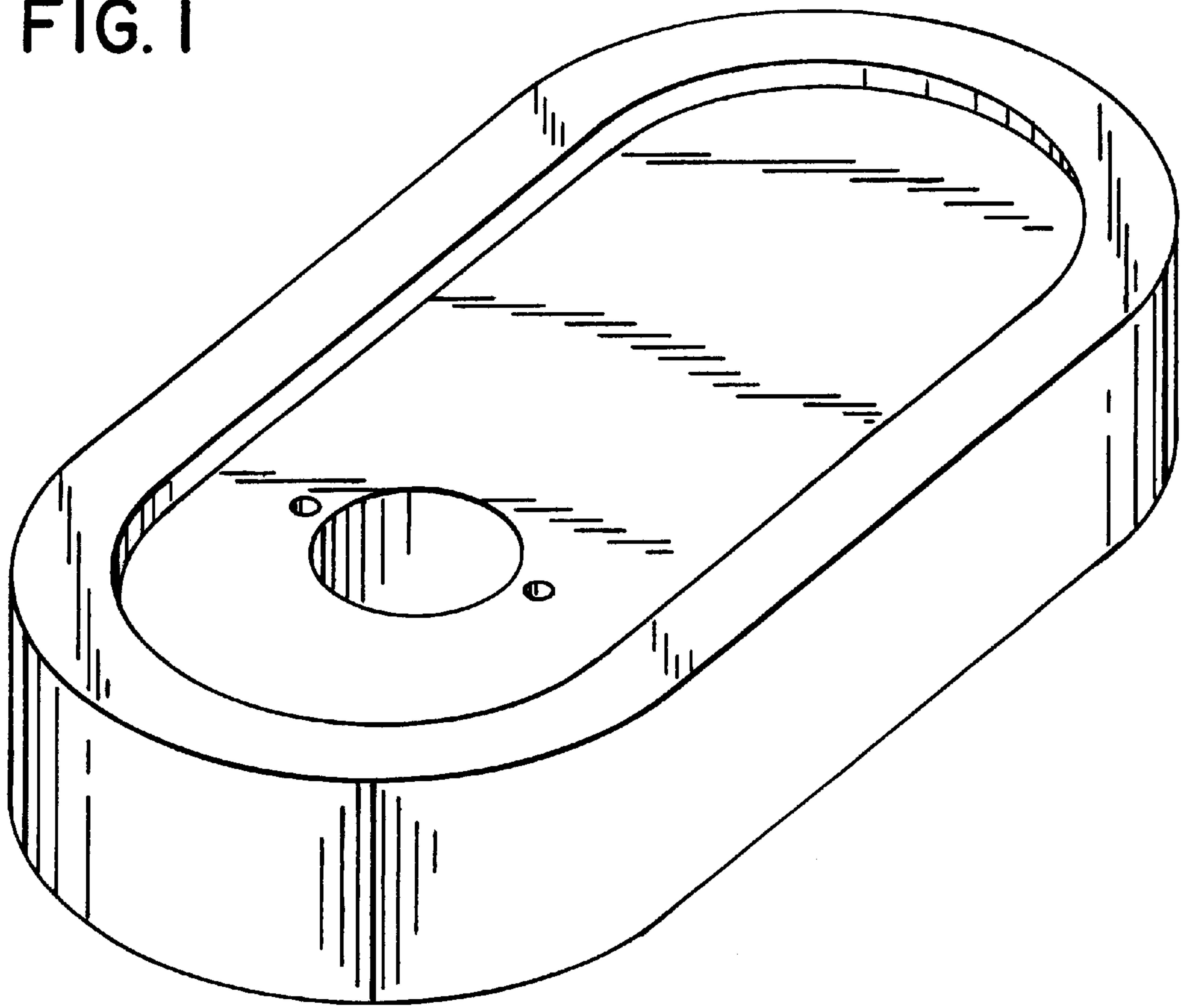


FIG.2

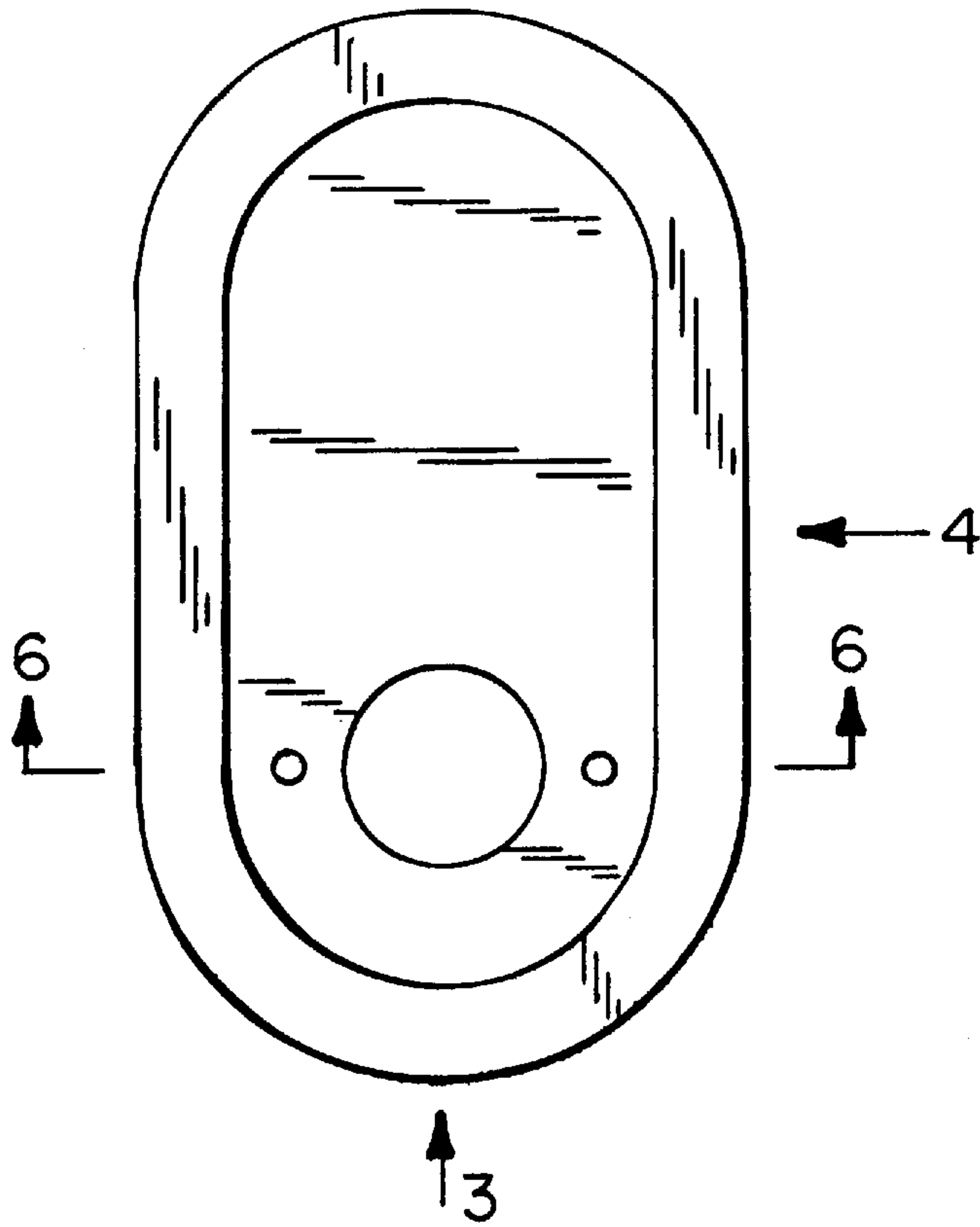


FIG.4

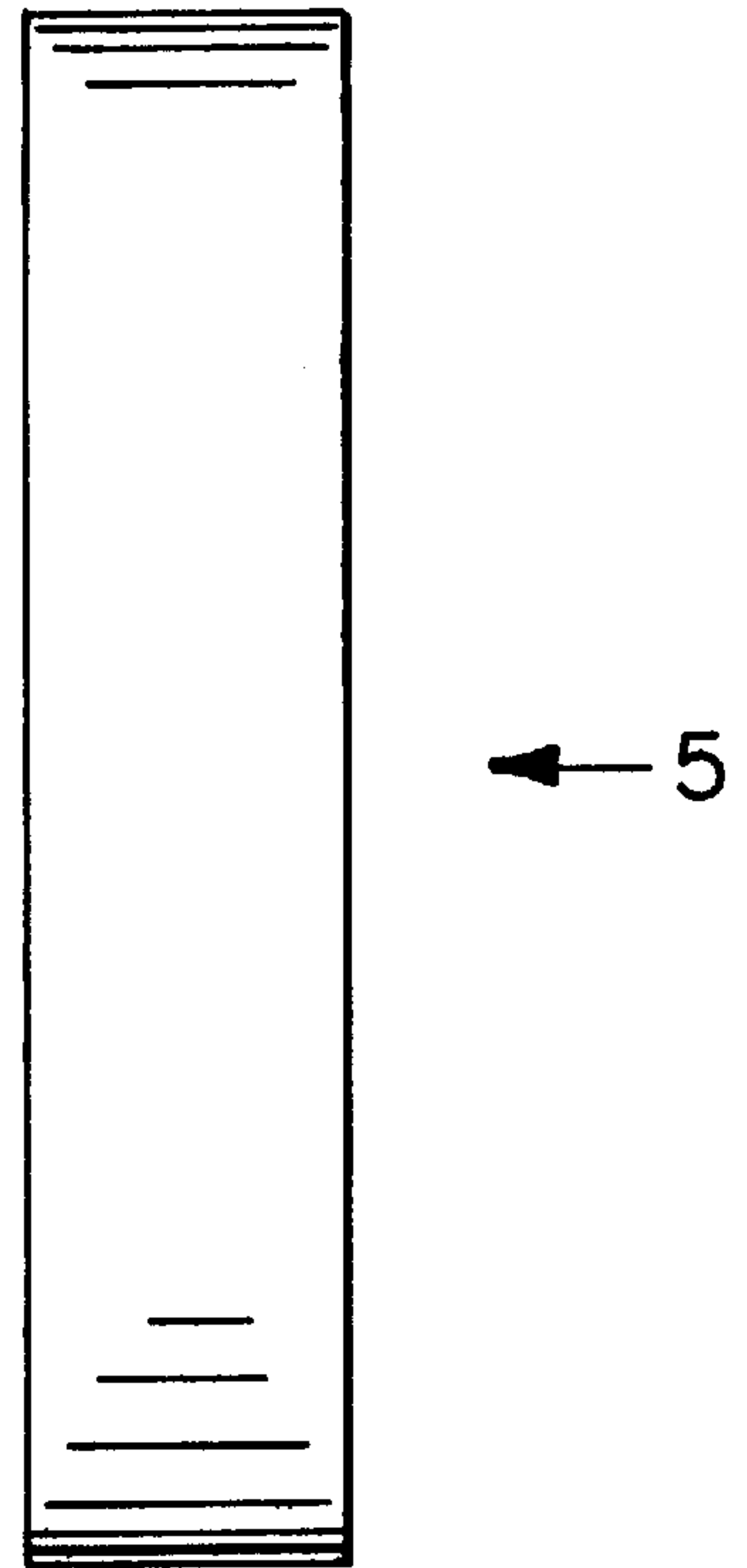


FIG.3

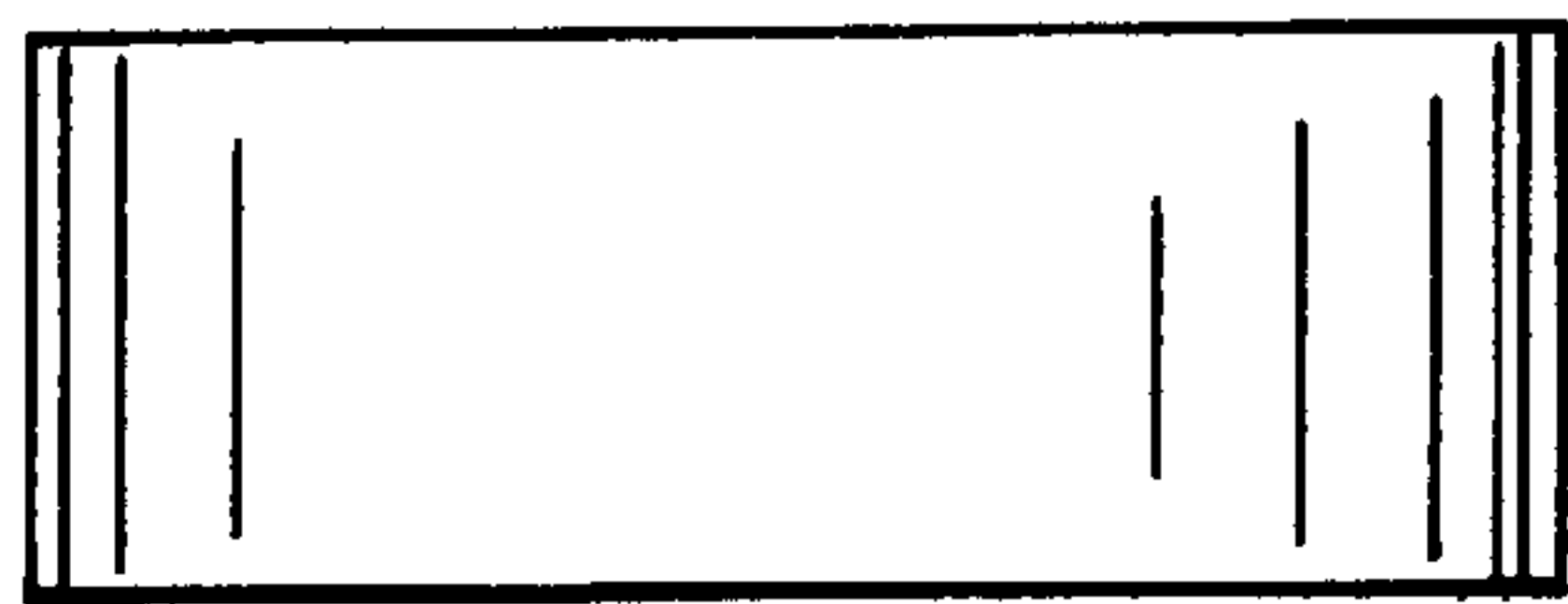


FIG.5

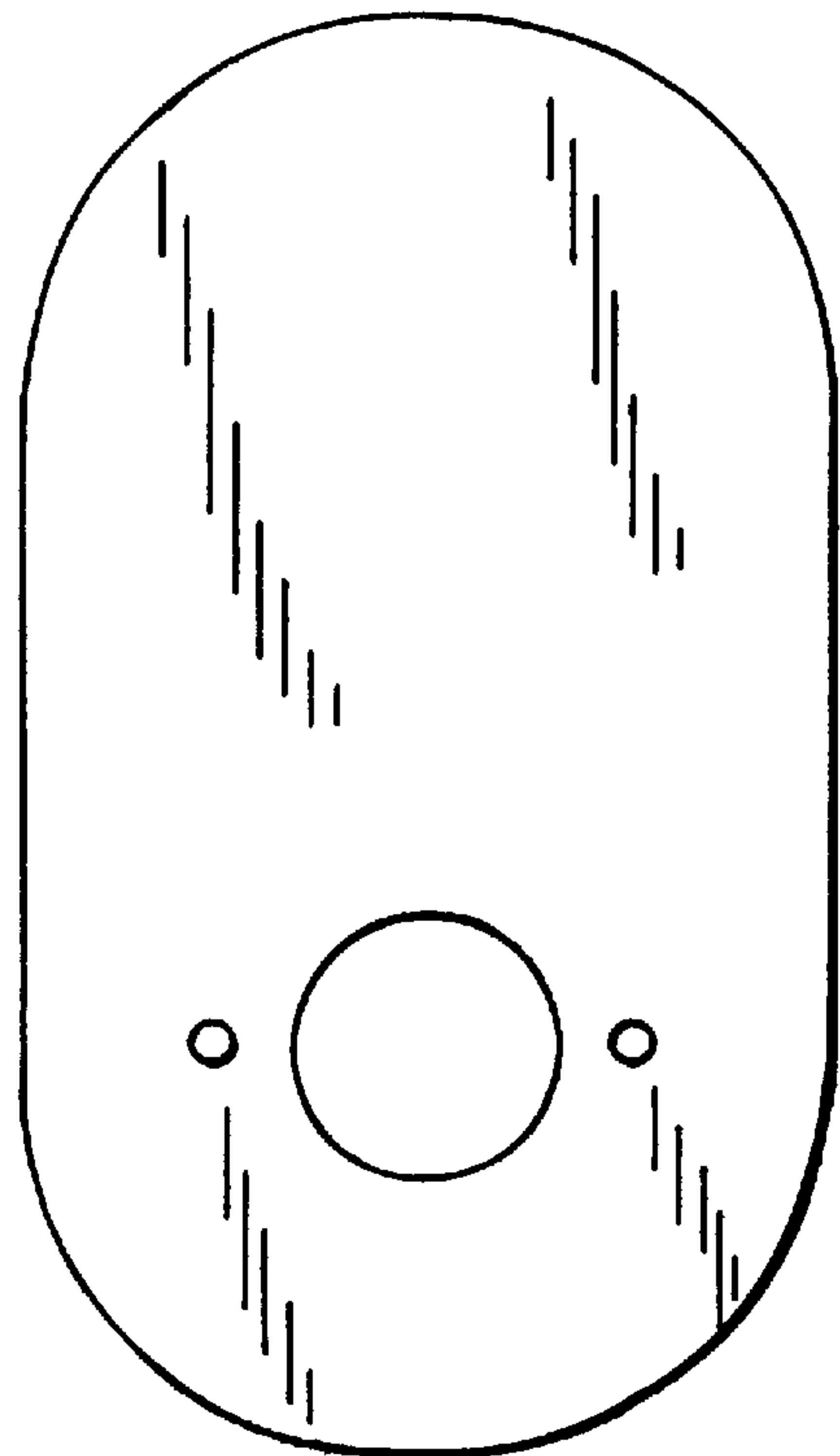


FIG.6

