



US00D453953S

(12) **United States Design Patent**
Pearl

(10) **Patent No.:** **US D453,953 S**

(45) **Date of Patent:** **** Feb. 26, 2002**

(54) **MANIFOLD**

3,827,637 A * 8/1974 Stephany et al. 239/566
D422,680 S * 4/2000 Guo D23/213

(75) Inventor: **Douglas Pearl**, Hollywood, FL (US)

* cited by examiner

(73) Assignee: **Uniweld Products, Inc.**, Fort
Lauderdale, FL (US)

Primary Examiner—Robin V. Taylor
(74) *Attorney, Agent, or Firm*—Niels & Lemack

(**) Term: **14 Years**

(57) **CLAIM**

(21) Appl. No.: **29/136,565**

The ornamental design for a manifold, as shown.

(22) Filed: **Feb. 1, 2001**

DESCRIPTION

(51) **LOC (7) Cl.** **23-01**

(52) **U.S. Cl.** **D23/213; D23/214**

(58) **Field of Search** D23/213, 214;
239/548, 550, 565, 566; 137/266

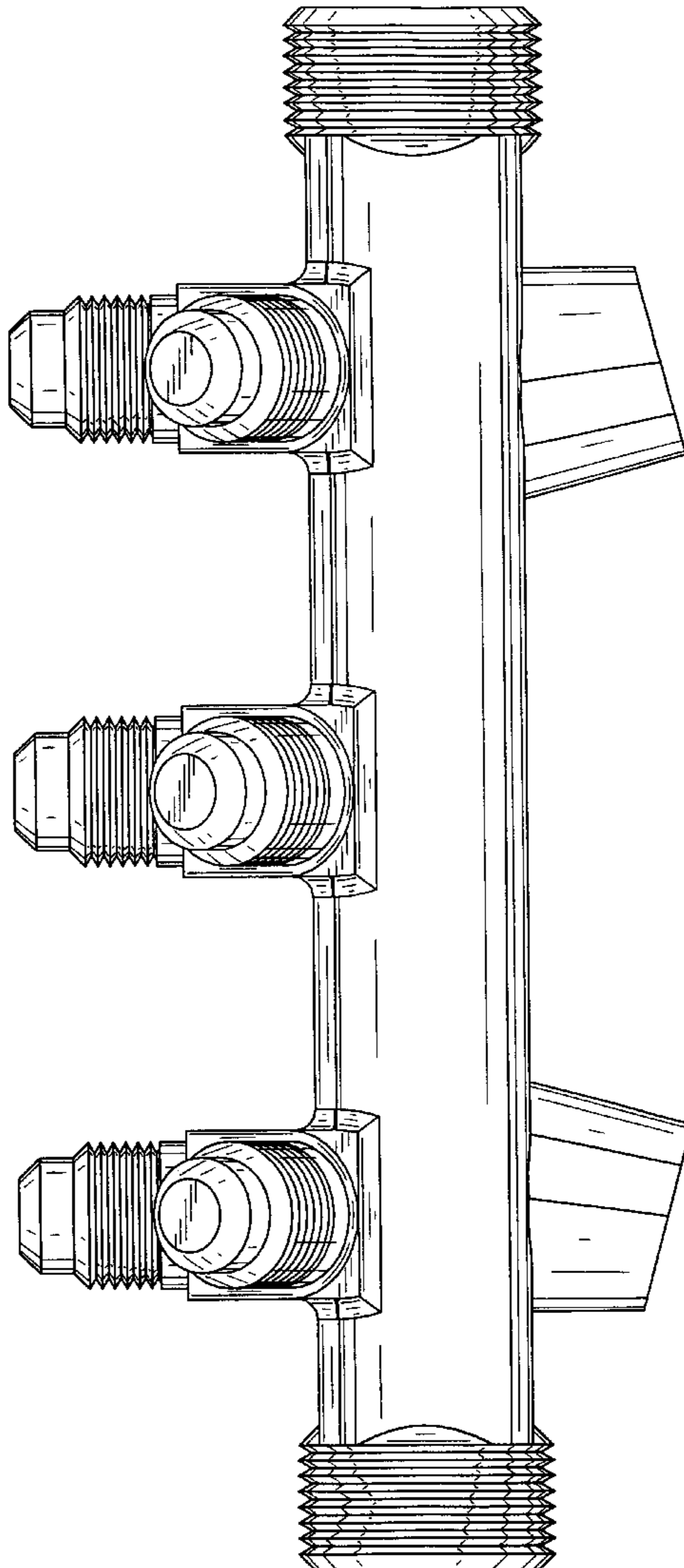
FIG. 1 is top view of the manifold of the present invention;
FIG. 2 is a front view of the manifold of the present
invention;
FIG. 3 is a rear view of the manifold of the present
invention; and,
FIG. 4 is a side view of the manifold of the present
invention.

(56) **References Cited**

U.S. PATENT DOCUMENTS

1,484,575 A * 2/1924 Shulin 239/550

1 Claim, 4 Drawing Sheets



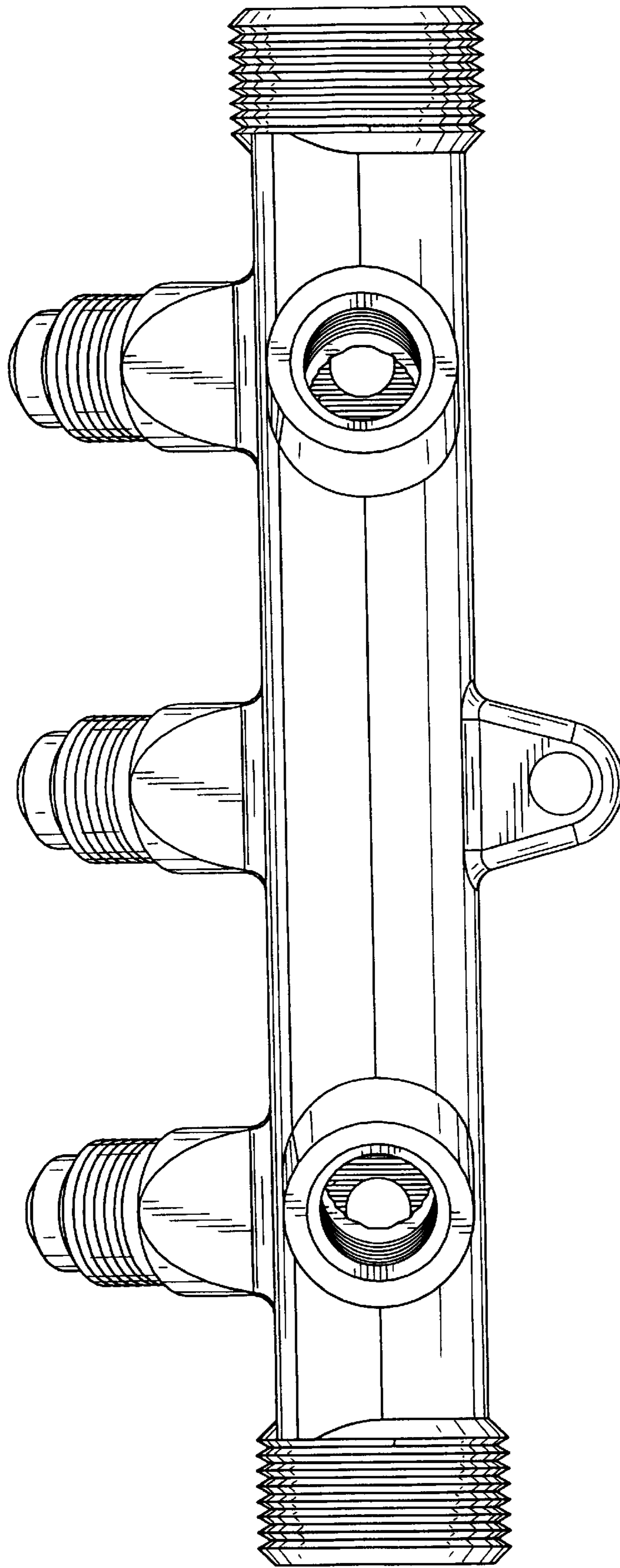


FIG. 1

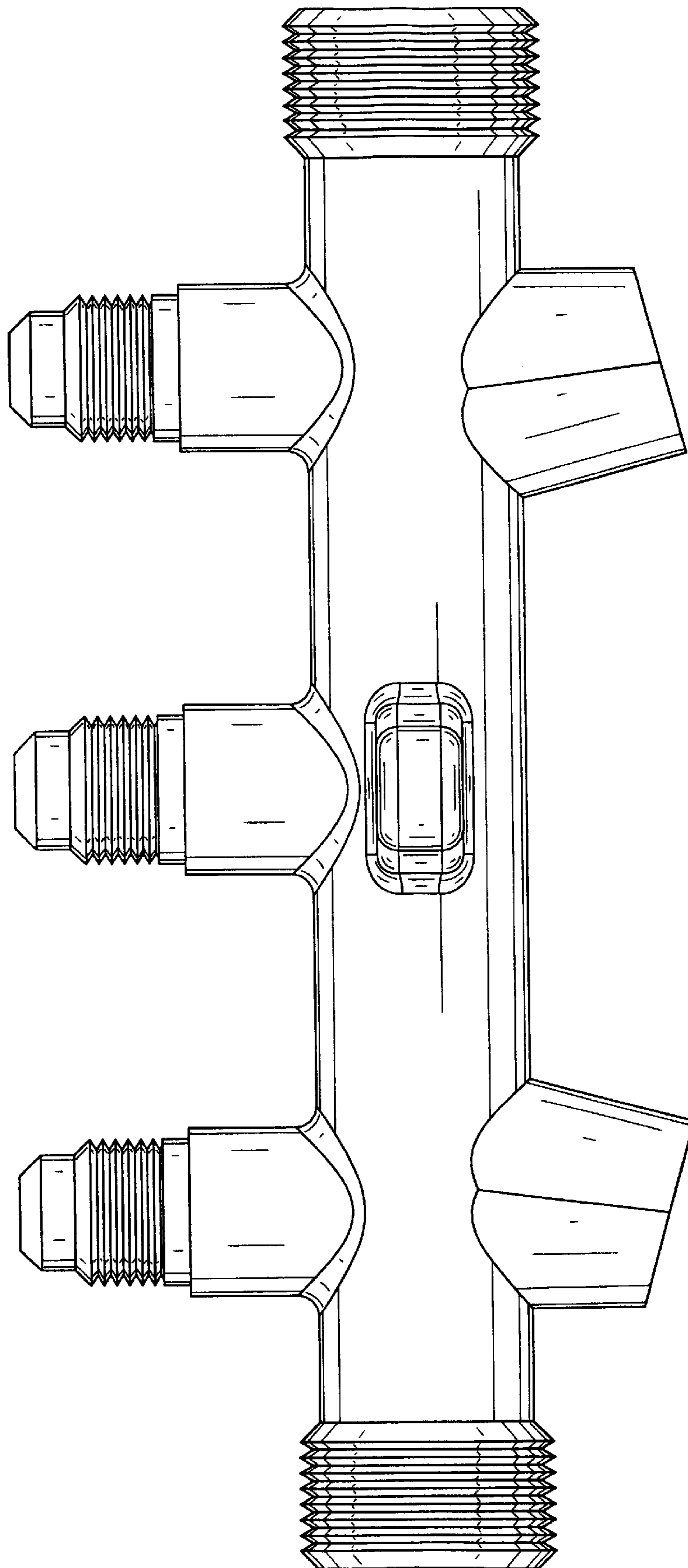


FIG. 2

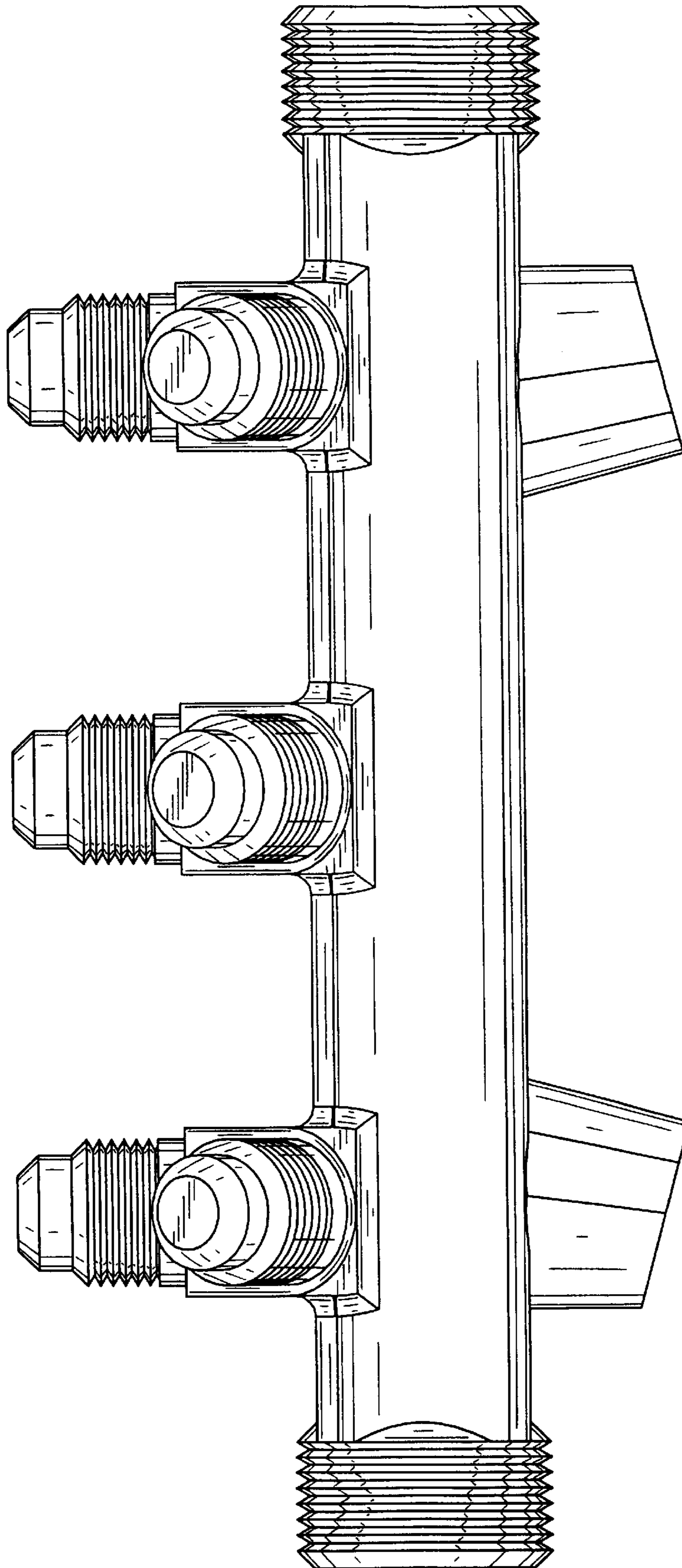


FIG. 3

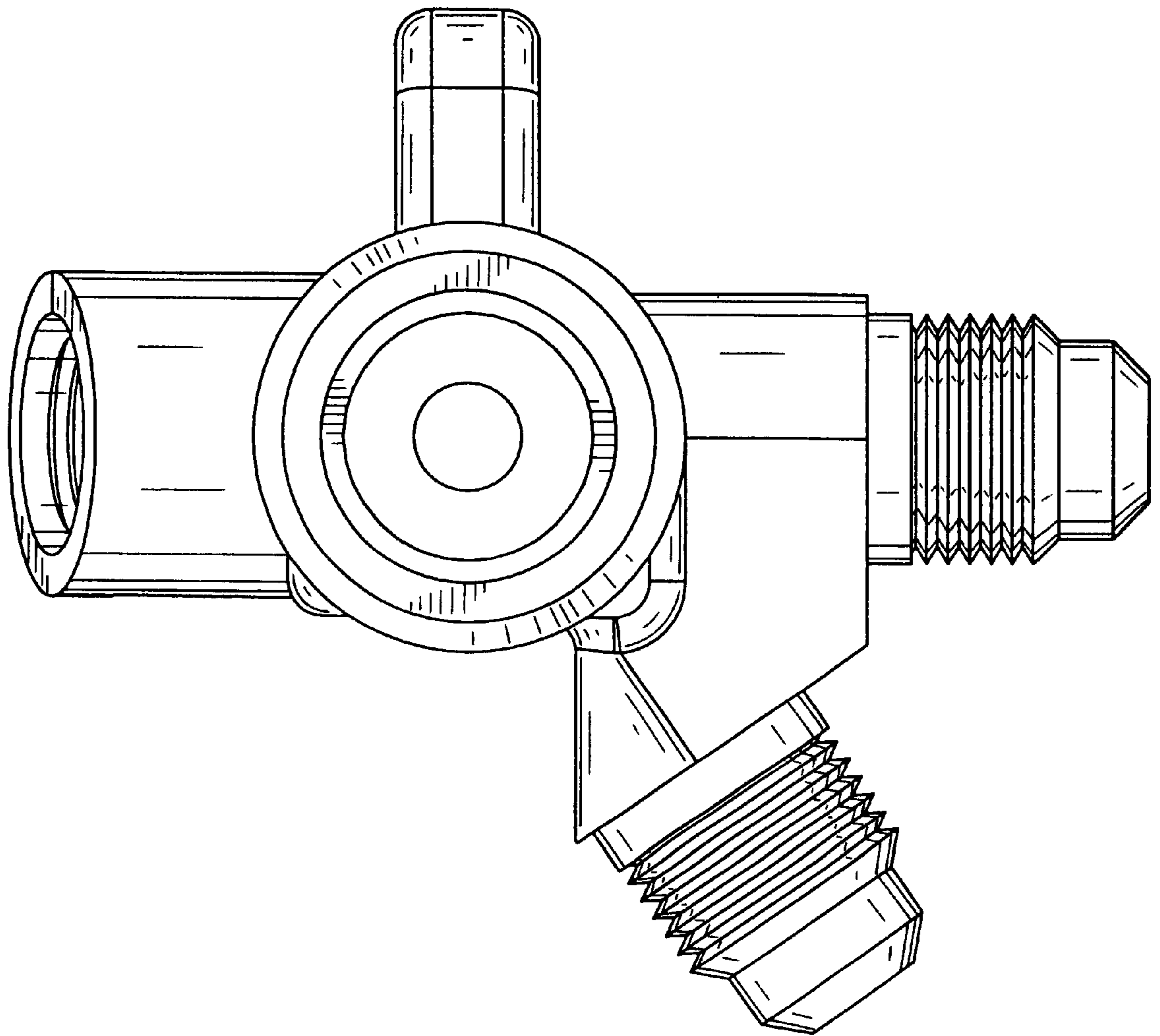


FIG. 4