



US00D453949S

(12) **United States Design Patent**
Helmstetter et al.

(10) **Patent No.:** **US D453,949 S**

(45) **Date of Patent:** **** Feb. 26, 2002**

(54) **IRON GOLF CLUB HEAD**

(75) Inventors: **Richard C. Helmstetter**, Rancho Santa Fe; **Joel B. Erickson**; **Augustin Rollinson**, both of San Diego; **Roger Cleveland**, Los Angeles; **Luke R. Williams**, La Jolla, all of CA (US)

(73) Assignee: **Callaway Golf Company**, Carlsbad, CA (US)

(**) Term: **14 Years**

(21) Appl. No.: **29/142,417**

(22) Filed: **May 23, 2001**

(51) **LOC (7) Cl.** **21-02**

(52) **U.S. Cl.** **D21/747**

(58) **Field of Search** D21/747-751;
473/324, 329-331, 350

(56) **References Cited**

U.S. PATENT DOCUMENTS

D228,355 S	*	9/1973	Penna	D21/749
4,326,326 A	*	4/1982	MacDonald	473/350
5,048,835 A	*	9/1991	Gorman	473/350
5,658,209 A	*	8/1997	Blakemore	473/350
D417,248 S	*	11/1999	Matsuo	D21/748

D429,299 S	*	8/2000	Kubica et al.	D21/748
D435,277 S	*	12/2000	Erickson et al.	D21/747
D436,149 S	*	1/2001	Helmstetter et al.	D21/748
6,210,290 B1	*	4/2001	Erickson et al.	473/350
D442,659 S	*	5/2001	Kubica et al.	D21/747
D443,008 S	*	5/2001	Kubica et al.	D21/747

* cited by examiner

Primary Examiner—Mitchell Siegel

(74) *Attorney, Agent, or Firm*—Michael A. Catania

(57) **CLAIM**

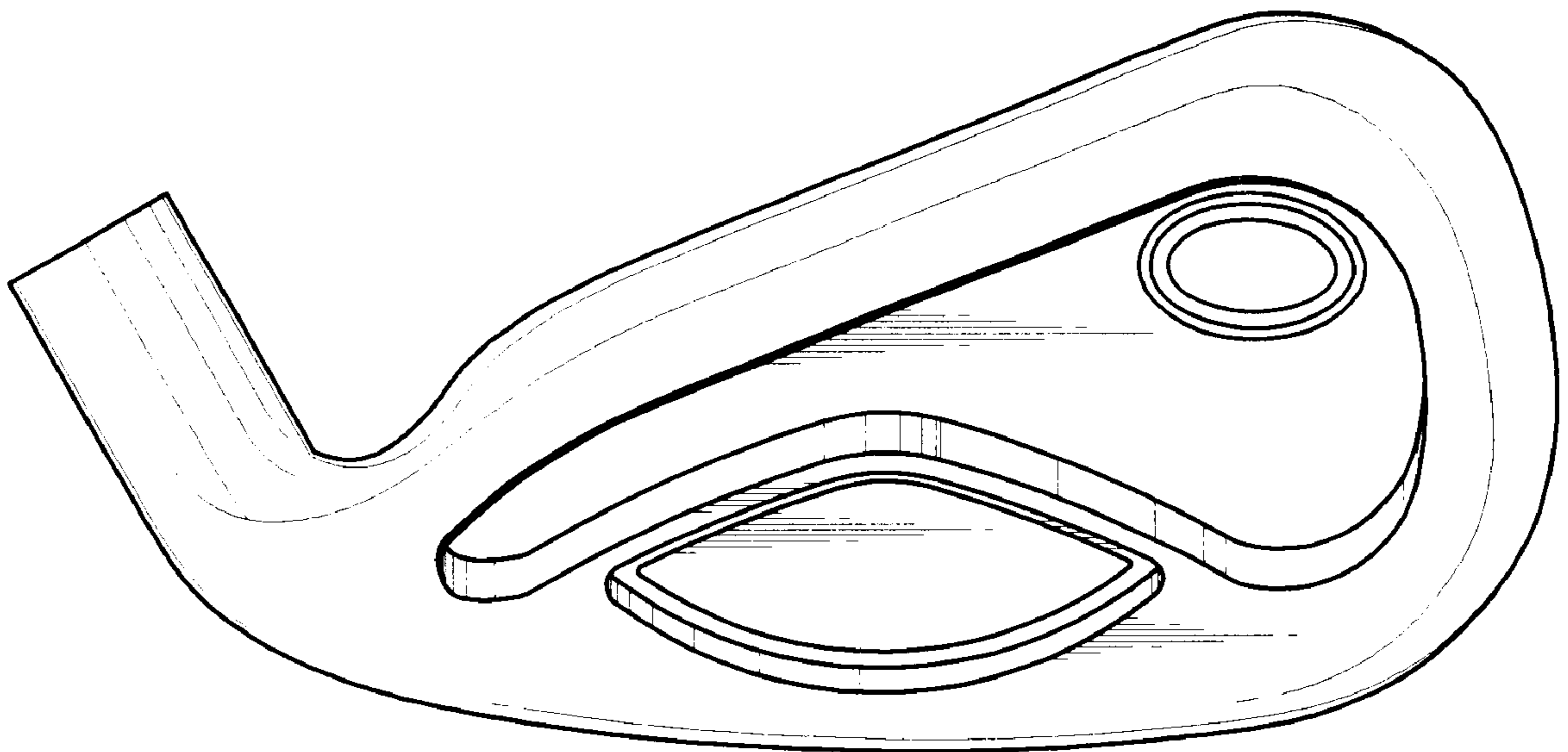
The ornamental design for an iron golf club head, as shown and described.

DESCRIPTION

FIG. 1 is a rear elevational view of an iron golf club head; FIG. 2 is a front perspective view thereof; FIG. 3 is a rear perspective view thereof; FIG. 4 is a front elevational view thereof; FIG. 5 is a top plan view thereof; FIG. 6 is a bottom plan view thereof; FIG. 7 is a toe end view thereof; and, FIG. 8 is a heel end view.

The broken line showing of grooves on the striking face is for illustrative purposes only and forms no part of the claimed design.

1 Claim, 3 Drawing Sheets



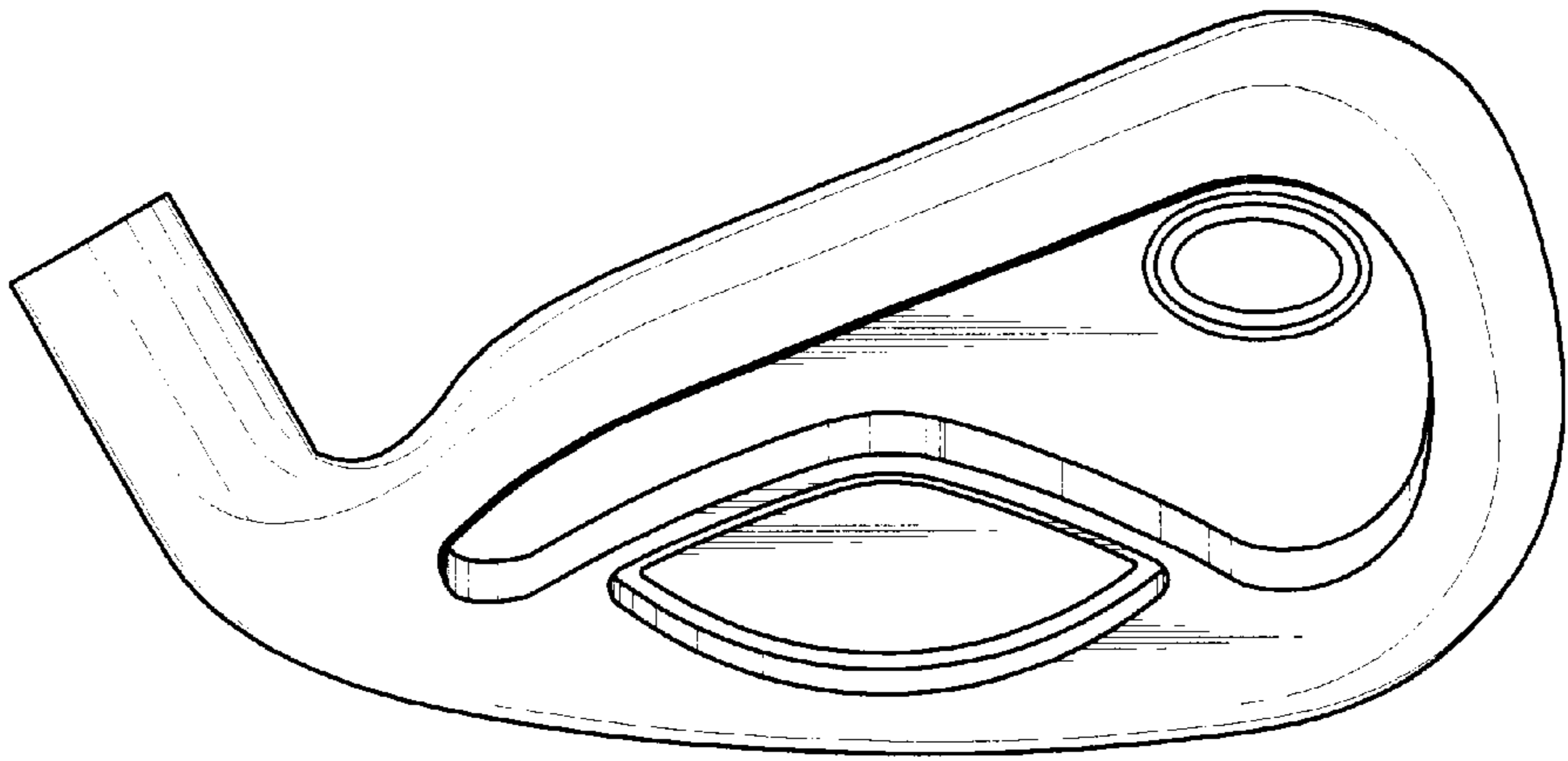


FIG. 1

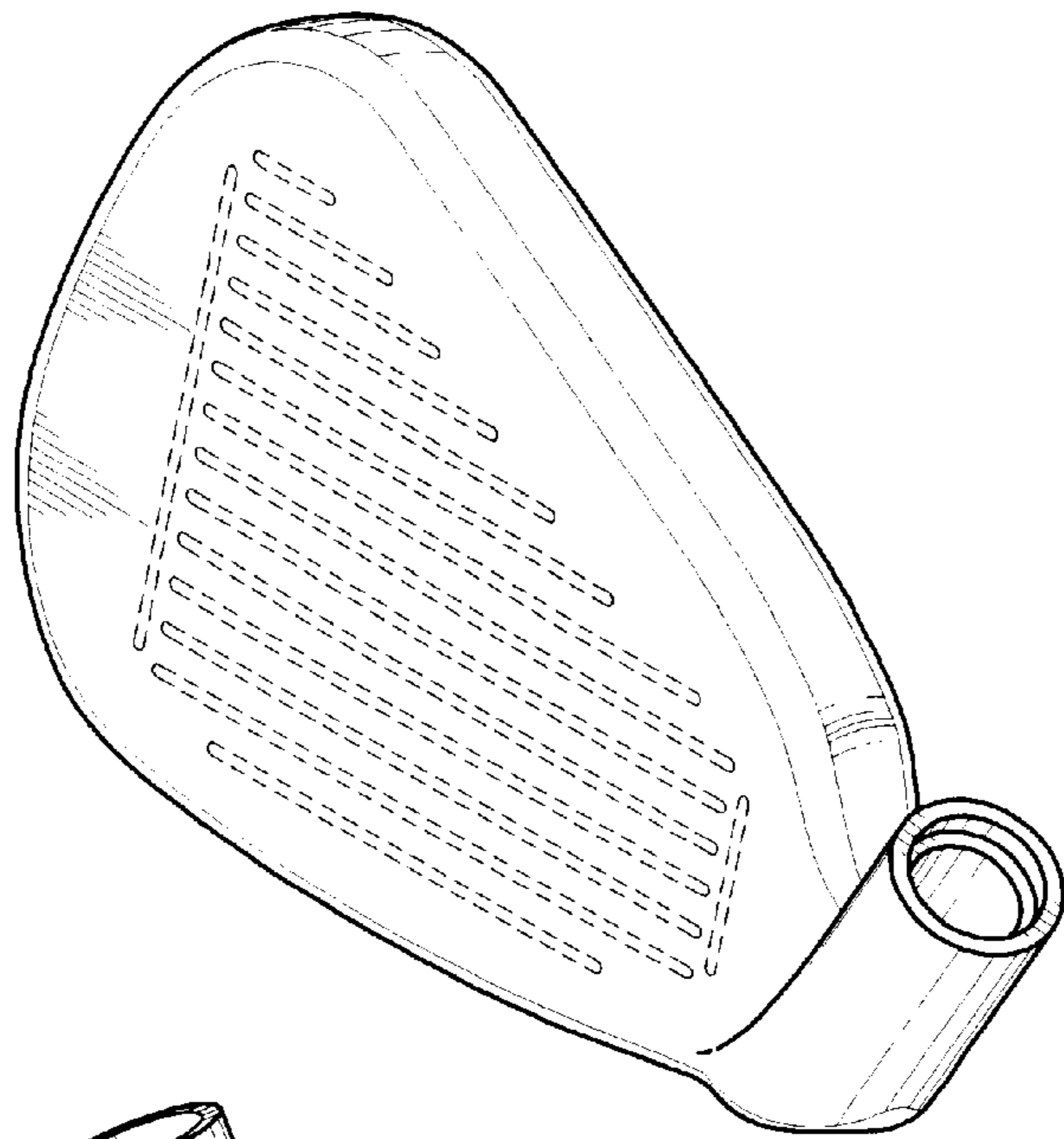


FIG. 2

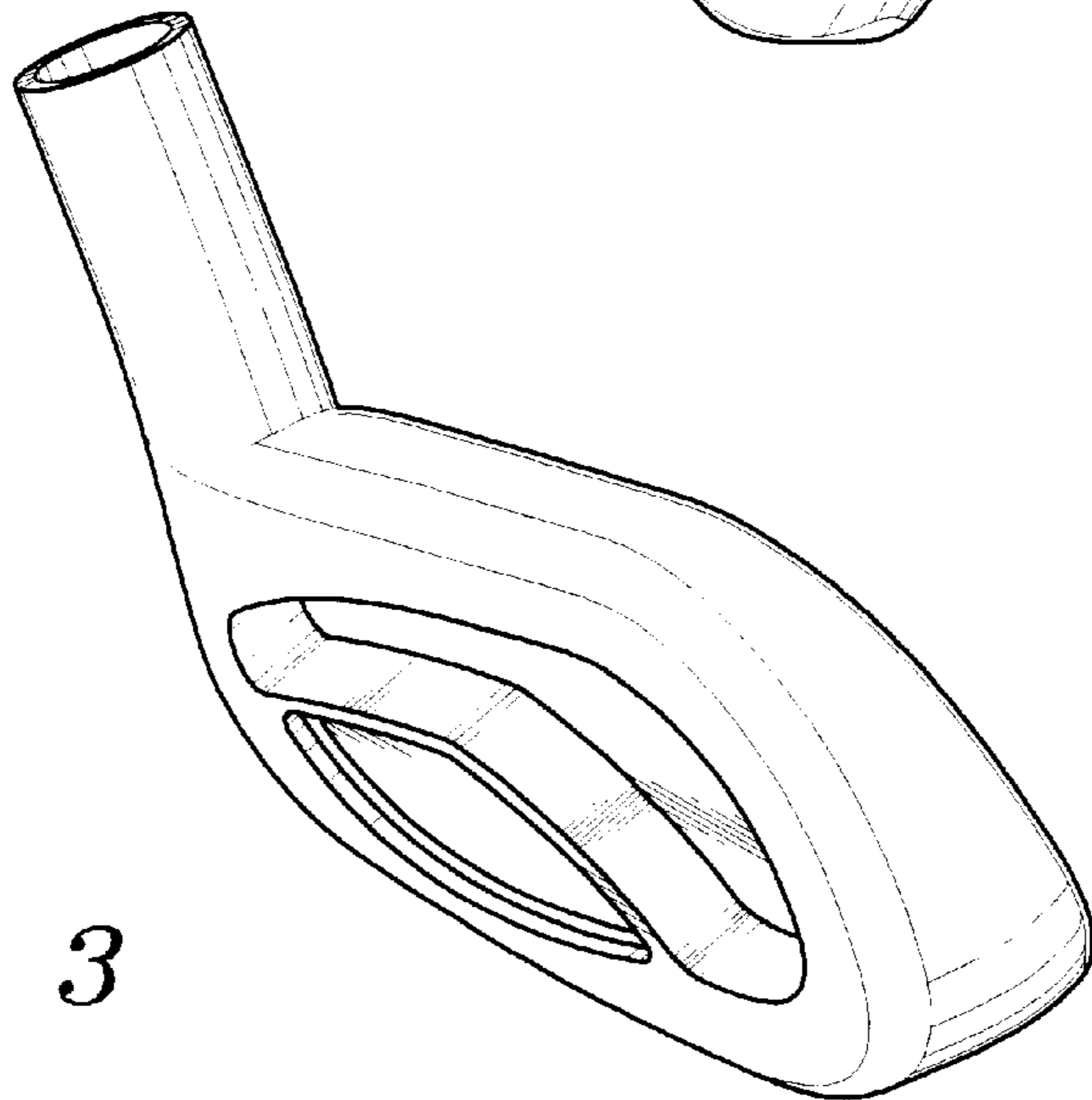


FIG. 3

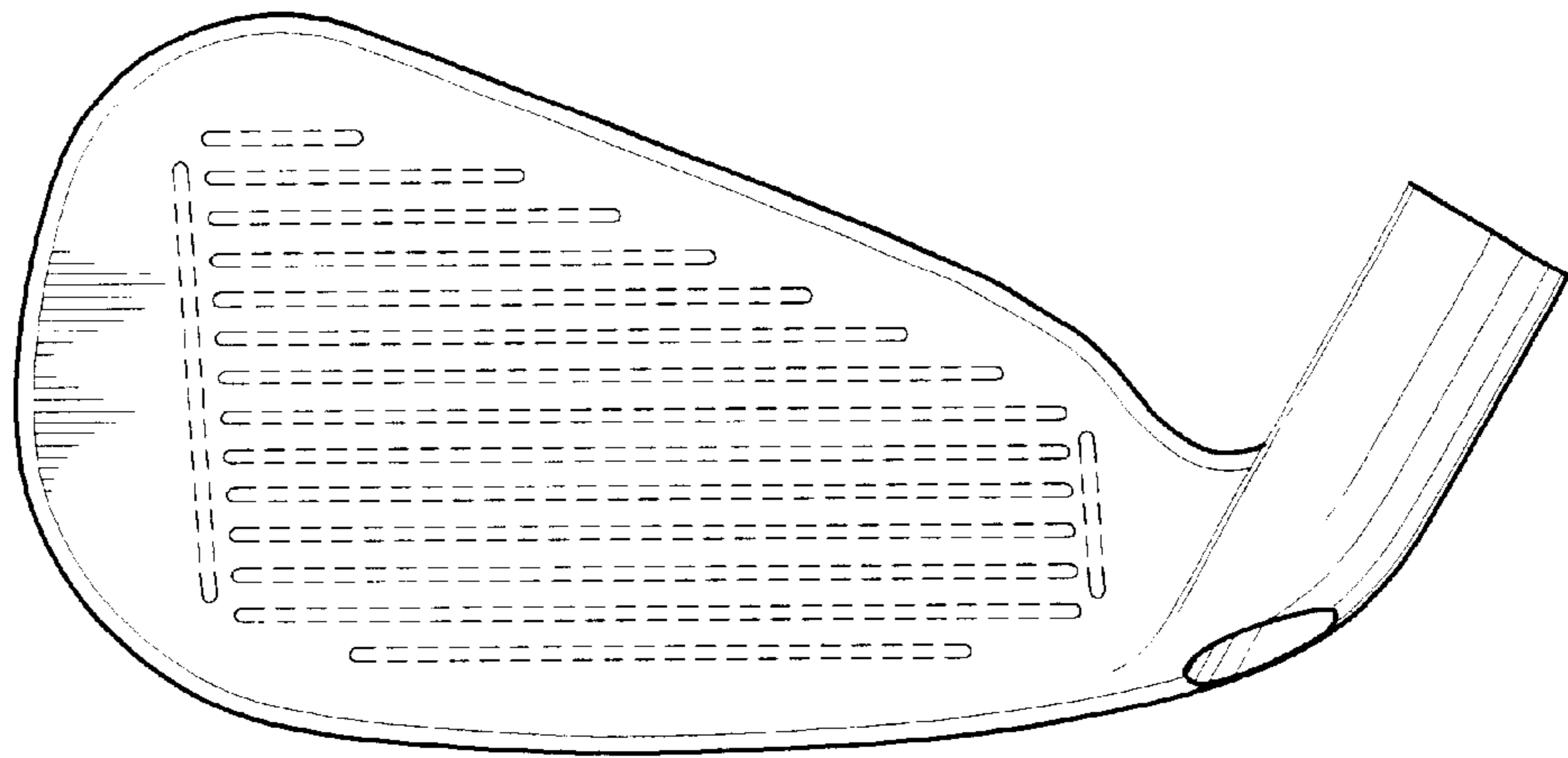


FIG. 4

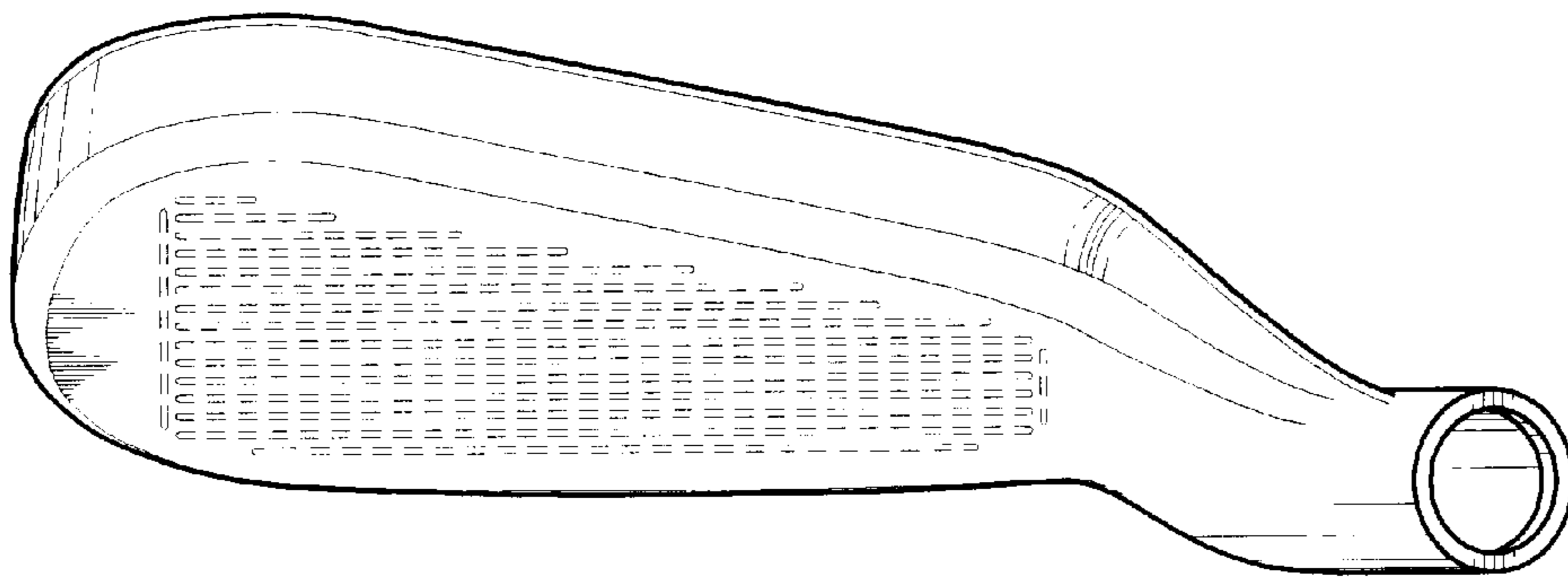


FIG. 5

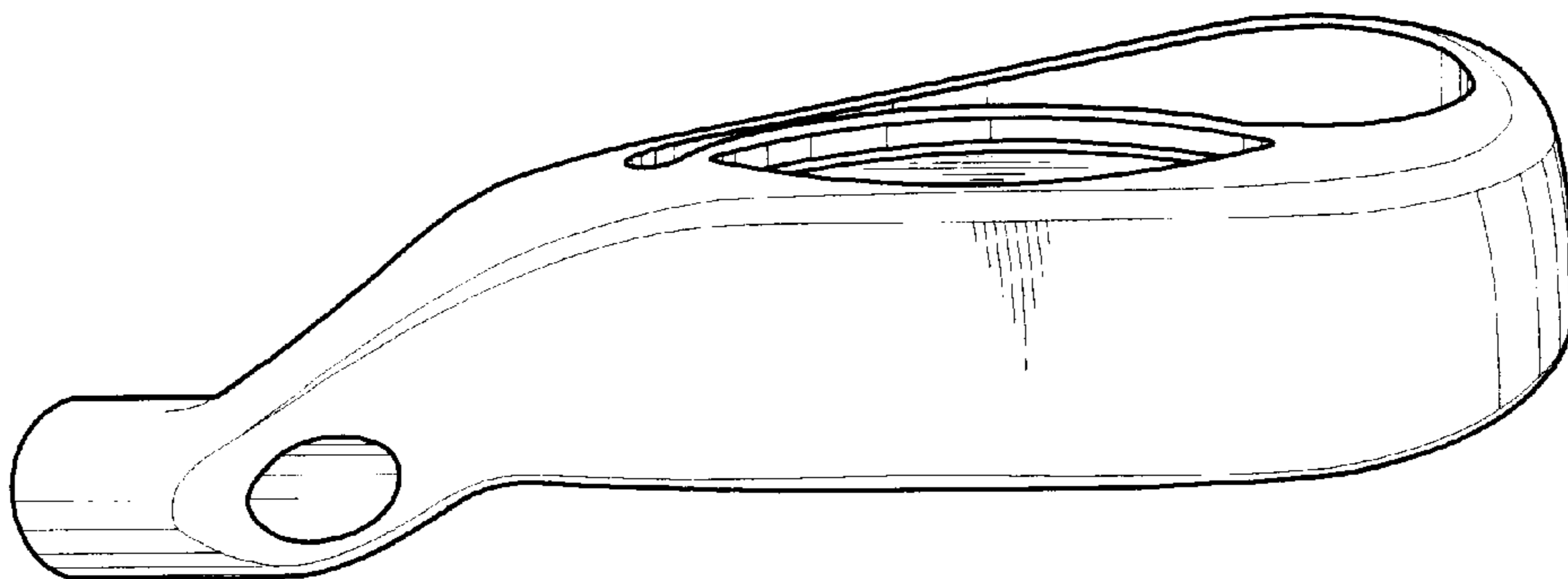


FIG. 6

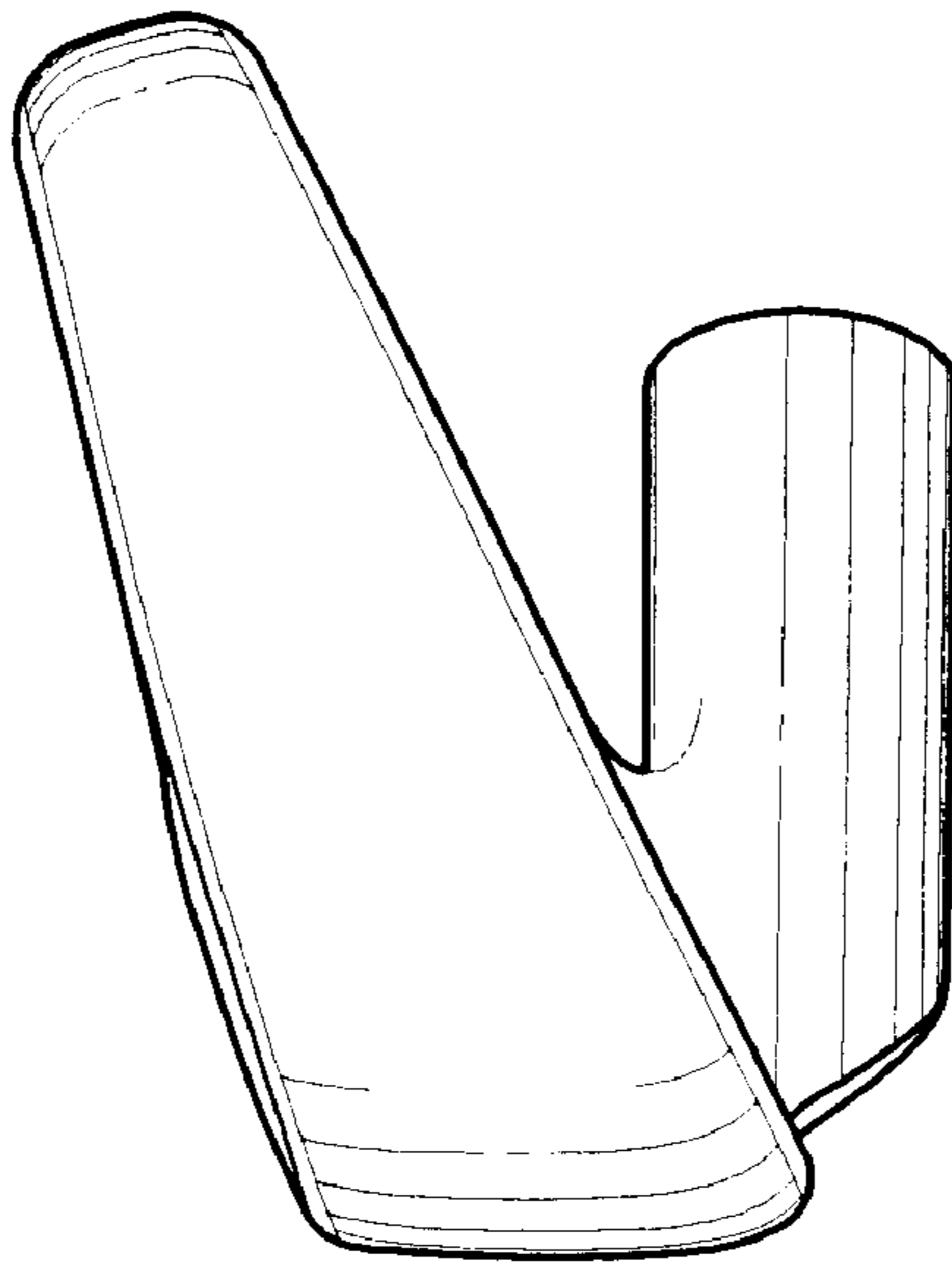


FIG. 7

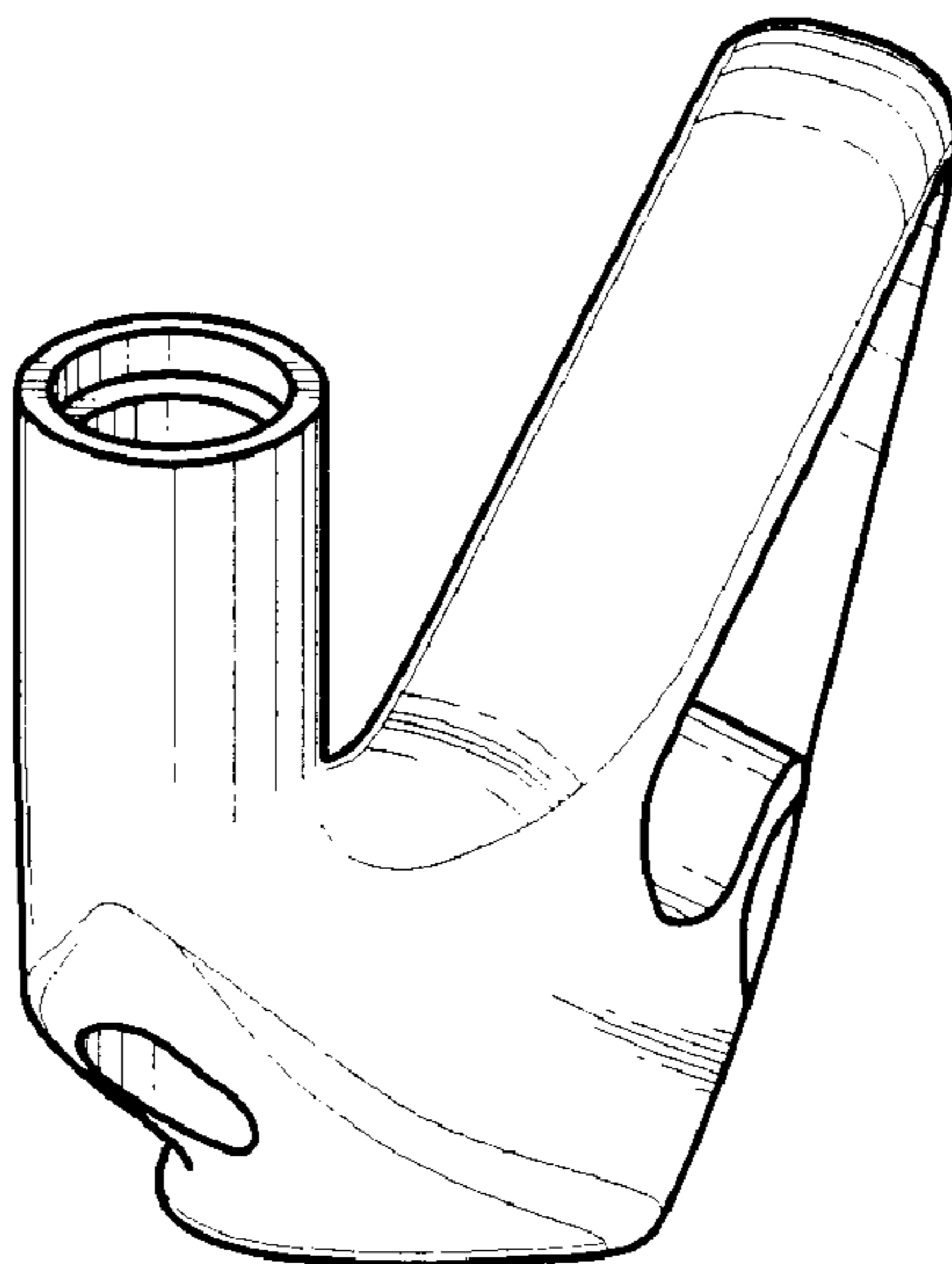


FIG. 8