



US00D453948S

(12) **United States Design Patent**
Cutler

(10) **Patent No.:** **US D453,948 S**

(45) **Date of Patent:** **** Feb. 26, 2002**

(54) **TREADMILL DECK**

(75) **Inventor:** **Gordon L. Cutler**, Providence, UT (US)

(73) **Assignee:** **Icon IP, Inc.**, Logan, UT (US)

(**) **Term:** **14 Years**

(21) **Appl. No.:** **29/140,256**

(22) **Filed:** **Apr. 13, 2001**

(51) **LOC (7) Cl.** **21-02**

(52) **U.S. Cl.** **D21/694**

(58) **Field of Search** D21/662, 668,
D21/669, 670, 694; 482/51, 52, 54, 148

(56) **References Cited**

U.S. PATENT DOCUMENTS

D372,508 S	*	8/1996	Clem	D21/669
5,649,882 A	*	7/1997	Parikh et al.	482/54
5,772,560 A	*	6/1998	Watterson et al.	482/54
5,897,460 A	*	4/1999	McBride et al.	482/54
6,013,011 A	*	1/2000	Moore et al.	482/54
6,117,053 A	*	9/2000	Chiu	482/54
6,126,576 A	*	10/2000	Wang	482/54
6,132,340 A	*	10/2000	Wang et al.	482/54
6,164,268 A1	*	1/2001	Novak	482/54

OTHER PUBLICATIONS

Product User Manual, "Healthrider Softstrider S200" copyright 1998.

Product User Manual, "Healthrider Softstrider Pro Softtrack Cushioned Treadmill" copyright 1998.

Product User Manual, "Healthrider Softstrider S300i" copyright 1999.

Product User Manual, "Healthrider Softstrider S700i" copyright 1999.

Product User Manual, "Healthrider Softstrider EX Softtrack Cushioned Treadmill" copyright 1999.

Product User Manual, "Healthrider A Series A90" copyright 1999.

Product User Manual, "Proform 725TL Performance Treadmill" copyright 1996.

* cited by examiner

Primary Examiner—Philip S. Hyder

(74) *Attorney, Agent, or Firm*—Workman Nydegger & Seeley

(57) **CLAIM**

The ornamental design for a treadmill deck, as shown and described.

DESCRIPTION

FIG. 1 is a perspective view of a treadmill deck of the present invention.

FIG. 2 is a front view of the treadmill deck of FIG. 1.

FIG. 3 is a rear view of the treadmill deck of FIG. 1.

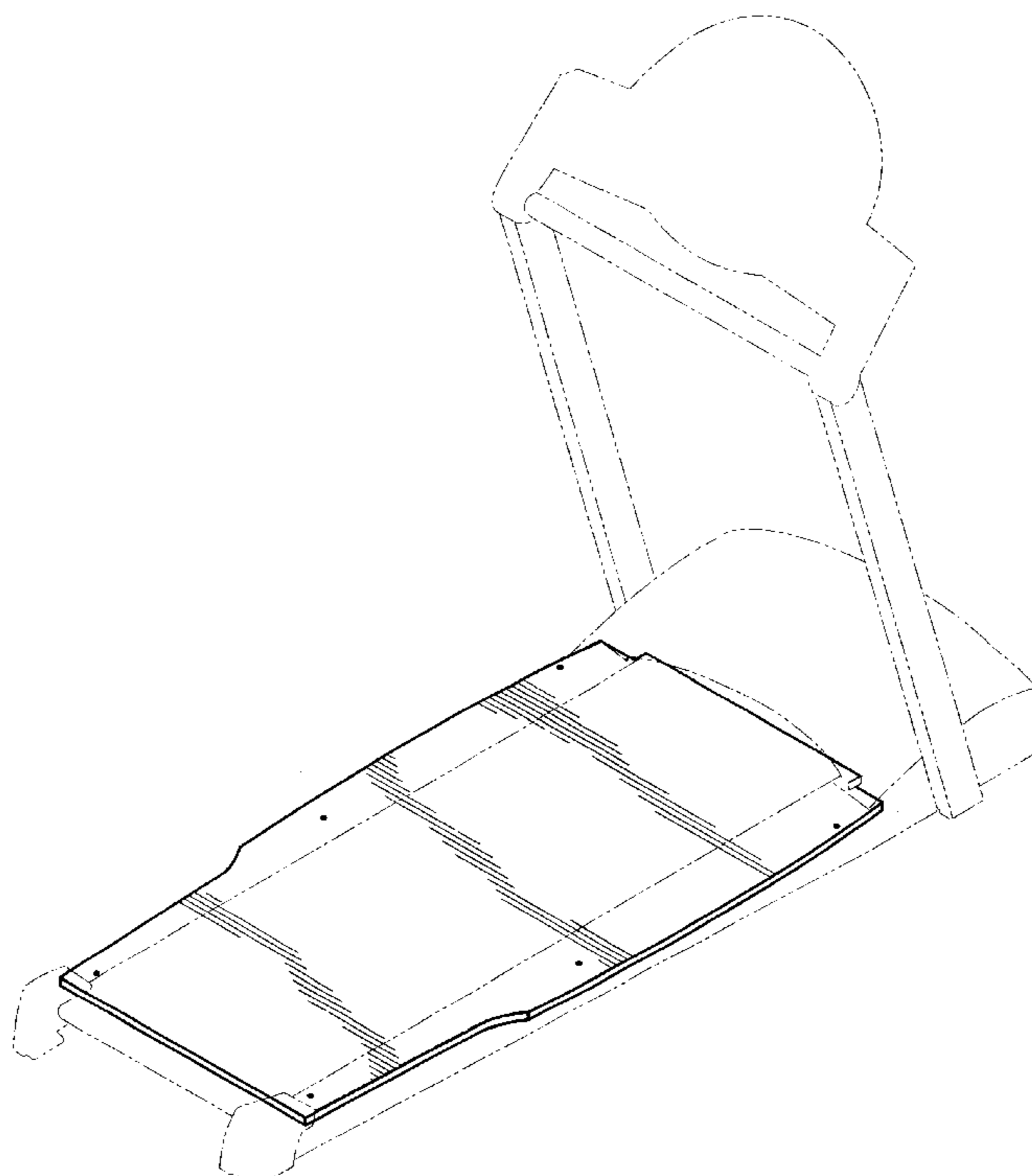
FIG. 4 is a left side view of the treadmill deck of FIG. 1.

FIG. 5 is a right side view of the treadmill deck of FIG. 1.

FIG. 6 is a top view of the treadmill deck of FIG. 1, the opposing bottom view being a mirror image thereof; and,

FIG. 7 is a perspective view of the treadmill deck of FIG. 1, wherein the broken line example of environmental structure is for illustrative purposes only and forms no part of the claimed design.

1 Claim, 3 Drawing Sheets



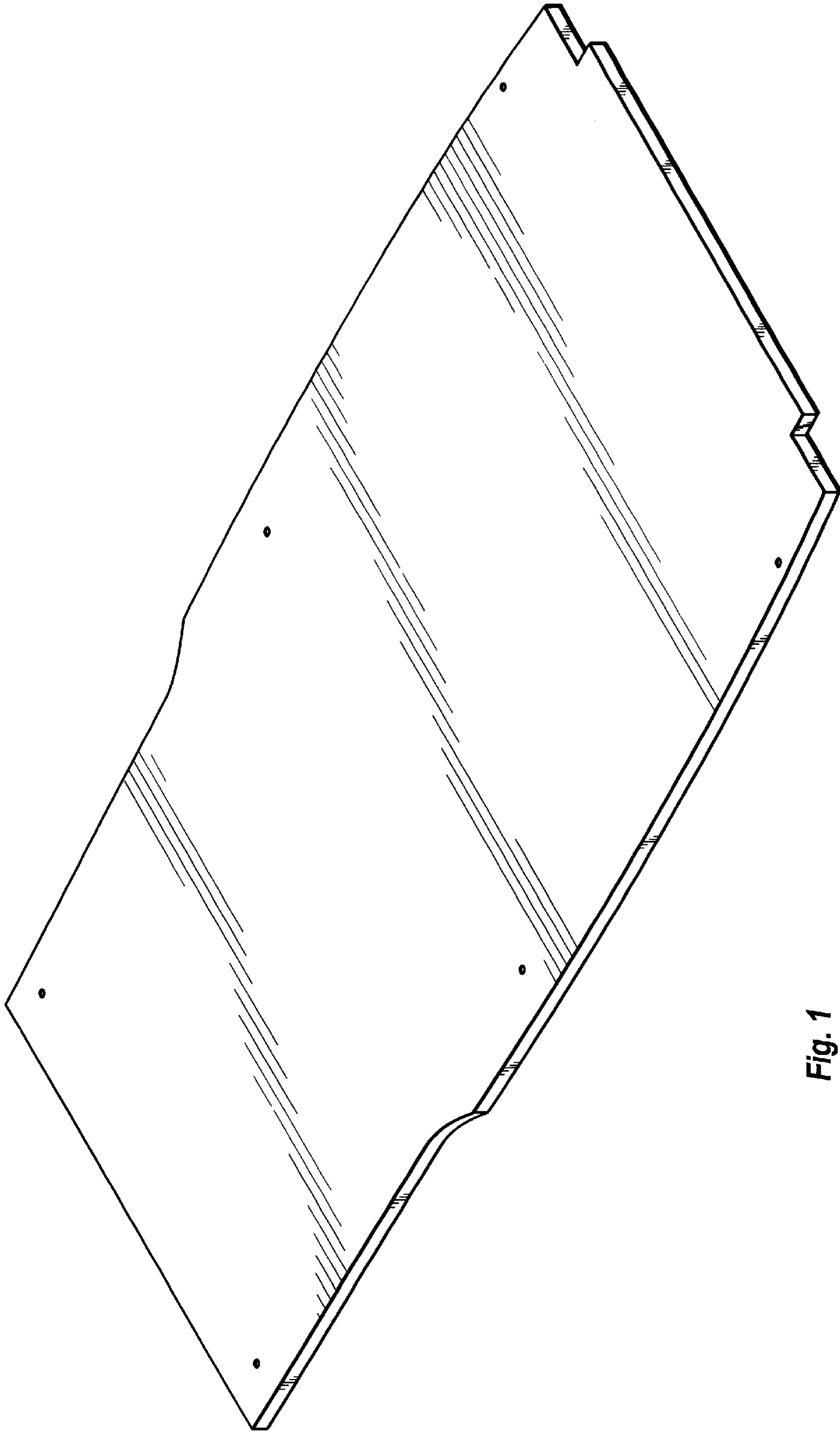


Fig. 1

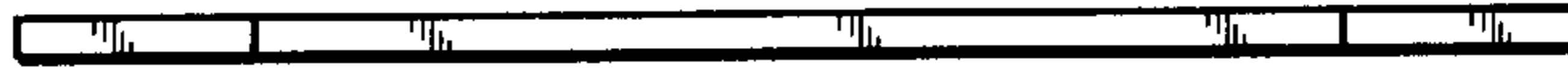


Fig. 2

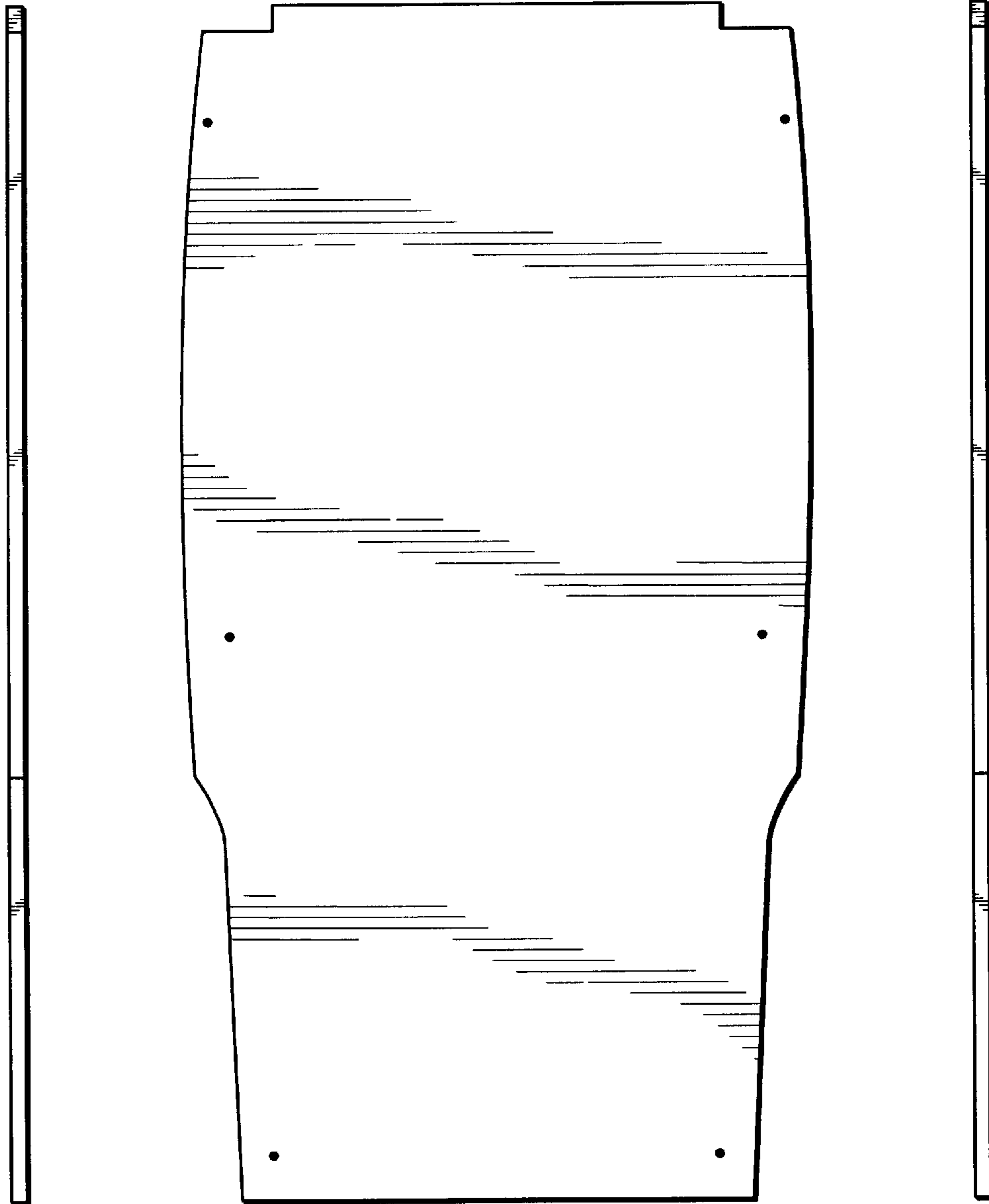


Fig. 4

Fig. 6

Fig. 5



Fig. 3

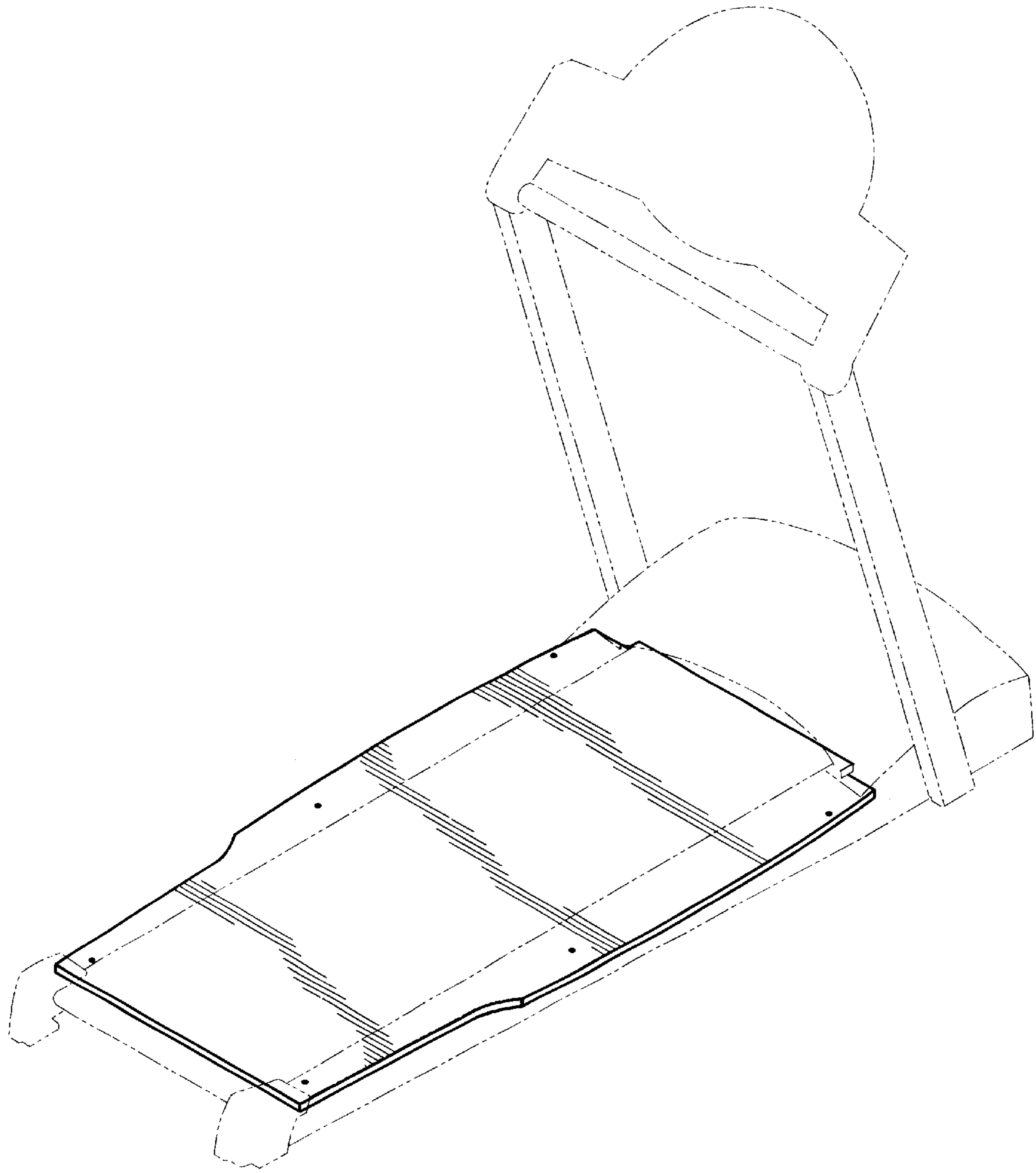


Fig. 7