



US00D453947S

(12) **United States Design Patent**
Paivanas

(10) **Patent No.:** **US D453,947 S**

(45) **Date of Patent:** **** Feb. 26, 2002**

(54) **TOY AIRPLANE**

(76) **Inventor:** **Evan Paivanas**, 4350 Tonawanda Creek Rd., Amherst, NY (US) 14051

(**) **Term:** **14 Years**

(21) **Appl. No.:** **29/145,437**

(22) **Filed:** **Jul. 23, 2001**

Related U.S. Application Data

(63) Continuation-in-part of application No. 29/132,224, filed on Nov. 6, 2000, now Pat. No. Des. 445,462.

(51) **LOC (7) Cl.** **21-01**

(52) **U.S. Cl.** **D21/449; D21/447**

(58) **Field of Search** D21/447, 449, D21/454; 446/34, 61, 63-65; D12/319

(56) **References Cited**

U.S. PATENT DOCUMENTS

D119,968 S	*	4/1940	Smith	D21/447
2,282,764 A	*	5/1942	Laszzari	446/63
2,315,242 A	*	3/1943	Briggs et al.	446/63
D156,035 S	*	11/1949	Richardson	D21/454
D157,767 S	*	3/1950	Lindenbaum	D21/449
D162,790 S	*	4/1951	Christman	D21/449
3,264,777 A	*	8/1966	McCreary, Jr.	446/63

3,430,620 A	*	3/1969	Davis	446/63
3,898,765 A	*	8/1975	Lee	446/63
D309,164 S	*	7/1990	Antonucci	D21/449
D445,462 S	*	7/2001	Paivanas	D21/447

* cited by examiner

Primary Examiner—Dominic Simone

(74) *Attorney, Agent, or Firm*—Crossetta & Associates

(57) **CLAIM**

The ornamental design for a toy airplane, as shown.

DESCRIPTION

FIG. 1 is a top right side perspective view of a toy airplane, showing my new design, the top right side perspective view being a mirror image thereof.

FIG. 2 is a top plan view of the toy airplane of FIG. 1.

FIG. 3 is a bottom plan view of the toy airplane of FIG. 1. FIG. 4 is a front elevational view of the toy airplane of FIG. 1.

FIG. 5 is a rear elevational view of the toy airplane of FIG. 1.

FIG. 6 is a left side elevational view of the toy airplane of FIG. 1; and,

FIG. 7 is a right left side elevational view of the toy airplane of FIG. 1.

1 Claim, 4 Drawing Sheets

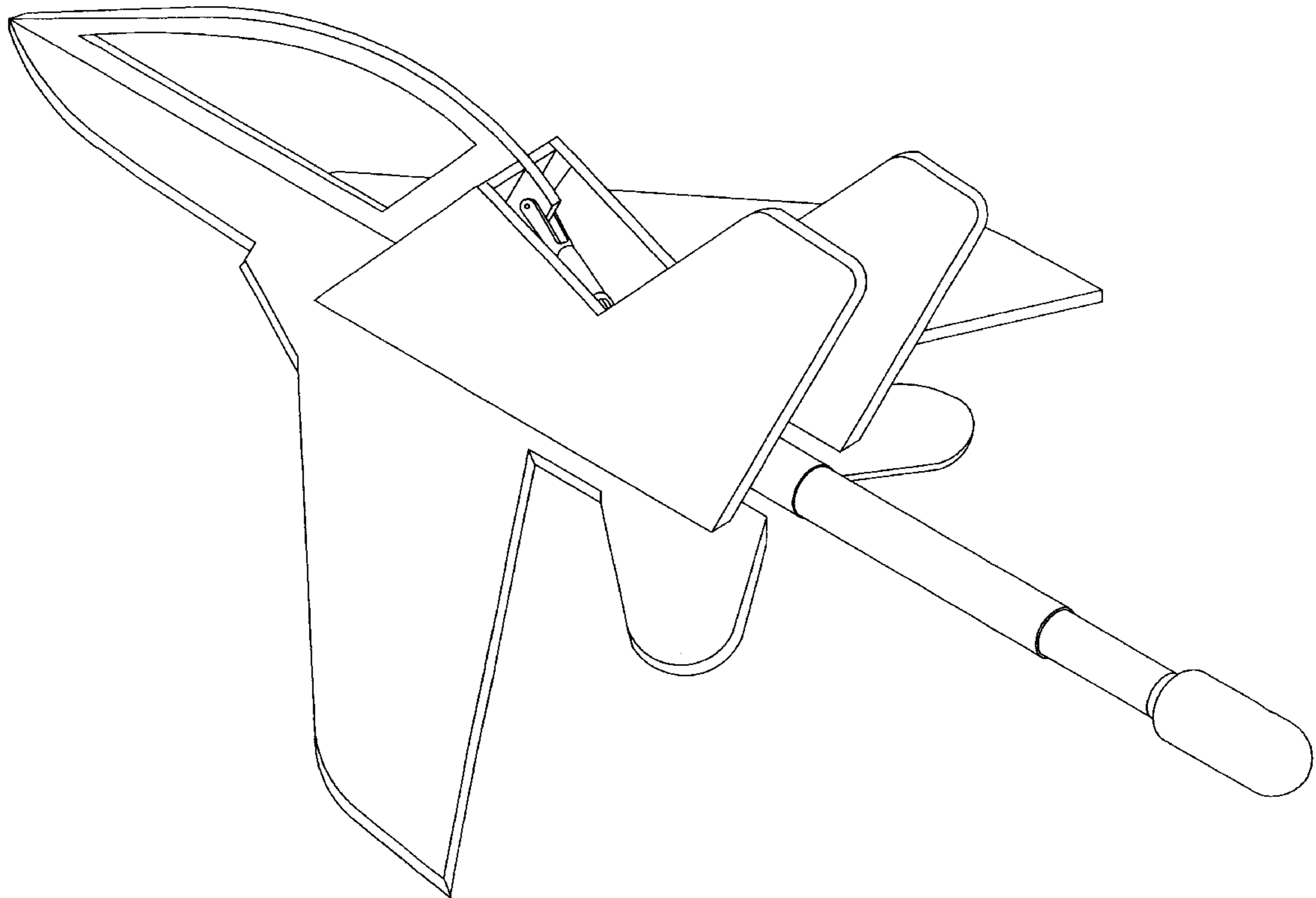


FIG. 1

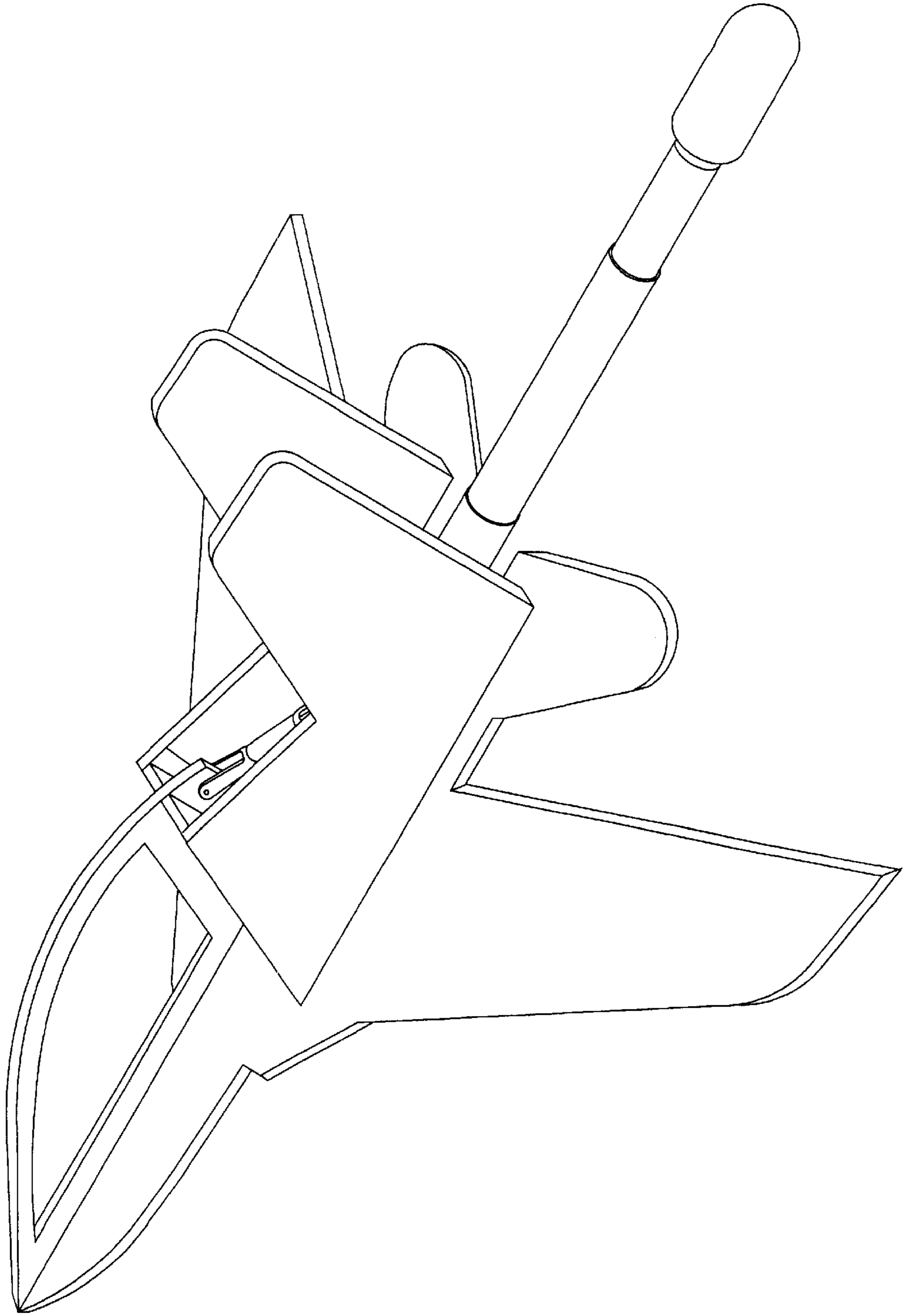


FIG. 2

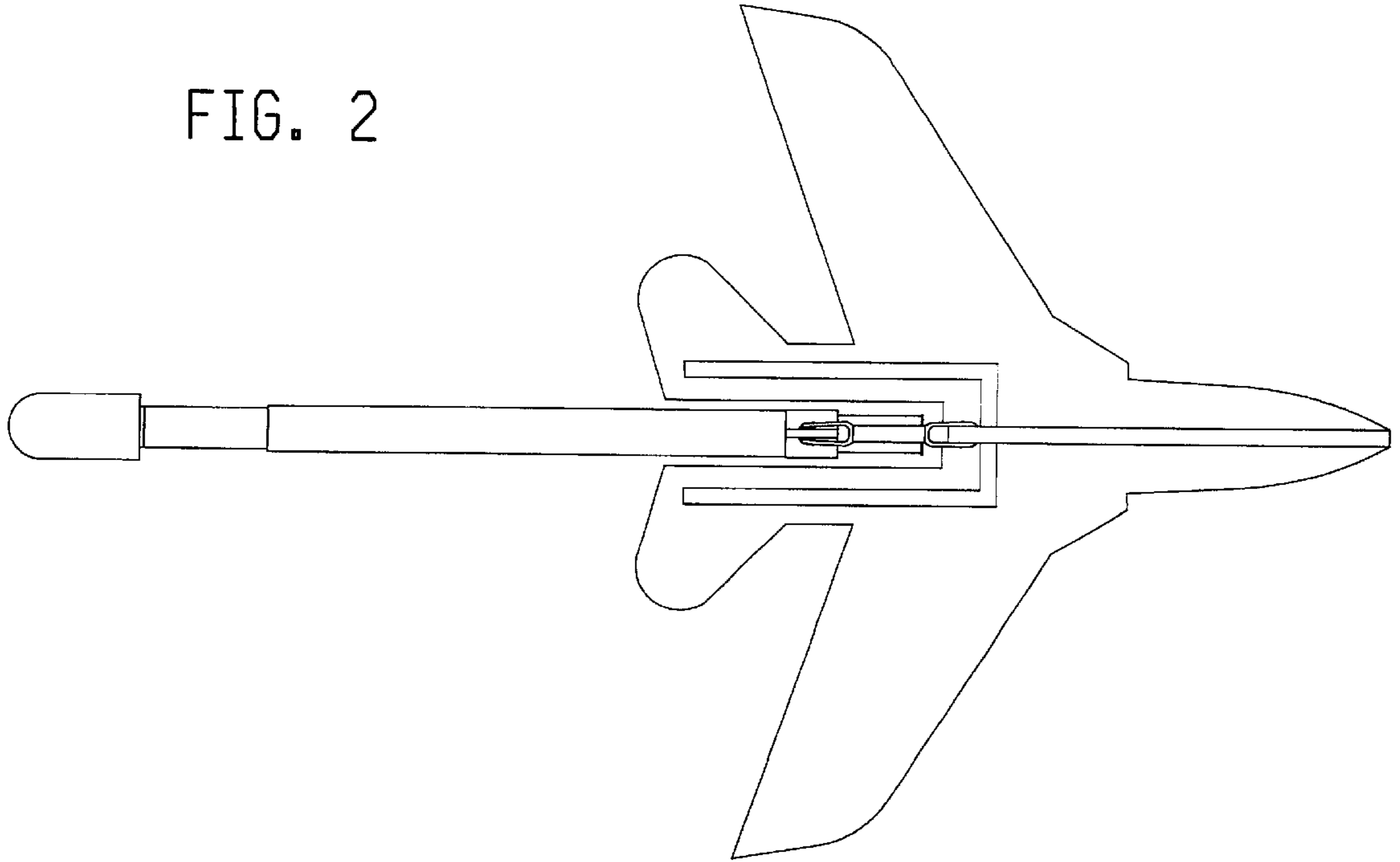


FIG. 3

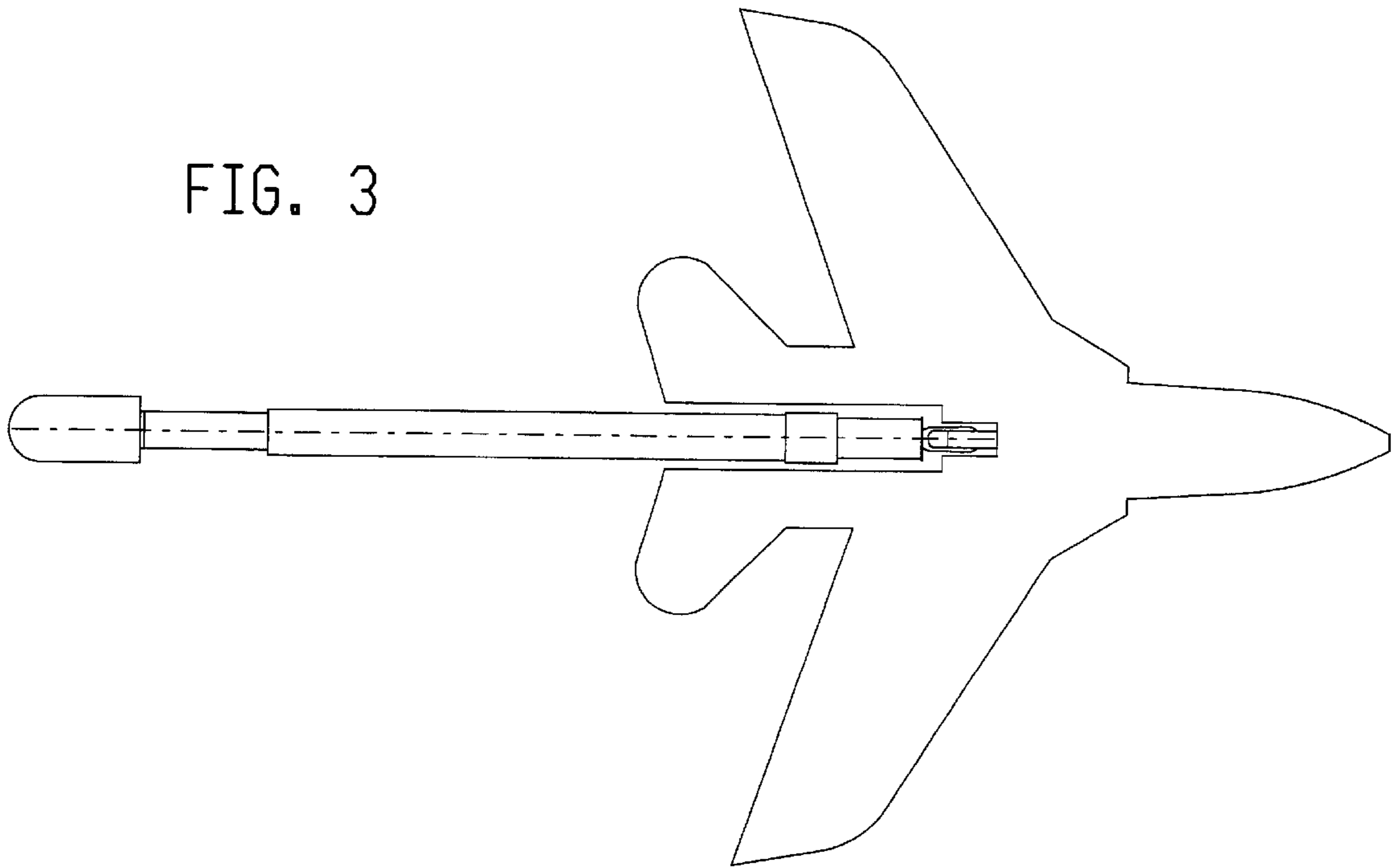


FIG. 4

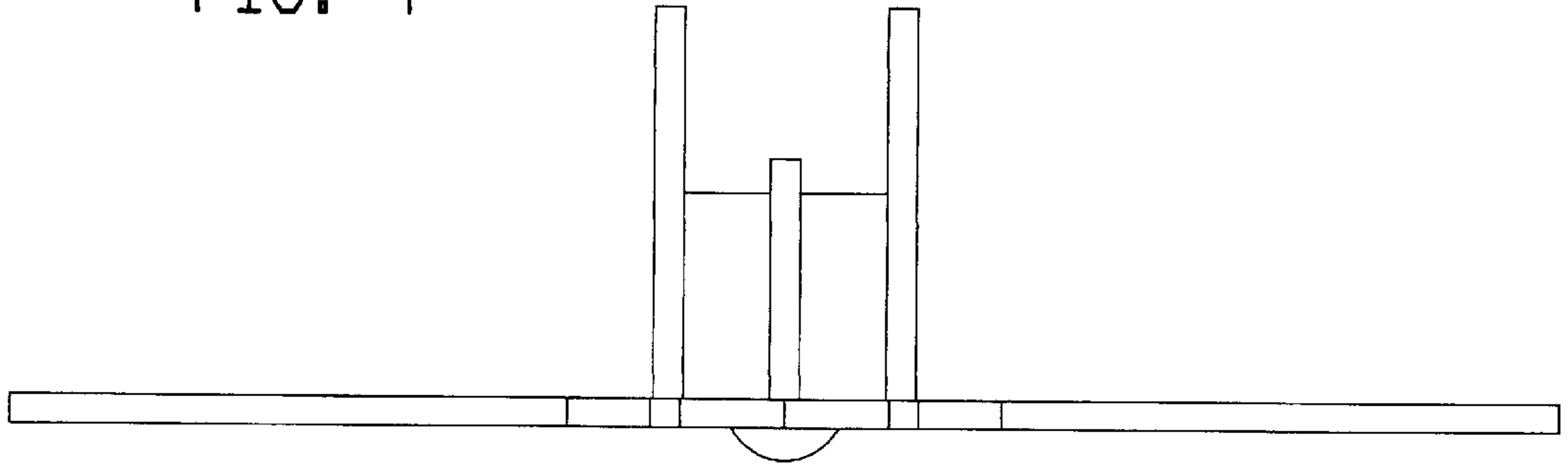


FIG. 5

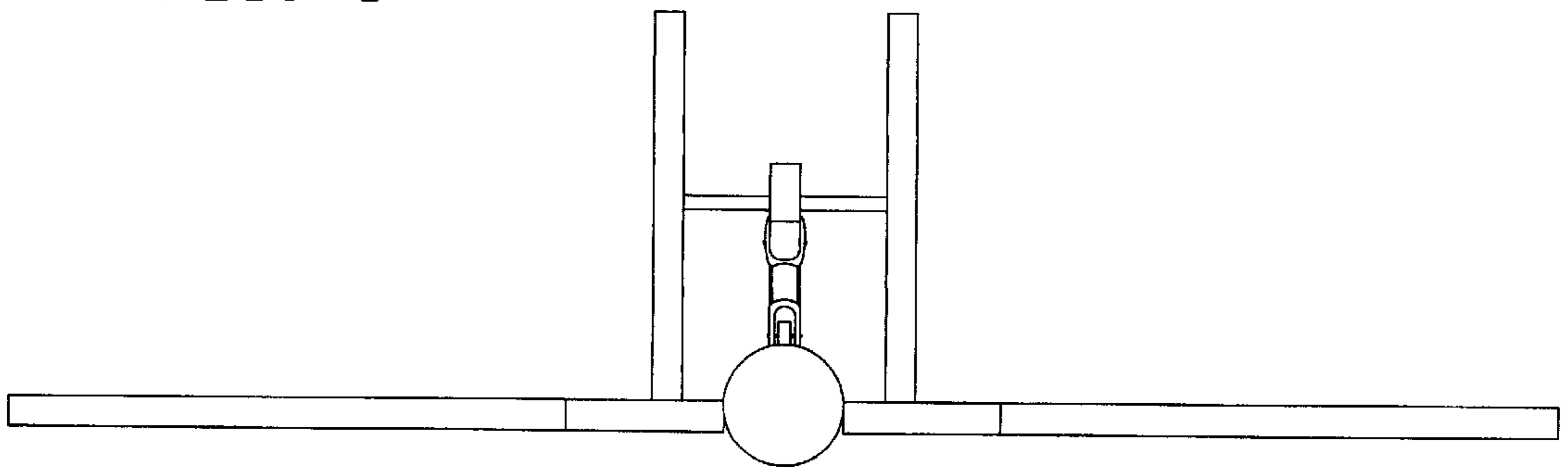


FIG. 6

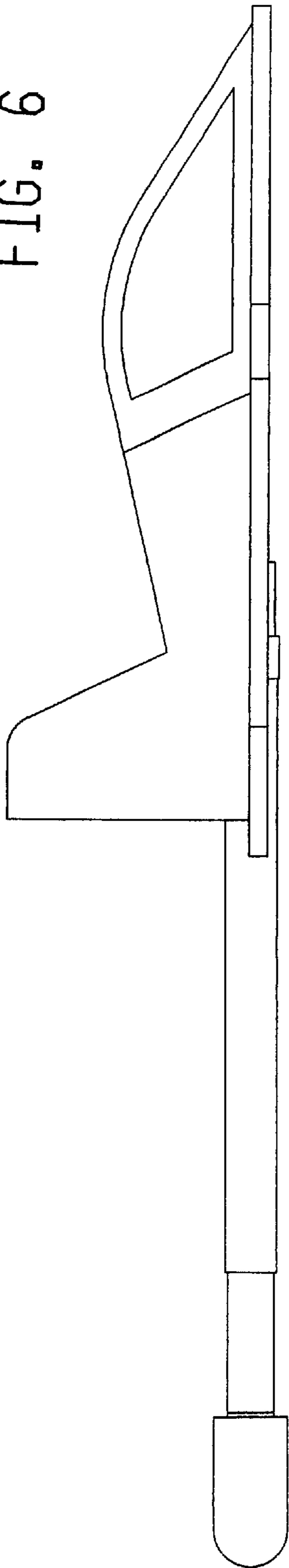


FIG. 7

