



US00D453946S

(12) **United States Design Patent**
Ninomiya

(10) **Patent No.:** **US D453,946 S**

(45) **Date of Patent:** **** Feb. 26, 2002**

(54) **PAPER AIRPLANE**

4,272,912 A * 6/1981 Lalpeirre 446/34

(76) Inventor: **Yasuaki Ninomiya**, 5-101 Tamaplaza
1-20 Utsukushigaoka, Aobaku,
Yokohama, Kanagawa (JP)

* cited by examiner

Primary Examiner—Dominic Simone
(74) *Attorney, Agent, or Firm*—John Russell Uren

(**) Term: **14 Years**

(57) **CLAIM**

(21) Appl. No.: **29/130,784**

The ornamental design for a paper airplane, as shown and described.

(22) Filed: **Oct. 6, 2000**

(51) **LOC (7) Cl.** **21-01**

(52) **U.S. Cl.** **D21/449**

(58) **Field of Search** D21/447, 449;
D12/319, 331; 446/34, 61, 63-65

DESCRIPTION

FIG. 1 is a top, left, rear perspective view of a paper airplane showing my new design;
FIG. 2 is a right, front, bottom perspective view thereof;
FIG. 3 is a rear elevational view thereof;
FIG. 4 is a front elevational view thereof;
FIG. 5 is a left side elevational view thereof;
FIG. 6 is a top elevational view thereof; and,
FIG. 7 is a bottom elevational view thereof.

(56) **References Cited**

U.S. PATENT DOCUMENTS

- 1,565,437 A * 12/1925 Greife 446/65
- D78,846 S * 6/1929 Stearman D12/331
- D191,928 S * 12/1961 Skliar D12/331
- D246,736 S * 12/1977 Barrett D21/449

1 Claim, 3 Drawing Sheets

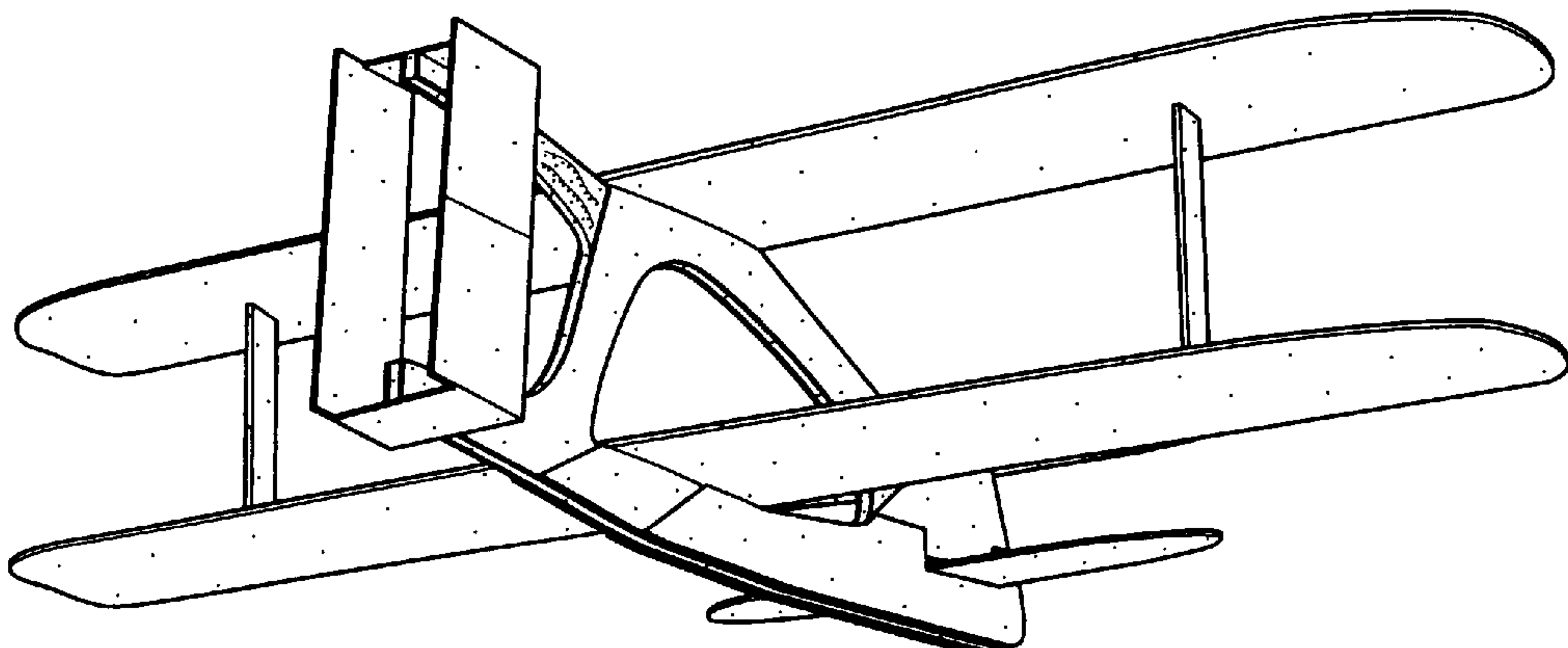
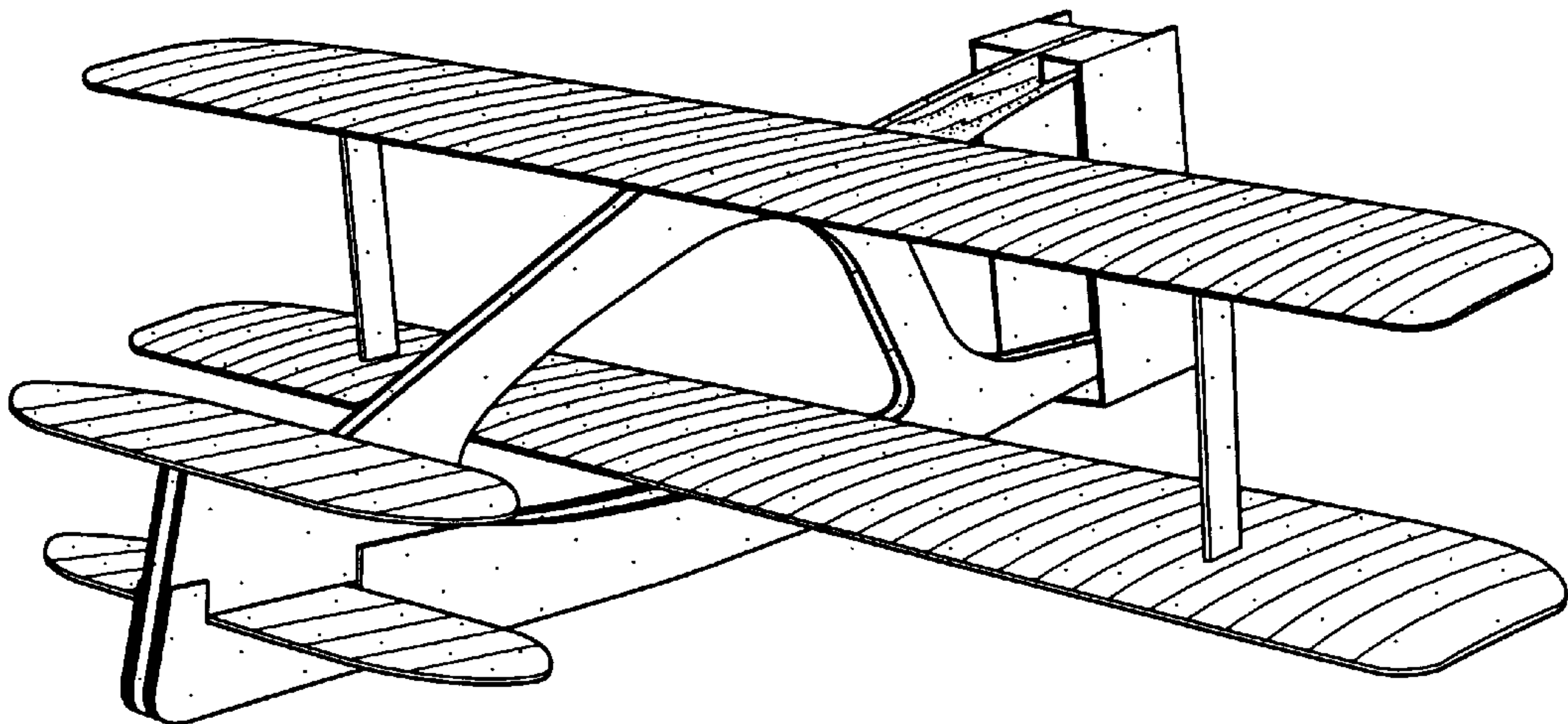


FIG. 1

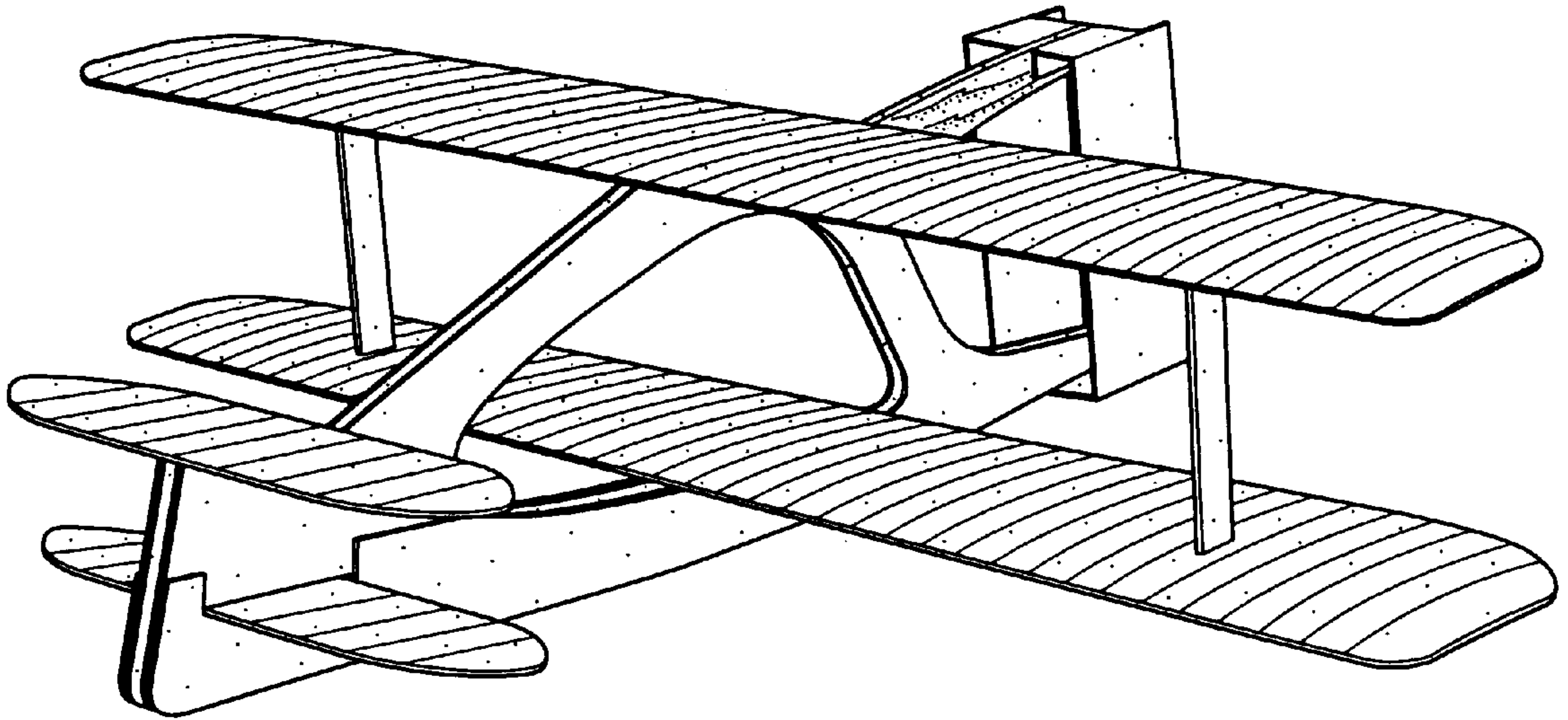


FIG. 2

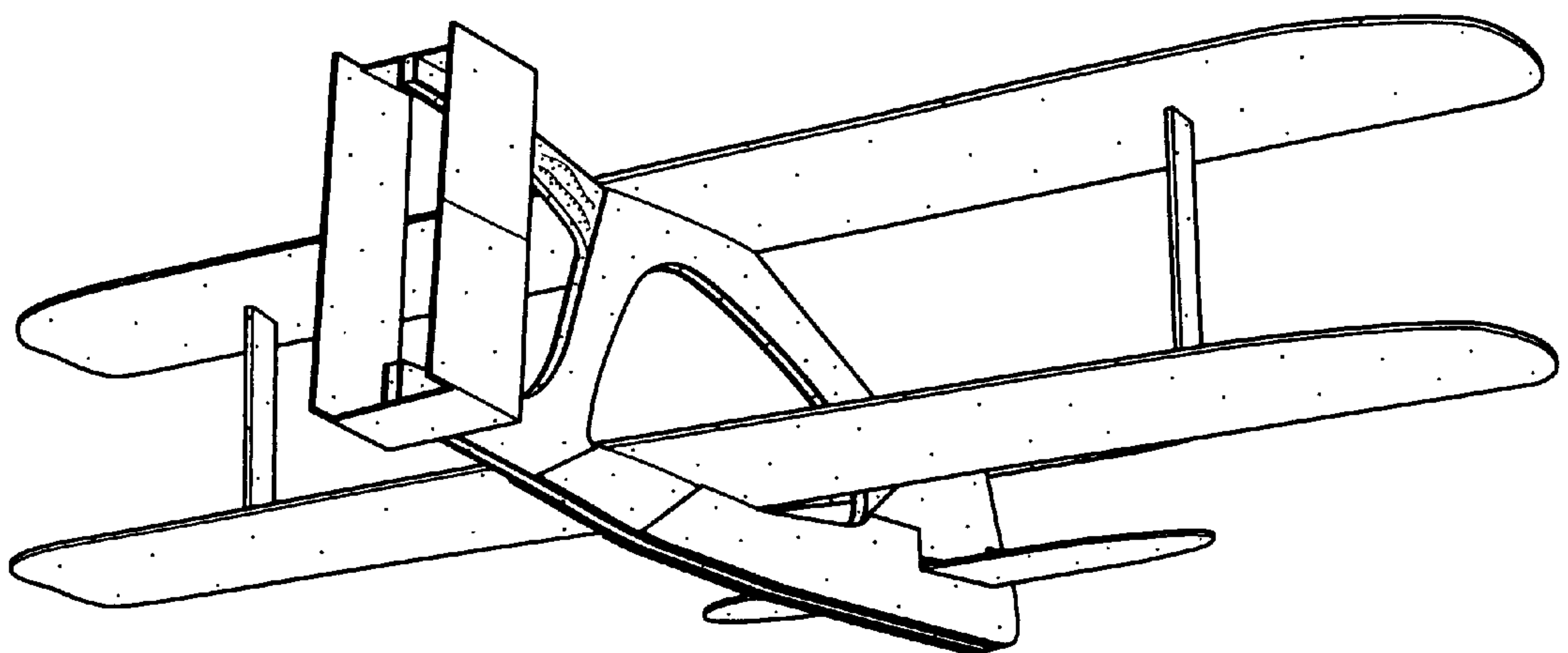


FIG. 3

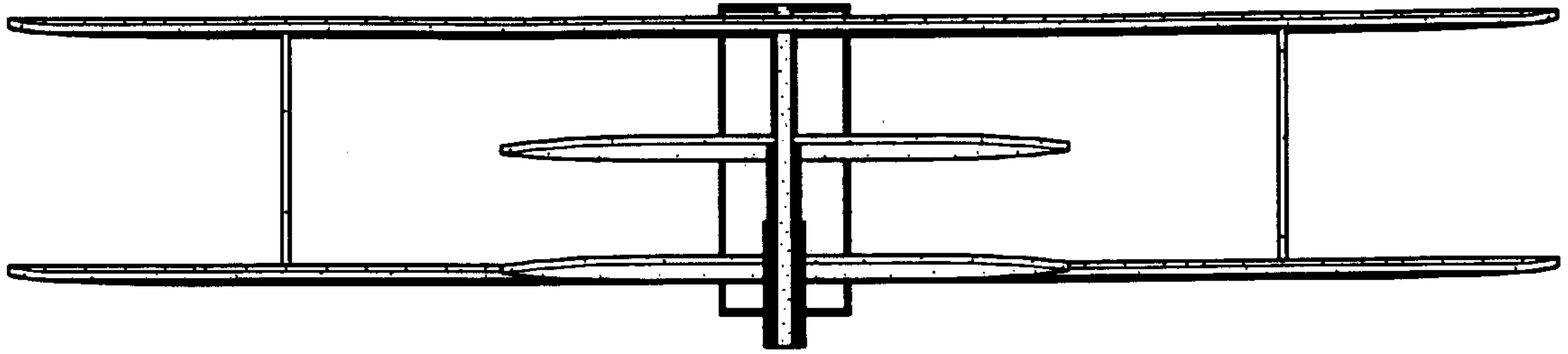


FIG. 4

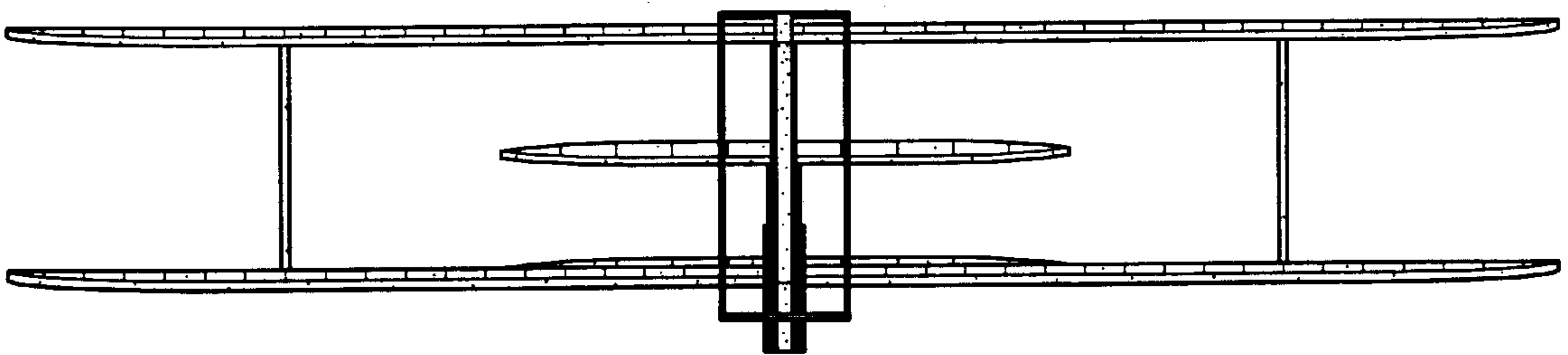


FIG. 5

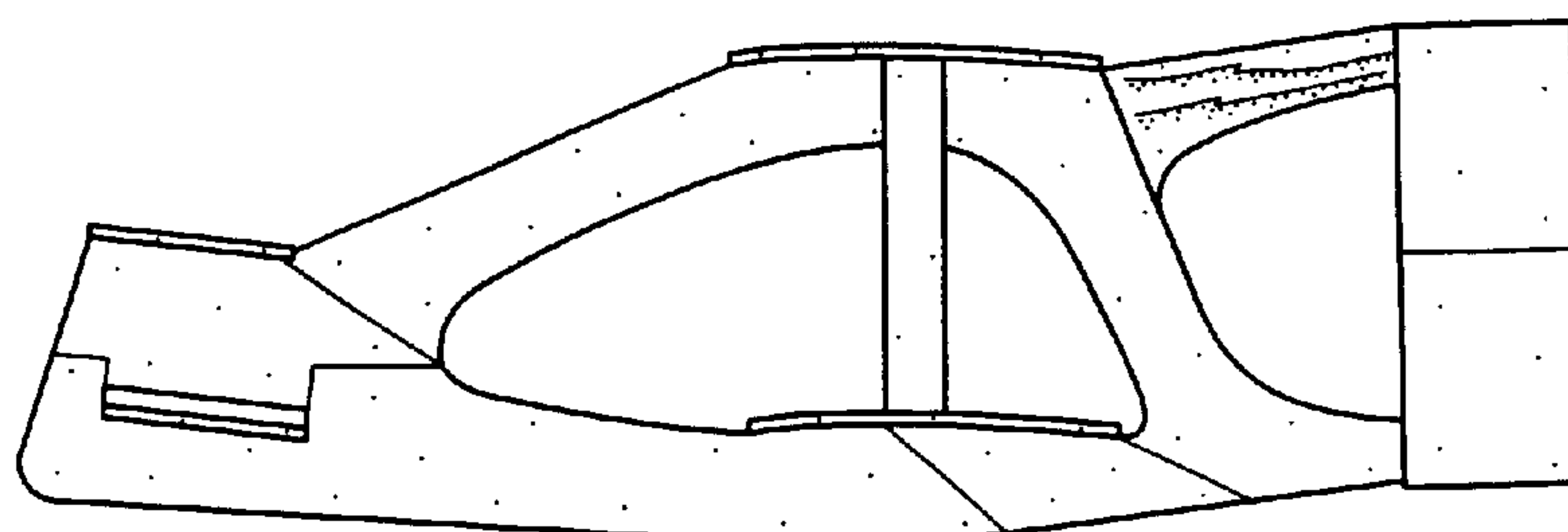


FIG. 6

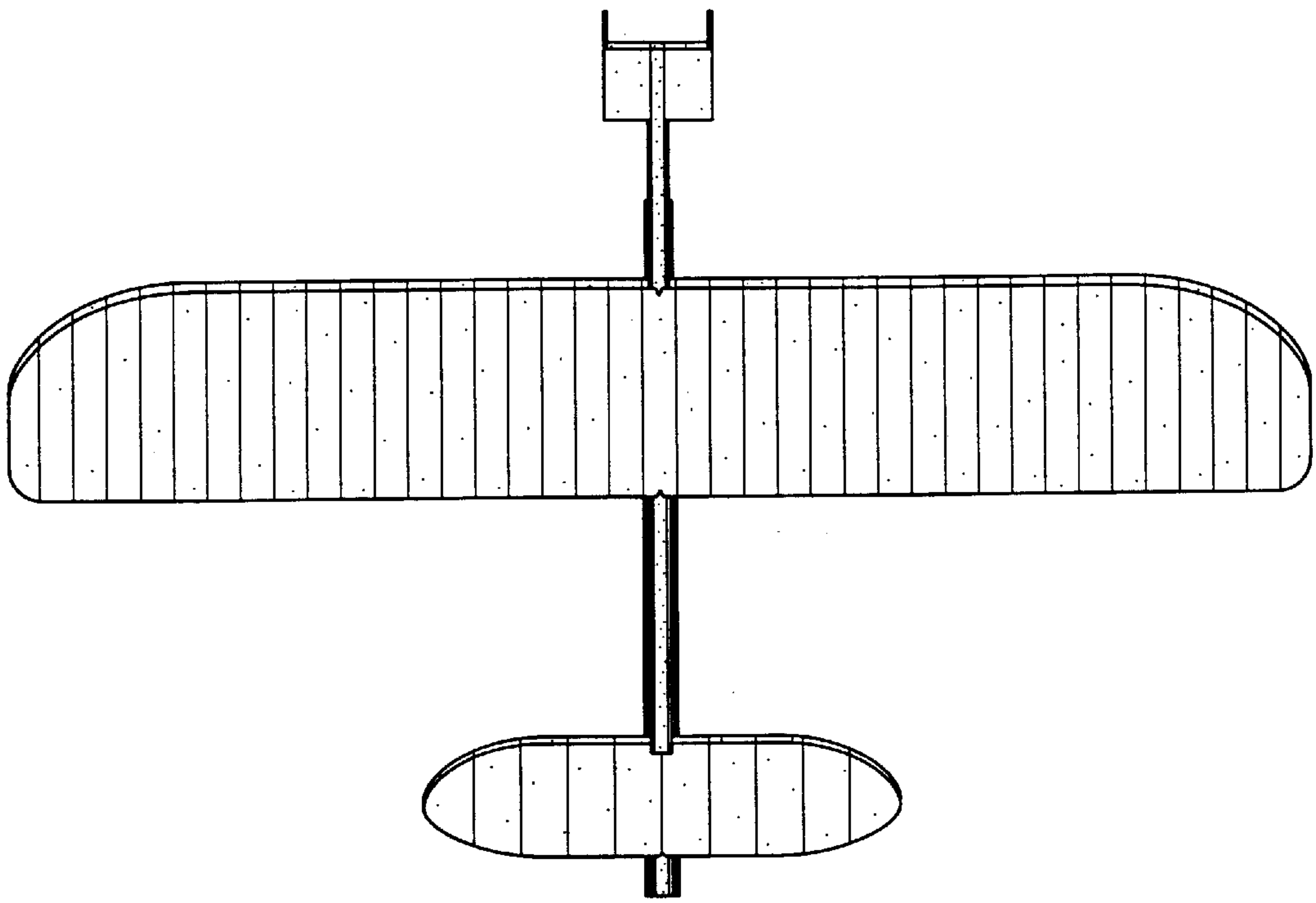


FIG. 7

