



US00D453945S

(12) **United States Design Patent**  
**Shan**

(10) **Patent No.:** **US D453,945 S**

(45) **Date of Patent:** **\*\* Feb. 26, 2002**

(54) **SIMULATED FLYING GAME APPARATUS**

(75) Inventor: **Tina Shan, Taipei (TW)**

(73) Assignee: **Best System Inc. (TW)**

(\*\*) Term: **14 Years**

(21) Appl. No.: **29/136,129**

(22) Filed: **Jan. 26, 2001**

(51) **LOC (7) Cl.** ..... **21-01**

(52) **U.S. Cl.** ..... **D21/326**

(58) **Field of Search** ..... D21/301, 324-333,  
D21/424, 427, 430, 436, 447, 453, 811;  
D14/496; 446/7, 230, 231, 473, 491; 273/317,  
351, 359, 148 B; 345/156, 903

(56) **References Cited**

**U.S. PATENT DOCUMENTS**

4,183,169 A \* 1/1980 Murphy ..... 446/231  
4,421,485 A \* 12/1983 Geschwender ..... 446/230  
4,571,205 A \* 2/1986 Zaruba et al. .... 446/491  
D300,938 S \* 5/1989 Delaney ..... D21/447

5,344,354 A \* 9/1994 Wiley ..... 446/7  
5,921,839 A \* 7/1999 Siren ..... 446/7  
D424,045 S \* 5/2000 Milton et al. .... D14/401  
6,203,393 B1 \* 3/2001 Flynn ..... 446/230

\* cited by examiner

*Primary Examiner*—Prabhakar Deshmukh

(74) *Attorney, Agent, or Firm*—Bacon & Thomas, PLLC

(57) **CLAIM**

The ornamental design for simulated flying game apparatus, as shown and described.

**DESCRIPTION**

FIG. 1 is a perspective view of the simulated flying game apparatus in accordance with the embodiment of the claimed design;

FIG. 2 is right side elevational view thereof;

FIG. 3 is top plan view thereof;

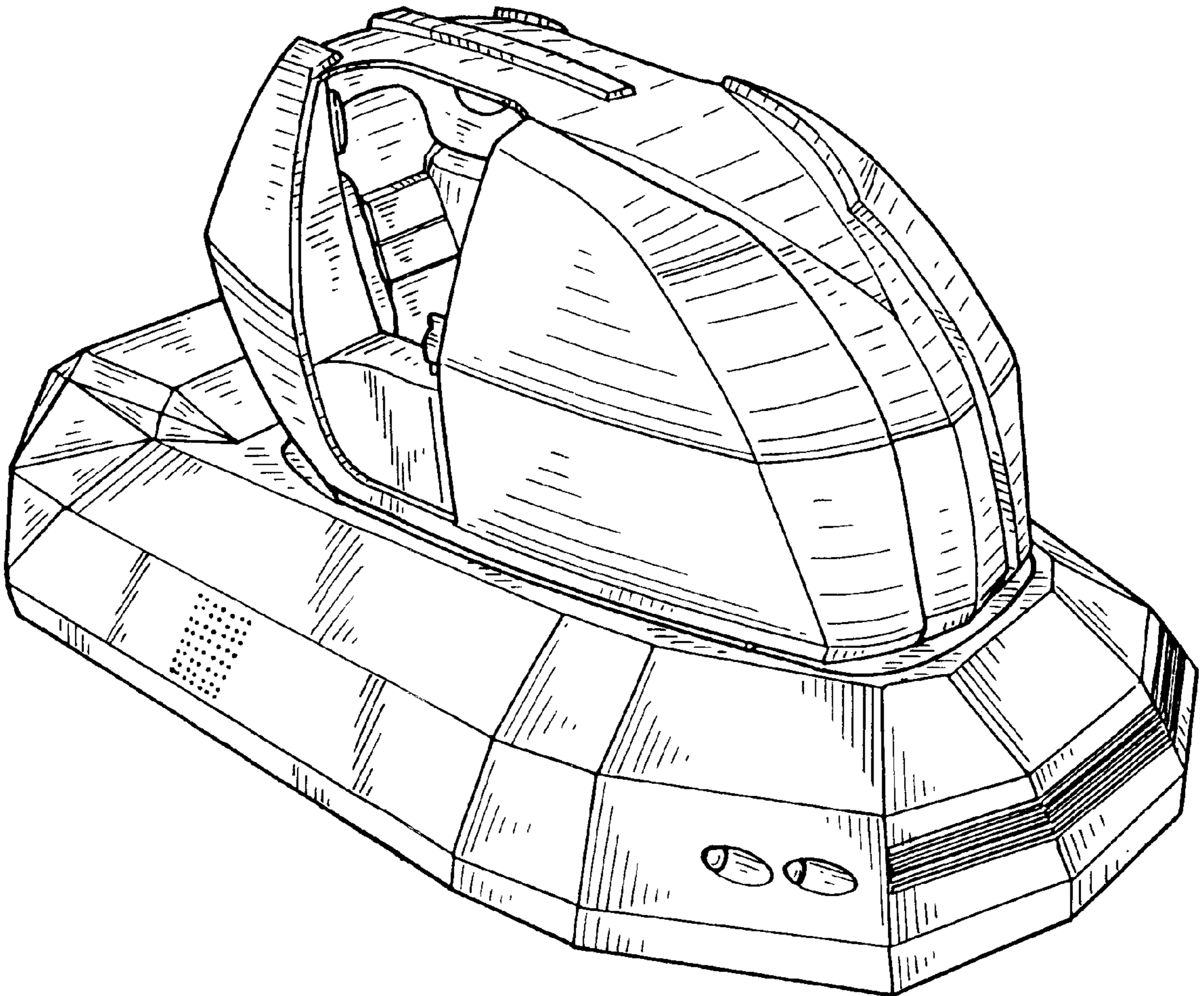
FIG. 4 is front elevational view thereof;

FIG. 5 is bottom plan view thereof;

FIG. 6 is left side elevational view thereof; and,

FIG. 7 is a rear elevational view thereof.

**1 Claim, 4 Drawing Sheets**



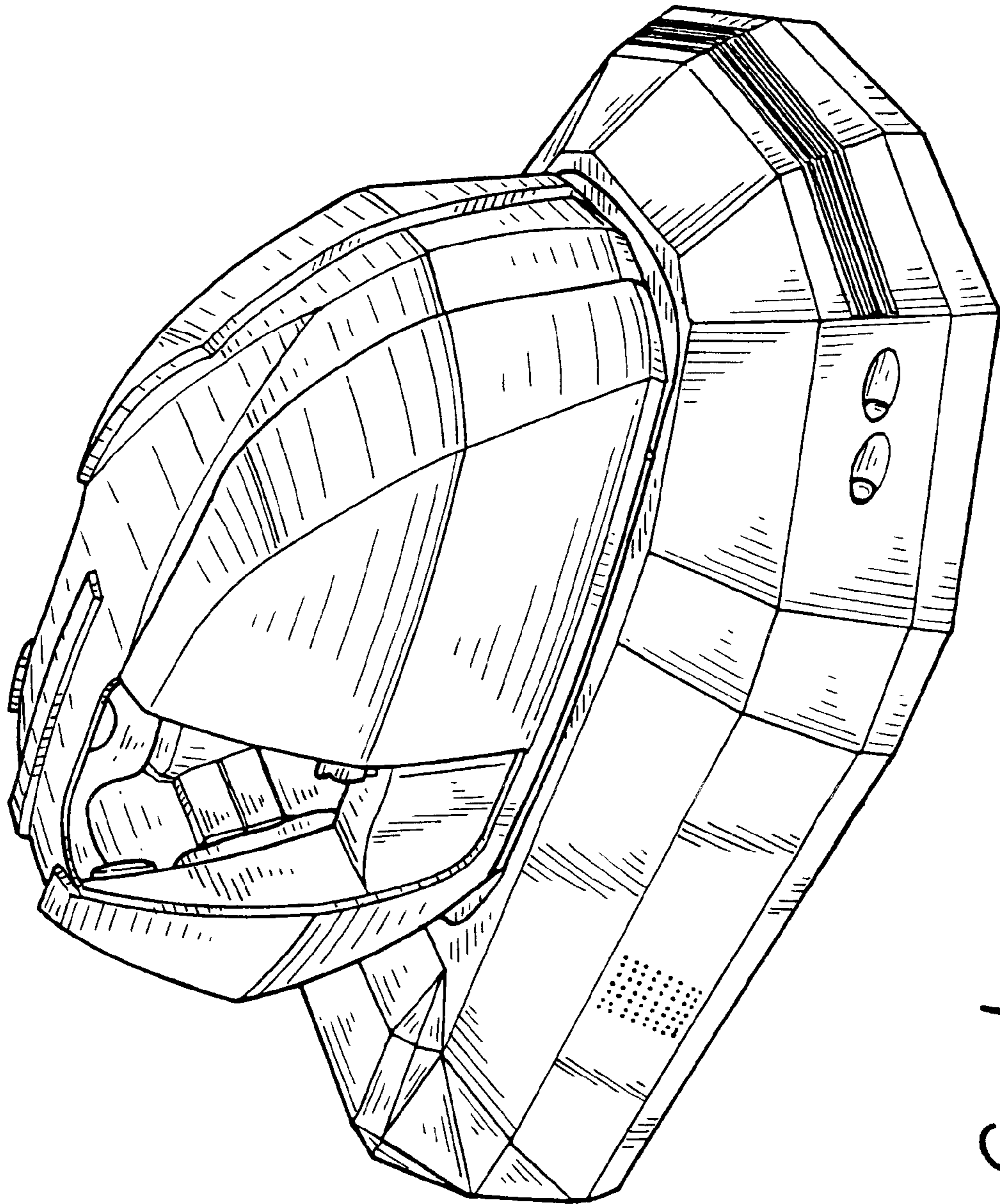


FIG. 1

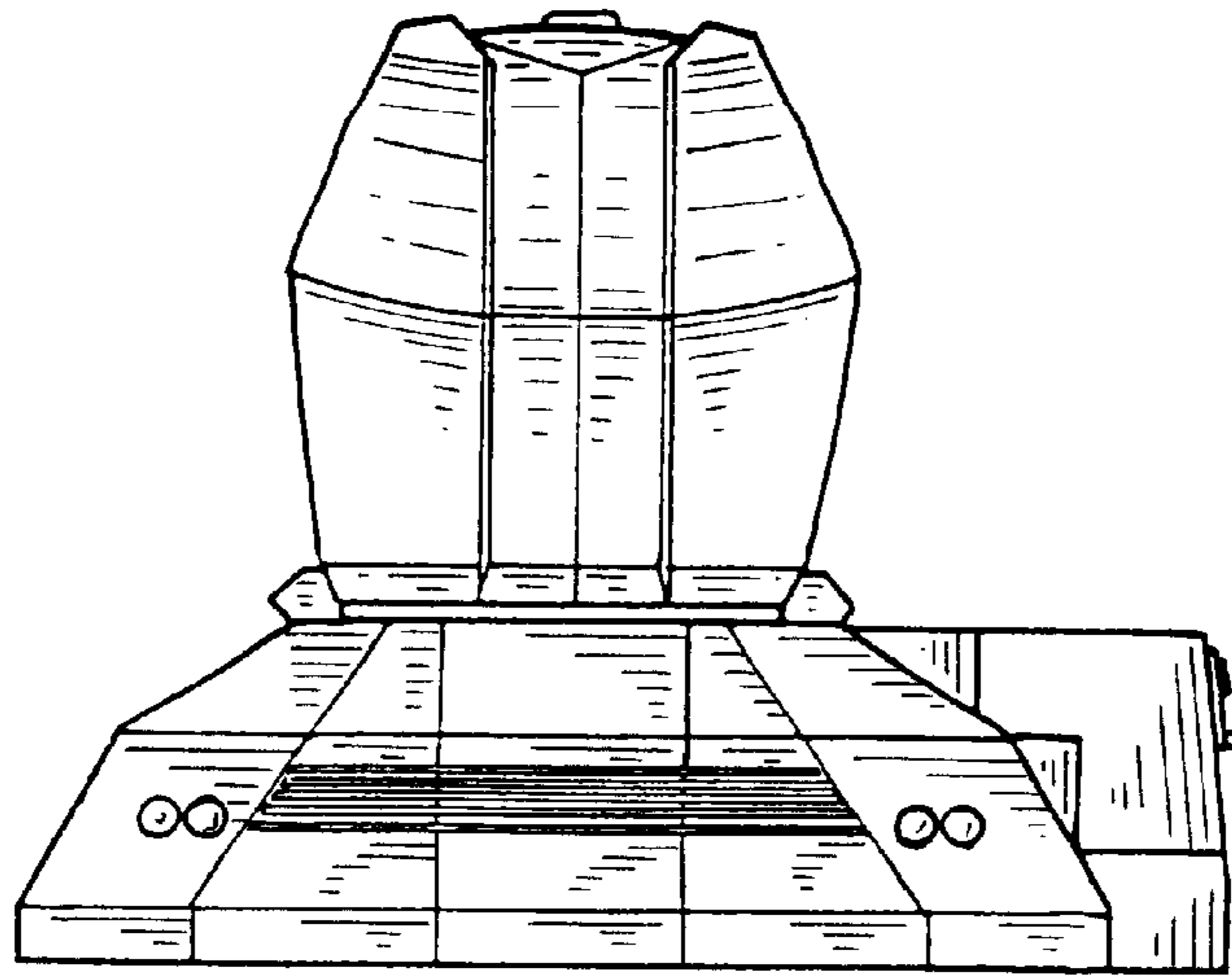


FIG. 2

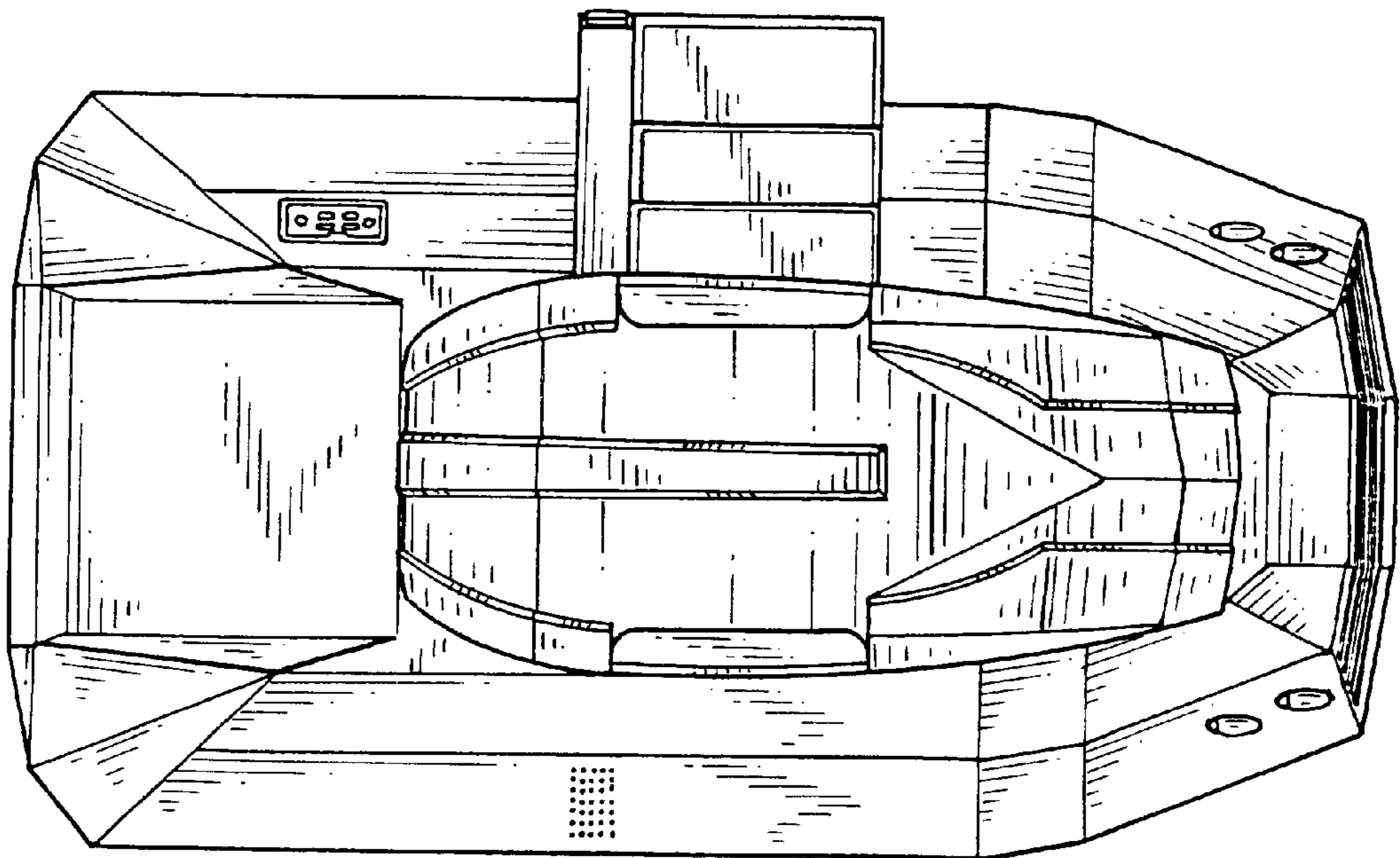


FIG. 3

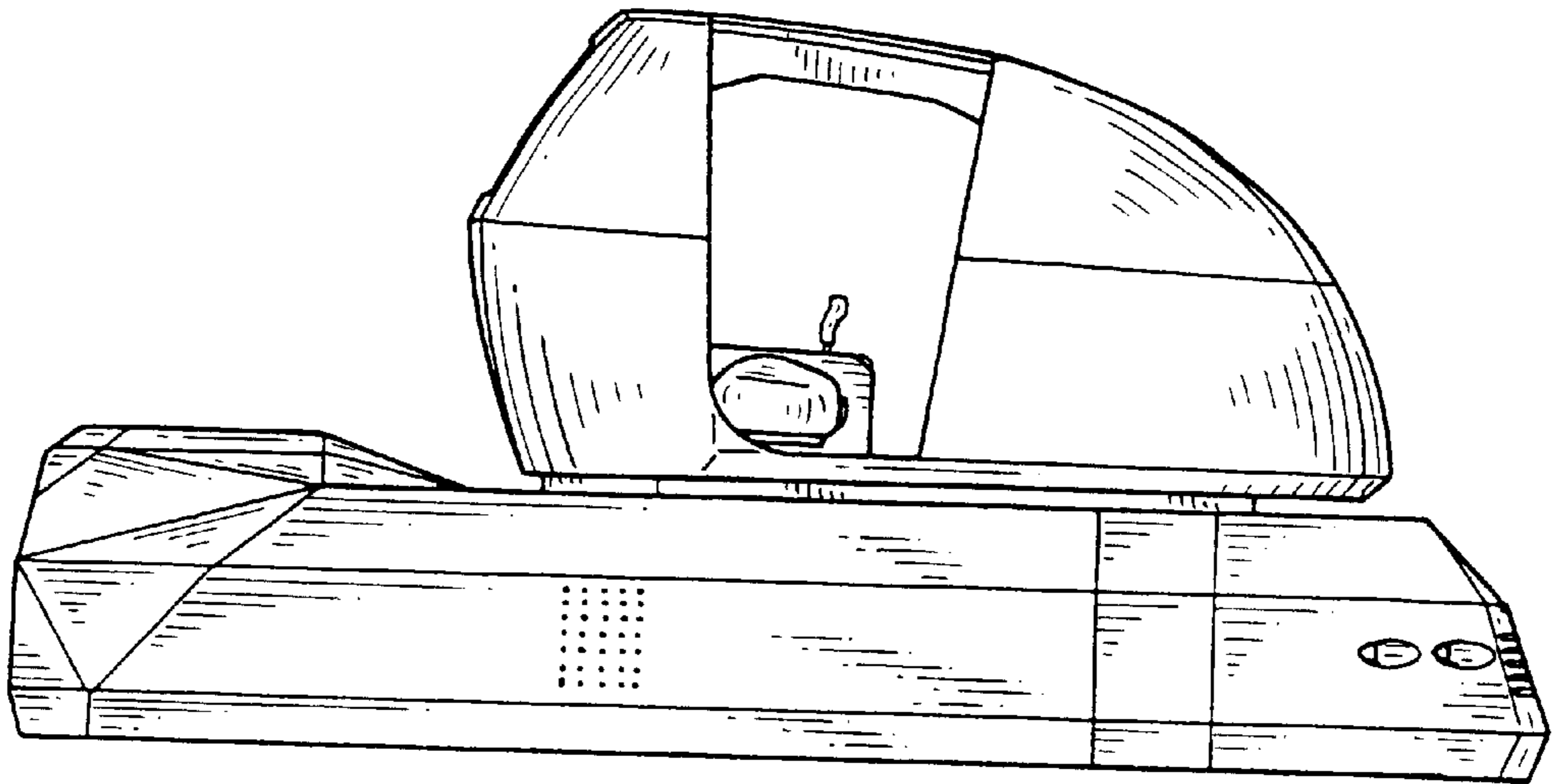


FIG. 4

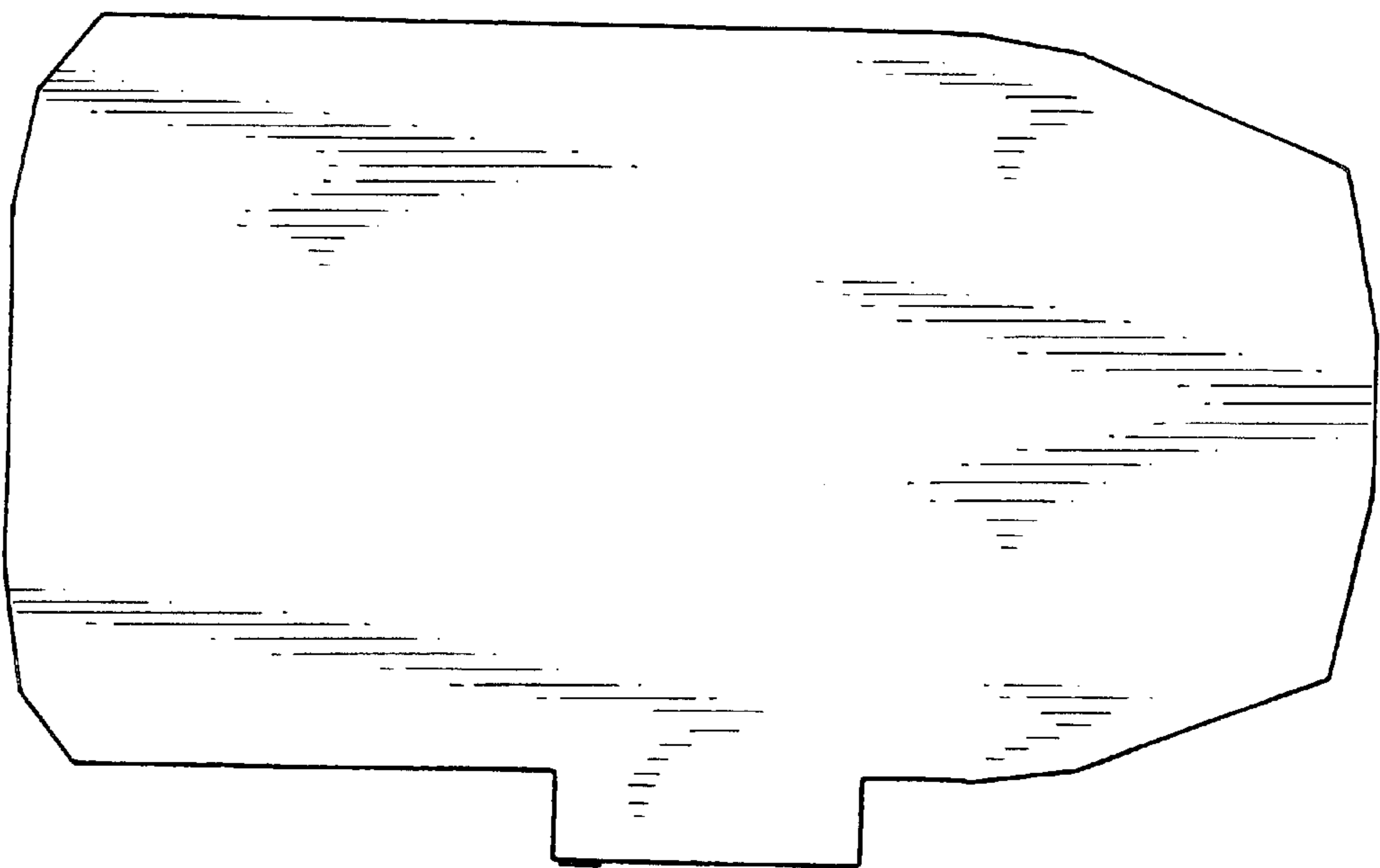


FIG. 5

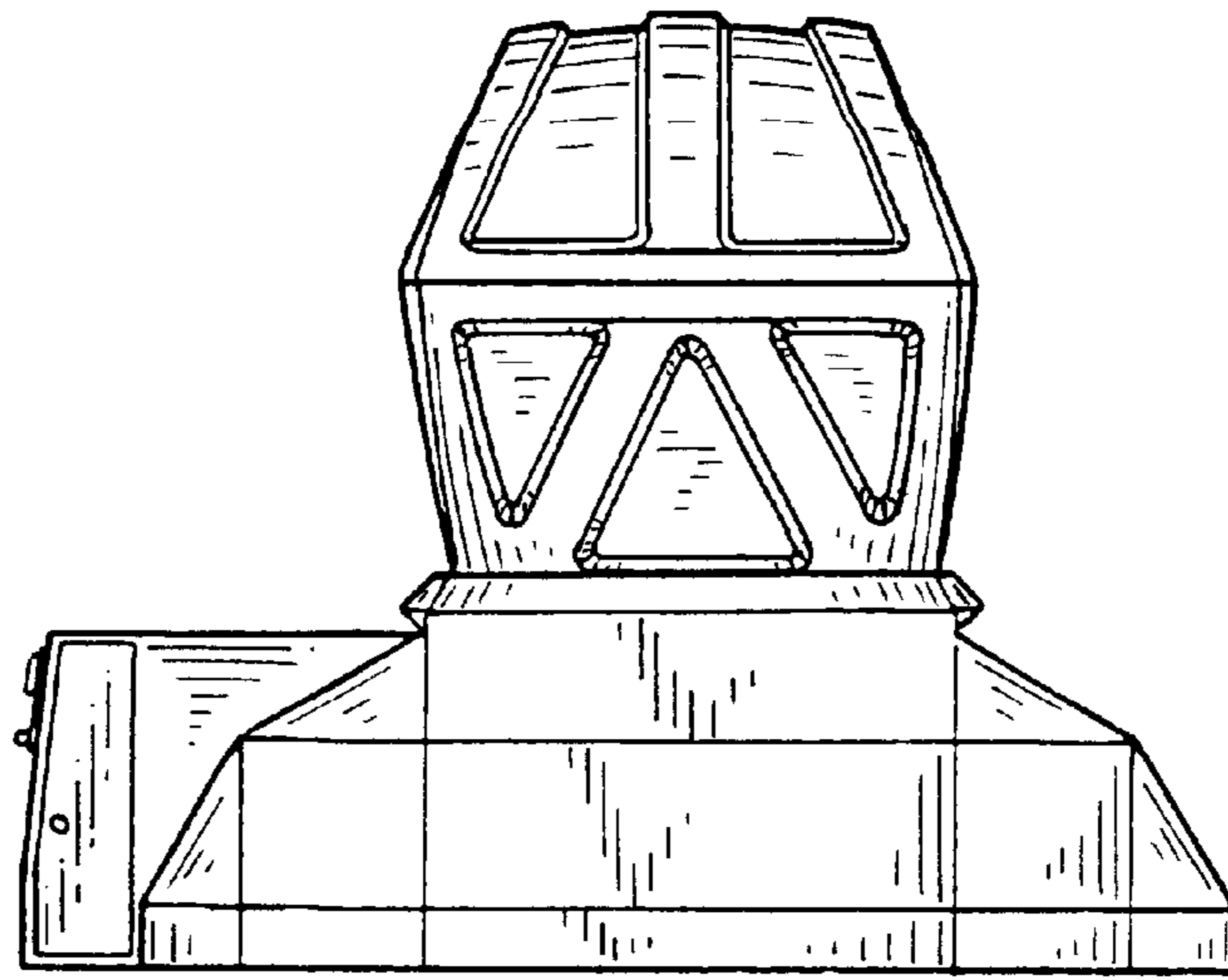


FIG. 6

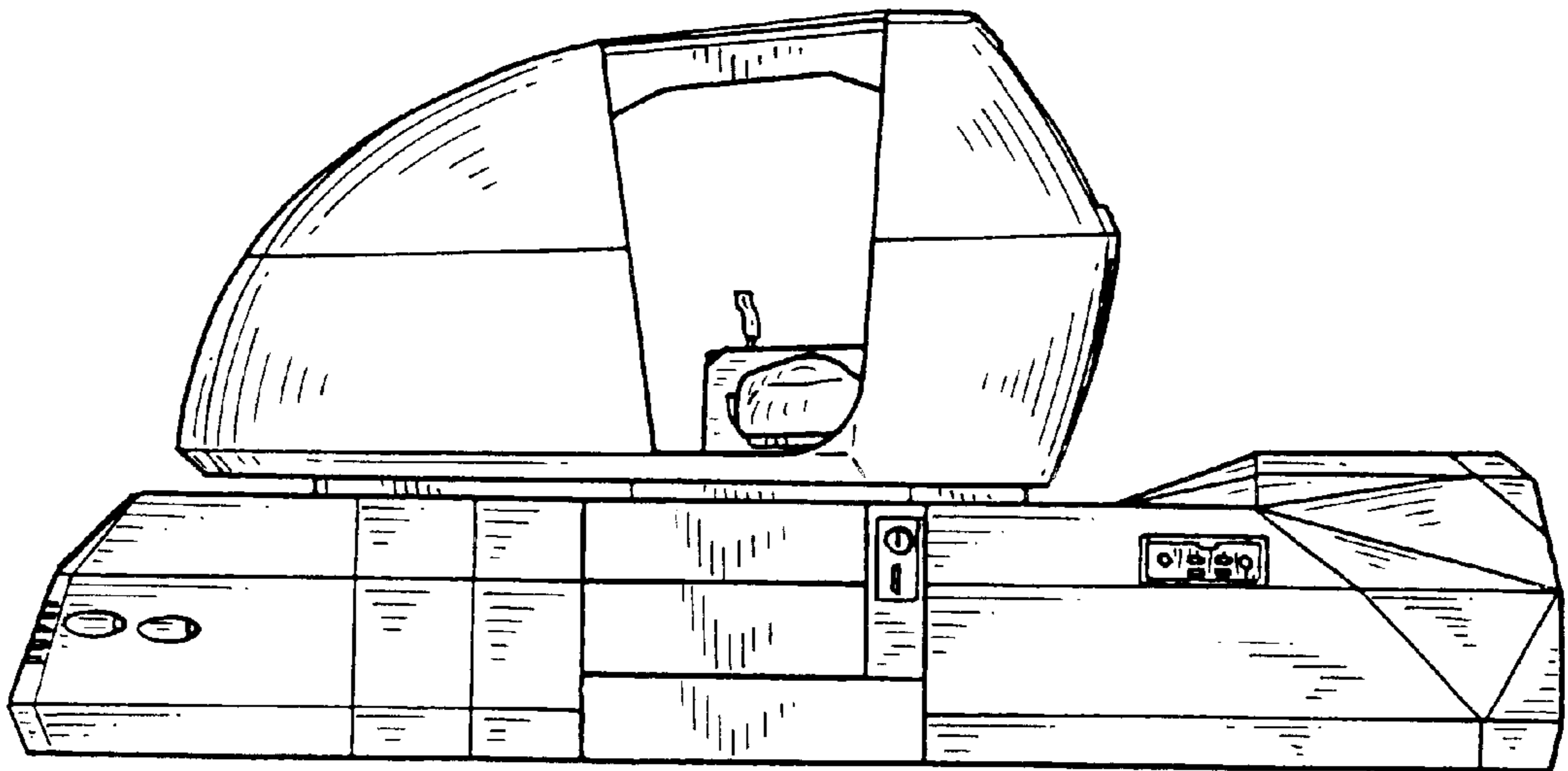


FIG. 7