



US00D453944S

(12) **United States Design Patent**
Schwarzli

(10) **Patent No.:** **US D453,944 S**

(45) **Date of Patent:** **** Feb. 26, 2002**

(54) **VENDING MACHINE ISLAND**
(75) Inventor: **Josef W. Schwarzli**, Stouffville (CA)
(73) Assignee: **Beaver Machine Corporation**,
Newmarket (CA)
(**) Term: **14 Years**

D333,681 S	3/1993	Stern	D20/7
5,190,133 A	* 3/1993	Bolen	194/350
D353,403 S	* 12/1994	Hinton	D20/7
5,452,822 A	9/1995	Haymond	221/155
D381,535 S	7/1997	Richardson	D6/495
D393,282 S	4/1998	Hutchinson et al.	D20/3 X
D399,878 S	10/1998	Lin	D20/7
D412,345 S	* 7/1999	Allen	D20/7
D429,501 S	8/2000	Schwarzli	D20/8
D434,077 S	11/2000	Schwarzli	D20/7

(21) Appl. No.: **29/141,143**
(22) Filed: **May 2, 2001**

FOREIGN PATENT DOCUMENTS

(30) **Foreign Application Priority Data**
Mar. 20, 2001 (CA) 2001-0701

CA	89749	6/2000
CA	89750	6/2000

(51) **LOC (7) Cl.** **20-01**
(52) **U.S. Cl.** **D20/8**
(58) **Field of Search** D20/1-9; 194/255,
194/281, 258, 350, 245, 247; 221/155,
240, 245, 199, 208

* cited by examiner

Primary Examiner—Prabhakar Deshmukh
(74) *Attorney, Agent, or Firm*—Dimock Stratton Clarizio;
Mark B. Eisen

(56) **References Cited**

(57) **CLAIM**

U.S. PATENT DOCUMENTS

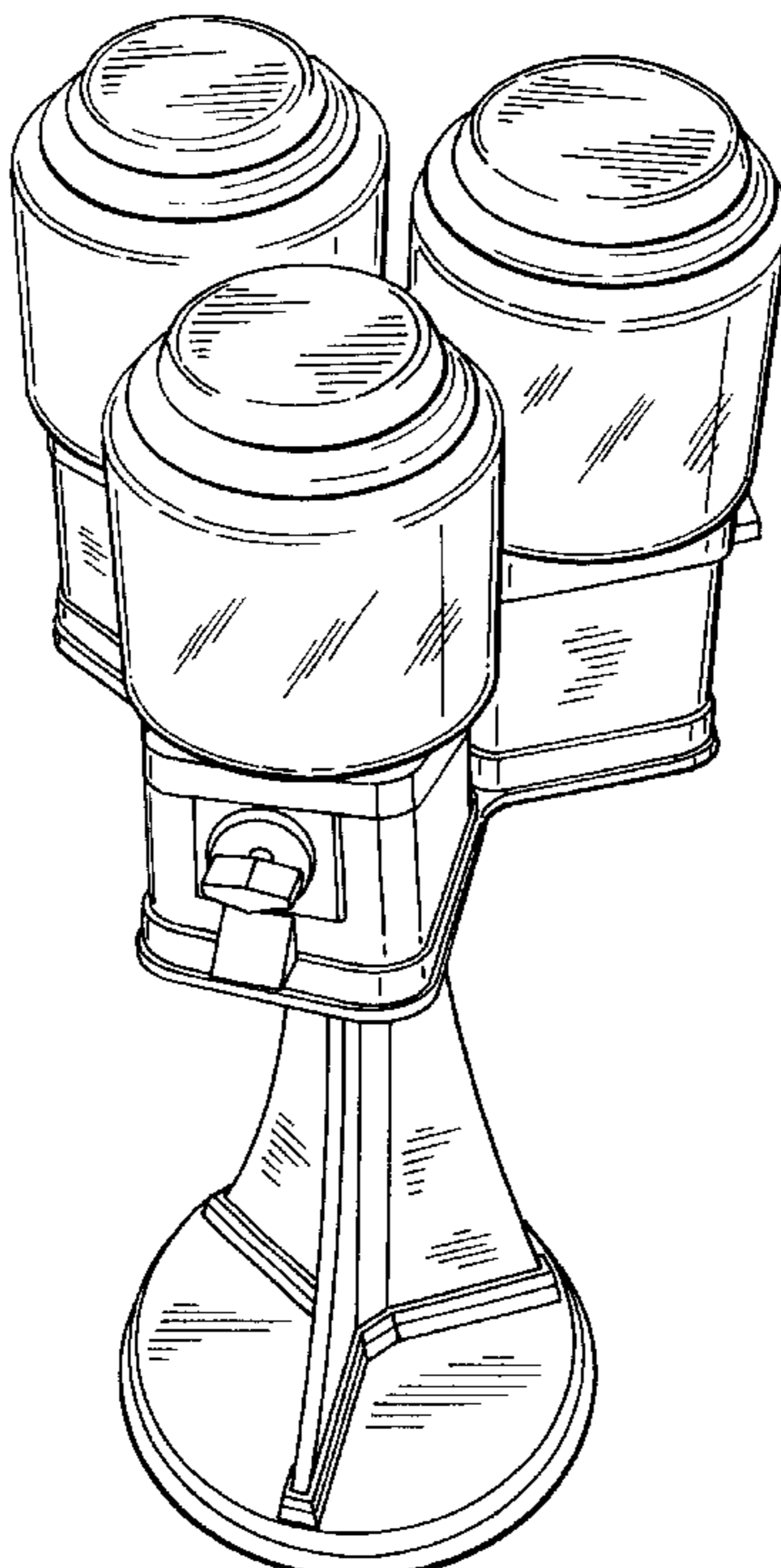
The ornamental design for a vending machine island, as shown and described.

D42,591 S	* 6/1912	Robbins	D20/8
D50,205 S	* 1/1917	McAdow	D20/8
D52,169 S	7/1918	Nelson	D6/301
D142,297 S	8/1945	Dupler	D6/495
D148,260 S	12/1947	Syverstad	D6/495
3,782,296 A	* 1/1974	Moretini	211/131
D260,215 S	8/1981	O'Neil	D6/495
D276,626 S	12/1984	Lockwood	D20/1 X
4,493,649 A	1/1985	Toung	434/138
5,082,101 A	* 1/1992	Baker et al.	194/350
5,131,519 A	* 7/1992	Ra	194/350

DESCRIPTION

FIG. 1 is perspective view of the vending machine island;
FIG. 2 is a front elevational view thereof;
FIG. 3 is a rear elevational view thereof;
FIG. 4 is a top plan view thereof;
FIG. 5 is a perspective view of a variant of FIG. 1;
FIG. 6 is a front elevational view of the variant of FIG. 5;
FIG. 7 is a rear elevational view of the variant of FIG. 5; and,
FIG. 8 is a top plan view of the variant of FIG. 5.

1 Claim, 5 Drawing Sheets



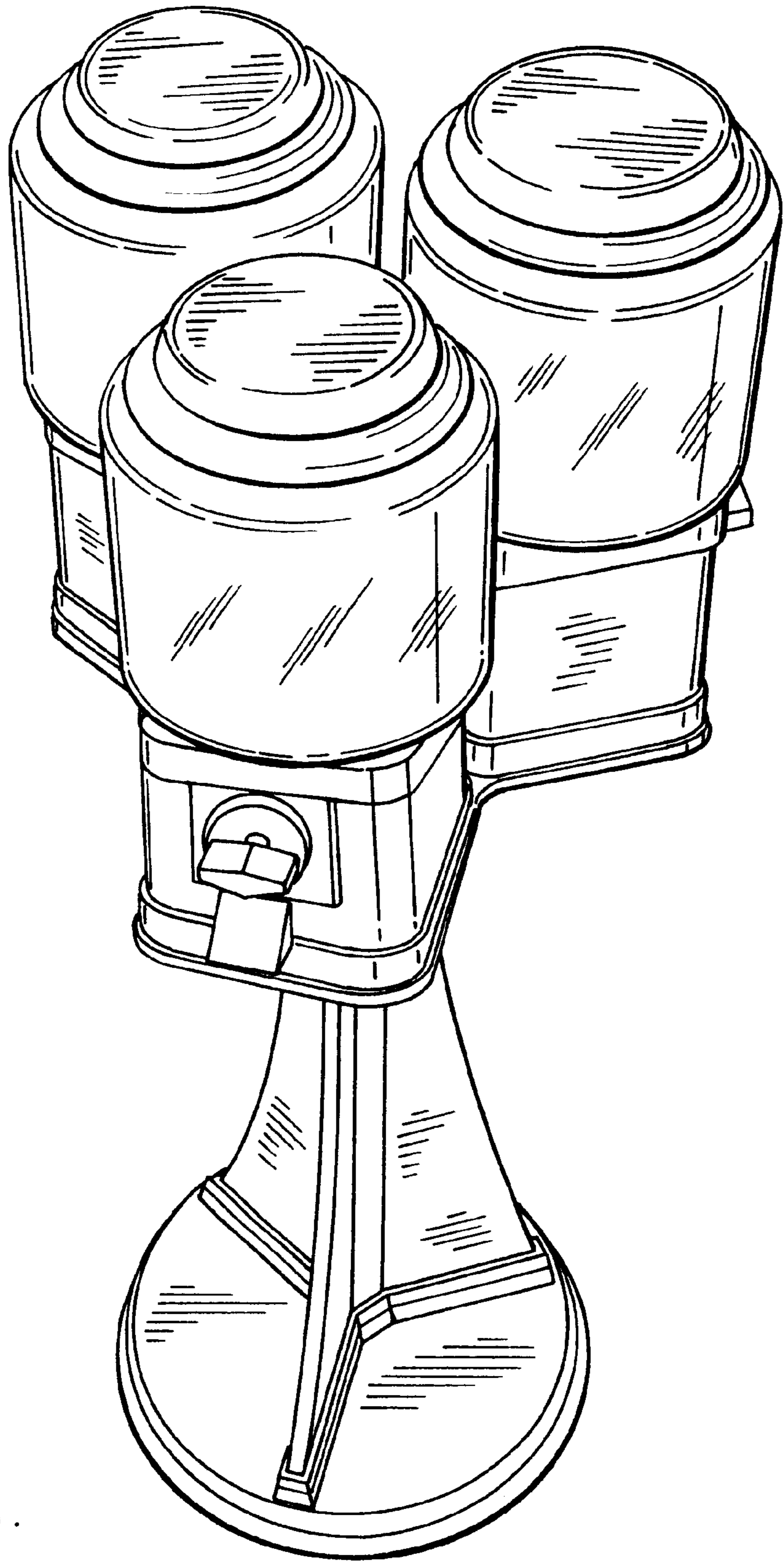


FIG.1.

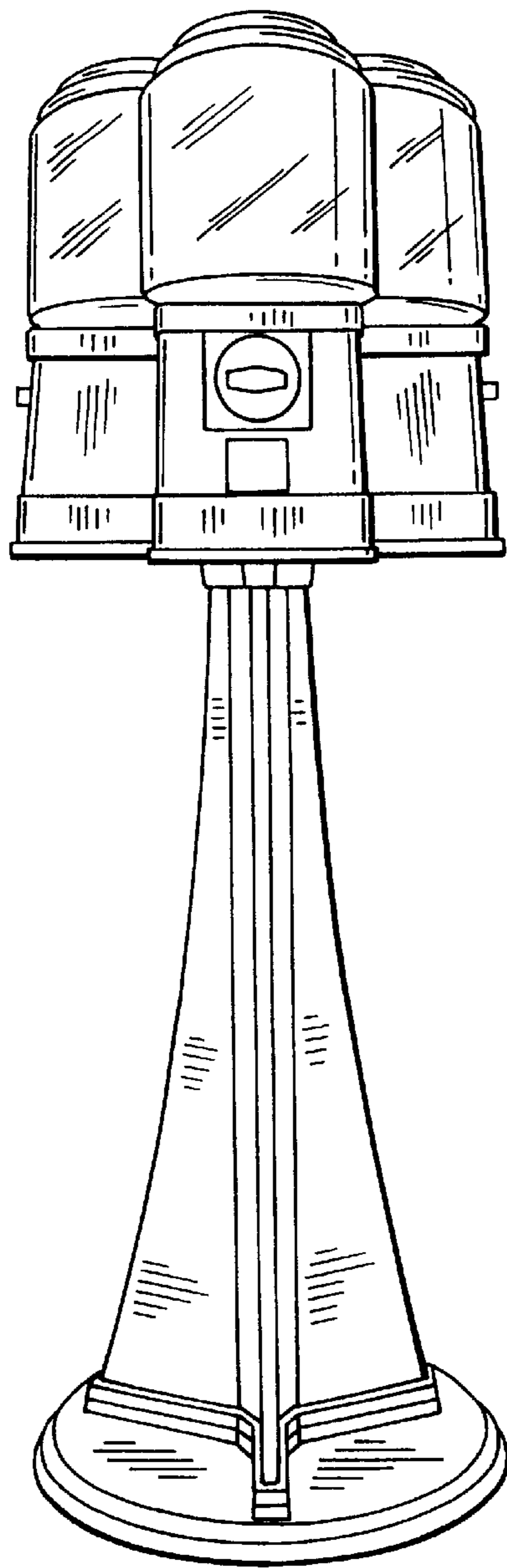


FIG. 2.

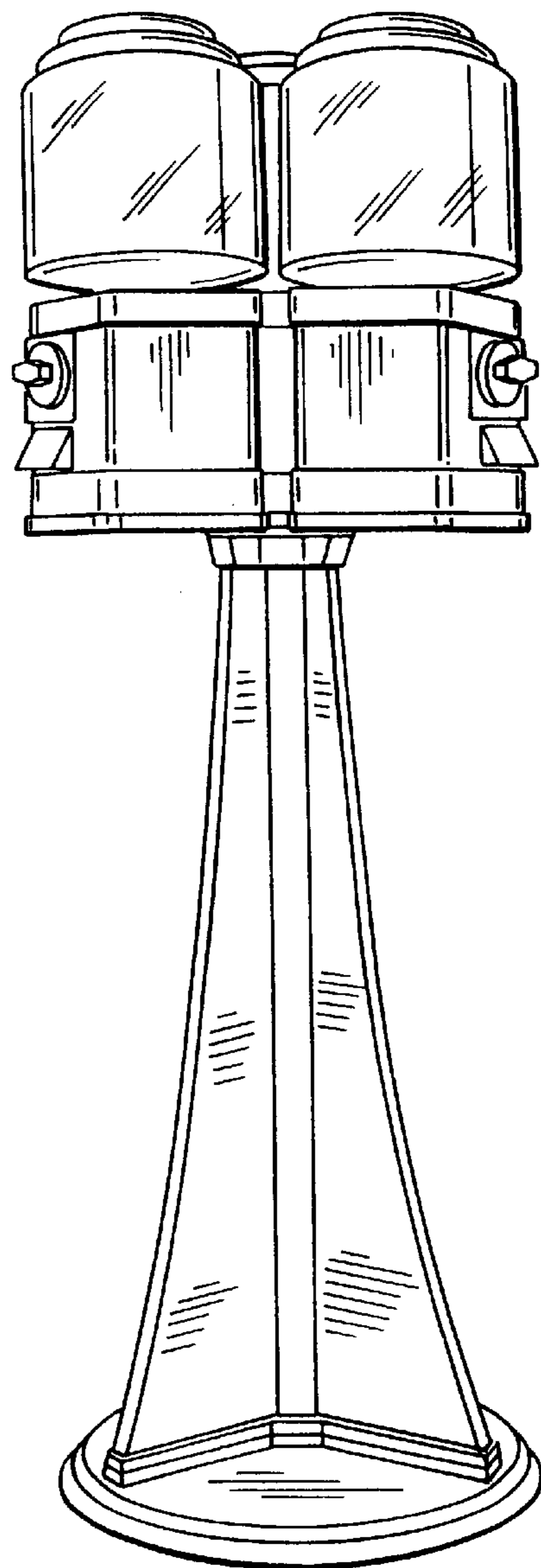


FIG. 3.

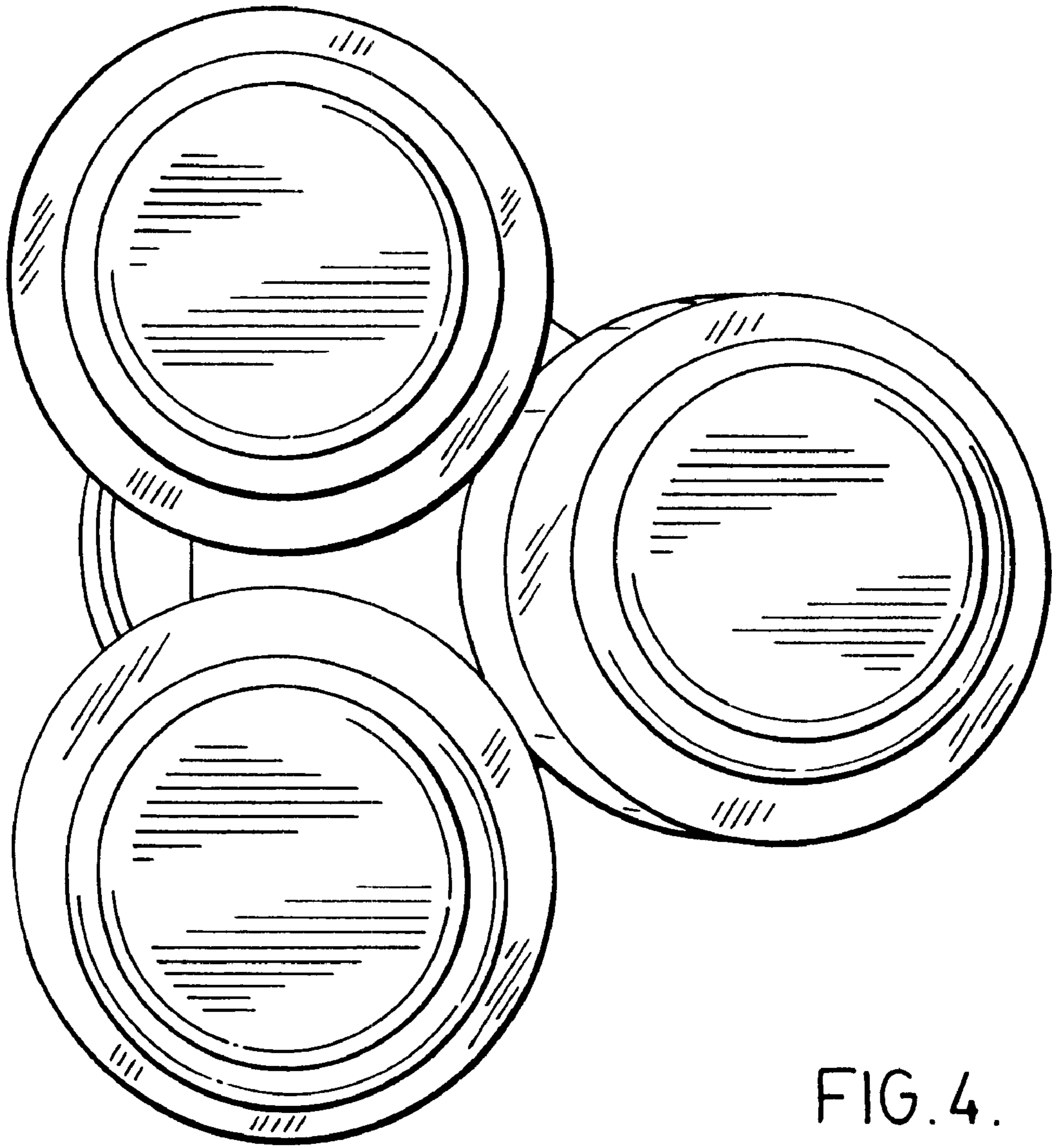


FIG. 4.

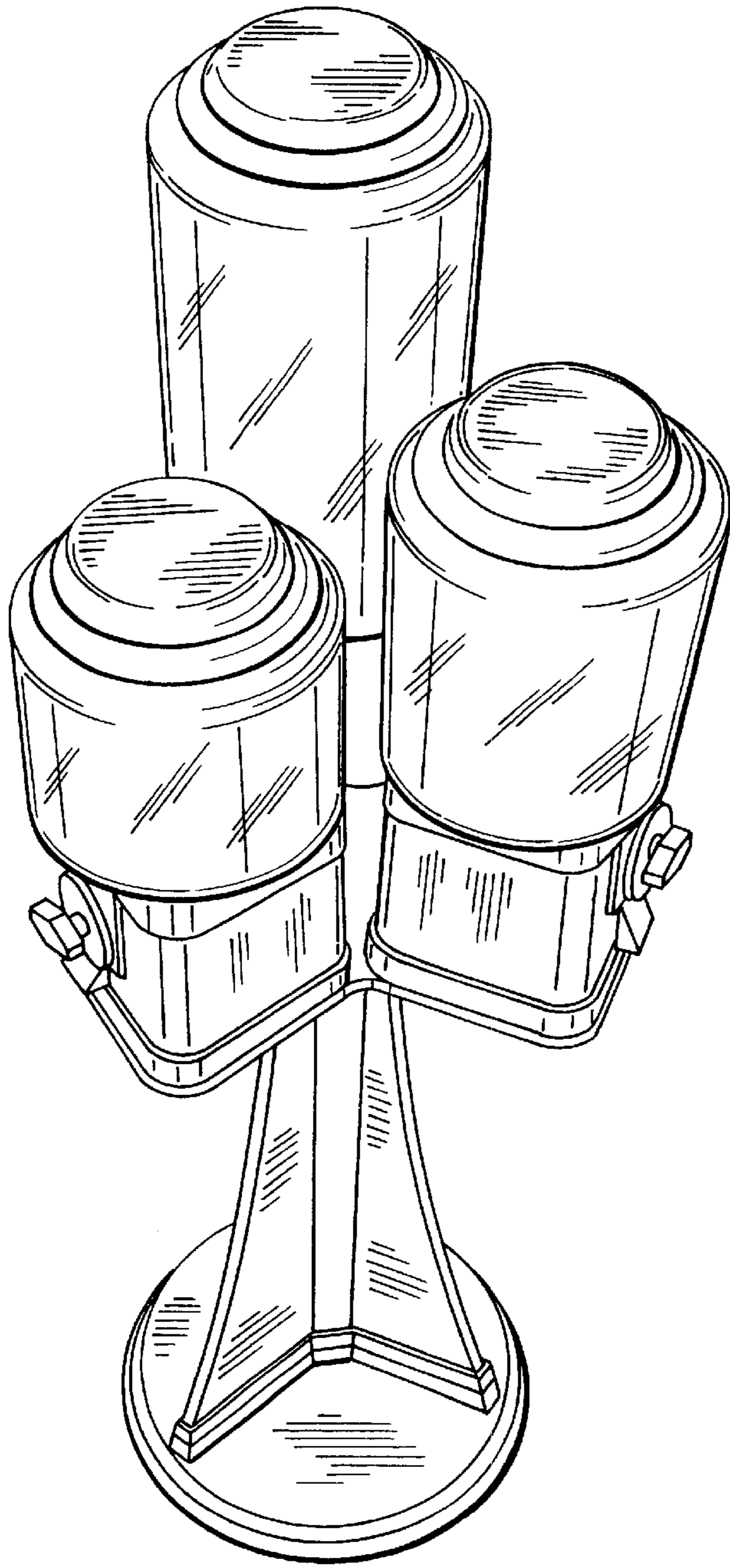


FIG. 5.

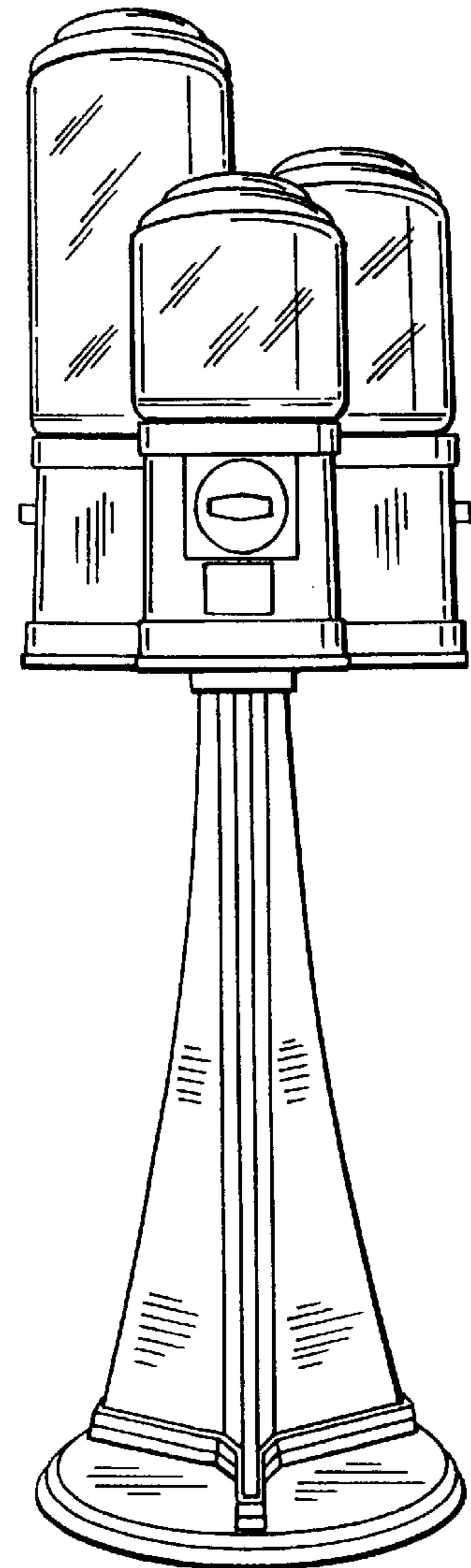


FIG. 6.

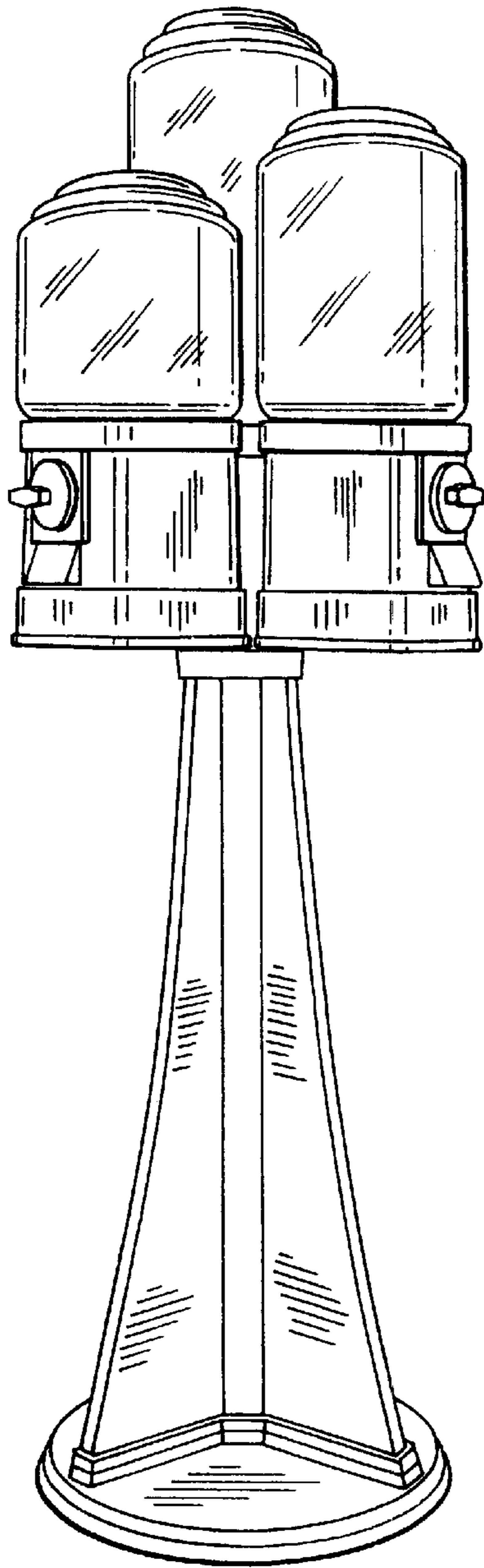


FIG. 7.

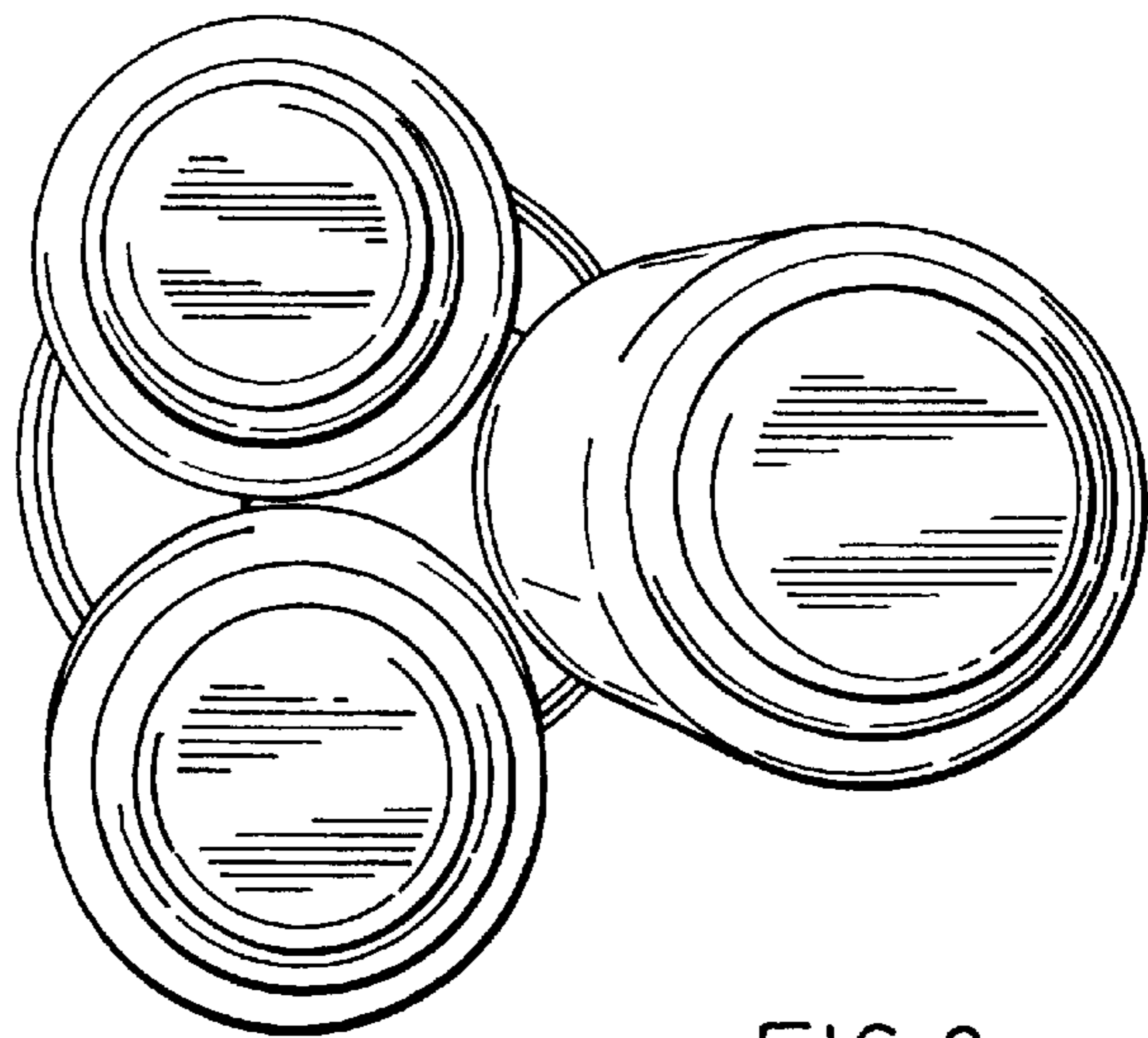


FIG. 8.