



US00D453942S

(12) **United States Design Patent** (10) **Patent No.:** **US D453,942 S**
Suzuki et al. (45) **Date of Patent:** **** Feb. 26, 2002**

(54) **LENS SHUTTER CAMERA**

OTHER PUBLICATIONS

(75) Inventors: **Tatsuya Suzuki; Yasuo Funakoshi,**
both of Tokyo (JP)

Olympus catalog, cover page Nov. 1, 1998 (Camedia C-900 Zoom).*

(73) Assignee: **Olympus Optical Co., Ltd.,** Tokyo (JP)

* cited by examiner

(**) Term: **14 Years**

Primary Examiner—Adir Aronovich

(74) *Attorney, Agent, or Firm*—Hogan & Hartson, LLP

(21) Appl. No.: **29/126,966**

(57) **CLAIM**

(22) Filed: **Jul. 27, 2000**

The ornamental design for a lens shutter camera, as shown and described.

Related U.S. Application Data

DESCRIPTION

(62) Division of application No. 29/093,191, filed on Sep. 4, 1998, now Pat. No. Des. 436,978.

(51) **LOC (7) Cl.** **16-05**

(52) **U.S. Cl.** **D16/219; D16/212**

(58) **Field of Search** D16/200-204,
D16/208, 209, 211, 212, 218, 219; D20/22,
23; 396/348-350, 448, 535-541

FIG. 1 is a front, top and right side perspective view of a lens shutter camera, showing our new design;

FIG. 2 is a top plan view thereof;

FIG. 3 is a front elevational view thereof;

FIG. 4 is a left side elevational view thereof;

FIG. 5 is a right side elevational view thereof;

FIG. 6 is a rear elevational view thereof;

FIG. 7 is a bottom plan view thereof; and,

FIG. 8 is a top plan view thereof with a cover in an opened state, a lens-barrel extended and an electronic flashing unit in a raised state.

(56) **References Cited**

U.S. PATENT DOCUMENTS

| | | | | | |
|-------------|---|---------|------------------|-------|---------|
| D257,983 S | * | 1/1981 | Maitani | | D16/209 |
| 4,557,574 A | * | 12/1985 | Kohno et al. | | 396/448 |
| D389,849 S | * | 1/1998 | Kim | | D16/209 |
| D415,511 S | * | 10/1999 | Funakoshi et al. | | D16/209 |
| 5,970,265 A | * | 10/1999 | Schelling | | 396/348 |
| D428,038 S | * | 7/2000 | Suto | | D16/219 |

The broken portions of a lens shutter camera are illustrated to show the environment only and form no part of the claimed design.

1 Claim, 3 Drawing Sheets

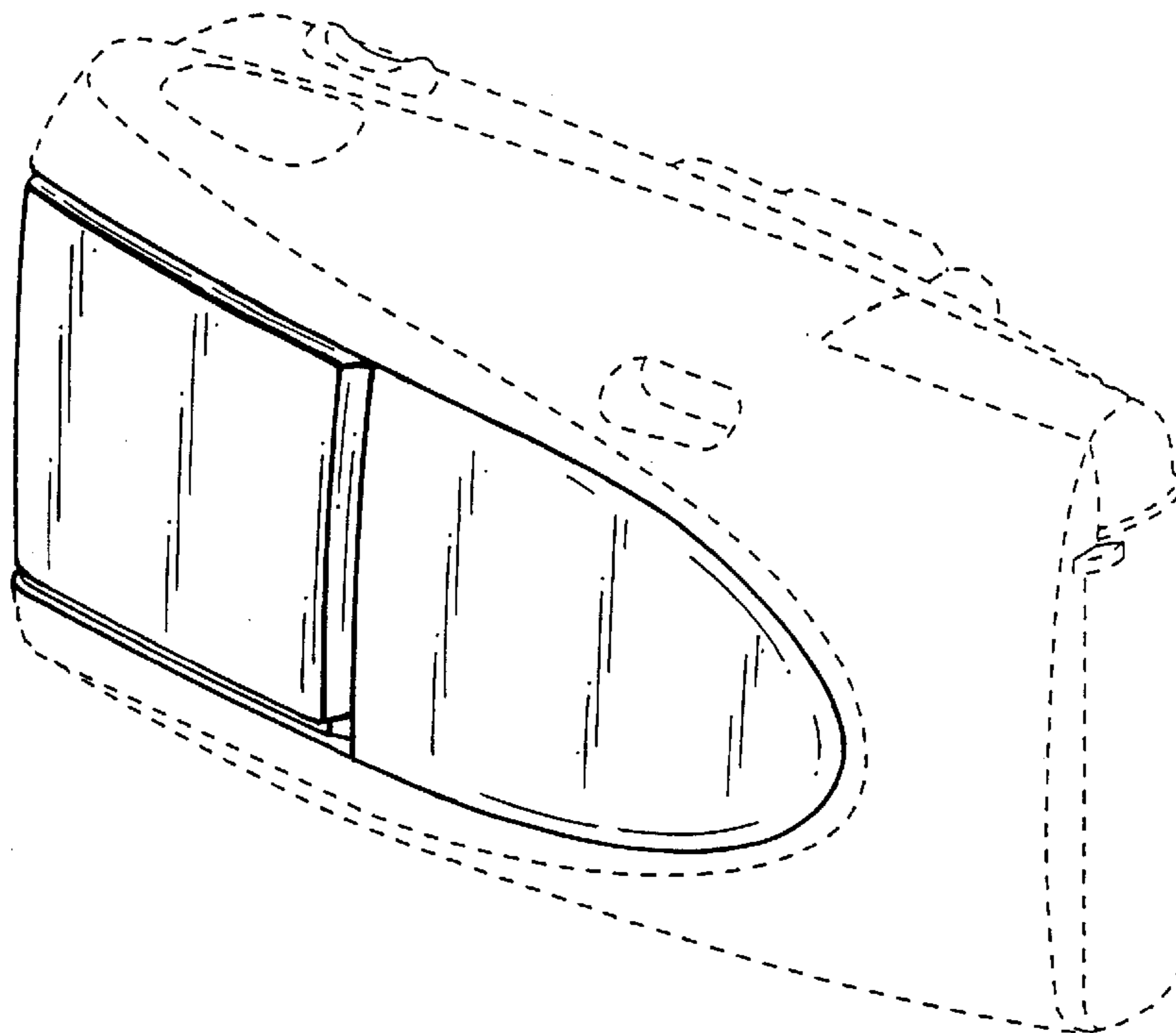


FIG. 1

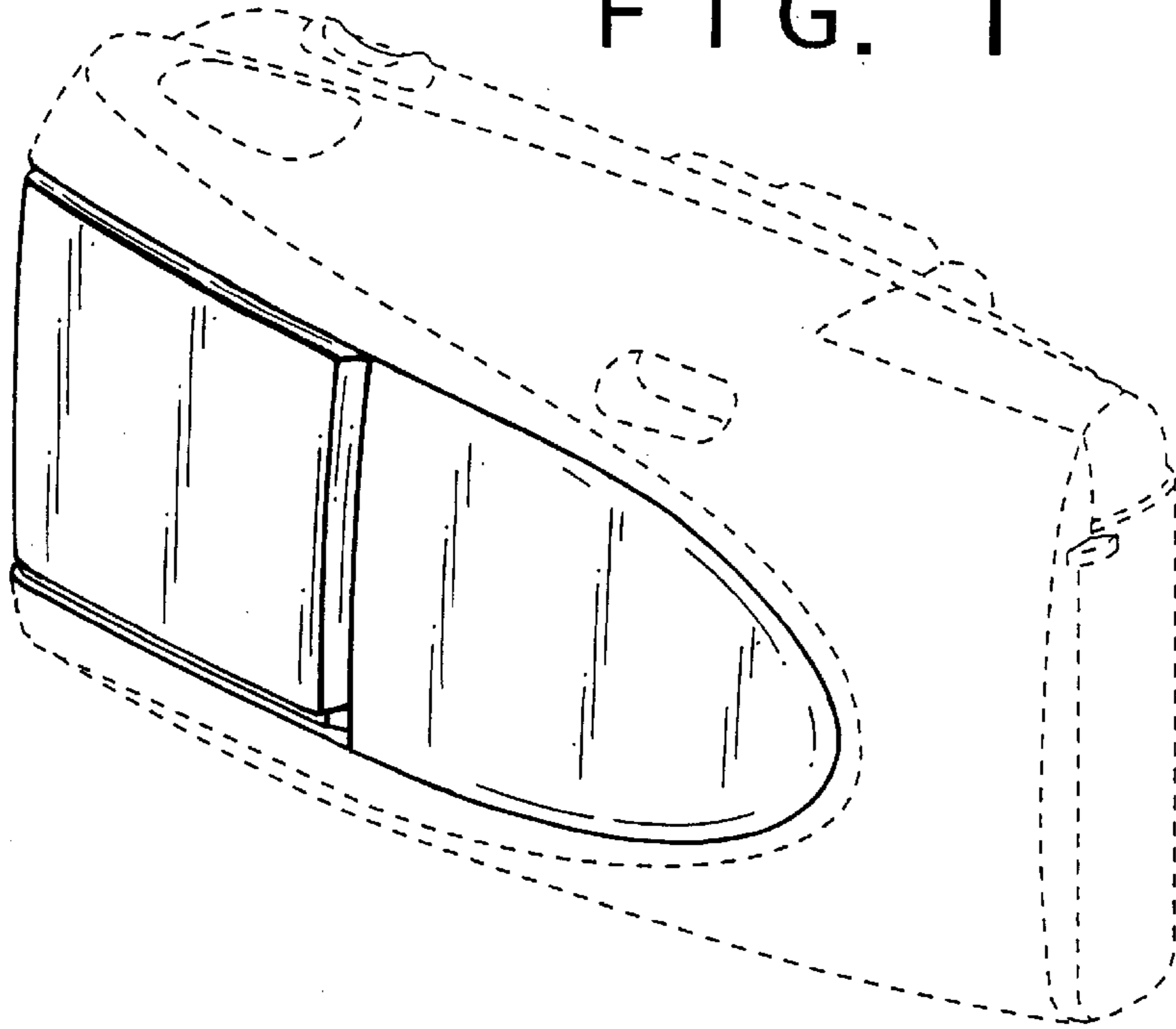


FIG. 2

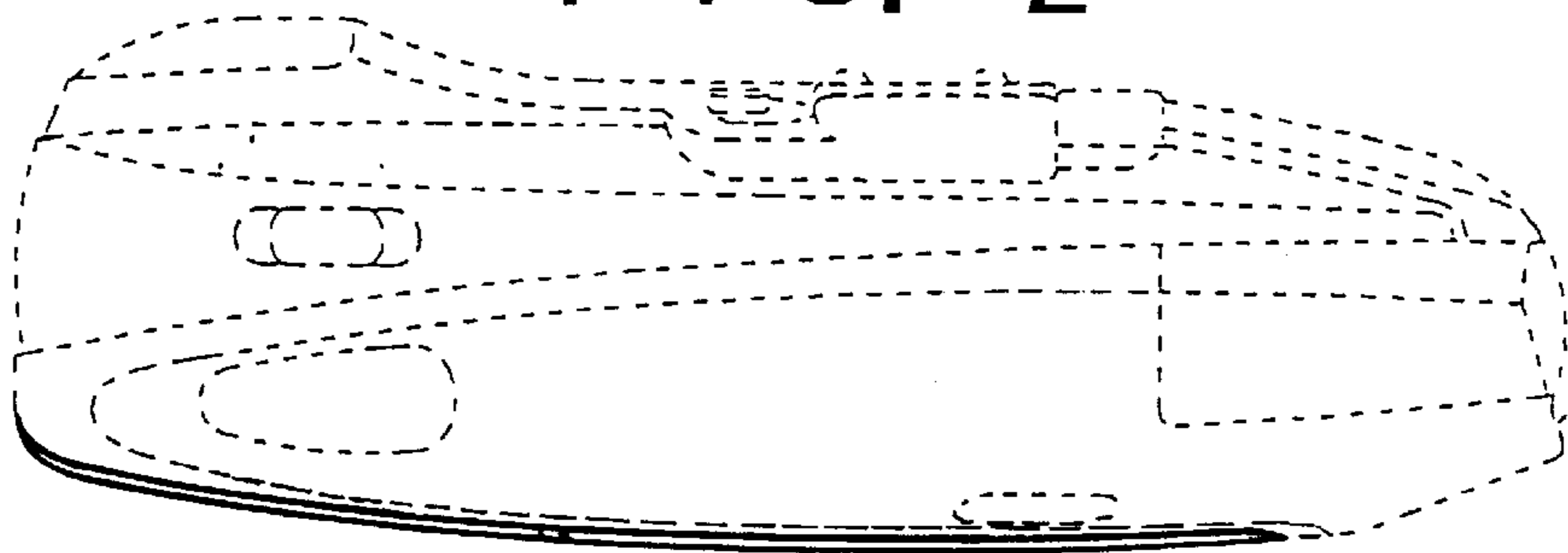


FIG. 3

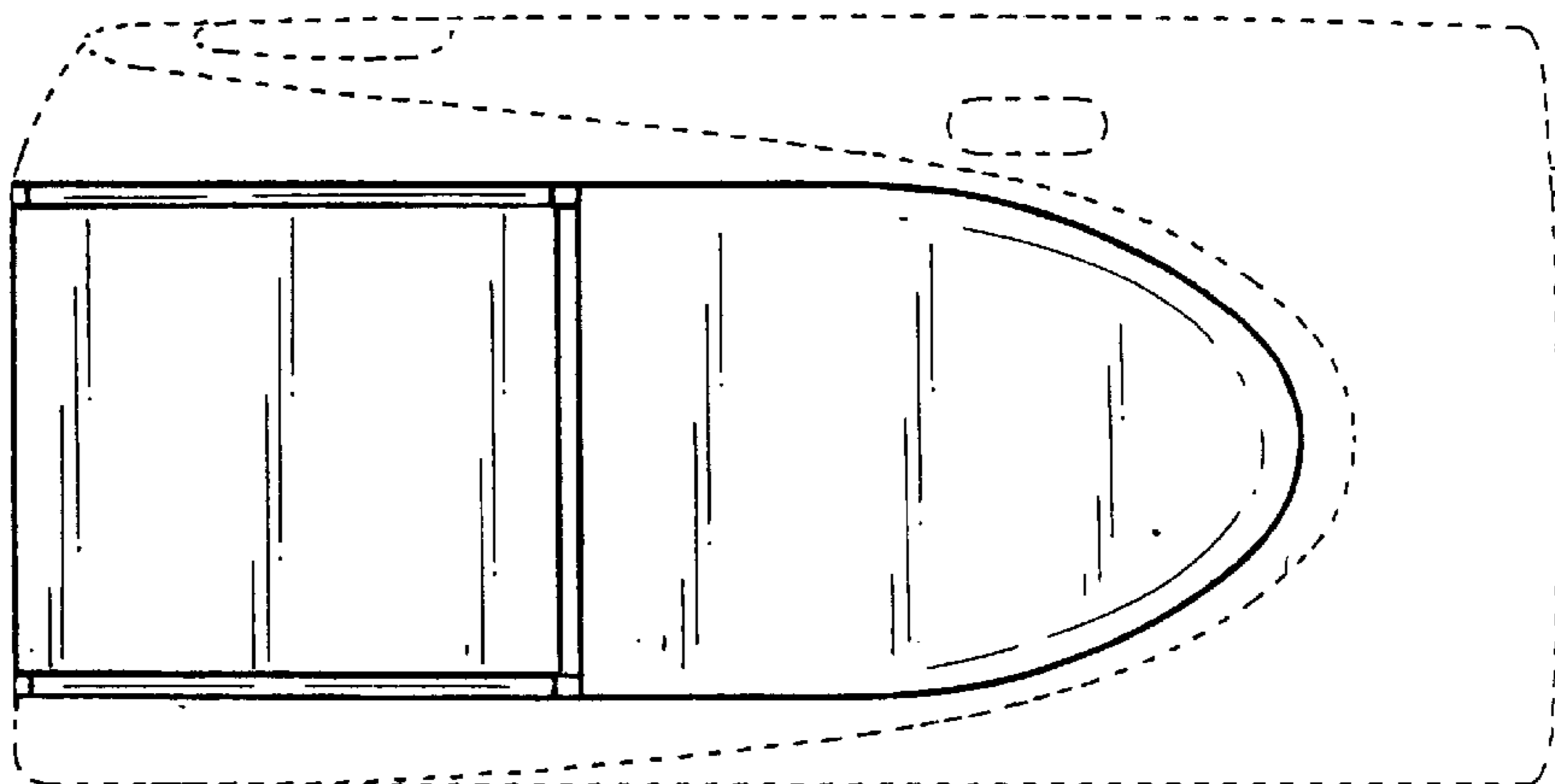


FIG. 4

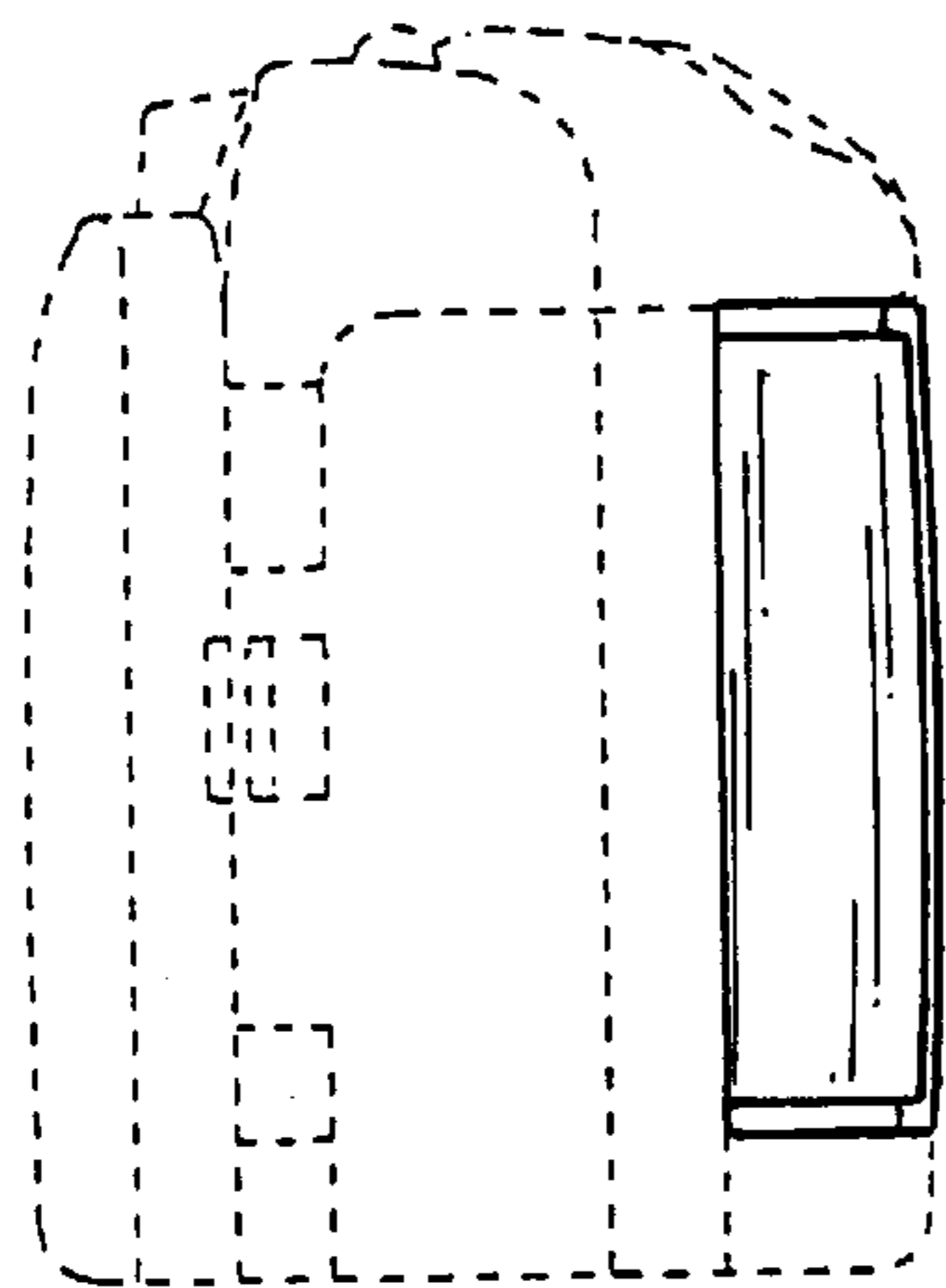


FIG. 5

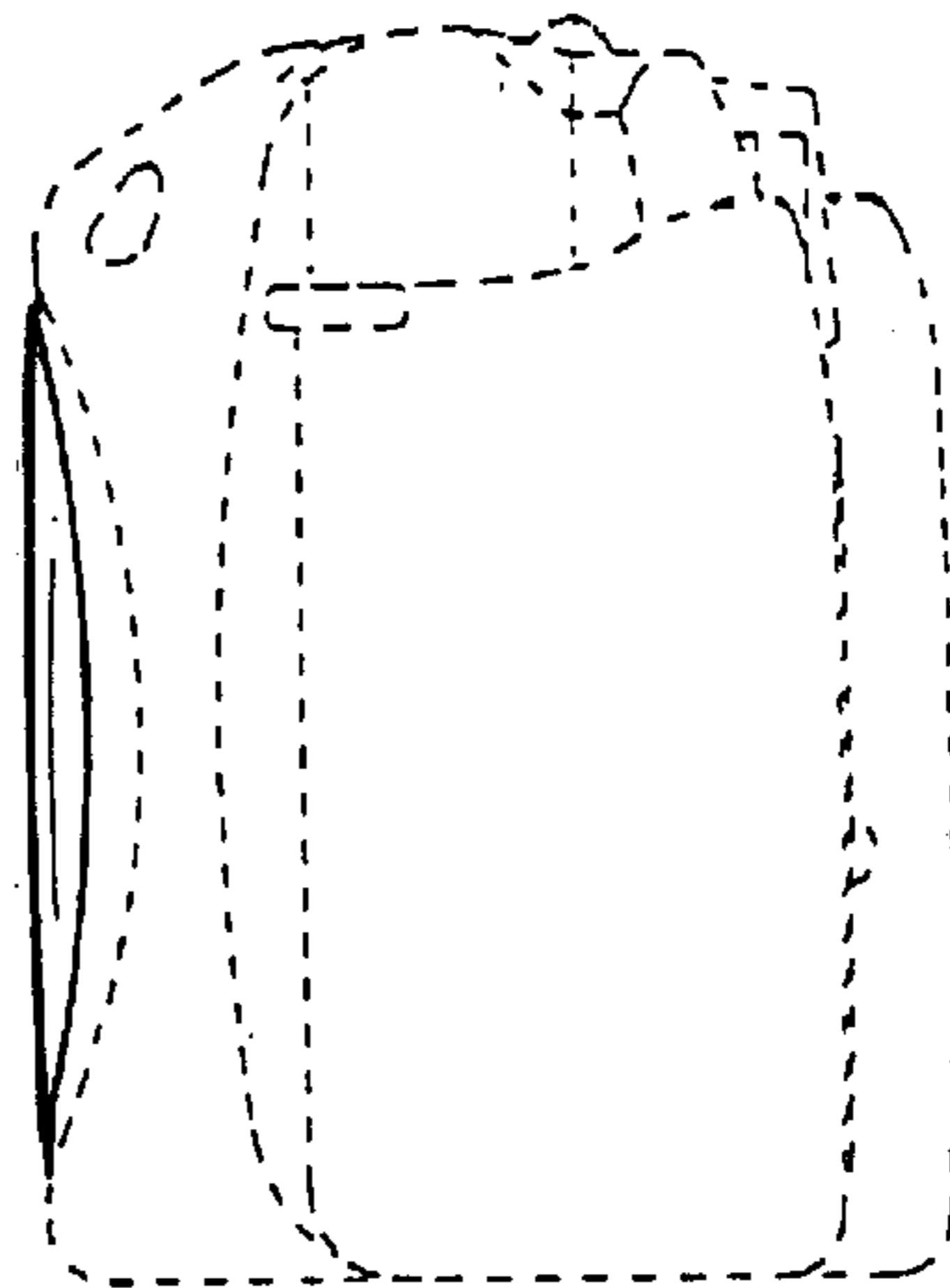


FIG. 6

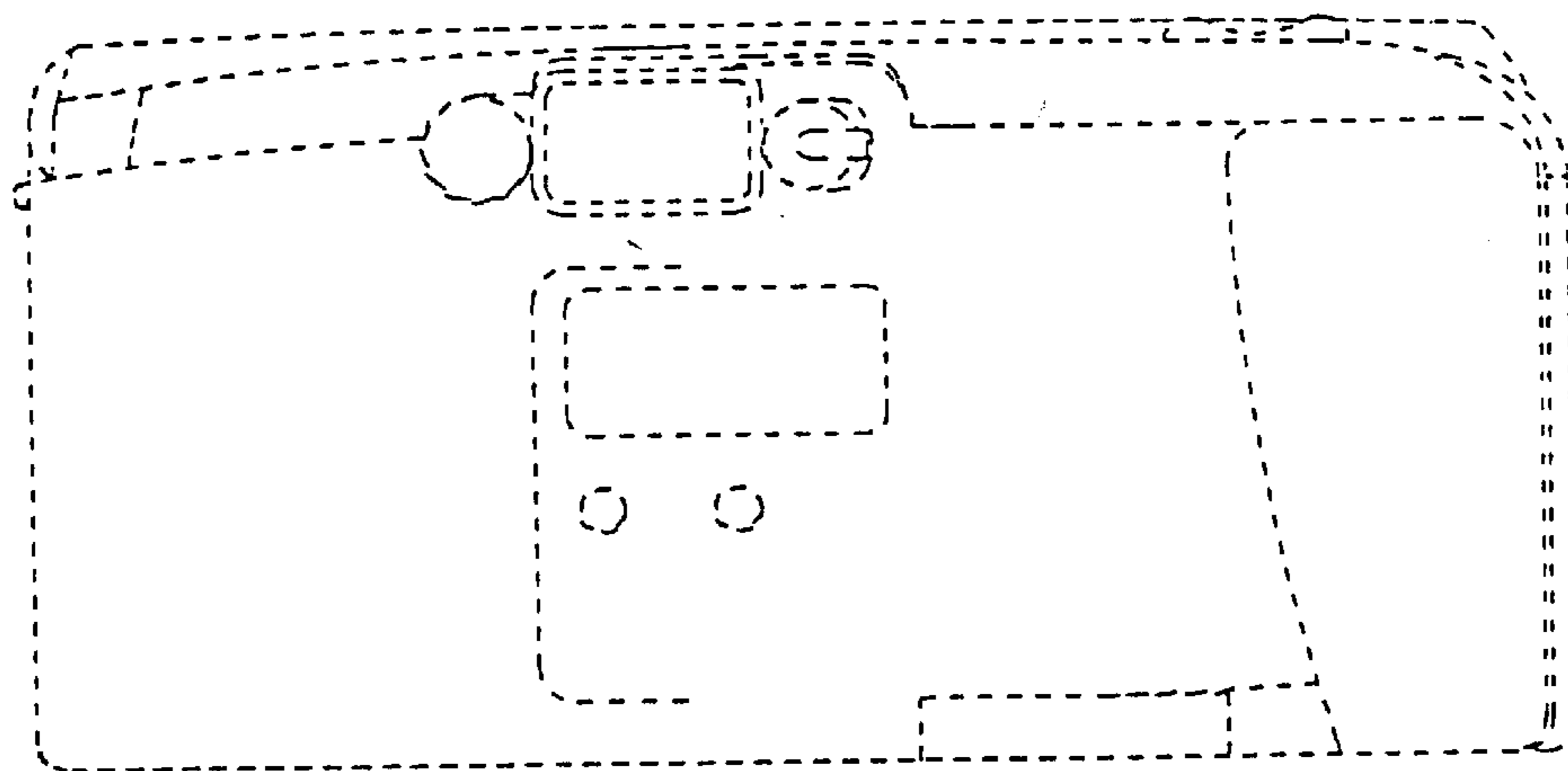


FIG. 7

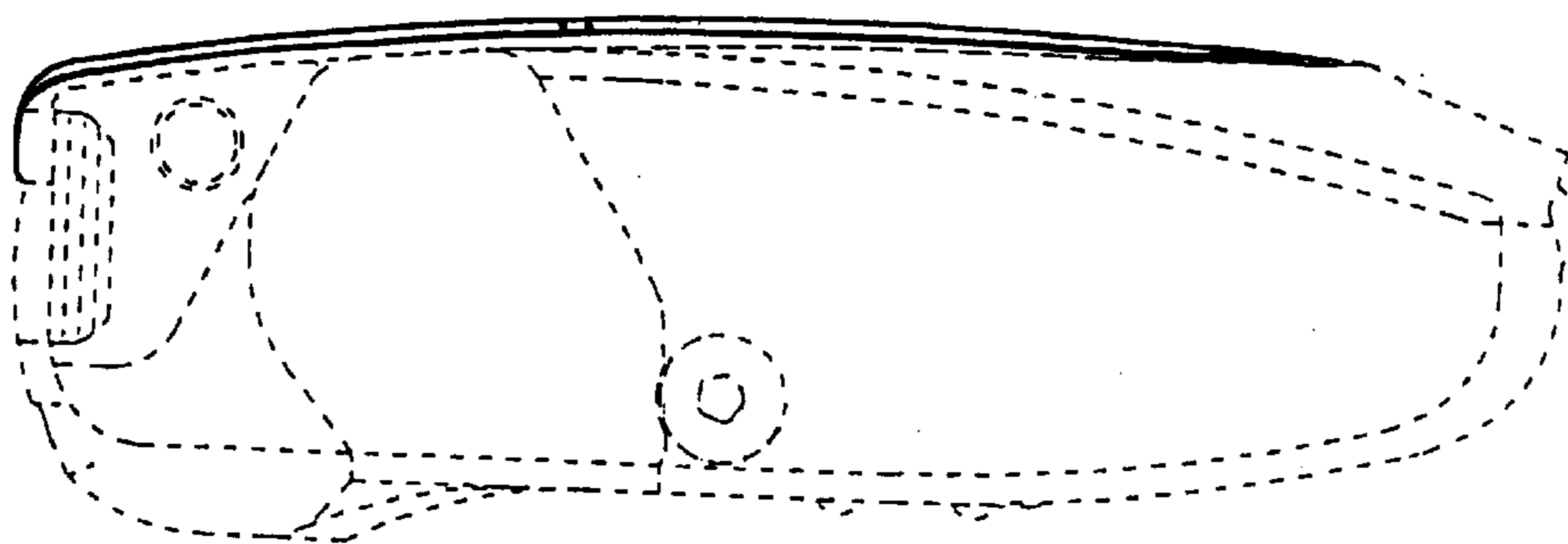
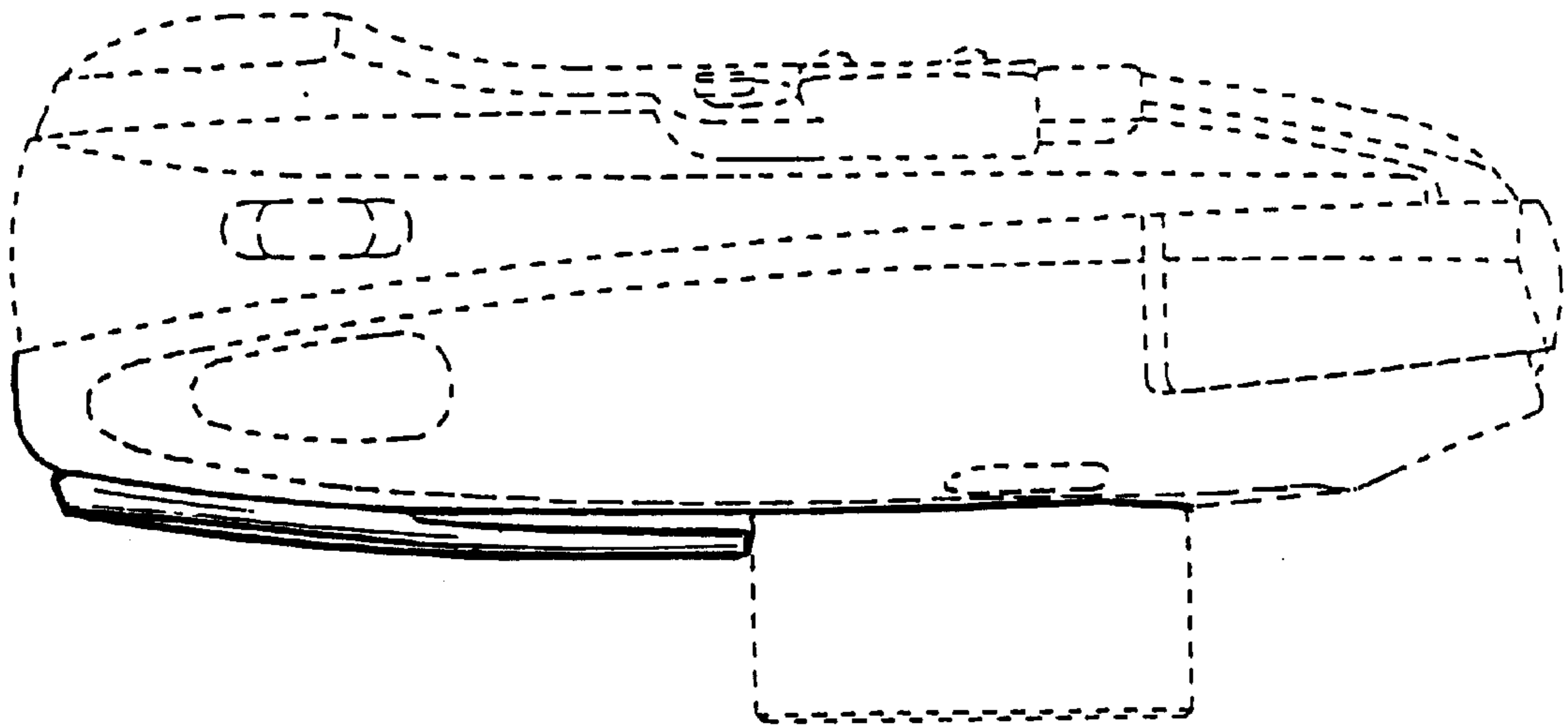


FIG. 8



UNITED STATES PATENT AND TRADEMARK OFFICE
Certificate

Patent No. D 453,942 S

Patented: February 26, 2002

On petition requesting issuance of a certificate for correction of inventorship pursuant to 35 U.S.C. 256, it has been found that the above identified patent, through error and without deceptive intent, improperly sets forth the inventorship.

Accordingly, it is hereby certified that the correct inventorship of this patent is: Yasuo Funakoshi.

Signed and Sealed this Eighth Day of October 2002.

TED SHOOMAN
Supervisory Patent Examiner
Art Unit 2912