



US00D453941S

(12) **United States Design Patent**
Chang

(10) **Patent No.:** **US D453,941 S**

(45) **Date of Patent:** **** Feb. 26, 2002**

(54) **PLANER**

(76) **Inventor:** **Lee-Cheng Chang**, 9F-2, No. 31, Lane 238, Si Ping Road, Taichung (TW)

(**) **Term:** **14 Years**

(21) **Appl. No.:** **29/140,137**

(22) **Filed:** **Apr. 12, 2001**

(51) **LOC (7) Cl.** **15-09**

(52) **U.S. Cl.** **D15/127**

(58) **Field of Search** D15/127; 144/112.1, 144/114.1, 117 R, 114 R, 124-127 A, 154.5, 129, 130, 218, 225, 228, 230, 242.5, 245.1, 246.1, 250.2, 253.2, 253.8, 253.3, 252.1, 375; 408/115 R, 241 S; 409/175, 181

(56) **References Cited**

U.S. PATENT DOCUMENTS

D438,547 S * 3/2001 Wang D15/127

* cited by examiner

Primary Examiner—Antoine Duval Davis

(74) *Attorney, Agent, or Firm*—Alan Kamrath; Rider, Bennett, Egan & Arundel, LLP

(57) **CLAIM**

The ornamental design for planer, as shown and described.

DESCRIPTION

FIG. 1 is a perspective view of a planer showing my new design;

FIG. 2 is a front elevational view thereof;

FIG. 3 is a rear elevational view thereof;

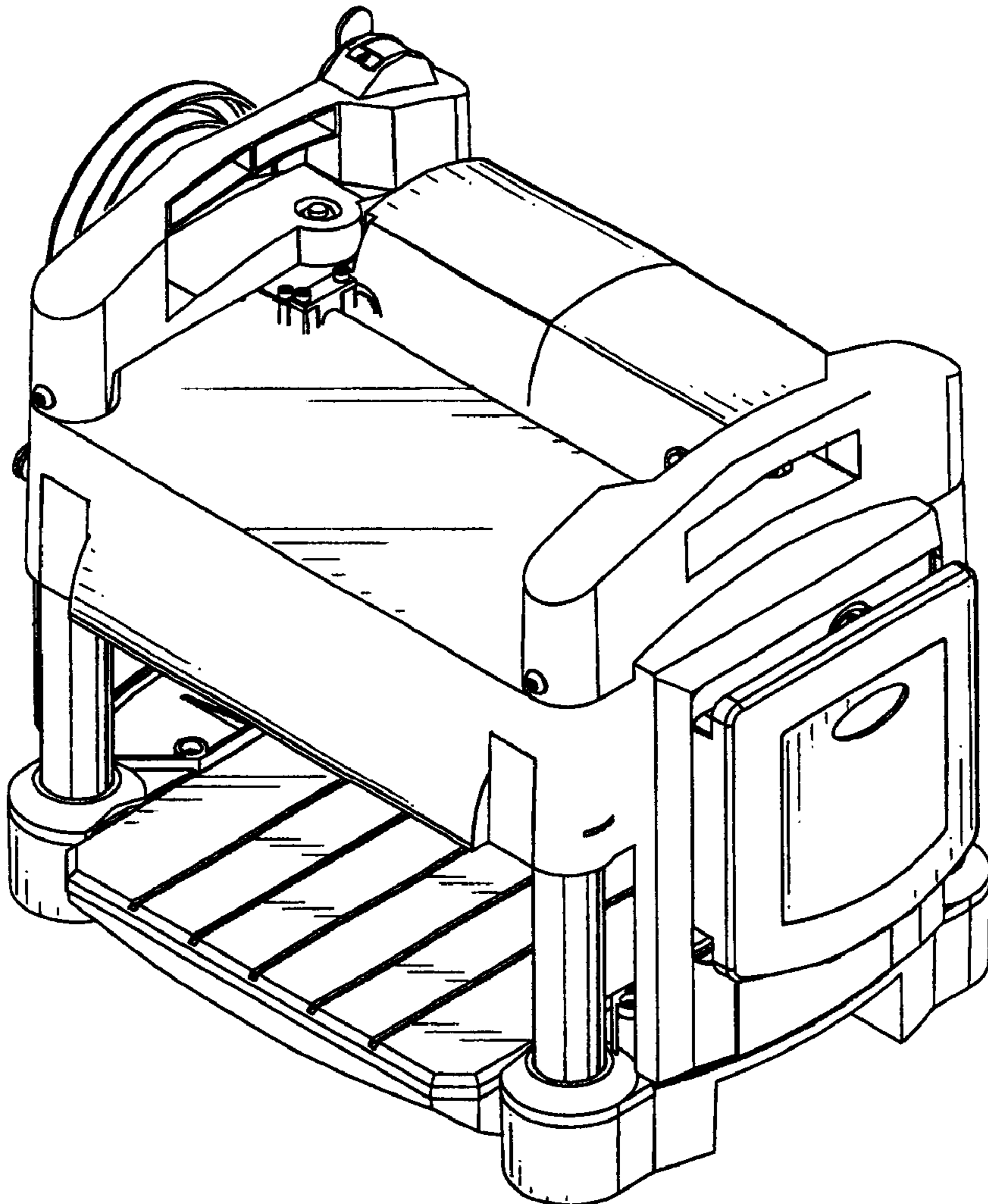
FIG. 4 is a left elevational view thereof;

FIG. 5 is a right elevational view thereof;

FIG. 6 is a top plan view thereof; and,

FIG. 7 is bottom plan view thereof.

1 Claim, 4 Drawing Sheets



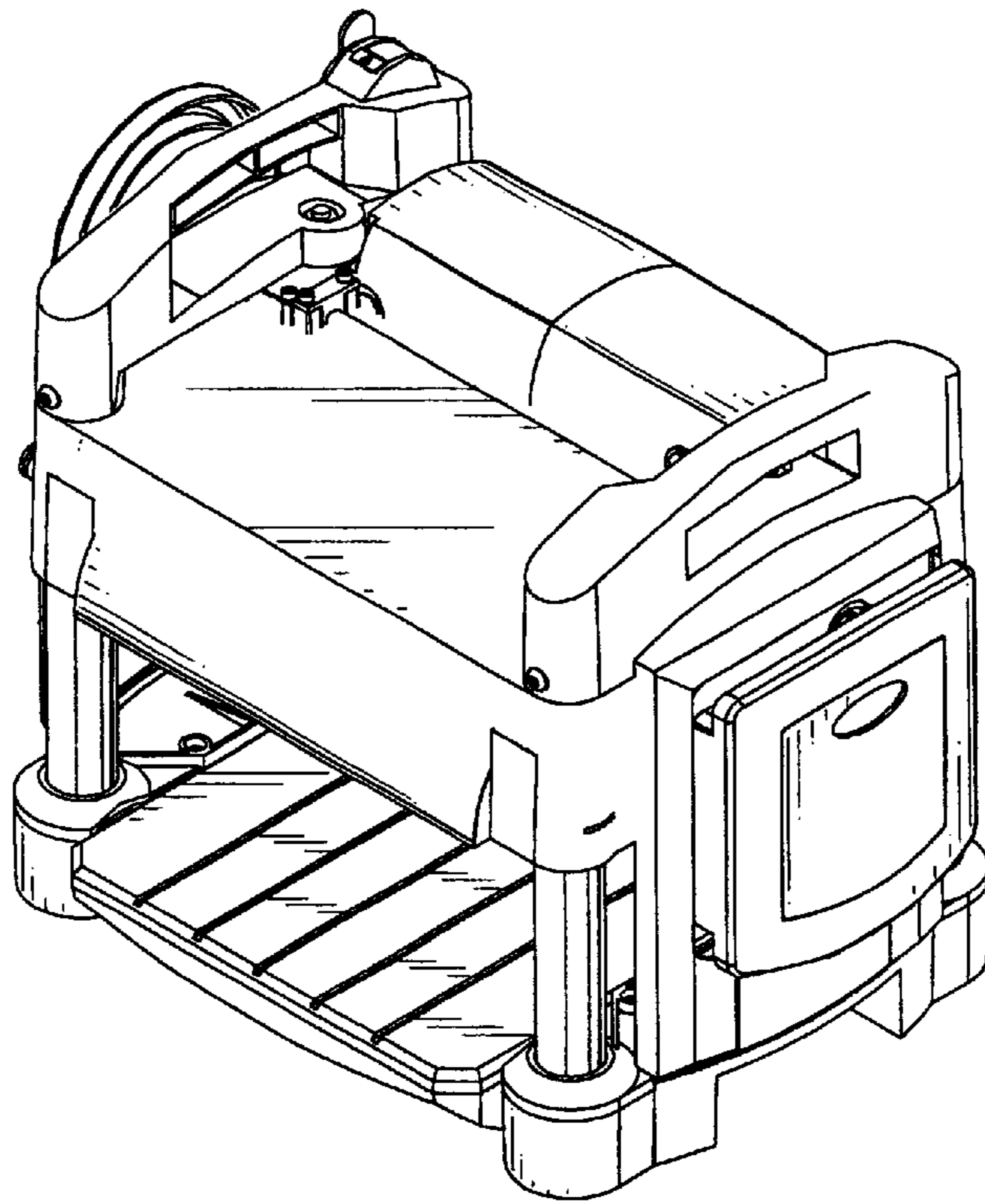


Fig. 1

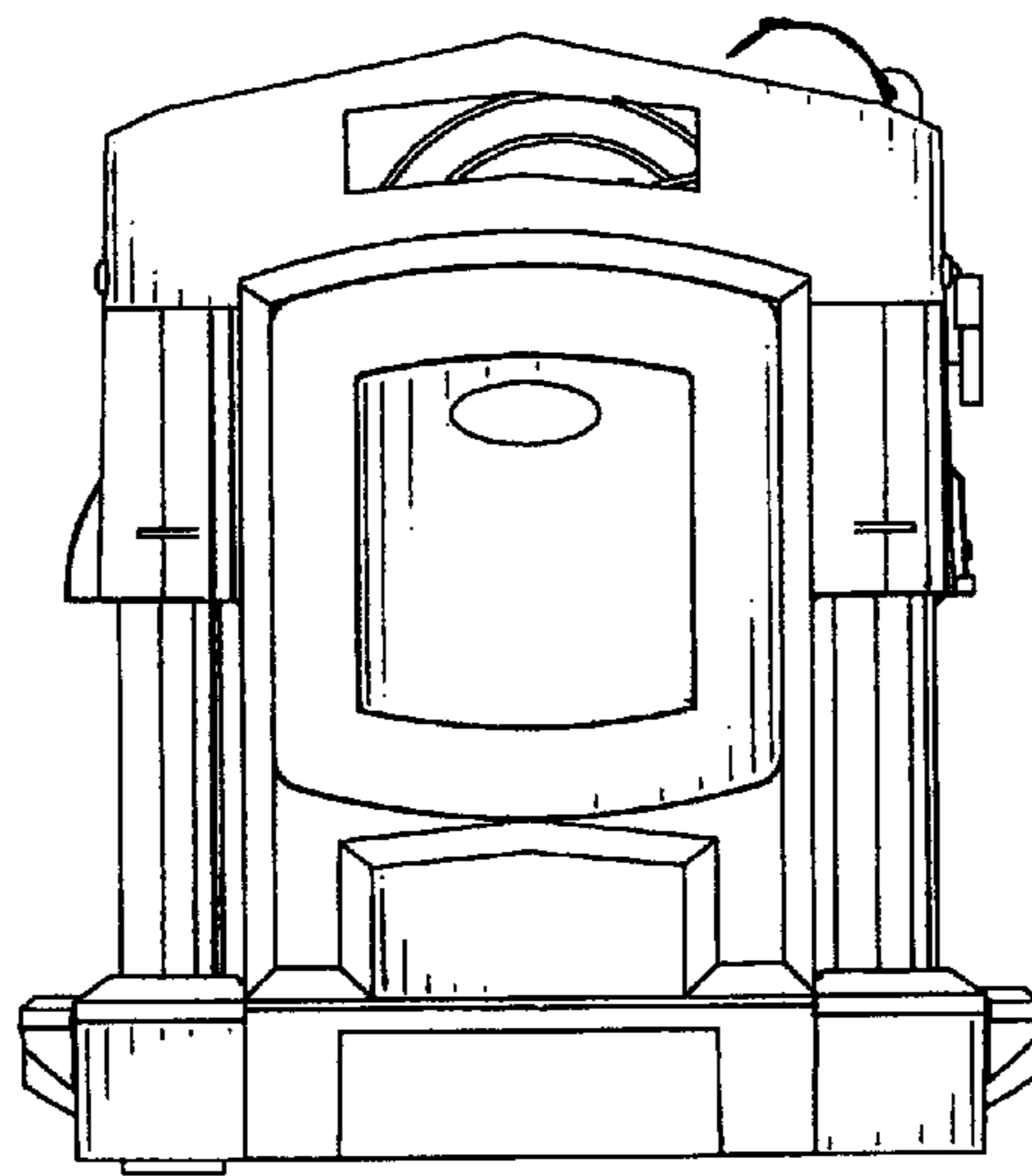


Fig. 5

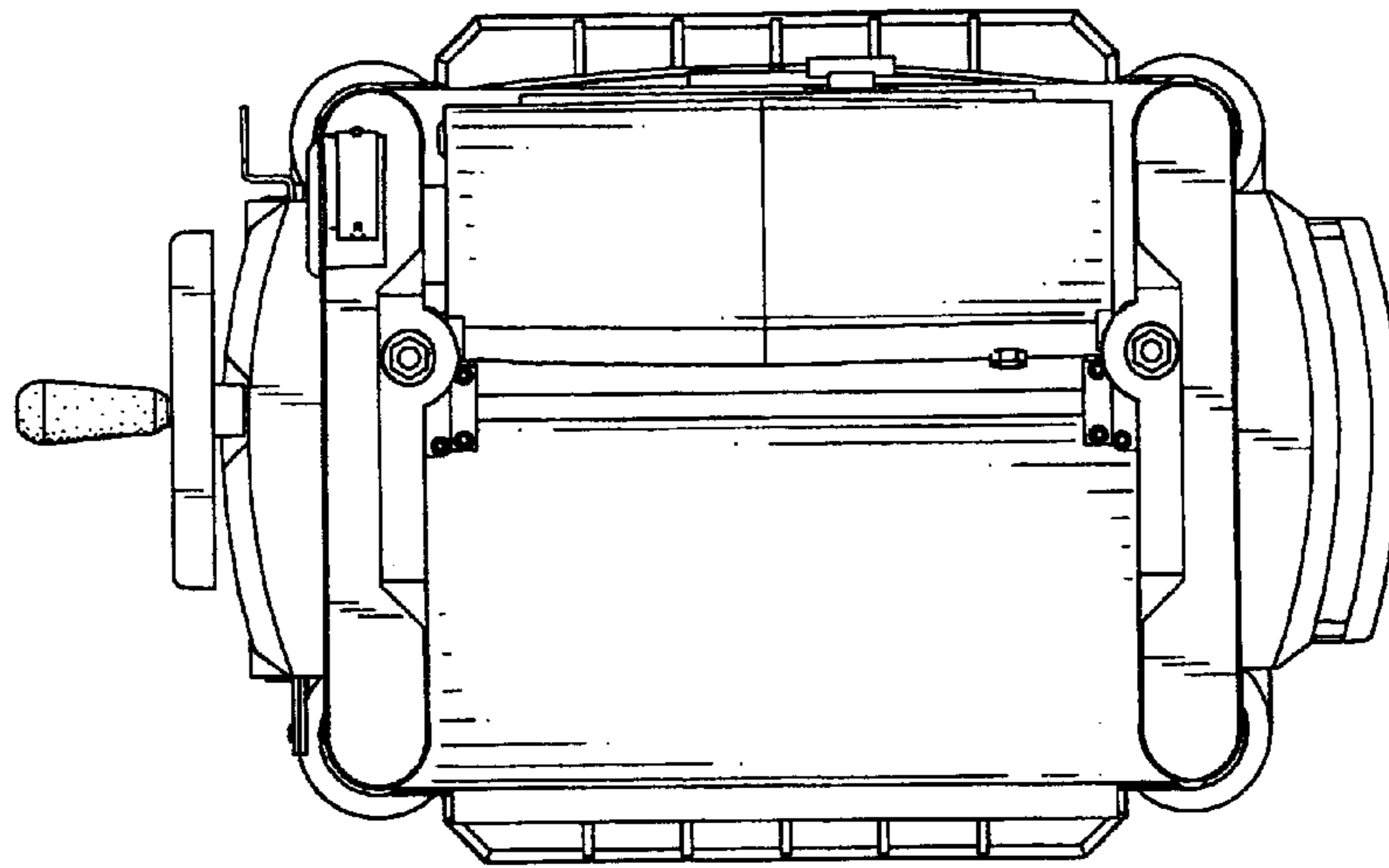


Fig. 6

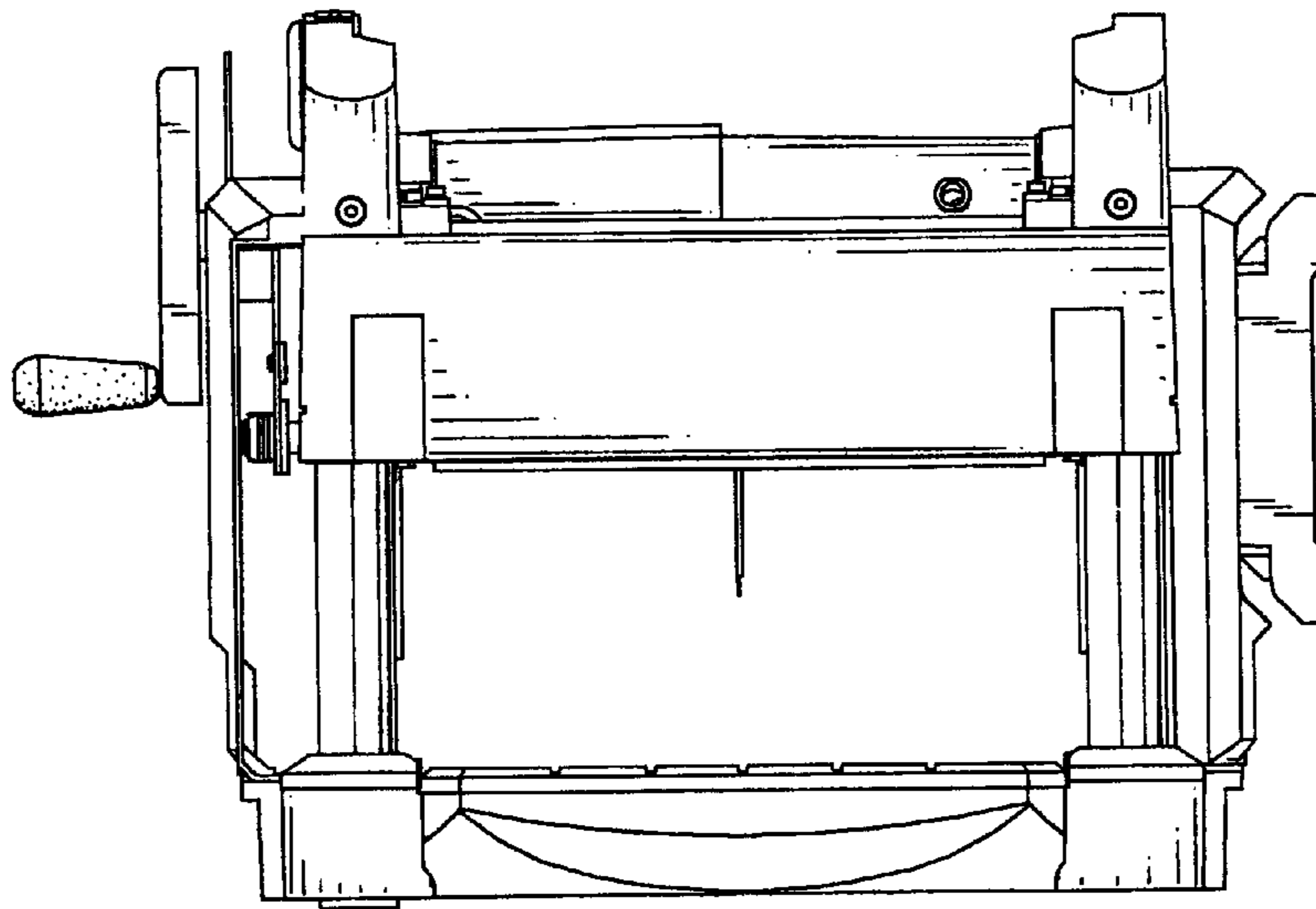


Fig. 2

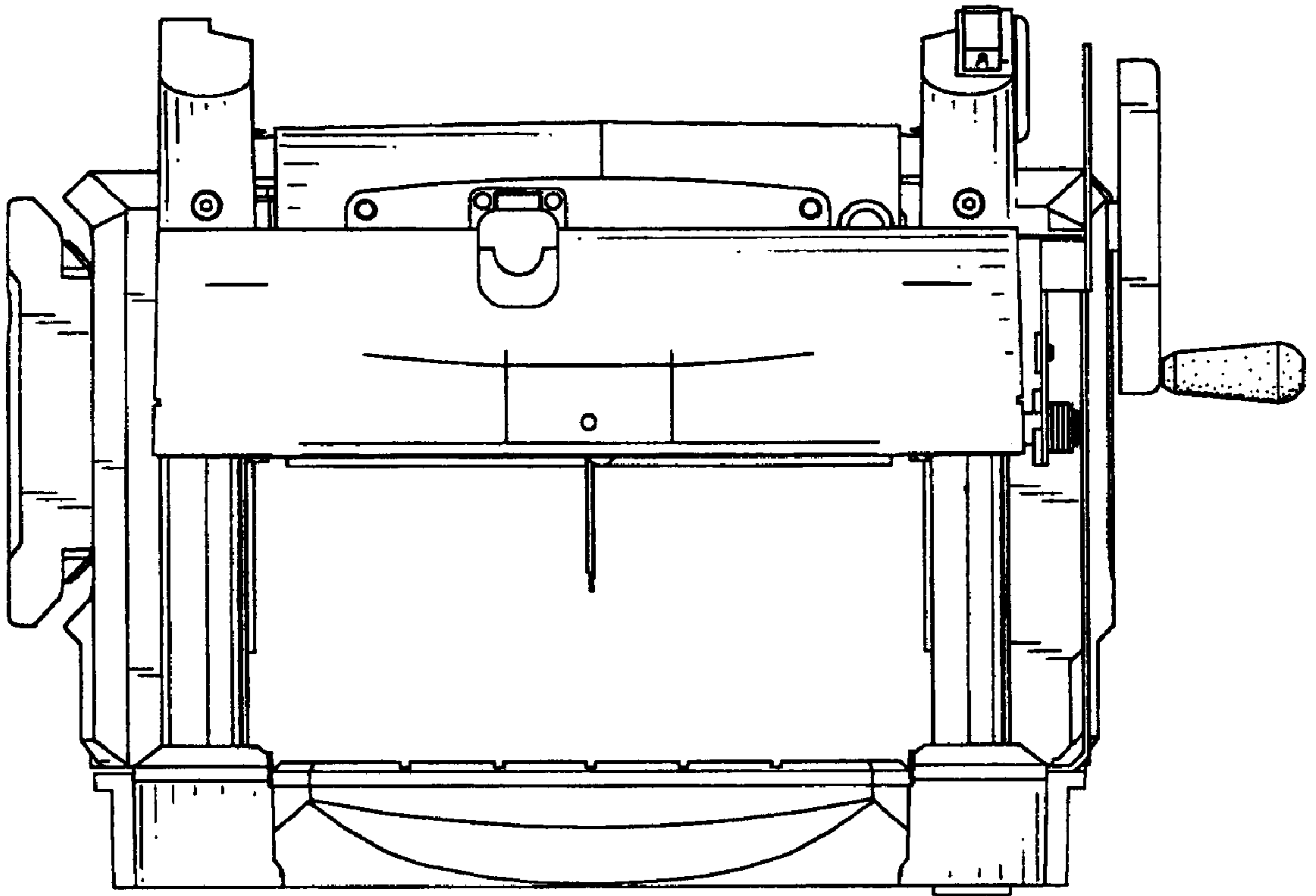


Fig. 3

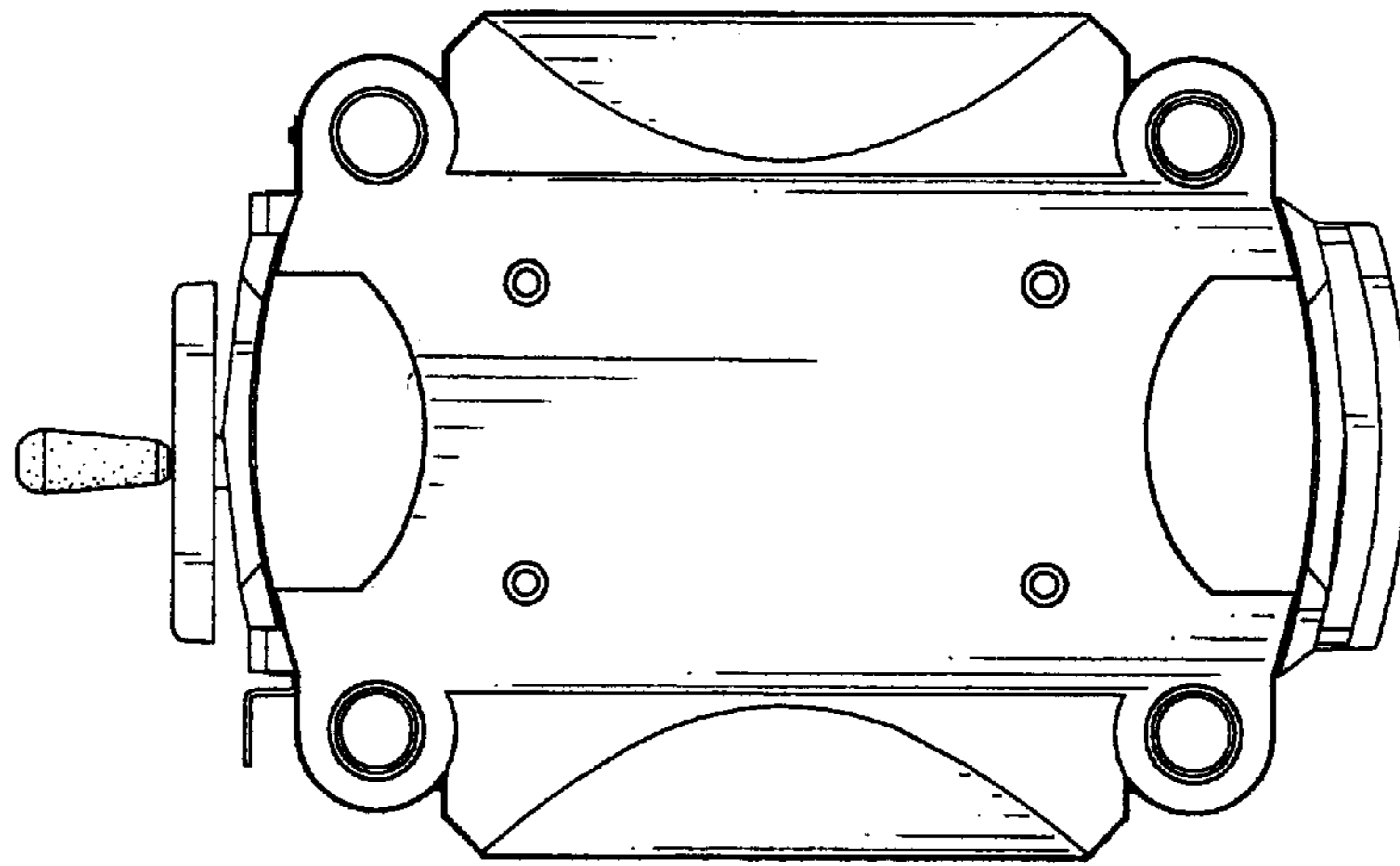


Fig. 7

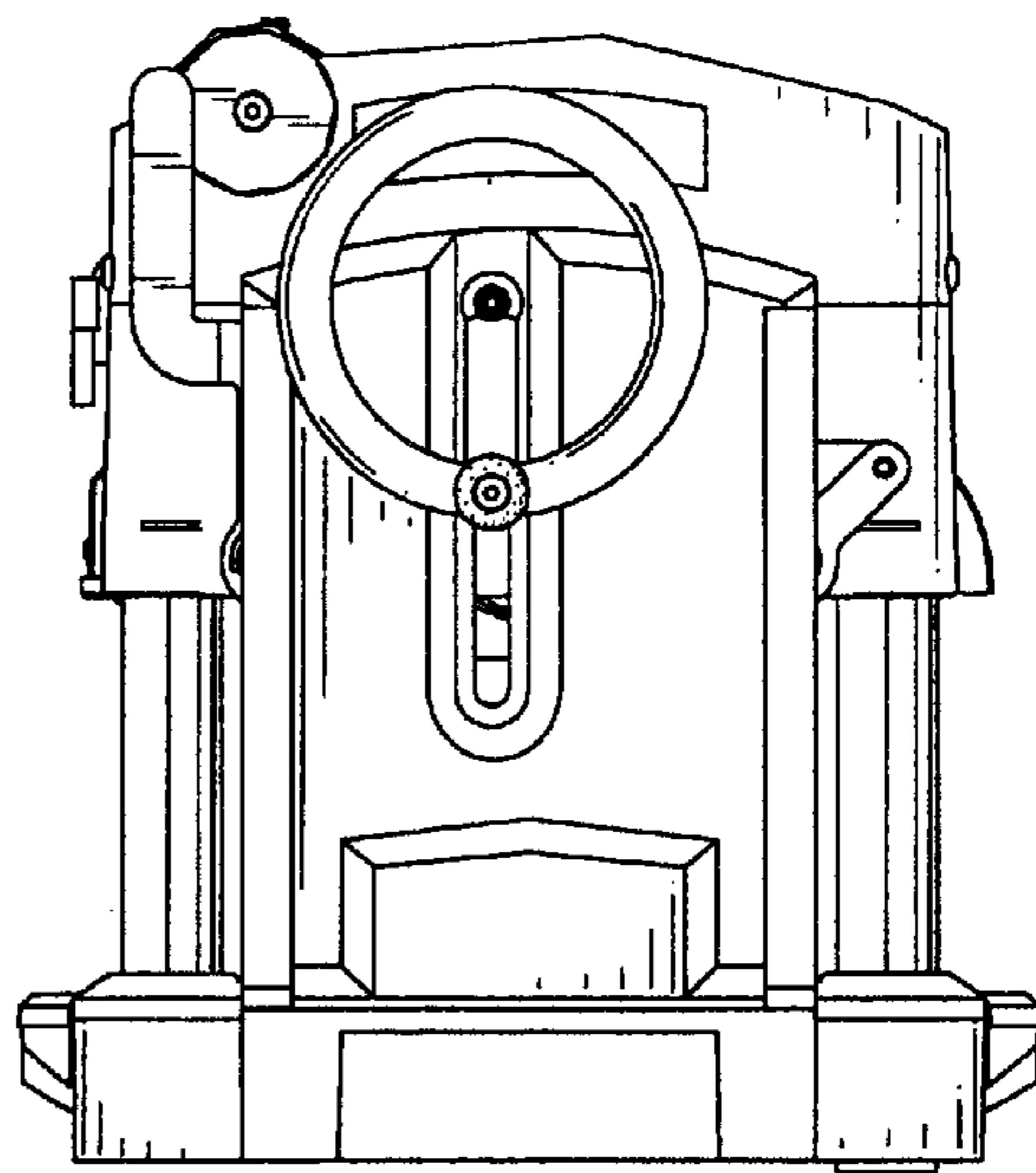


Fig. 4