



US00D453938S

(12) **United States Design Patent**
Graham

(10) **Patent No.:** **US D453,938 S**

(45) **Date of Patent:** **** Feb. 26, 2002**

(54) **DOCUMENT CLOSET IMAGE FOR A DISPLAY SCREEN**

(75) Inventor: **Jamey Graham**, Menlo Park, CA (US)

(73) Assignee: **Ricoh Company, Ltd.**, Tokyo (JP)

(**) Term: **14 Years**

(21) Appl. No.: **29/123,566**

(22) Filed: **May 18, 2000**

(51) **LOC (7) Cl.** **14-02**

(52) **U.S. Cl.** **D14/489**

(58) **Field of Search** D14/485-95; D18/24-33;
D19/6; D20/11; D21/324-33; 345/326,
339-58

(56) **References Cited**

U.S. PATENT DOCUMENTS

- D394,051 S * 5/1998 Smith
- D399,836 S * 10/1998 Wu et al.
- D439,584 S * 3/2001 Wang et al.
- D441,762 S * 5/2001 Mugura
- D444,793 S * 7/2001 Richter
- D445,426 S * 7/2001 Wang et al.

OTHER PUBLICATIONS

Ball et al., "Software Visualization in the Large," *IEEE Computer*, 29(4):33-43 (1996).

Hill et al., "Edit Wear and Read Wear," *Chi '92 ACM*, pp. 3-9 (1992).

* cited by examiner

Primary Examiner—M. H. Tung

(74) *Attorney, Agent, or Firm*—Townsend and Townsend and Crew LLP

(57) **CLAIM**

The ornamental design for a document closet image for a display screen, as shown and described.

DESCRIPTION

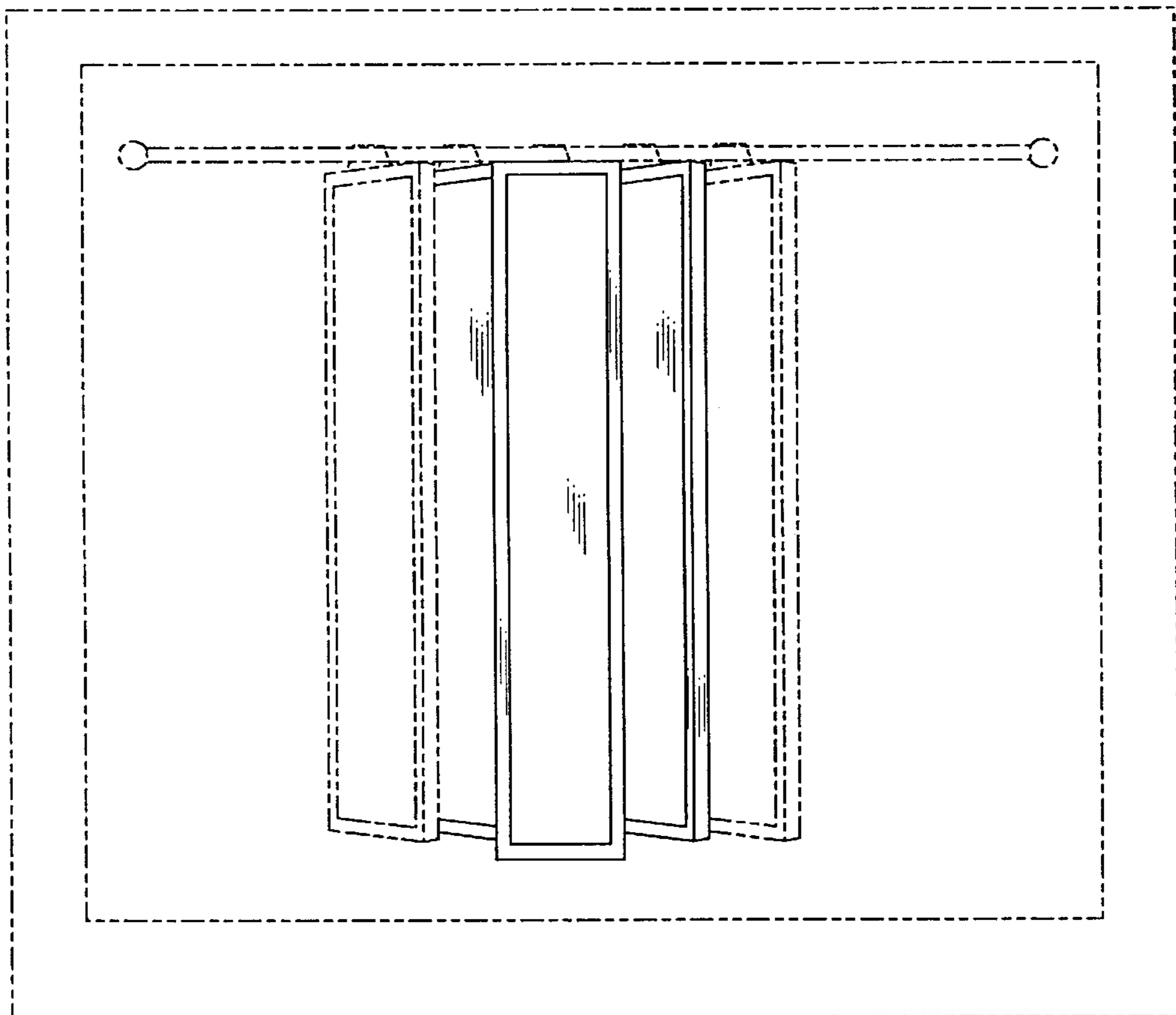
The document closet image for a display screen is to be used as part of a system to organize and display electronic documents.

FIG. 1 is a front view of a document closet image for a display screen; and,

FIG. 2 is a front view of a second embodiment thereof.

The dashed lines in all views are for environmental purposes only, and form no part of the claimed design.

1 Claim, 2 Drawing Sheets



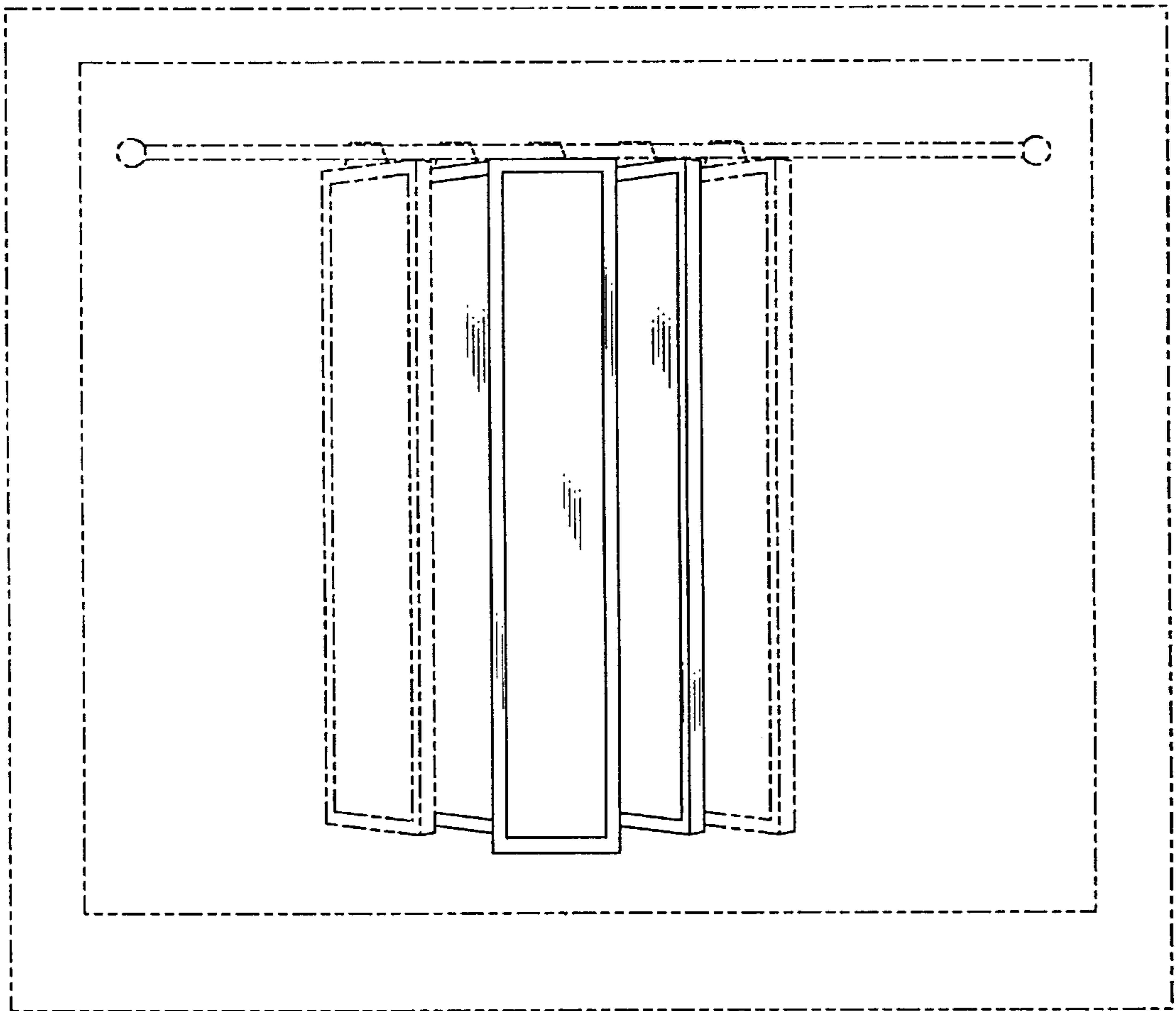


FIG. 1

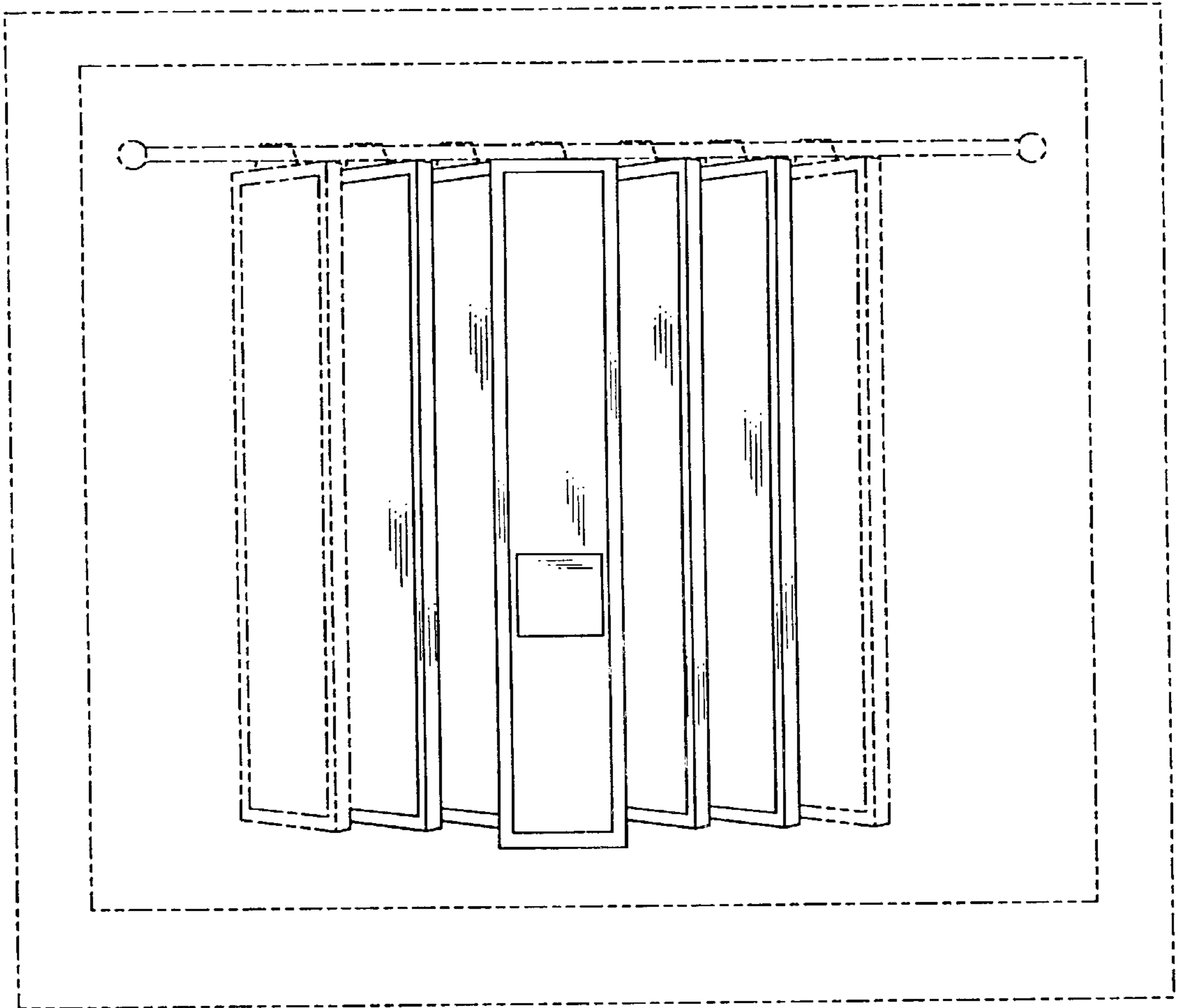


FIG. 2