



US00D453933S

(12) **United States Design Patent**
Mulcahy et al.

(10) **Patent No.:** **US D453,933 S**

(45) **Date of Patent:** **** Feb. 26, 2002**

(54) **DOCUMENT PREPARATION STATION**

(75) Inventors: **William J. Mulcahy**, Lutherville, MD (US); **Mark E. Kapinos**, deceased, late of Shrewsbury, PA (US), by Lisa A. Kapinos, legal representative; **Wilbur H. Kinneman, Jr.**, Lutherville, MD (US); **Robert Kief**, Baltimore, MD (US); **Susan A. Gunkel**, Perry Hall, MD (US); **Rodger Ream**, Baltimore, MD (US)

(73) Assignee: **Continental Express Money Order Company**, Santa Ana, CA (US)

(**) Term: **14 Years**

(21) Appl. No.: **29/111,092**

(22) Filed: **Sep. 22, 1999**

(51) **LOC (7) Cl.** **14-02**
(52) **U.S. Cl.** **D14/420; D18/4.6**
(58) **Field of Search** D14/420, 421, D14/422, 424, 425, 356, 300, 385-387; D16/225, 208; D18/36, 37, 39, 4.1, 4.6, 4.4; 250/556; 355/64, 65, 75, 81; 235/382.5, 2, 382

(56) **References Cited**

U.S. PATENT DOCUMENTS

D216,799 S * 3/1970 Kapper et al. D14/385

D244,386 S * 5/1977 Schaum et al. D14/387
D277,579 S * 2/1985 Noonan D14/425
D322,978 S * 1/1992 Yamamoto D14/420 X

* cited by examiner

Primary Examiner—Freda Nunn

(74) *Attorney, Agent, or Firm*—Pillsbury Winthrop LLP

(57) **CLAIM**

The ornamental design for a document preparation station, as shown and described.

DESCRIPTION

FIG. 1 is a perspective view, from the front and above, of a document preparation station in a first configuration according to my new design;

FIG. 2 is a perspective view thereof, from the rear and above, in the first configuration;

FIG. 3 is a perspective view thereof from the front and above in a second configuration with the terminal shown removed from the housing;

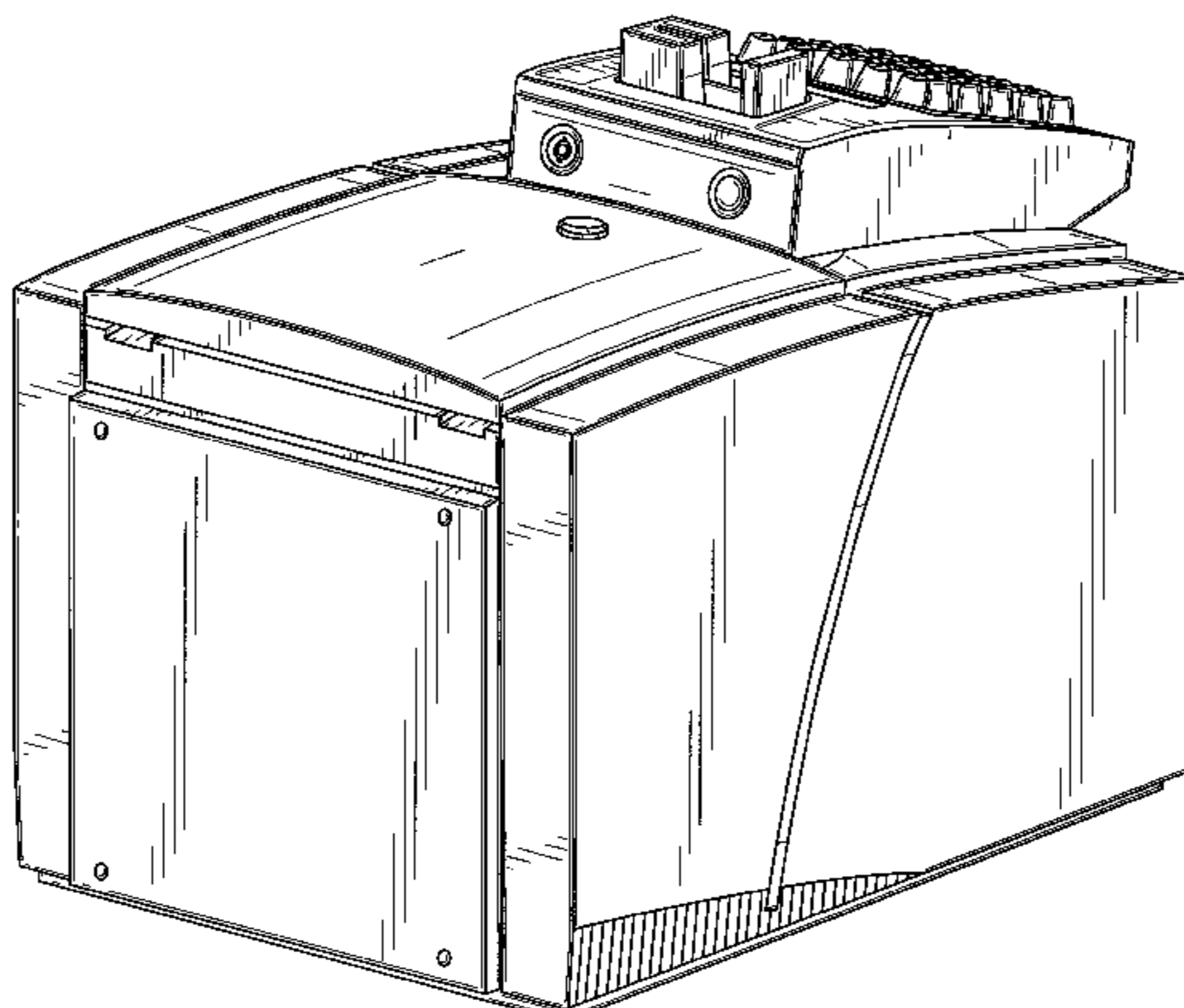
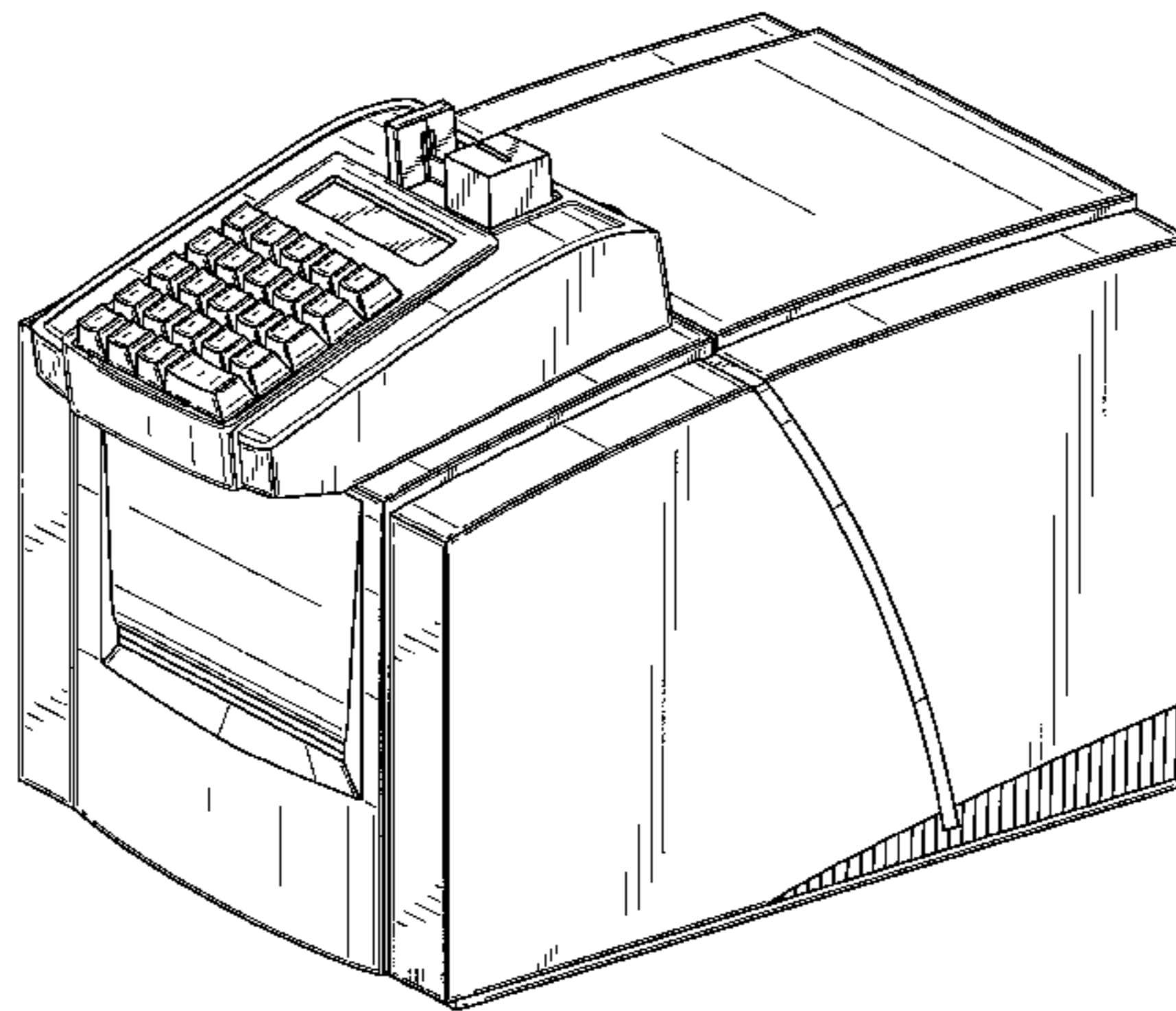
FIG. 4 is a right-side elevational view thereof in the first configuration, the undisclosed left side is a mirror image;

FIG. 5 is a top plan view thereof, in the first configuration; and,

FIG. 6 is a front elevational view thereof, in the first configuration.

The station includes a main housing containing a printer and control unit and a data entry terminal.

1 Claim, 6 Drawing Sheets



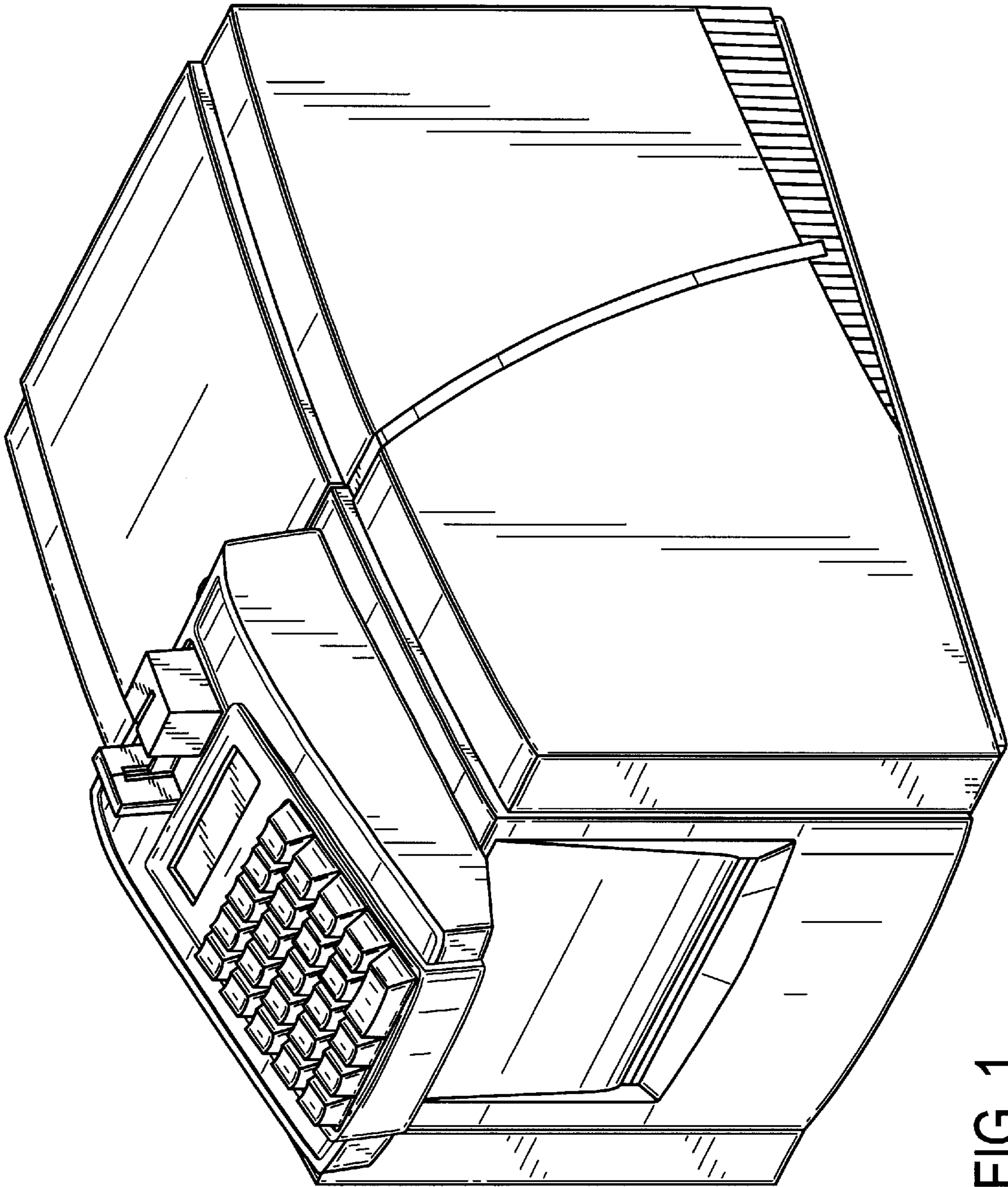


FIG. 1

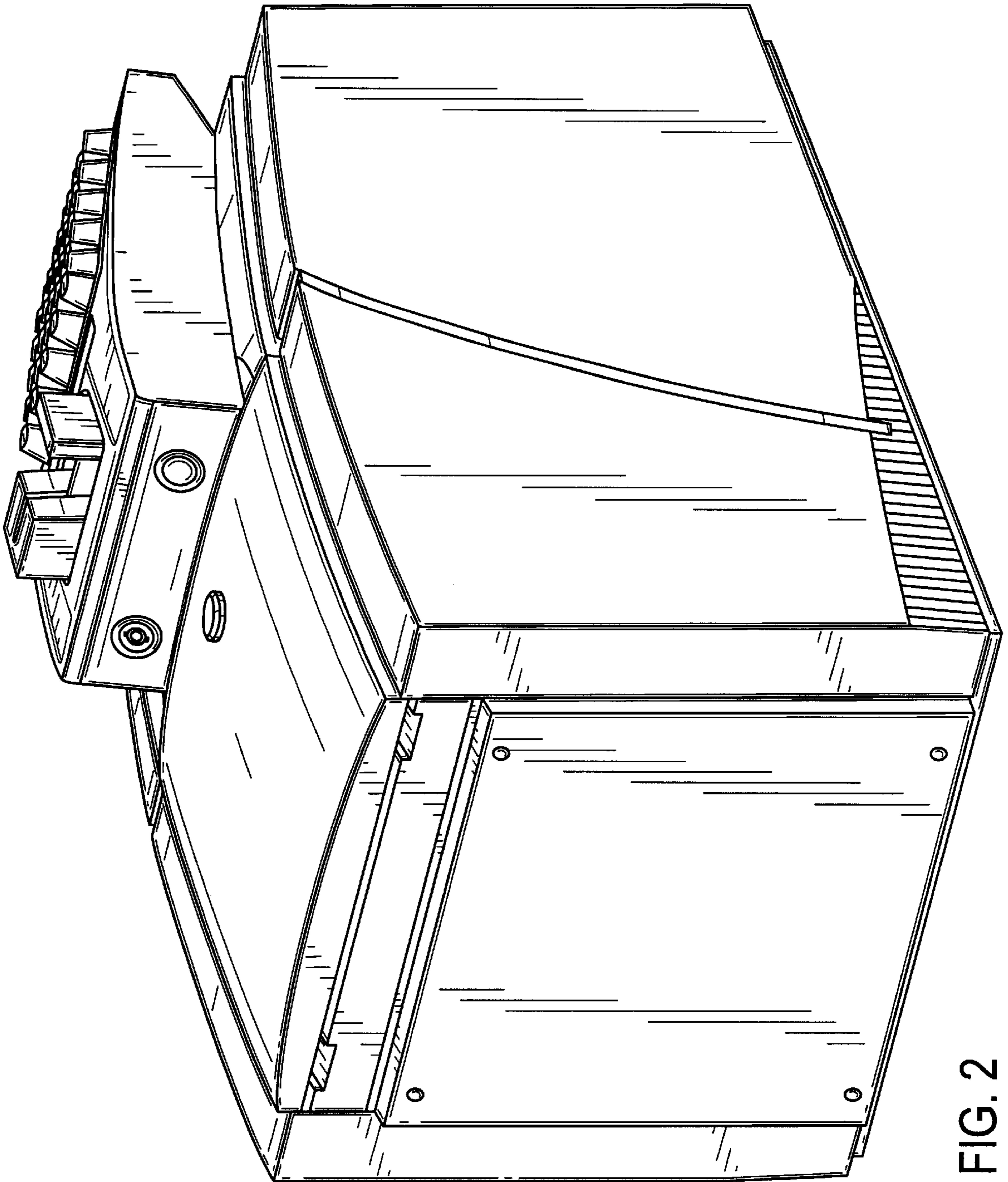


FIG. 2

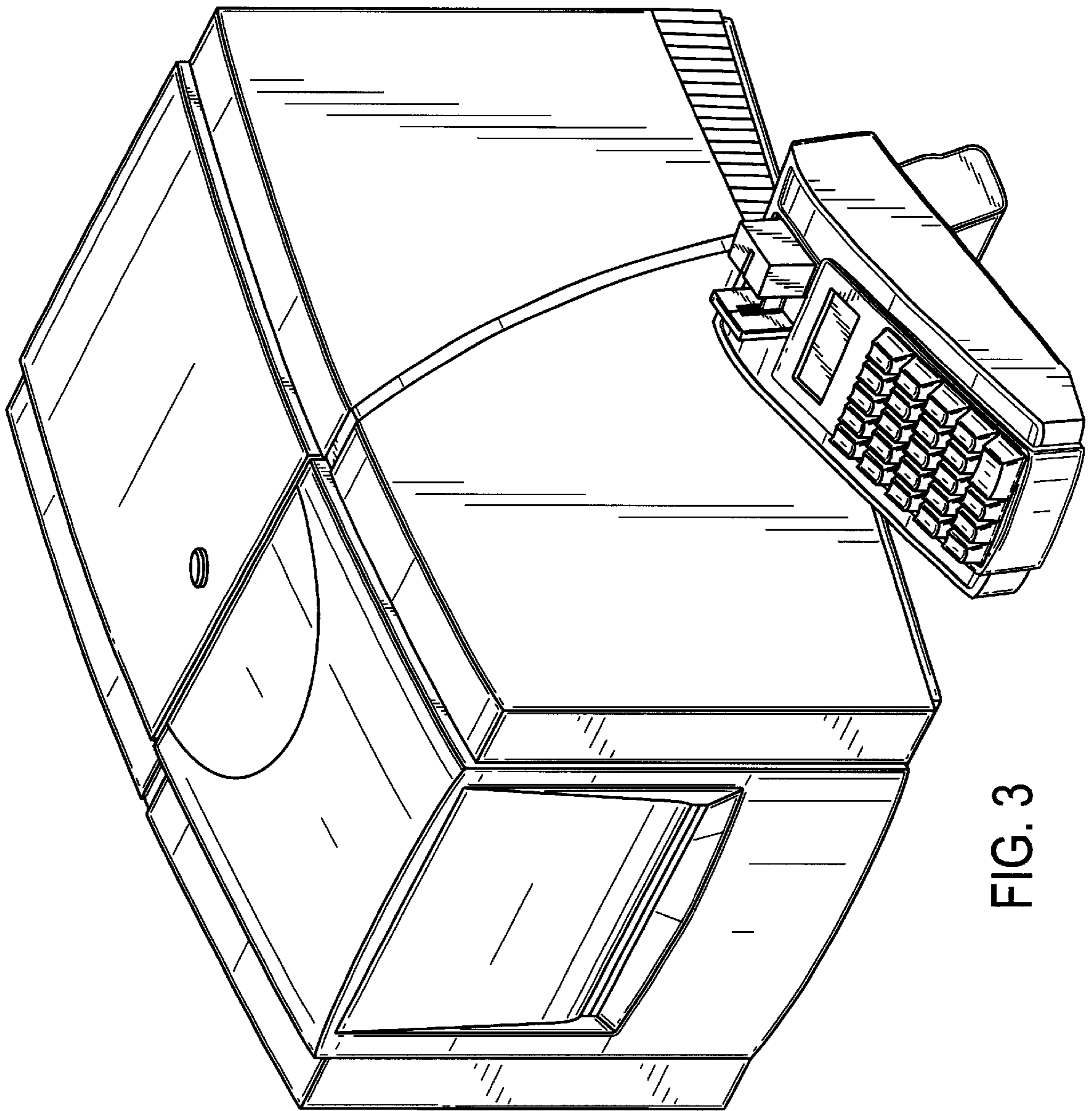


FIG. 3

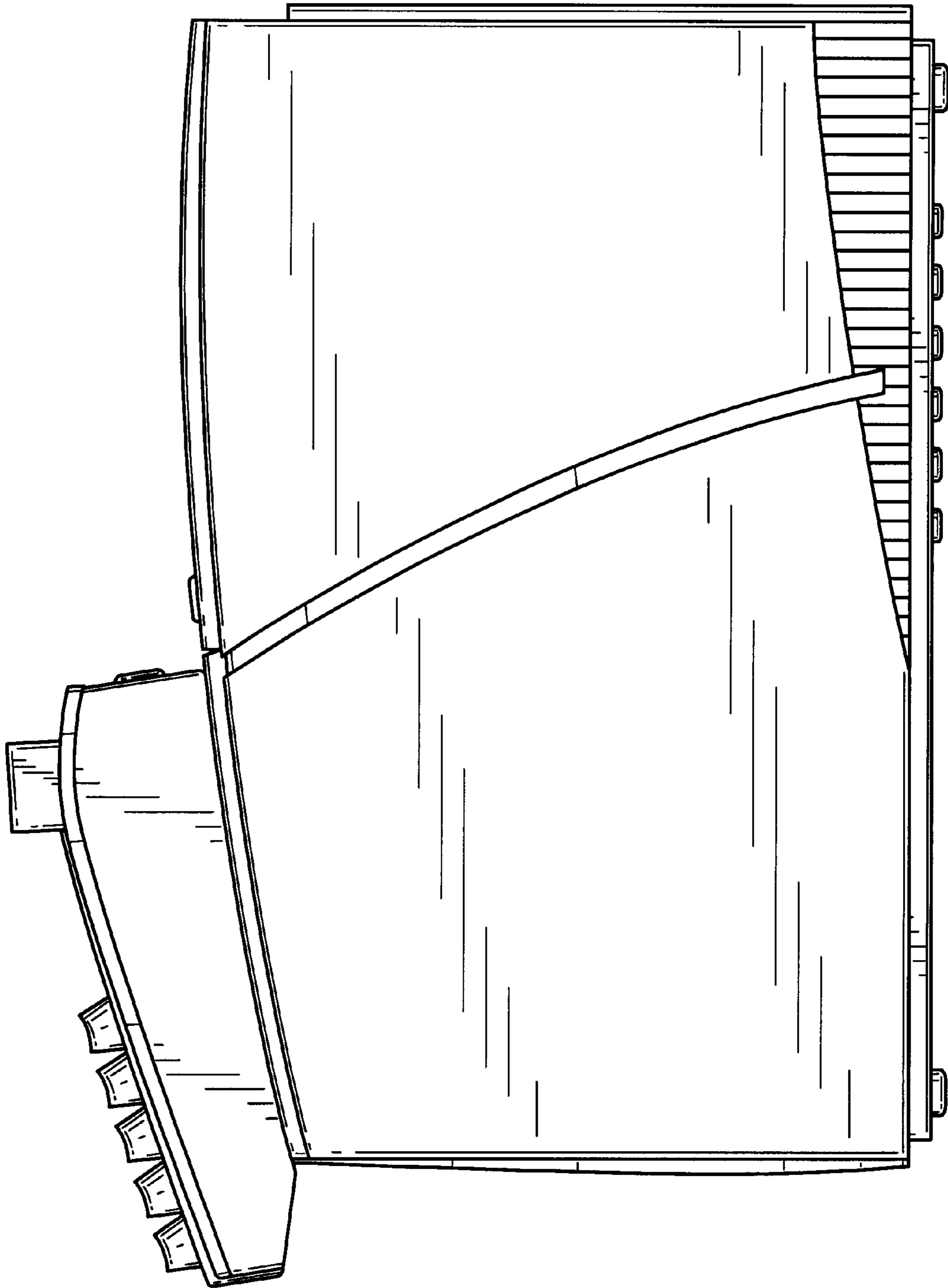


FIG. 4

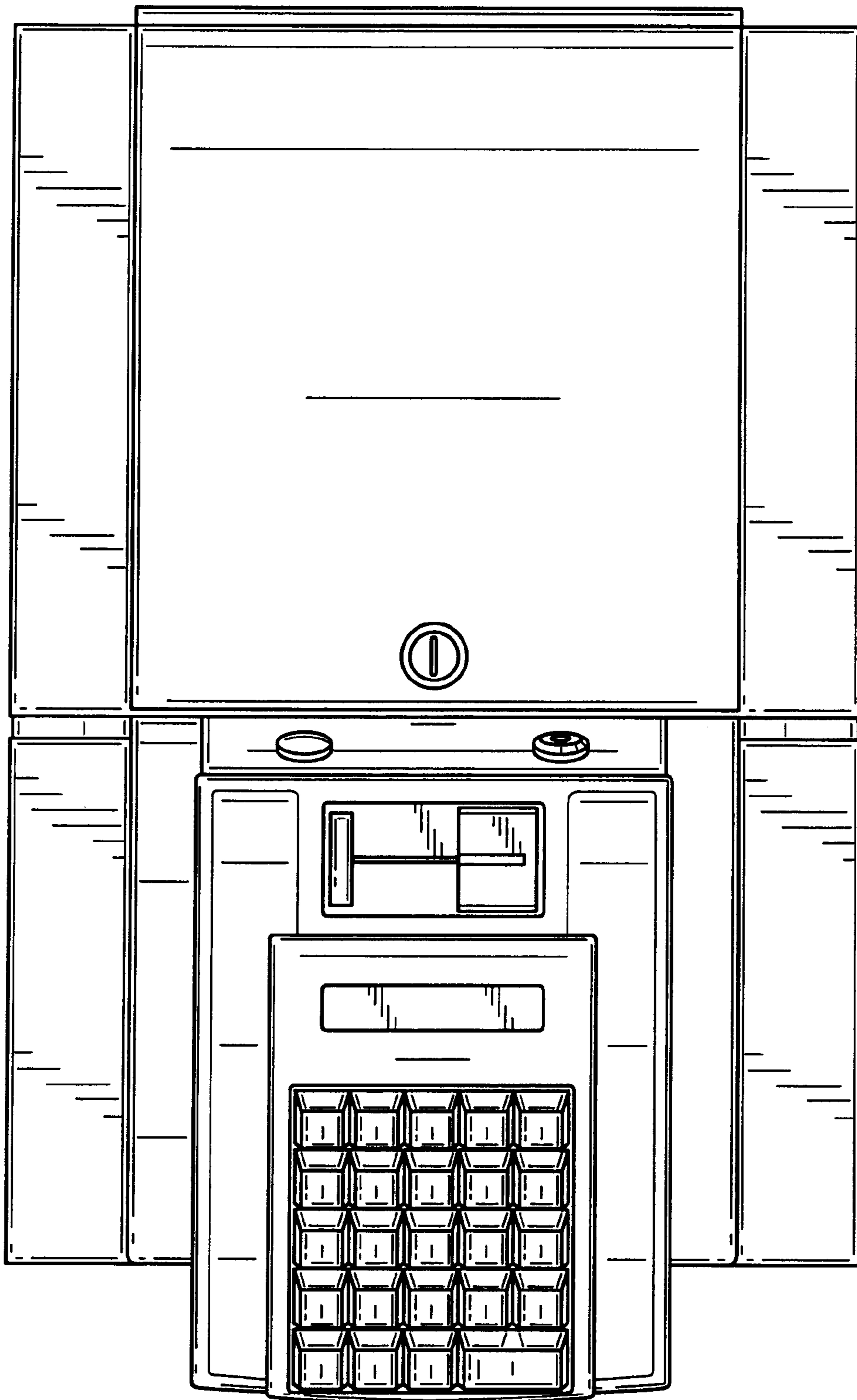


FIG. 5

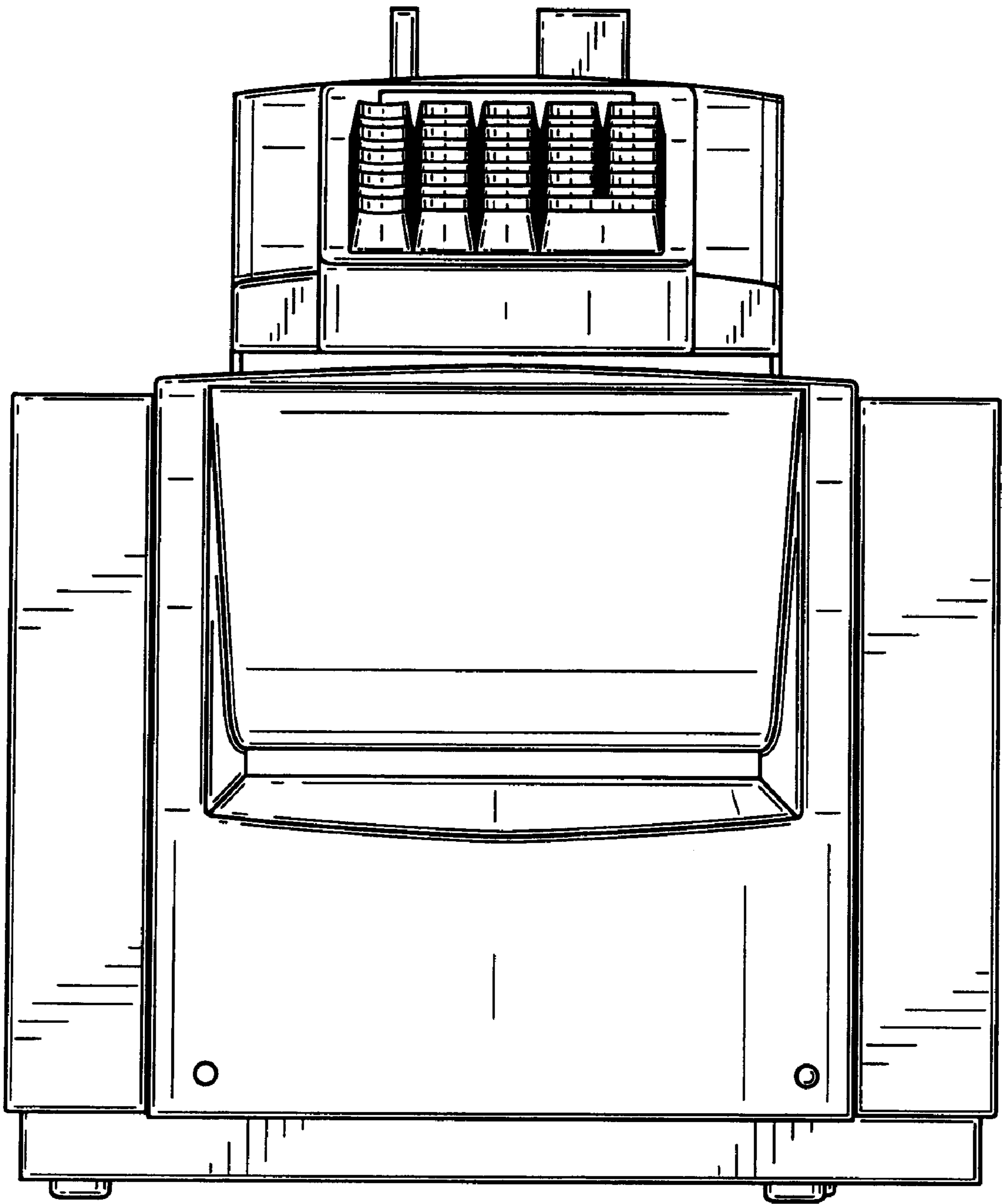


FIG. 6