



US00D453931S

(12) **United States Design Patent**  
**Murphy et al.**

(10) **Patent No.:** **US D453,931 S**

(45) **Date of Patent:** **\*\* Feb. 26, 2002**

(54) **COMPUTER PROCESSOR ENCLOSURE**

(75) Inventors: **Tim Kerry Murphy**, Chicago, IL (US);  
**Roland Zapfe**, Rochester, MN (US)

(73) Assignee: **International Business Machines Corporation**, Armonk, NY (US)

(\*\*) Term: **14 Years**

(21) Appl. No.: **29/139,496**

(22) Filed: **Mar. 30, 2001**

(51) **LOC (7) Cl.** ..... **14-02**

(52) **U.S. Cl.** ..... **D14/311**

(58) **Field of Search** ..... D14/308, 311,  
D14/312, 350, 349, 363, 351-356, 364;  
D13/162, 184, 199; 312/223.1-223.3; 360/99.01-99.12;  
361/690-696; 369/34, 36

(56) **References Cited**

**U.S. PATENT DOCUMENTS**

D322,430 S \* 12/1991 Kline et al. .... D14/349  
D366,651 S \* 1/1996 Hill et al. .... D14/363  
D380,741 S \* 7/1997 Hill et al. .... D14/308  
D404,379 S \* 1/1999 Murphy et al. .... D14/312

D404,725 S \* 1/1999 Murphy et al. .... D14/311

D439,578 S \* 3/2001 Murphy et al. .... D14/311

\* cited by examiner

*Primary Examiner*—Freda Nunn

(74) *Attorney, Agent, or Firm*—James R. Nock

(57) **CLAIM**

The ornamental design for a computer processor enclosure, as shown and described.

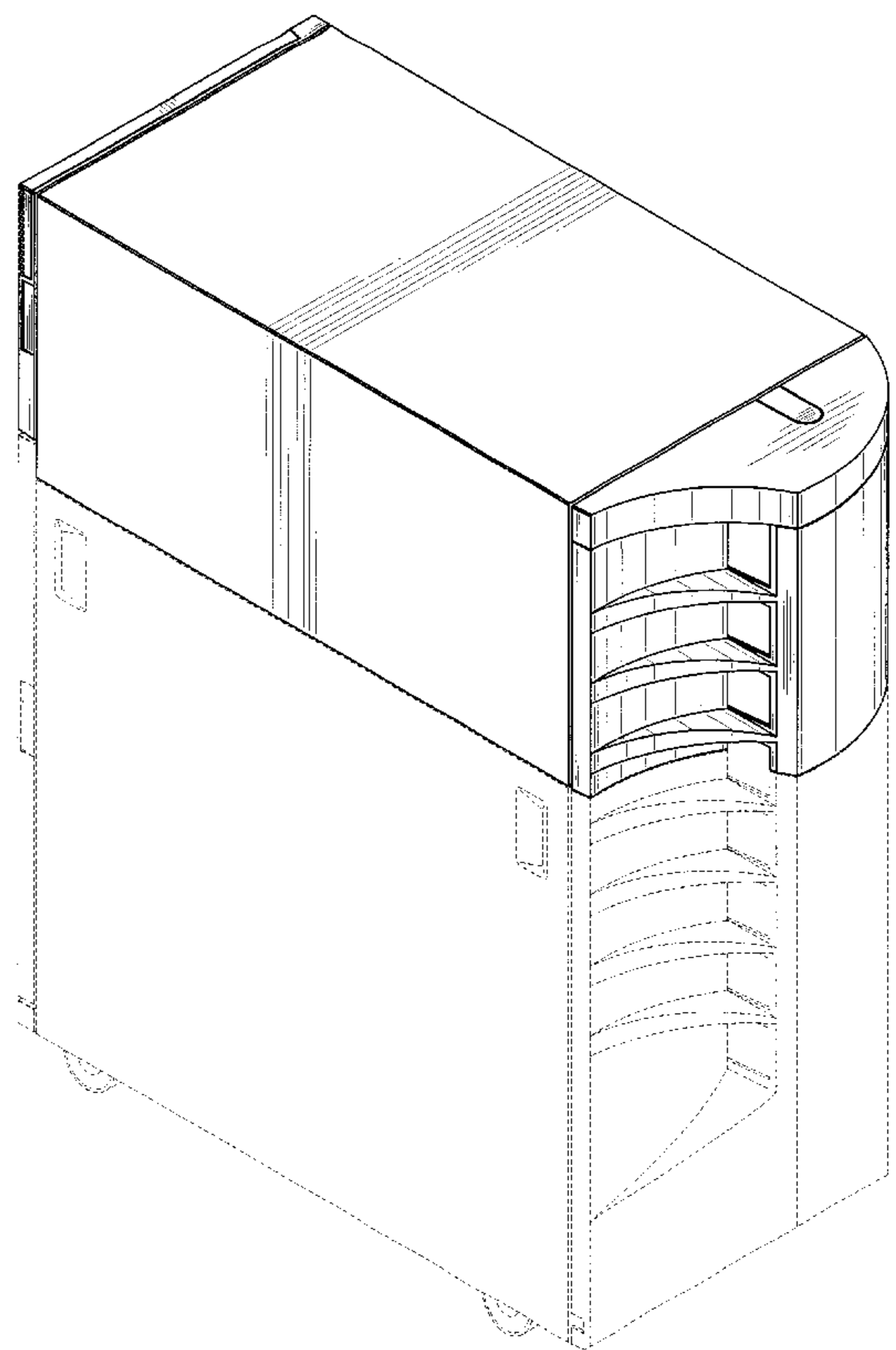
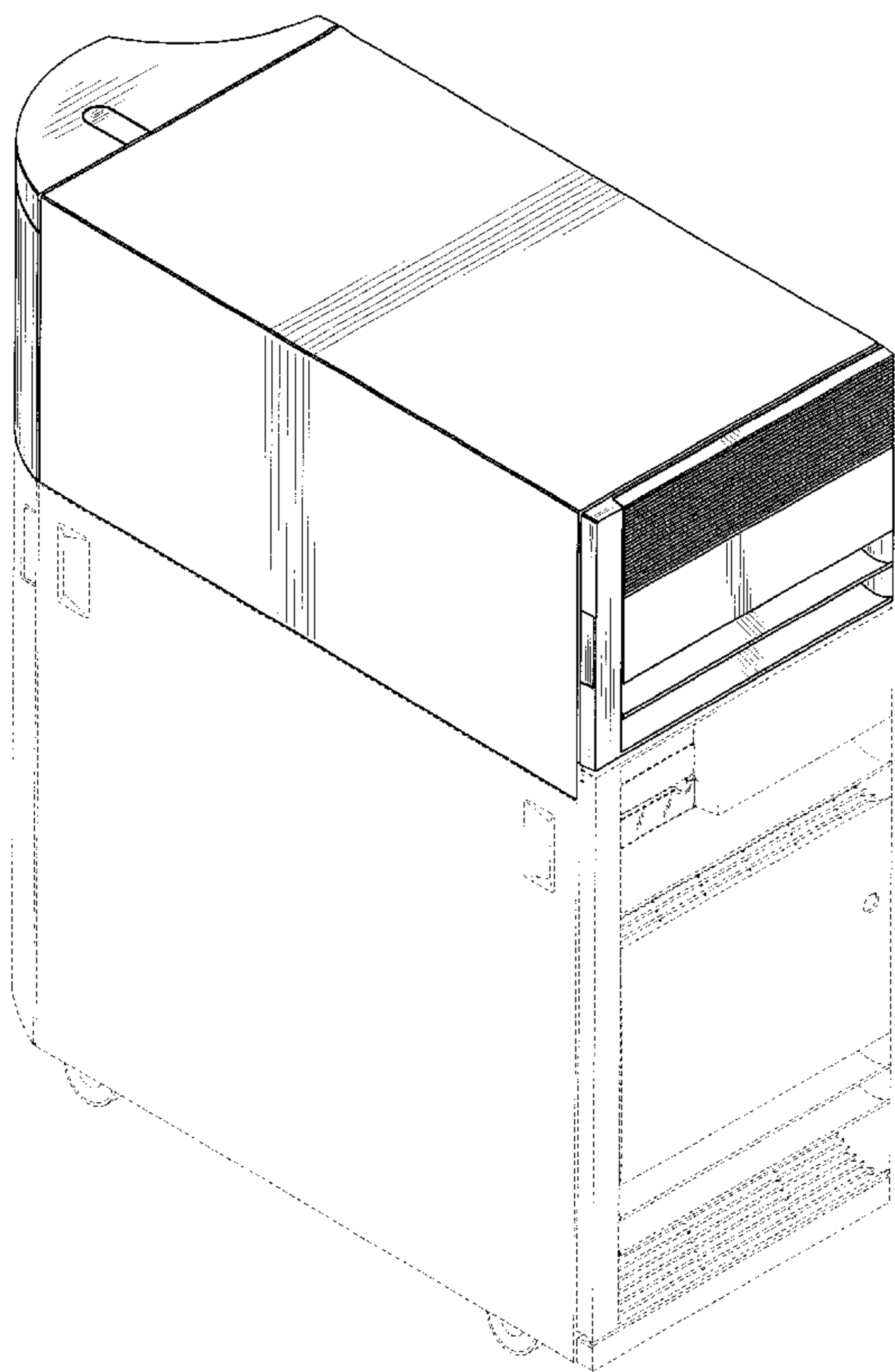
**DESCRIPTION**

FIG. 1 is a top, front, left side isometric view of a computer processor enclosure, showing our new design; FIG. 2 is a right side, rear isometric view thereof; FIG. 3 is a front view thereof; FIG. 4 is a top plan view thereof; FIG. 5 is a right side, view thereof; FIG. 6 is a left side, view thereof; and, FIG. 7 is a rear view thereof.

The bottom of the computer processor enclosure is unornamented.

The broken lines are shown in the views for illustrative purposes only and form no part of the claimed design.

**1 Claim, 7 Drawing Sheets**



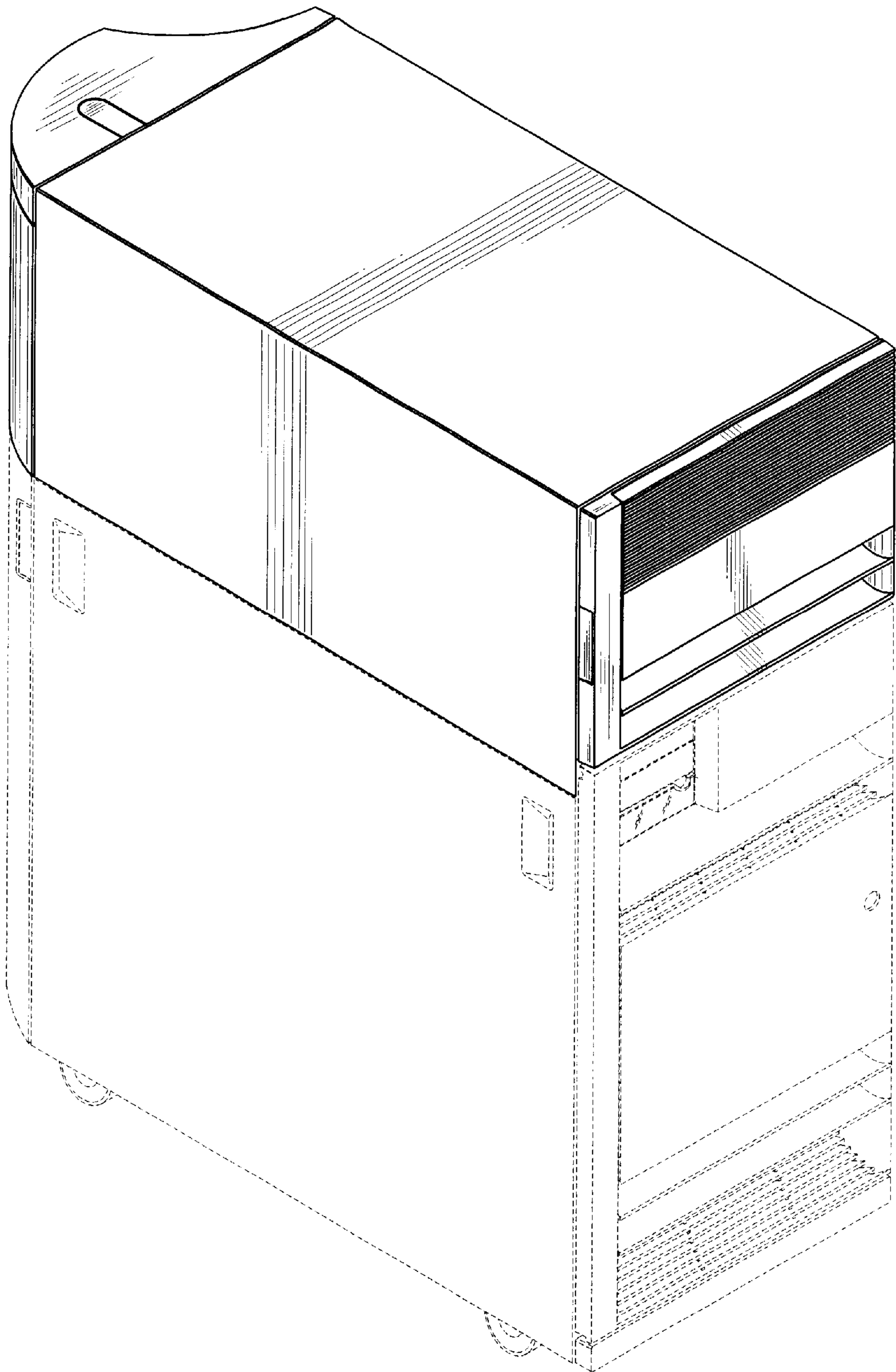


FIG. 1

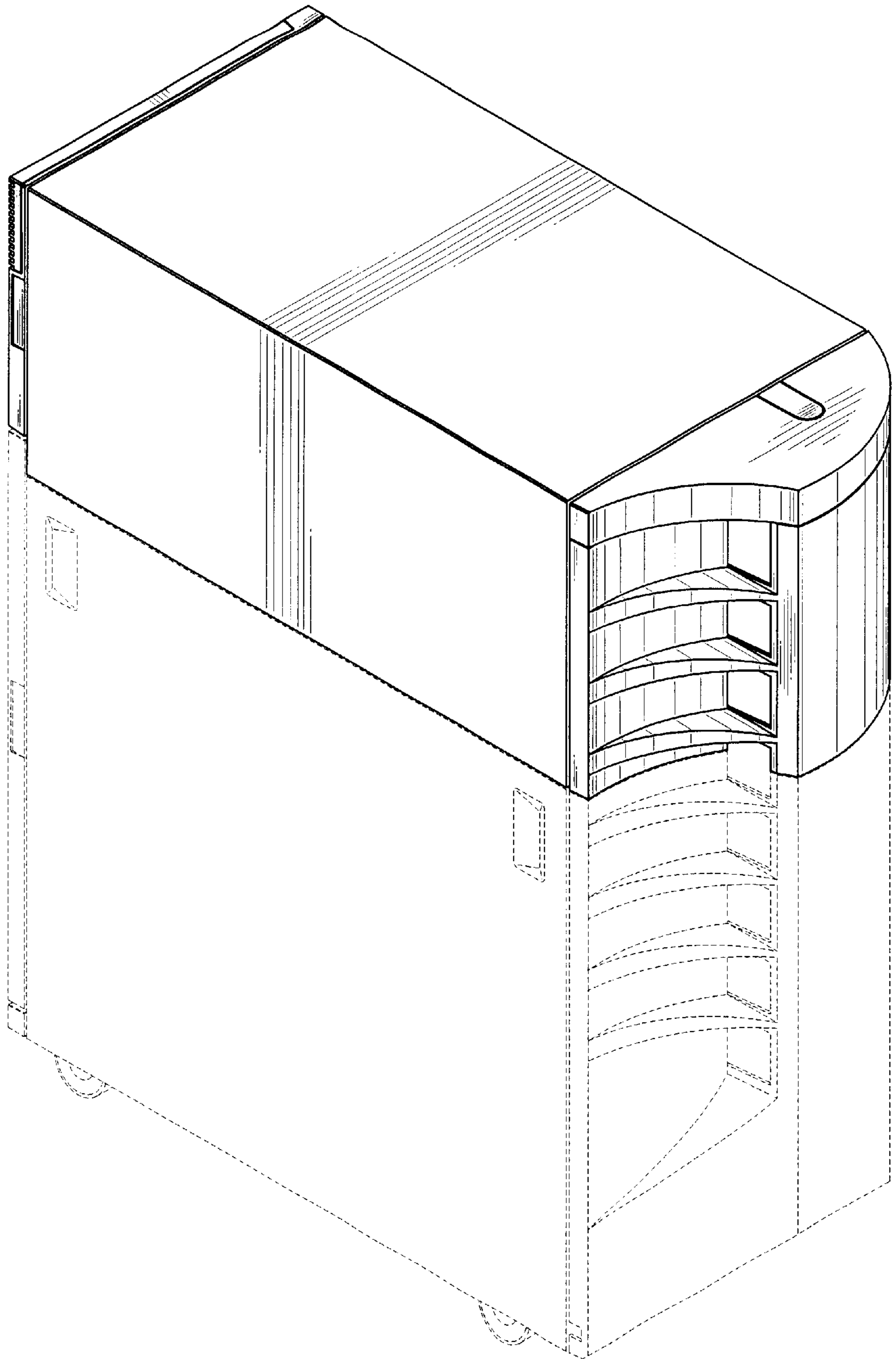


FIG. 2

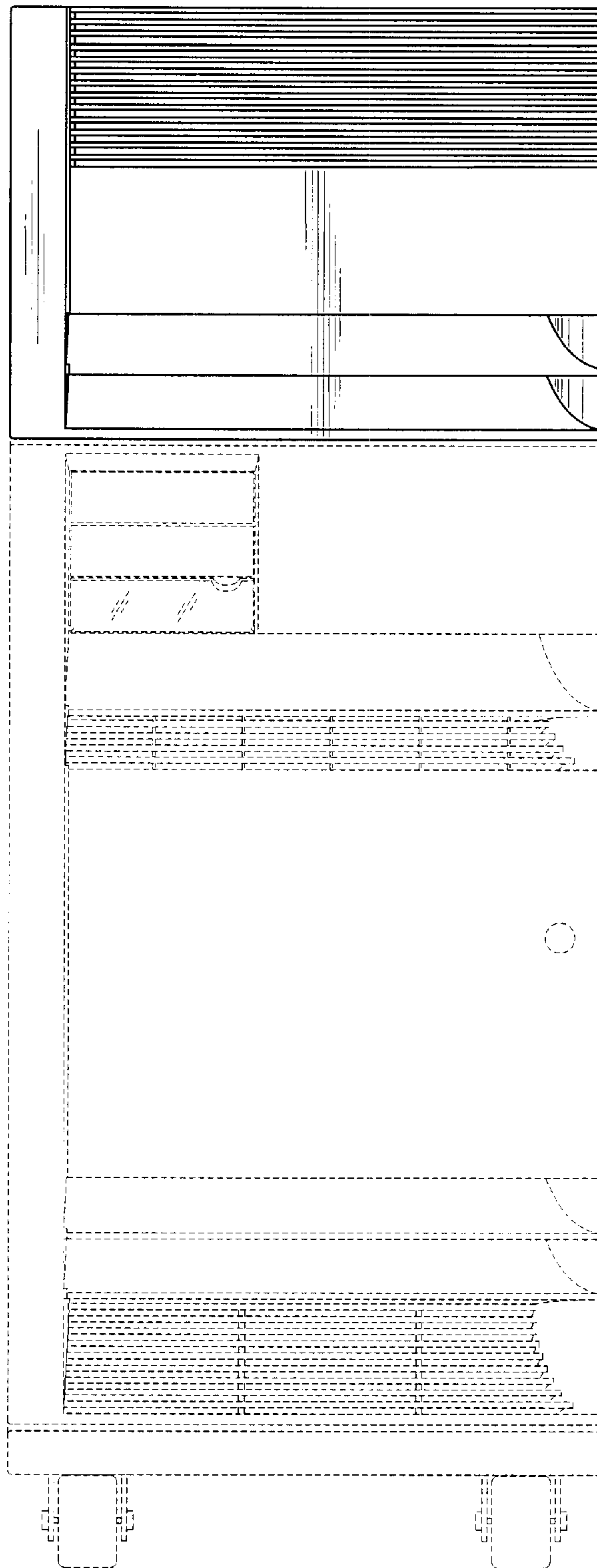


FIG. 3

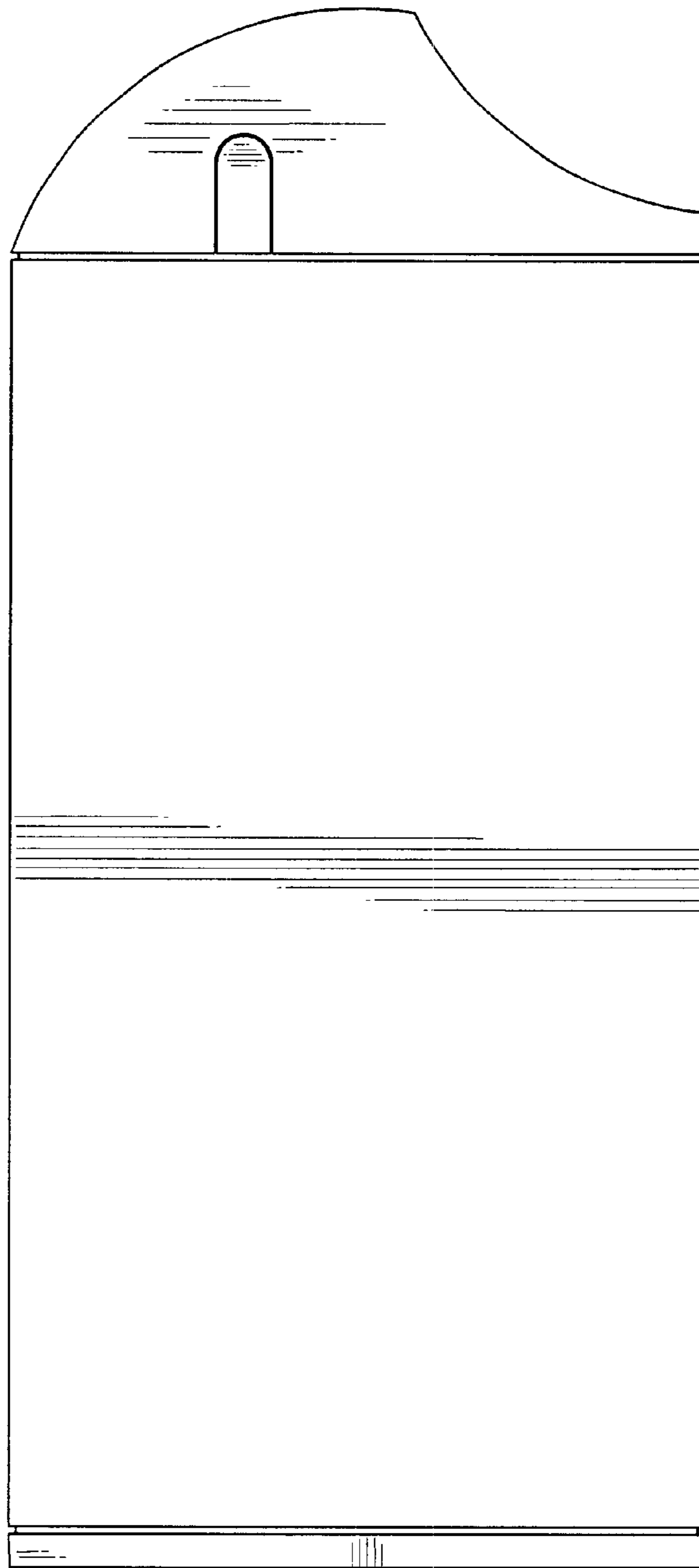


FIG. 4

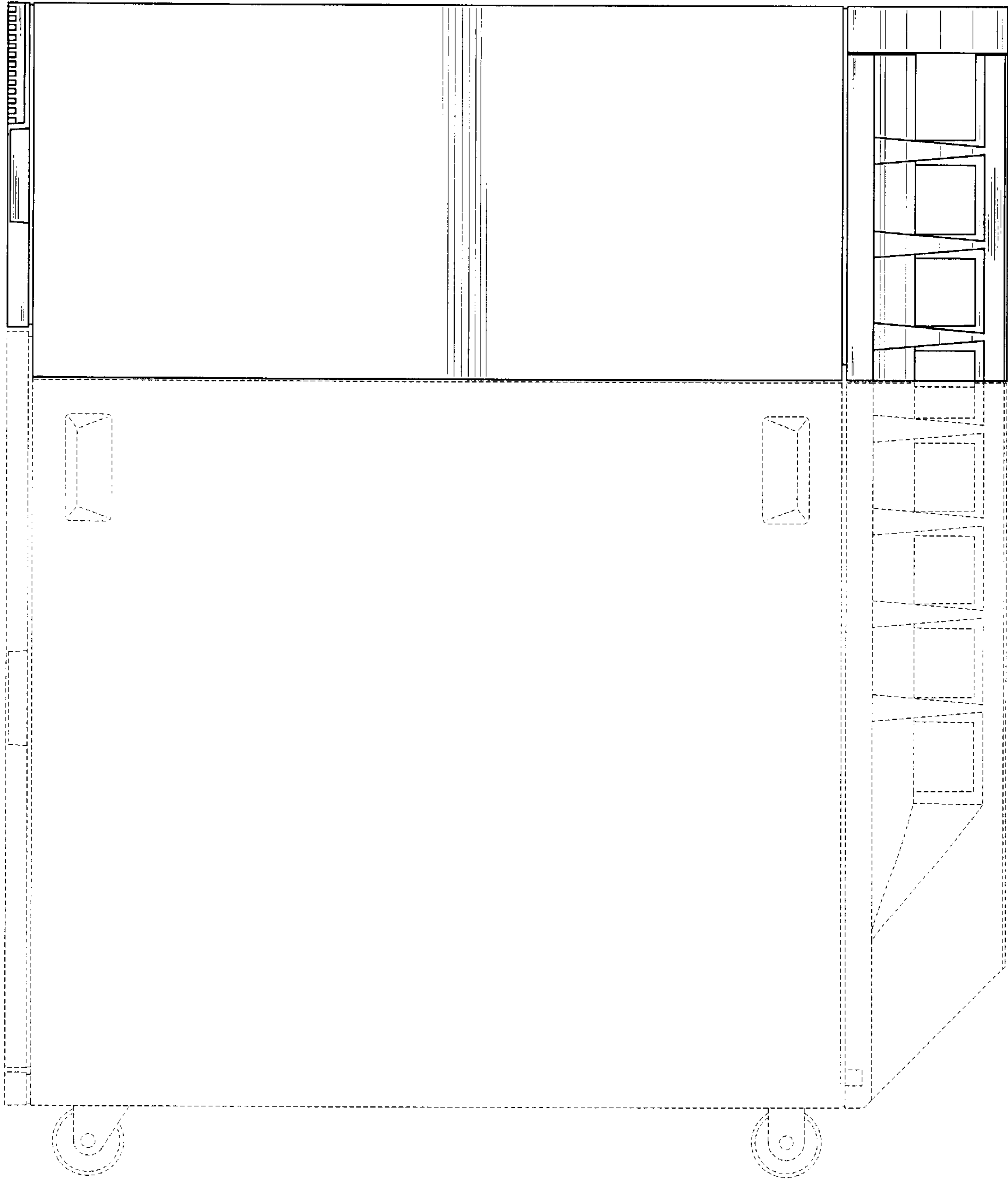


FIG. 5

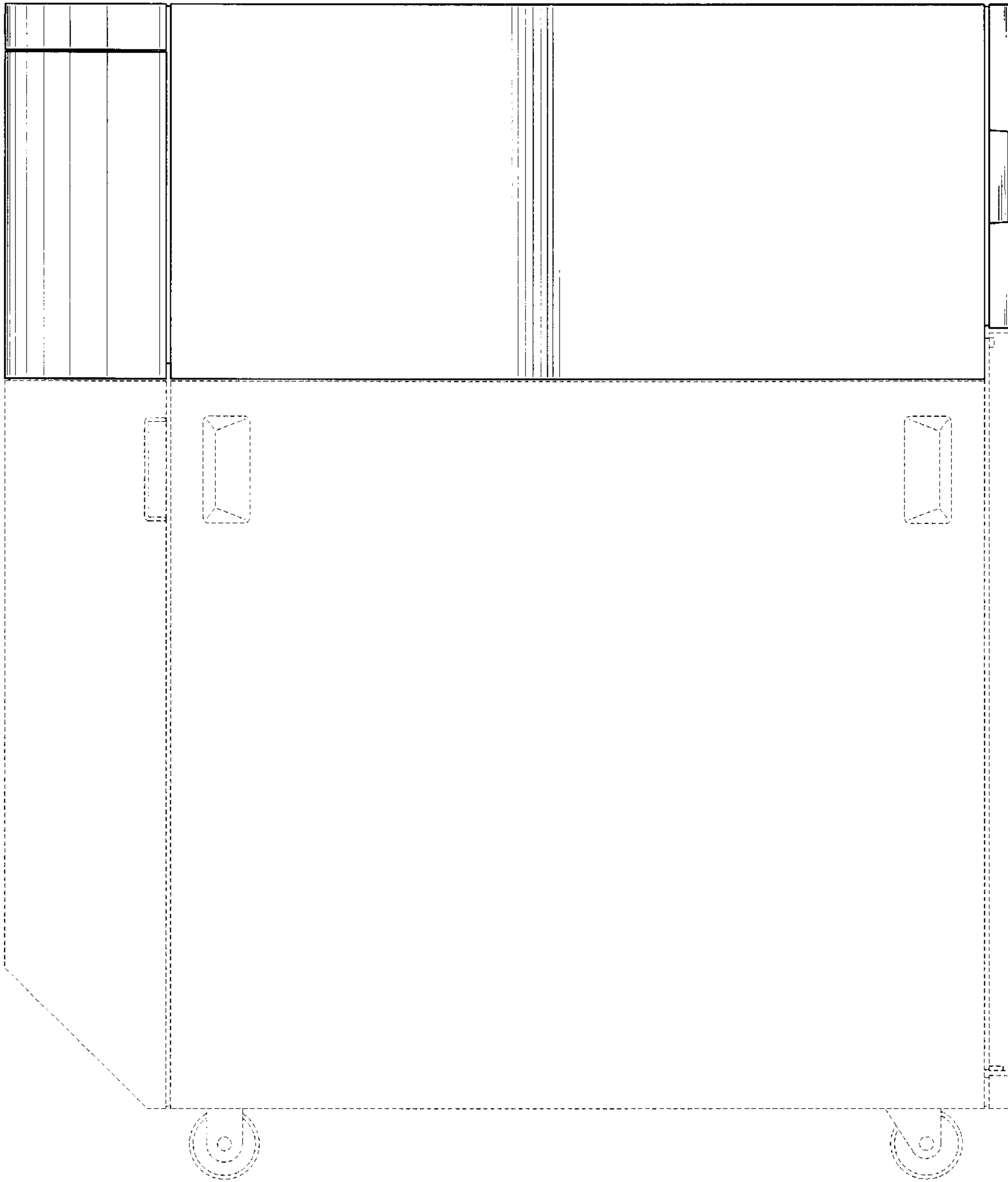


FIG. 6

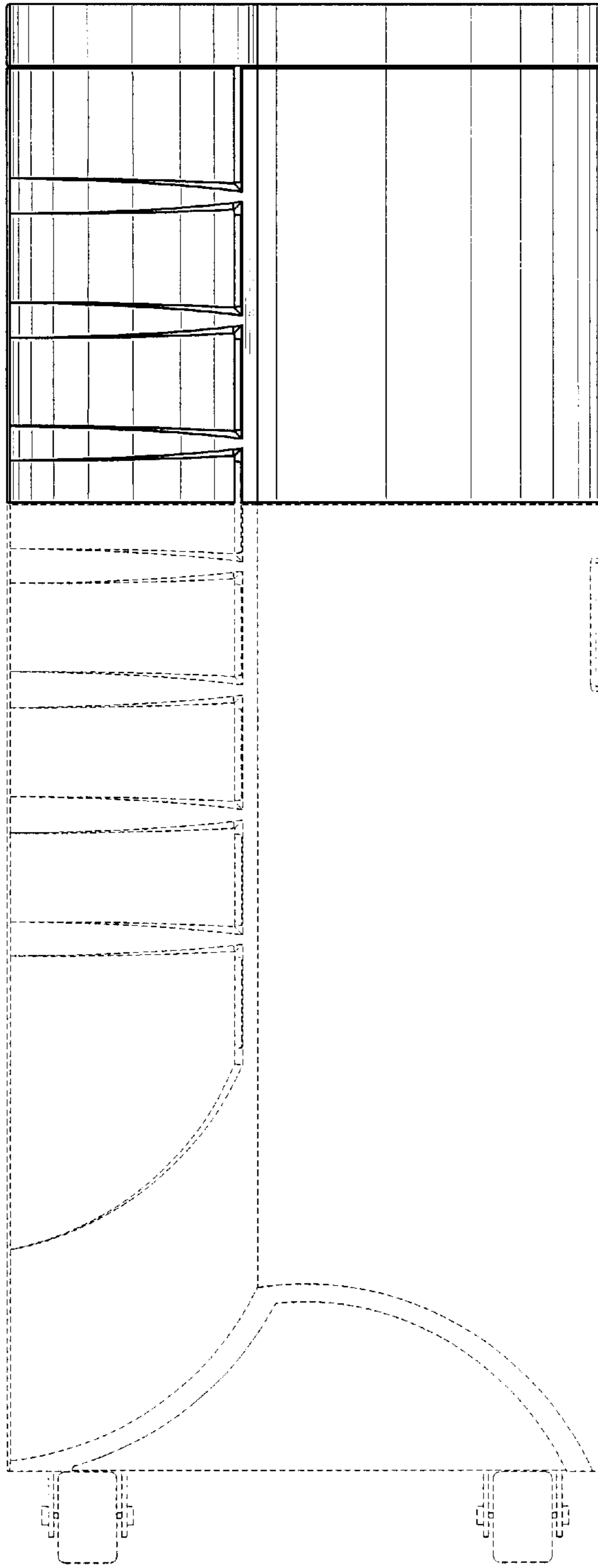


FIG. 7