



US00D453928S

(12) **United States Design Patent**
Vuolteenaho et al.

(10) **Patent No.:** **US D453,928 S**

(45) **Date of Patent:** **** Feb. 26, 2002**

(54) **KEYPAD FOR A HANDSET**

(75) Inventors: **Hanna Vuolteenaho**, Copenhagen K (DK); **Tapani Jokinen**, Oak Park, CA (US); **Pertti Salmi**, Oulu (FI)

(73) Assignee: **Nokia Mobile Phones, Ltd.**, Espoo (FI)

(**) Term: **14 Years**

(21) Appl. No.: **29/134,775**

(22) Filed: **Dec. 29, 2000**

(30) **Foreign Application Priority Data**

Aug. 23, 2000 (FI) M-20000606

(51) **LOC (7) Cl.** **14-03**

(52) **U.S. Cl.** **D14/247**

(58) **Field of Search** D14/137, 191,
D14/138, 218, 147-148, 247-248, 144,
249, 455, 341-347, 456; 379/433.434, 419,
420, 364, 428, 440, 368; 455/550-575,
90

(56) **References Cited**

U.S. PATENT DOCUMENTS

D289,896 S	5/1987	Martensson et al.	D14/53
D299,719 S	2/1989	Martensson et al.	D14/138
D302,423 S	7/1989	Martensson et al.	D14/138
D319,052 S	8/1991	Major	D14/138
D320,984 S	10/1991	Tattari	D14/138
D321,183 S	10/1991	Powell et al.	D14/138
D325,576 S	4/1992	Pitkonen	D14/138
D325,577 S	4/1992	Karlin	D14/138
D334,926 S	4/1993	Hunt et al.	D14/138
D339,338 S	9/1993	Tattari et al.	D14/138
D341,138 S	11/1993	Cummings	D14/138
D345,734 S	4/1994	Seymour et al.	D14/138
D348,667 S	7/1994	Oksman et al.	D14/148
D349,112 S	7/1994	Tattari	D14/138
D349,898 S	8/1994	Tattari et al.	D14/148
D353,807 S	12/1994	White	D14/138
D353,809 S	12/1994	Nuovo et al.	D14/138
D354,284 S	1/1995	White	D14/138
D356,561 S	3/1995	Berry	D14/138

D356,562 S	3/1995	Nuovo	D14/138
D356,563 S	3/1995	Berry	D14/138
D361,328 S	8/1995	White	D14/138
D361,762 S	8/1995	Berry	D14/138
D362,249 S	9/1995	Burstedt et al.	D14/138
D364,620 S	11/1995	Prior et al.	D14/147
5,546,457 A *	8/1996	Tomura et al.	379/368
D374,006 S	9/1996	Tattari	D14/138
D374,007 S	9/1996	Tattari	D14/138
D384,950 S	10/1997	Park	D14/138
D385,554 S	10/1997	Nuovo et al.	D14/138
D385,876 S	11/1997	Park	D14/138
D385,887 S	11/1997	Park	D14/250
D386,188 S	11/1997	Park	D14/250
D388,784 S	1/1998	Phillips et al.	D14/138
D390,555 S	2/1998	Finke-Anlauff	D14/138
D392,961 S	3/1998	Konttinen	D14/114.1
D392,962 S	3/1998	Konttinen	D14/114.1
D392,967 S	3/1998	Mason	D14/138
D392,968 S	3/1998	Johansson	D14/144
D393,263 S	4/1998	Johansson	D14/240
5,745,566 A *	4/1998	Petrella et al.	379/433
D395,049 S	6/1998	Mason	D14/247

(List continued on next page.)

Primary Examiner—Jeffrey Asch

(74) *Attorney, Agent, or Firm*—Perman & Green, LLP

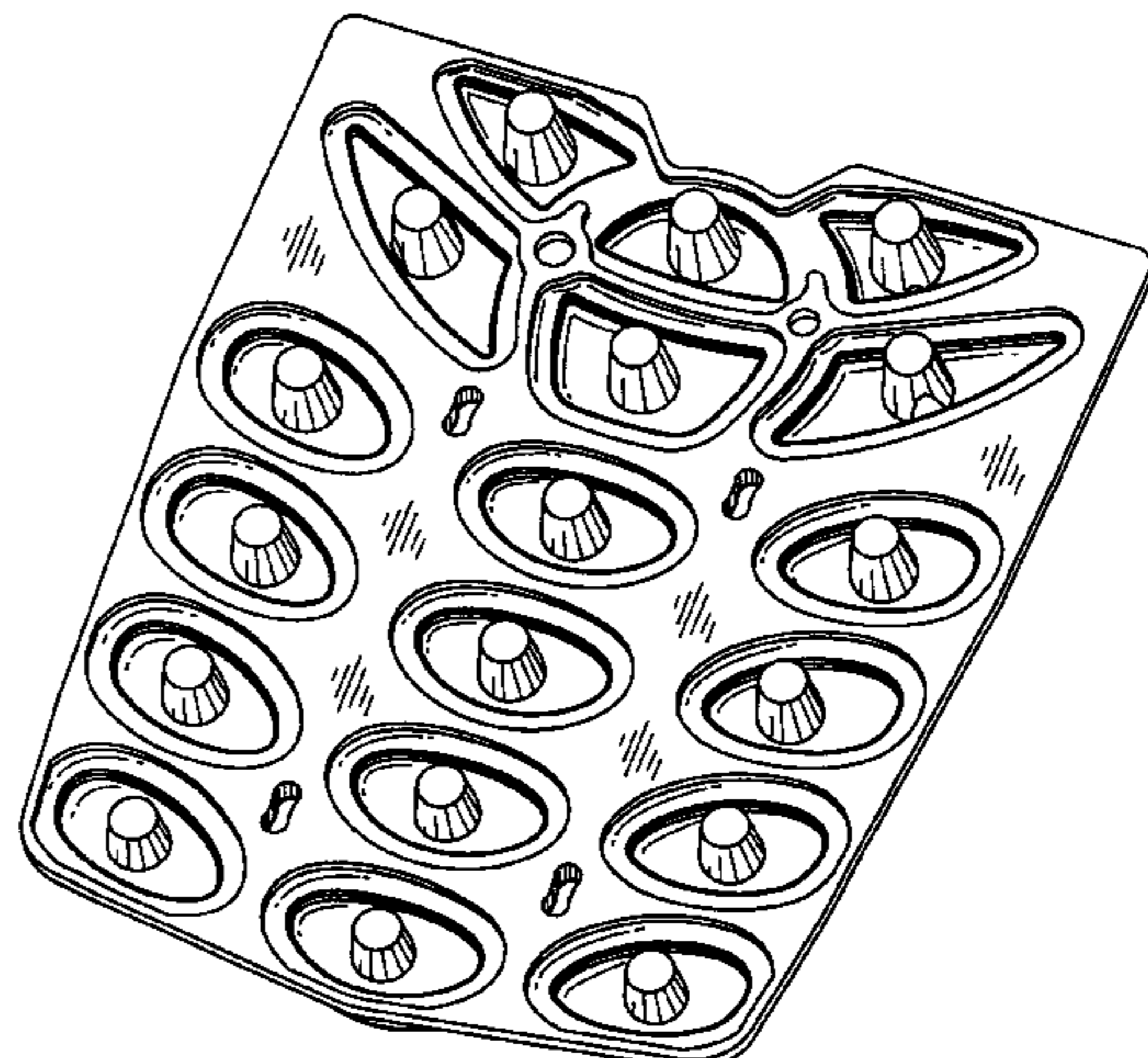
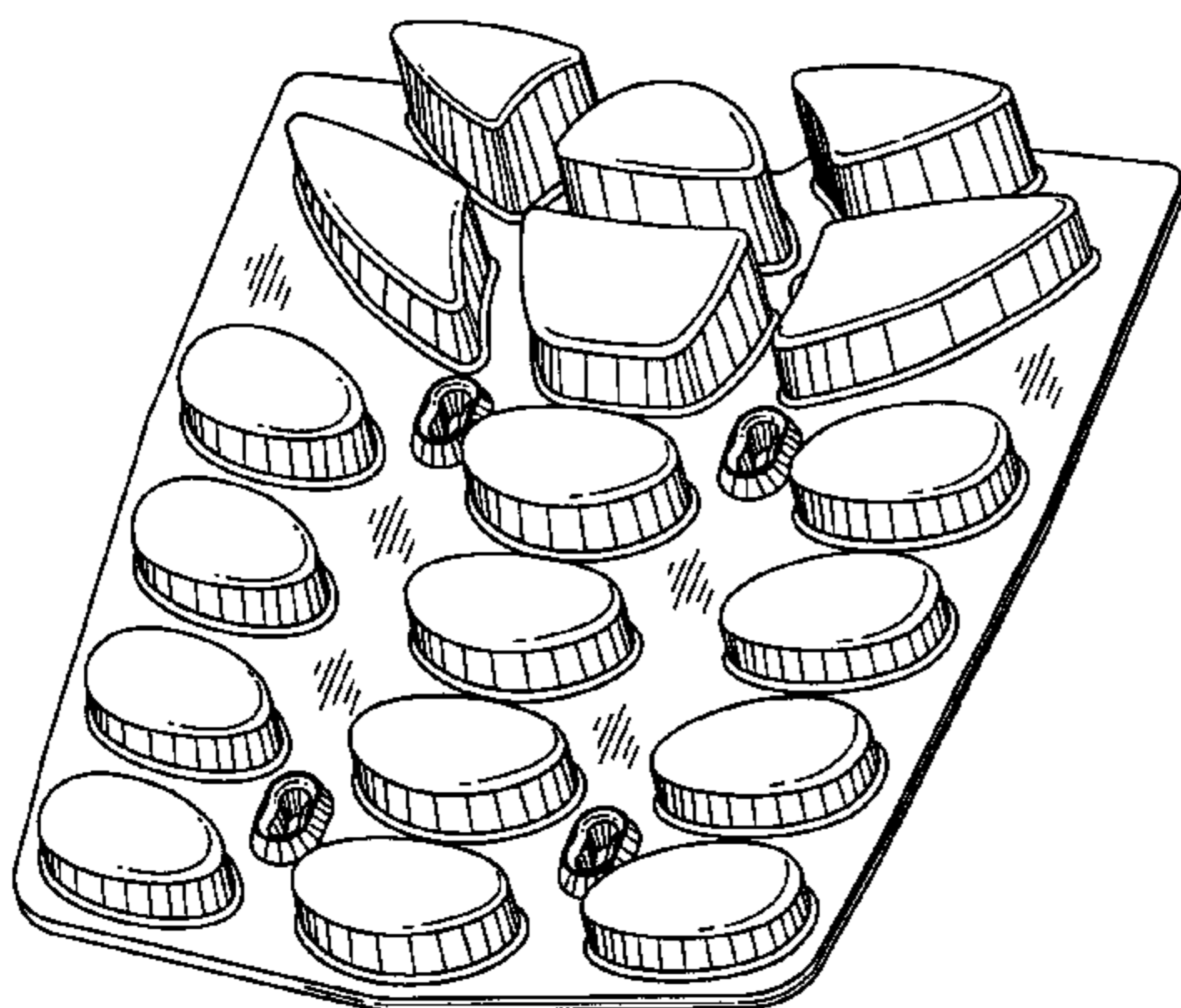
(57) **CLAIM**

The ornamental design for a “keypad for a handset”, as shown and described.

DESCRIPTION

FIG. 1 is a bottom plan view of a keypad for a handset showing our new design;
FIG. 2 is a right side view thereof;
FIG. 3 is a front elevational view thereof;
FIG. 4 is a left side view thereof;
FIG. 5 is a top plan view thereof;
FIG. 6 is a front, bottom, right side perspective front view thereof;
FIG. 7 is a rear, bottom, left side perspective rear view thereof; and,
FIG. 8 is a rear elevational view thereof.

1 Claim, 4 Drawing Sheets



US D453,928 S

Page 2

U.S. PATENT DOCUMENTS

D395,316 S	6/1998	Mason	D14/250	D419,992 S	2/2000	Kolinen	D14/138	
D395,431 S	6/1998	Harris et al.	D14/138	D419,994 S	2/2000	Curtis et al.	D14/138	
5,768,370 A	6/1998	Maatta et al.	379/433	D420,677 S	2/2000	Kolinen	D14/247	
D396,230 S	7/1998	Phillips et al.	D14/138	D420,678 S	*	2/2000	Curtis et al.	D14/247
D396,713 S	8/1998	Nuovo et al.	D14/138	D420,680 S	2/2000	Curtis	D14/248	
D396,714 S	8/1998	Nuovo et al.	D14/138	D421,004 S	2/2000	Curtis	D14/138	
D398,930 S	9/1998	Nuovo et al.	D14/250	D421,005 S	2/2000	Lucaci et al.	D14/138	
D398,931 S	9/1998	Nuovo et al.	D14/250	D421,019 S	*	2/2000	Curtis	D14/247
D400,203 S	10/1998	Kolinen	D14/138	D421,020 S	2/2000	Curtis	D14/247	
D402,653 S	12/1998	Nuovo et al.	D14/138	D421,021 S	2/2000	Curtis et al.	D14/247	
D402,664 S	12/1998	Phillips et al.	D14/247	D421,022 S	2/2000	Curtis	D14/248	
5,848,152 A	12/1998	Slipy et al.	379/433	D421,023 S	2/2000	Curtis	D14/248	
D405,445 S	2/1999	Phillips et al.	D14/138	D421,442 S	3/2000	Curtis et al.	D14/248	
D405,783 S	2/1999	Nuovo et al.	D14/138	D421,611 S	3/2000	Nuovo	D14/248	
D405,784 S	2/1999	Phillips et al.	D14/138	D421,985 S	3/2000	Collins	D14/138	
D405,785 S	2/1999	Vuolteenaho	D14/138	D421,992 S	3/2000	Phillips et al.	D14/247	
D405,795 S	2/1999	Nuovo et al.	D14/218	D422,597 S	4/2000	Finkbeiner	D14/248	
D406,137 S	2/1999	Kolinen	D14/138	D423,015 S	4/2000	Curtis et al.	D14/248	
D406,583 S	3/1999	Phillips et al.	D14/138	D423,515 S	4/2000	Phillips et al.	D14/247	
D406,585 S	3/1999	Vuolteenaho et al.	D14/138	D423,516 S	4/2000	Frye et al.	D14/248	
D407,398 S	3/1999	Nuovo et al.	D14/138	D424,571 S	5/2000	Finkbeiner	D14/247	
D407,399 S	*	3/1999	Frye et al.	D425,057 S	5/2000	Finkbeiner	D14/137	
D407,400 S	3/1999	Tattari	D14/138	D425,073 S	5/2000	Finkbeiner	D14/248	
D408,030 S	*	4/1999	Richards et al.	D425,074 S	5/2000	Frye et al.	D14/248	
D408,031 S	4/1999	Tattari et al.	D14/138	D425,904 S	5/2000	Frye et al.	D14/247	
D408,398 S	*	4/1999	Arnold	D426,829 S	6/2000	Curtis	D14/248	
D408,400 S	*	4/1999	Dalby et al.	D426,830 S	6/2000	Curtis	D14/248	
D408,813 S	*	4/1999	Prior	D427,171 S	6/2000	Frye et al.	D14/138	
D408,824 S	4/1999	Johansson et al.	D14/247	D428,001 S	7/2000	Curtis	D14/248	
D409,204 S	5/1999	Vuolteenaho	D14/247	D428,401 S	*	7/2000	Curtis	D14/138
D409,598 S	5/1999	Tattari	D14/138	6,084,962 A	7/2000	Plenge	379/433	
D409,599 S	5/1999	Tattari	D14/138	D428,878 S	*	8/2000	Finkbeiner	D14/247
D409,999 S	5/1999	Nuovo et al.	D14/138	D428,879 S	*	8/2000	Frye et al.	D14/247
D410,000 S	5/1999	Nuovo	D14/138	D429,239 S	8/2000	Frye et al.	D14/247	
D411,205 S	6/1999	Frye et al.	D14/250	D429,240 S	*	8/2000	Curtis	D14/247
D412,168 S	7/1999	Phillips et al.	D14/138	D429,241 S	8/2000	Collins	D14/248	
D412,704 S	8/1999	Vuolteenaho et al.	D14/138	D429,491 S	8/2000	Finkbeiner	D14/248	
D412,710 S	8/1999	Nuovo	D14/250	D430,151 S	8/2000	Frye et al.	D14/247	
D413,896 S	*	9/1999	Frye et al.	6,097,964 A	8/2000	Nuovo et al.	455/550	
D414,189 S	9/1999	Phillips et al.	D14/247	6,125,287 A	9/2000	Cushman et al.	455/566	
D415,149 S	10/1999	Vuolteenaho et al.	D14/138	D432,529 S	10/2000	Kolinen	D14/247	
D415,152 S	*	10/1999	Koo	6,141,540 A	10/2000	Richards et al.	455/90	
D415,489 S	*	10/1999	Ke	D433,002 S	11/2000	Kolinen	D14/138	
D415,498 S	10/1999	Kolinen	D14/248	D434,410 S	11/2000	Frye et al.	D14/248	
D415,770 S	10/1999	Nuovo	D14/248	D434,744 S	12/2000	Lai	D14/138	
D416,024 S	11/1999	Johansson et al.	D14/247	D434,754 S	12/2000	Banryu	D14/248	
D416,255 S	11/1999	Johansson et al.	D14/144	D434,755 S	12/2000	Banryu	D14/248	
D416,563 S	11/1999	Kolinen	D14/248	D436,102 S	1/2001	Wu	D14/248	
D416,913 S	11/1999	Kolinen	D14/250	D436,590 S	*	1/2001	Finkbeiner	D14/247
5,982,881 A	*	11/1999	Mischenko	D436,938 S	*	1/2001	Won	D14/138
D417,454 S	12/1999	Vuolteenaho	D14/247	D436,949 S	1/2001	Frye et al.	D14/248	
D418,145 S	12/1999	Arbisi	D14/248	D437,838 S	*	2/2001	Ko	D14/147
D418,146 S	12/1999	Frye et al.	D14/248	6,188,765 B1	2/2001	Frye et al.	379/433	
6,006,118 A	*	12/1999	Stephenson	6,195,569 B1	2/2001	Frederiksen	455/566	
D418,504 S	1/2000	Frye et al.	D14/138	D439,230 S	3/2001	Braxton et al.	D14/138	
D419,550 S	1/2000	Caroen et al.	D14/138	D440,561 S	4/2001	Kolinen	D14/247	

* cited by examiner

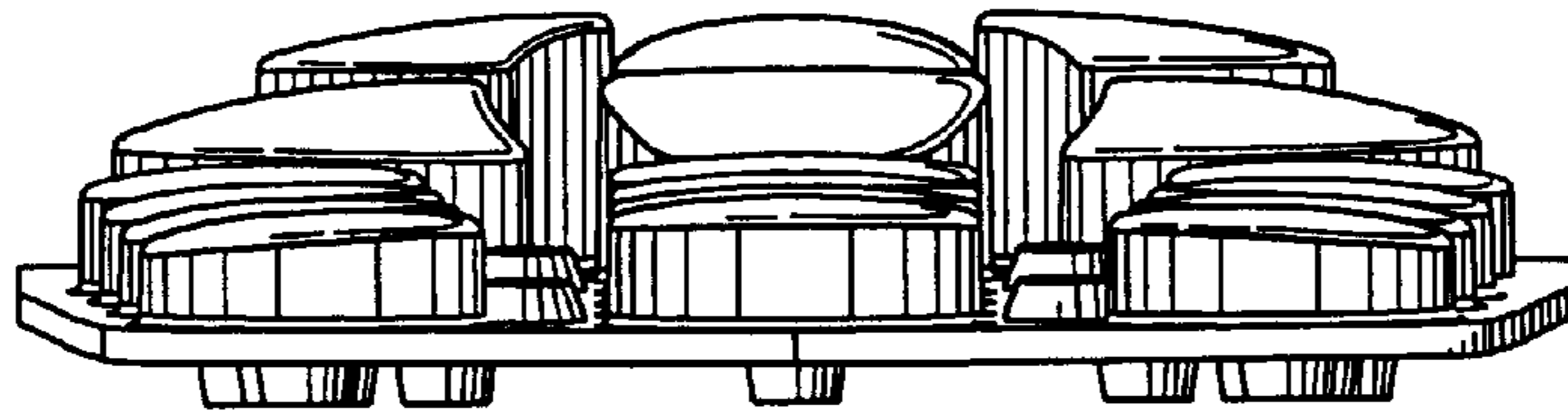


Fig. 1

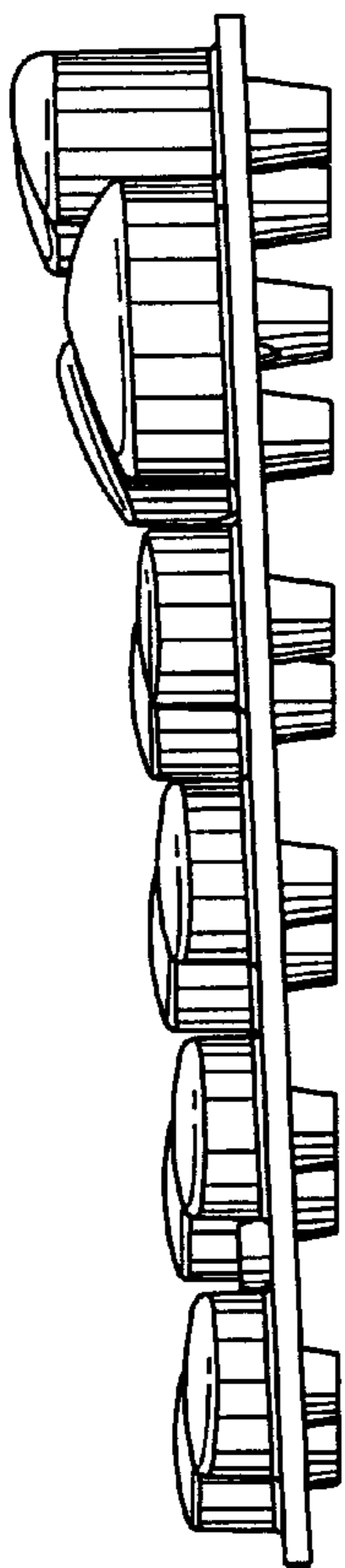


Fig. 2

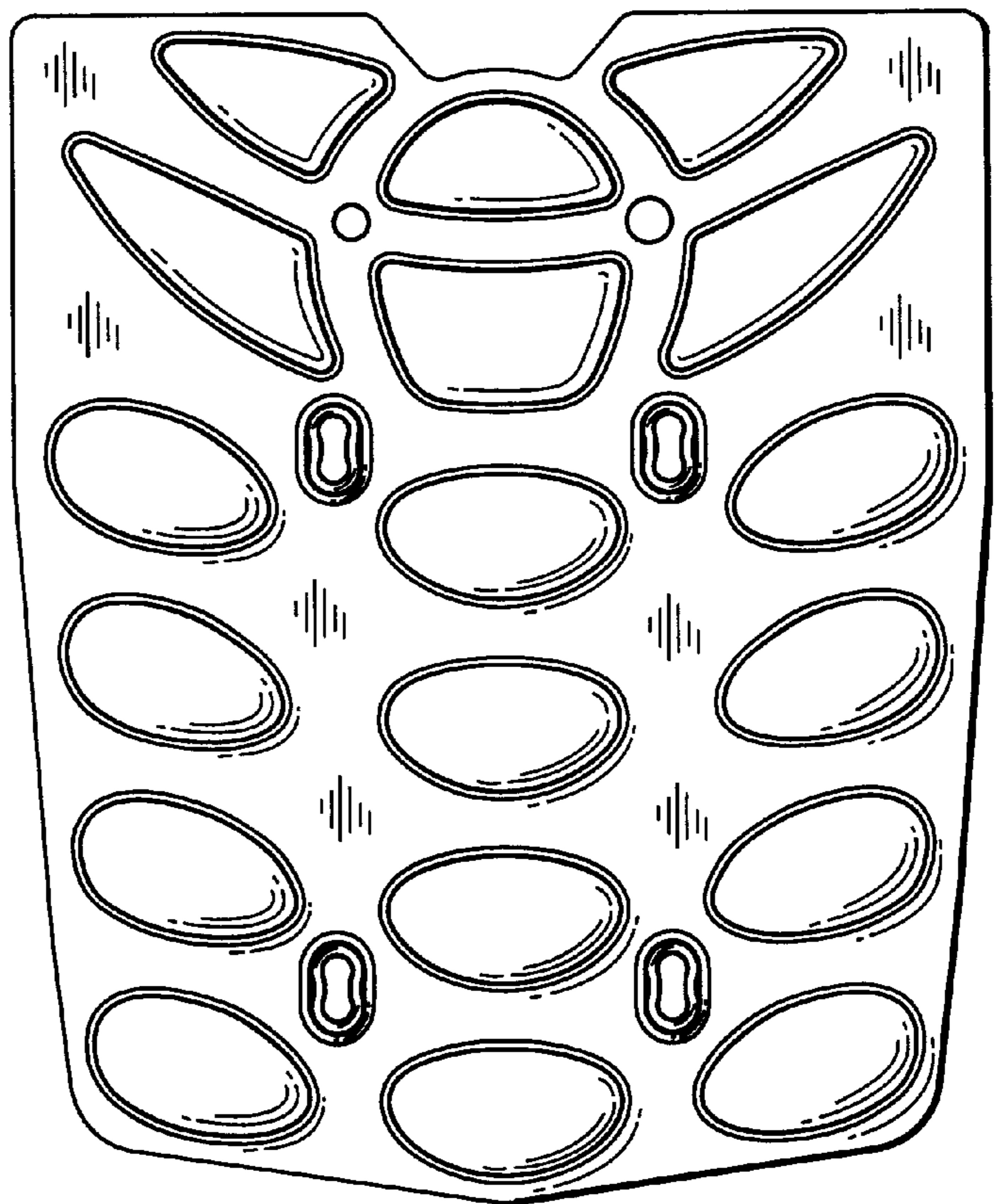


Fig. 3

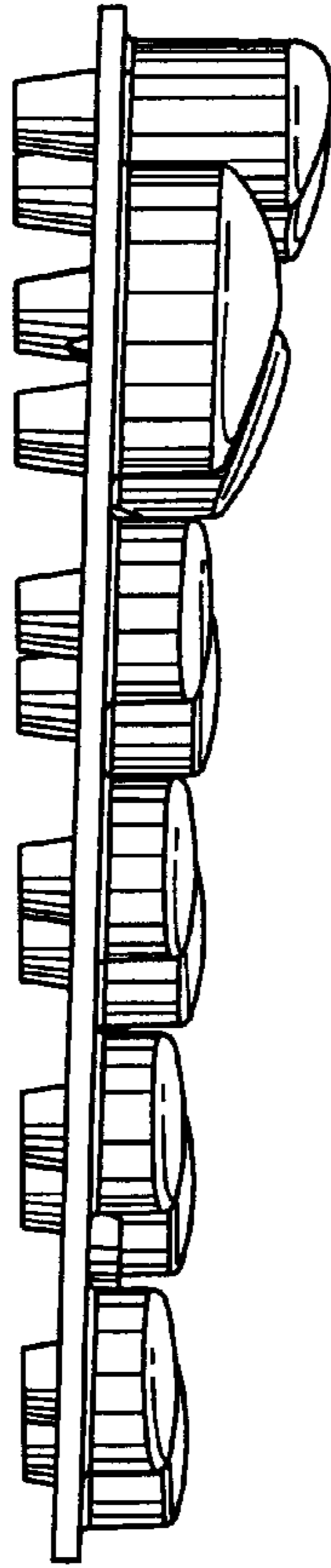


Fig. 4

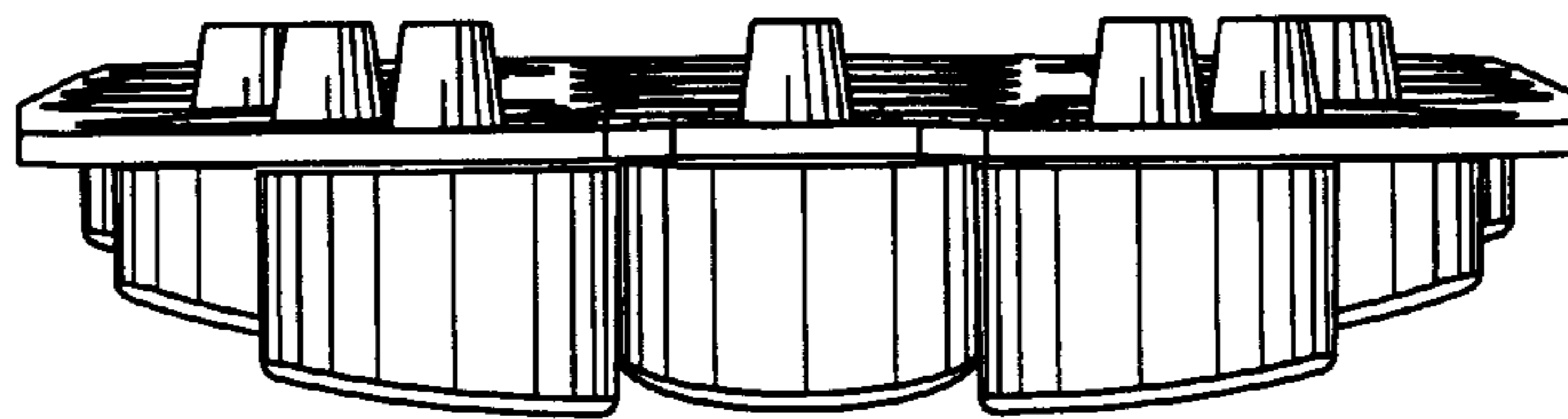


Fig. 5

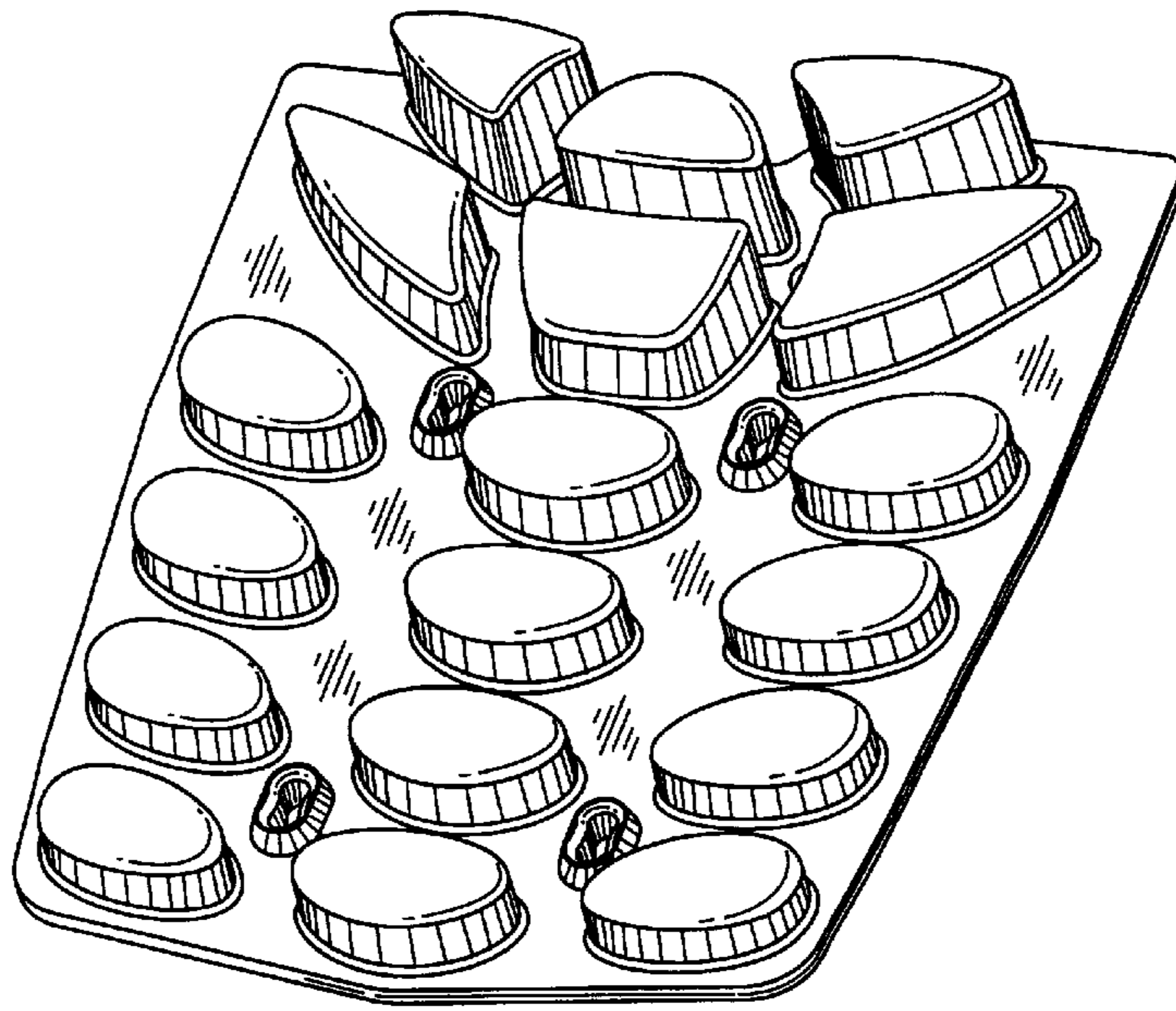


Fig. 6

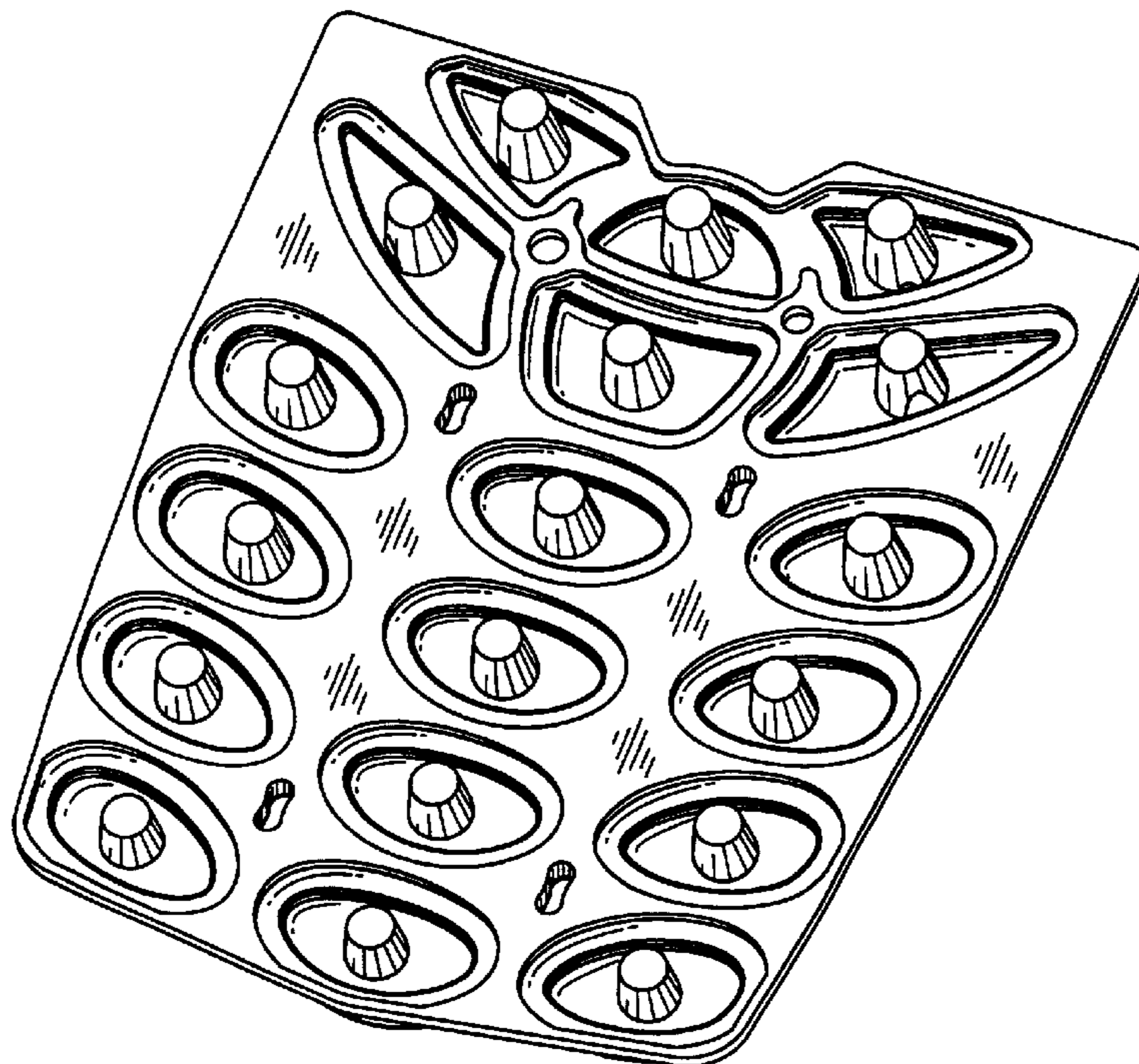


Fig. 7

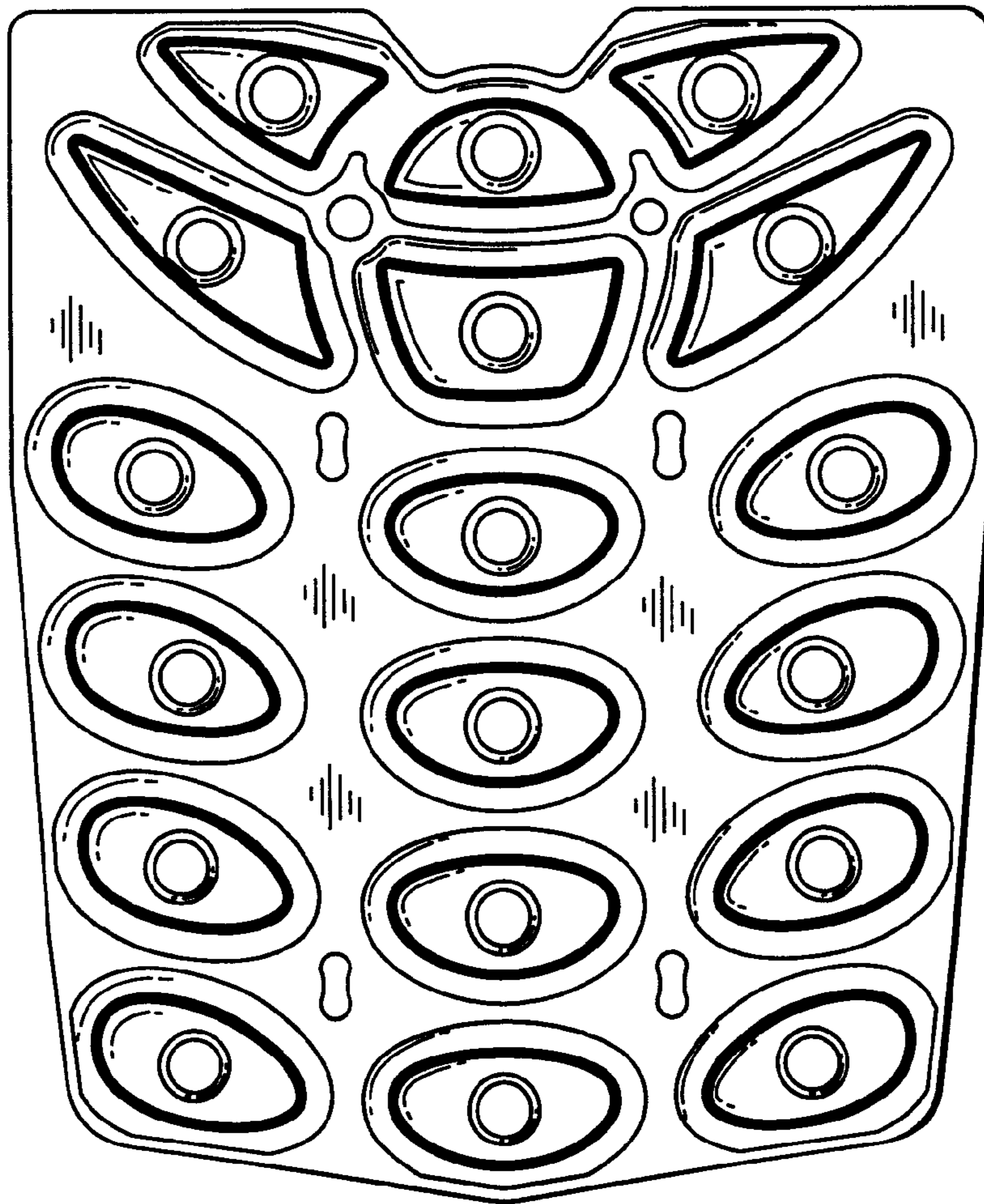


Fig. 8