



US00D453922S

(12) **United States Design Patent**
Azuma et al.

(10) **Patent No.:** **US D453,922 S**

(45) **Date of Patent:** **** Feb. 26, 2002**

(54) **ELECTRICAL CONNECTOR**

(75) Inventors: **Yoichiro Azuma, Hino; Yasuhiro Ono,**
Sagamihara; **Shigenori Koike,** Tama,
all of (JP)

(73) Assignee: **Kel Corporation,** Tokyo (JP)

(**) Term: **14 Years**

(21) Appl. No.: **29/083,777**

(22) Filed: **Feb. 17, 1998**

(51) **LOC (7) Cl.** **13-03**

(52) **U.S. Cl.** **D13/147**

(58) **Field of Search** D13/147; 439/78,
439/62, 81, 79, 82, 83, 680, 607, 630, 636,
682, 252, 325, 326, 378, 633

(56) **References Cited**

U.S. PATENT DOCUMENTS

- 3,997,231 A * 12/1976 Sherwood 439/630 X
- 4,643,500 A * 2/1987 Krumme 439/630
- 4,687,263 A * 8/1987 Cosmos et al. 439/607 X

- 5,263,867 A * 11/1993 Doi et al. 439/62
- 5,277,597 A * 1/1994 Masami et al. 439/83
- D390,828 S * 2/1998 Aramaki D13/147

* cited by examiner

Primary Examiner—Joel Sincavage

(74) *Attorney, Agent, or Firm*—Robert W. J. Usher

(57) **CLAIM**

The ornamental design for an electrical connector, as shown and described.

DESCRIPTION

FIG. 1 is a top view of an electrical connector showing our new design;
 FIG. 2 is a front view;
 FIG. 3 is a bottom view;
 FIG. 4 is a rear view;
 FIG. 5 is an enlarged, left side view;
 FIG. 6 is an enlarged, right side view;
 FIG. 7 is a sectional view along 7—7;
 FIG. 8 is an enlarged, sectional view along 8—8; and,
 FIG. 9 is a reduced, perspective view.

1 Claim, 4 Drawing Sheets

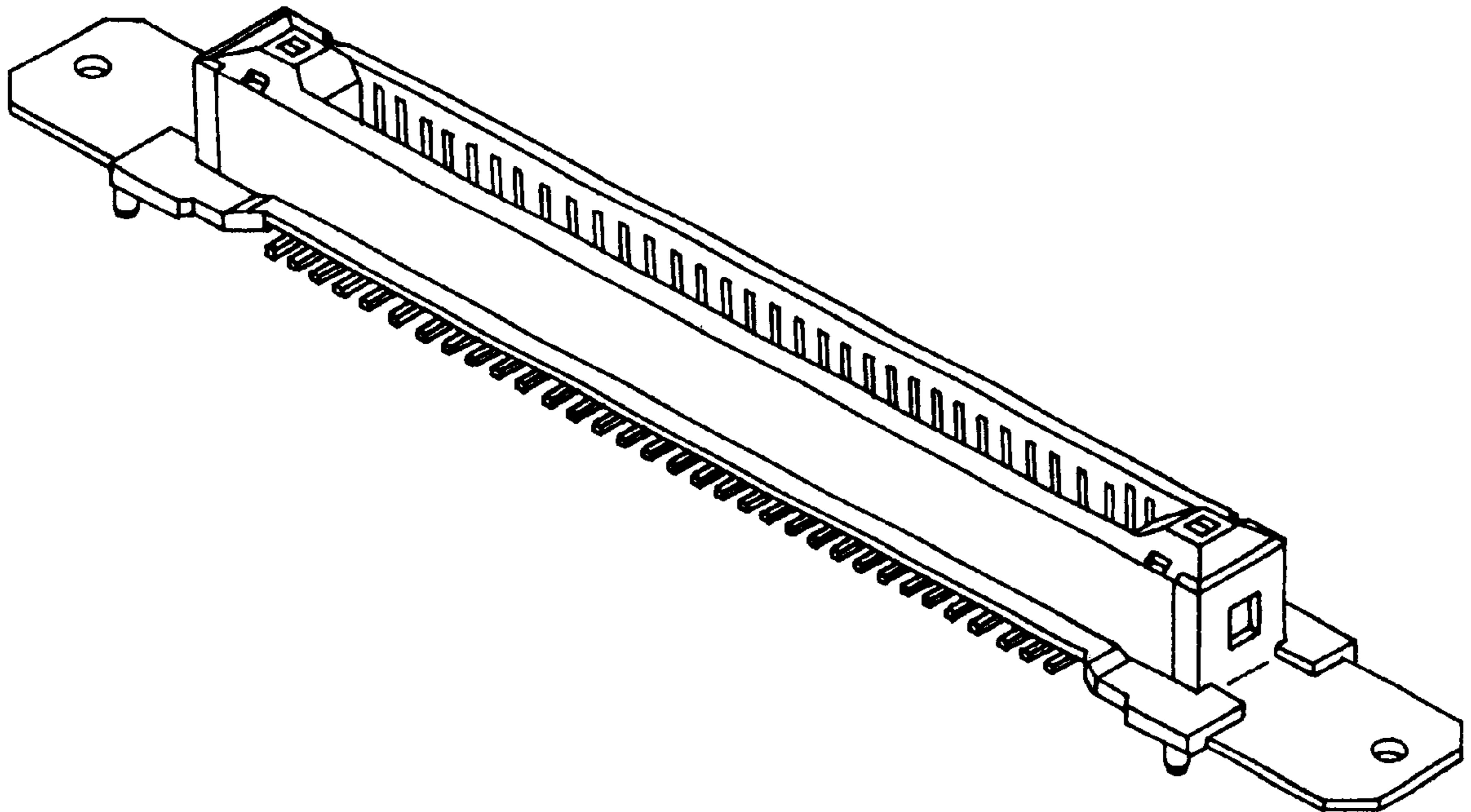


Fig. 1

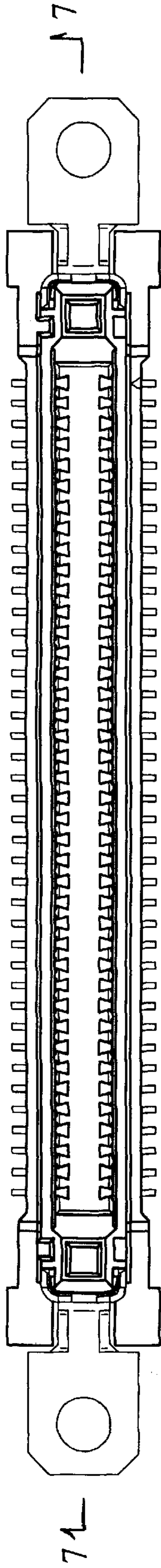


Fig. 2

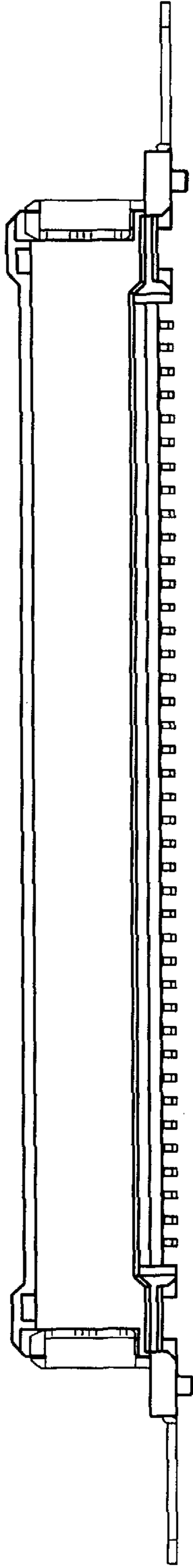
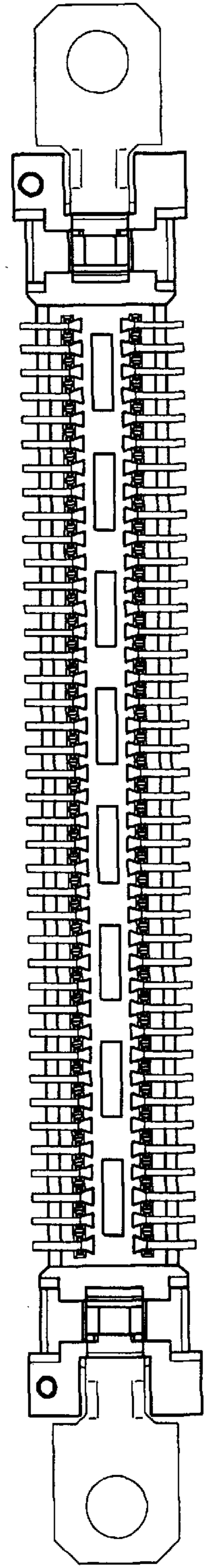


Fig. 3



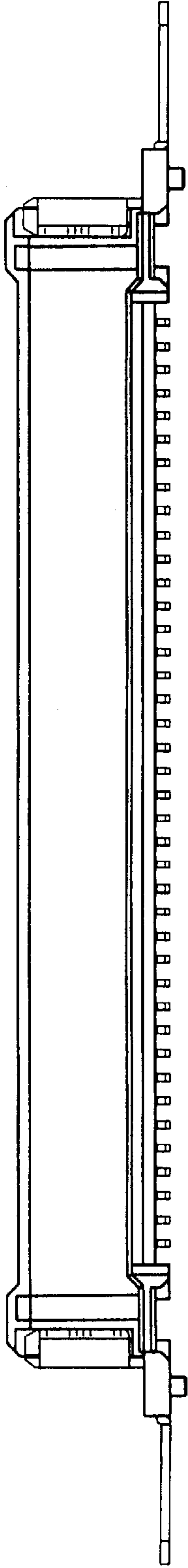


Fig. 4

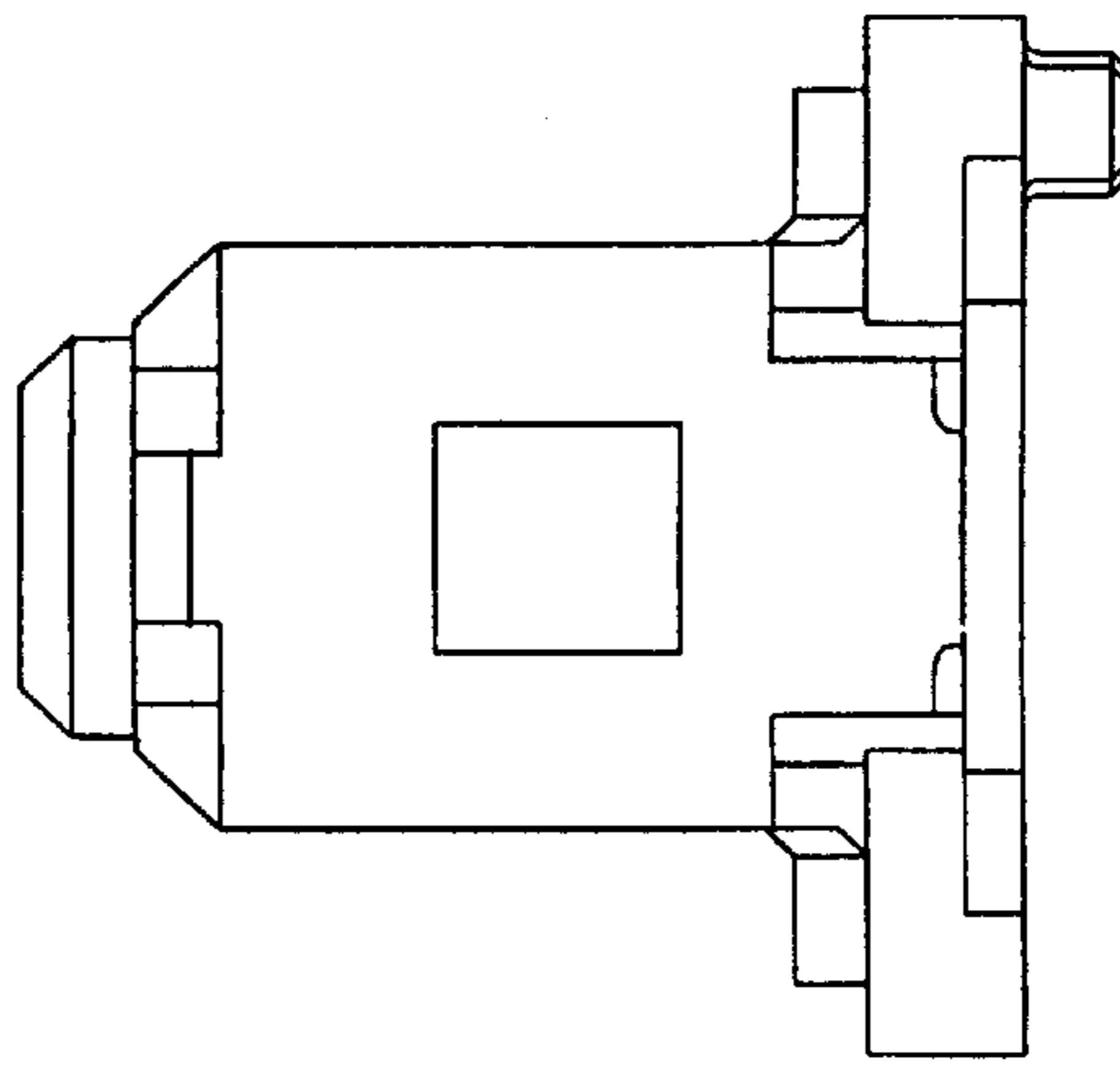


Fig. 5

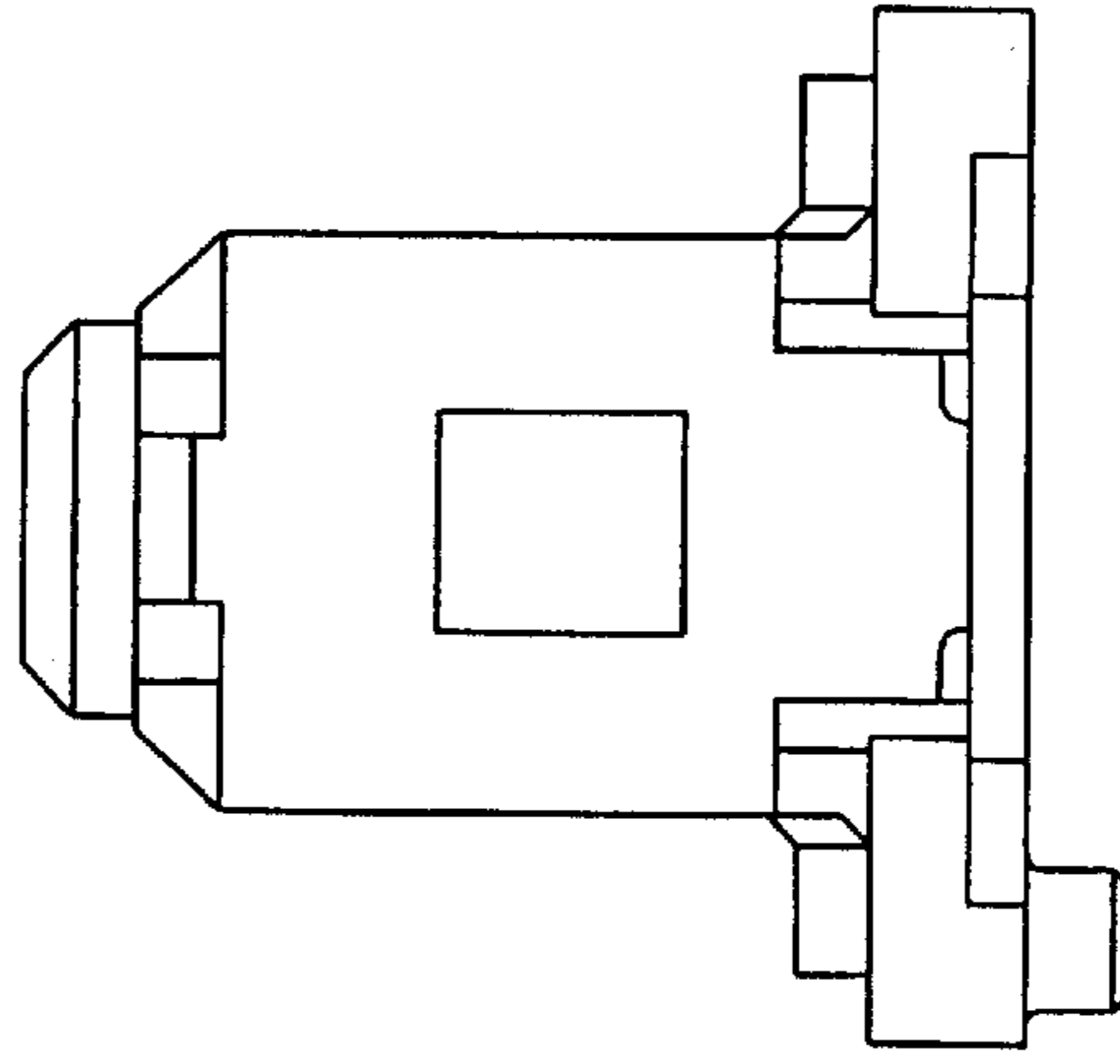


Fig. 6

Fig. 7

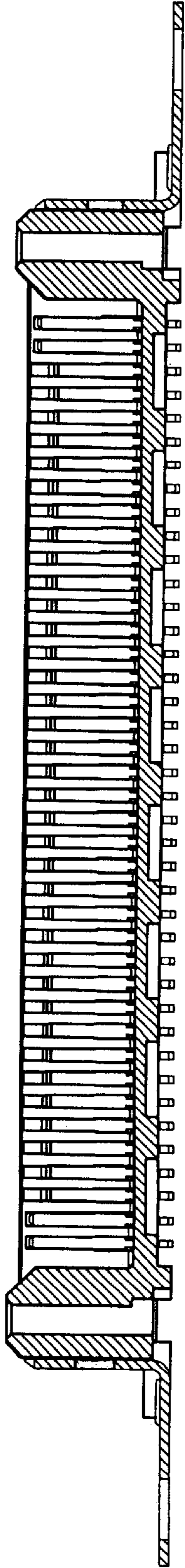
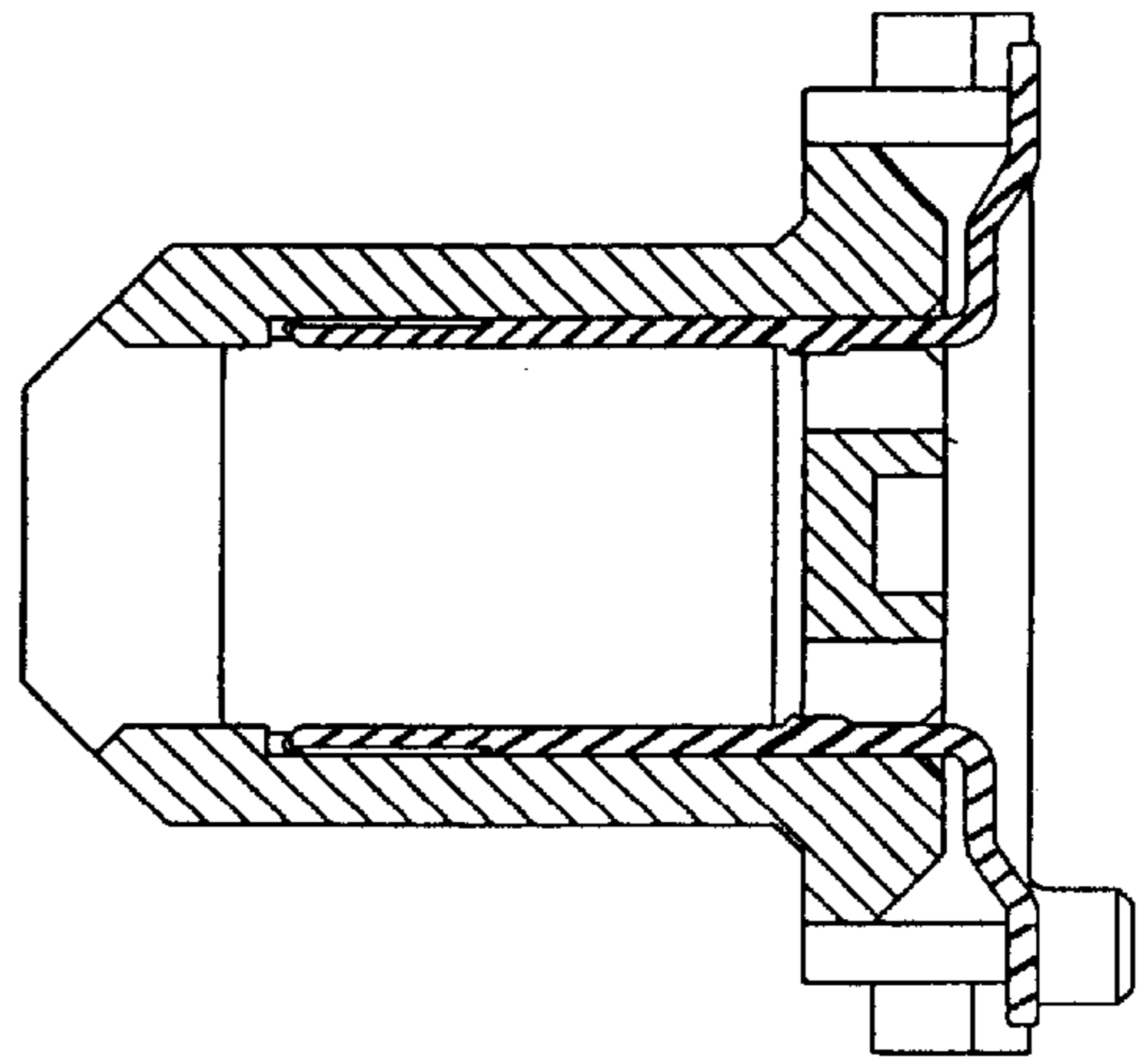


Fig. 8



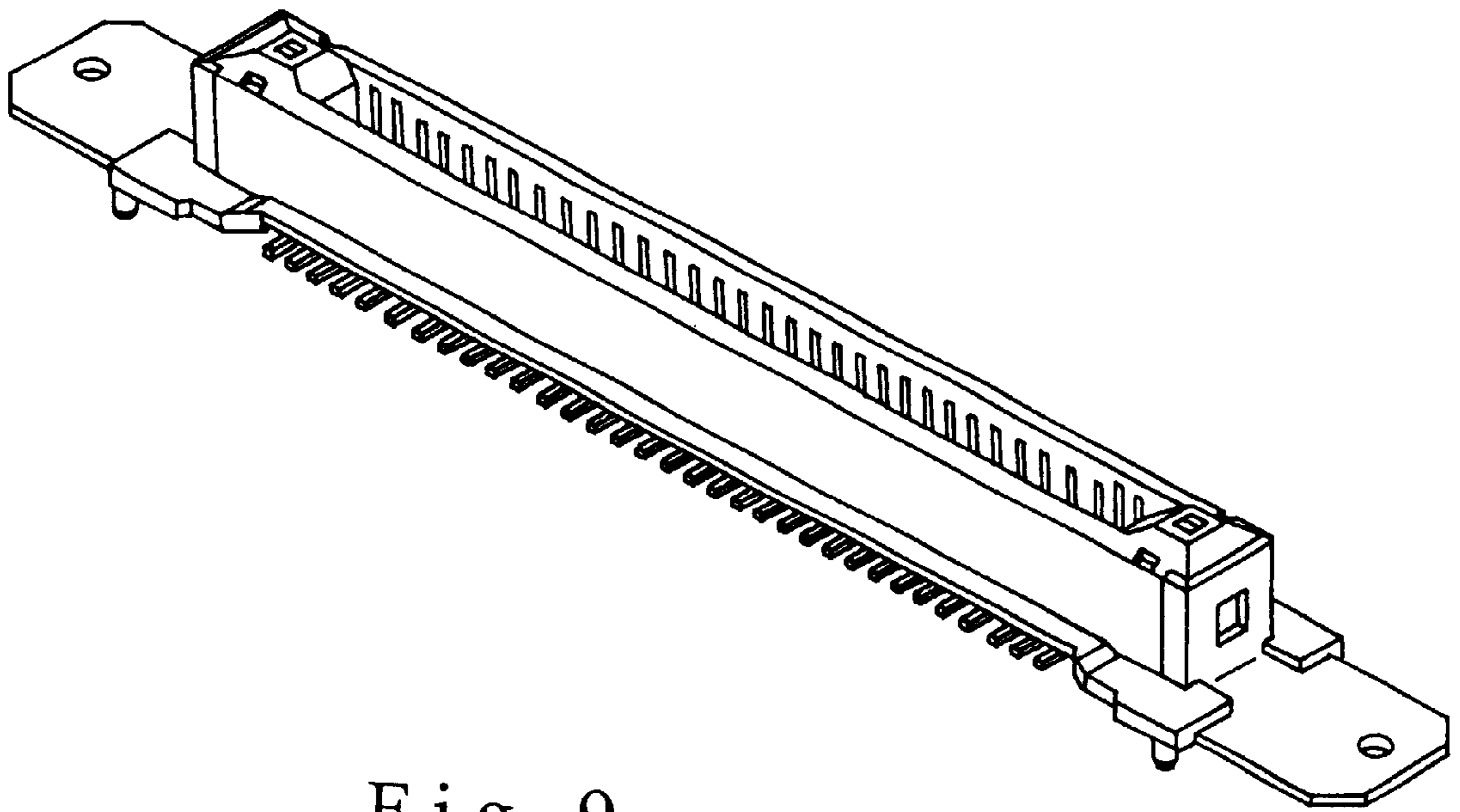


Fig. 9