



US00D453921S

(12) **United States Design Patent**
Bussett et al.

(10) **Patent No.:** **US D453,921 S**

(45) **Date of Patent:** **** Feb. 26, 2002**

(54) **INSTRUMENT CONNECTOR**

(75) Inventors: **Gary R. Bussett**, Vista; **Hans W. Reiss**, Encinitas, both of CA (US)

(73) Assignee: **Medserve Group, Inc.**, Vista, CA (US)

(**) Term: **14 Years**

(21) Appl. No.: **29/145,837**

(22) Filed: **Jul. 27, 2001**

(51) **LOC (7) Cl.** **13-03**

(52) **U.S. Cl.** **D13/133**; D13/133; 439/680;
439/660; 439/682; 439/252

(58) **Field of Search** D13/133; 439/680,
439/660, 682, 252; 600/372-382

(56) **References Cited**

U.S. PATENT DOCUMENTS

3,662,296	A	*	5/1972	Newman	439/135
3,824,524	A	*	7/1974	Glover	439/282
D253,409	S	*	11/1979	Voelkert	D13/133
D287,238	S	*	12/1986	Challans	D13/133
4,762,388	A	*	8/1988	Tanaka et al.	385/58
5,197,895	A	*	3/1993	Stupecky	439/194
5,509,822	A	*	4/1996	Negus et al.	439/502
D384,034	S	*	9/1997	Kuprewicz et al.	D13/133
5,967,817	A	*	10/1999	Greenstein	439/205
6,042,424	A	*	3/2000	LaCoy et al.	439/608
D422,558	S	*	4/2000	Reiss	D13/133
D434,377	S		11/2000	Bussett et al.	D13/133

* cited by examiner

Primary Examiner—Joel Sincavage

(74) *Attorney, Agent, or Firm*—Frank G. Morkunas

(57) **CLAIM**

We claim the ornamental design for the instrument connector, as shown and described.

DESCRIPTION

FIG. 1 is a perspective view from the top of an instrument connector showing our new design;

FIG. 2 is a perspective view thereof, as viewed from the bottom.

FIG. 3 is a front elevation view.

FIG. 4 is a plan view of the bottom.

FIG. 5 is a plan view of the top.

FIG. 6 is an elevation view of the right side; the left side thereof being the same.

FIG. 7 is a perspective view from the top of an instrument connector showing a second embodiment of our new design;

FIG. 8 is a perspective view, as viewed from the bottom, of the second embodiment of our new design;

FIG. 9 is a front elevation view of the second embodiment.

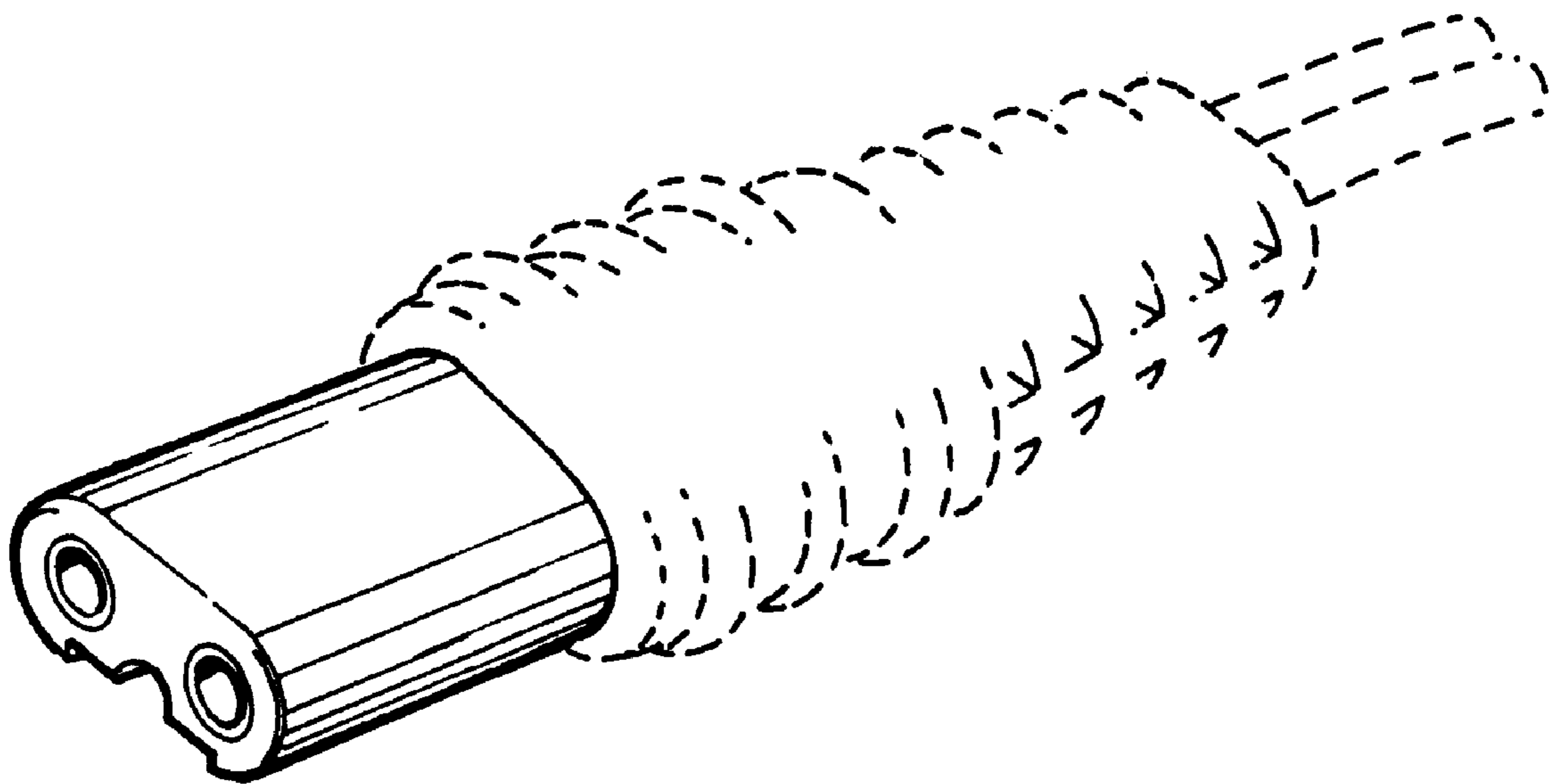
FIG. 10 is a plan view of the bottom of the second embodiment;

FIG. 11 is a plant view of the top of the second embodiment; and,

FIG. 12 is an elevation view of the right side of the second embodiment; the left side thereof being the same.

The broken lines showing the gripping portion, the strain reliever and cord are included for the purpose of illustrating portions of the connector that form no part of the claimed design.

1 Claim, 2 Drawing Sheets



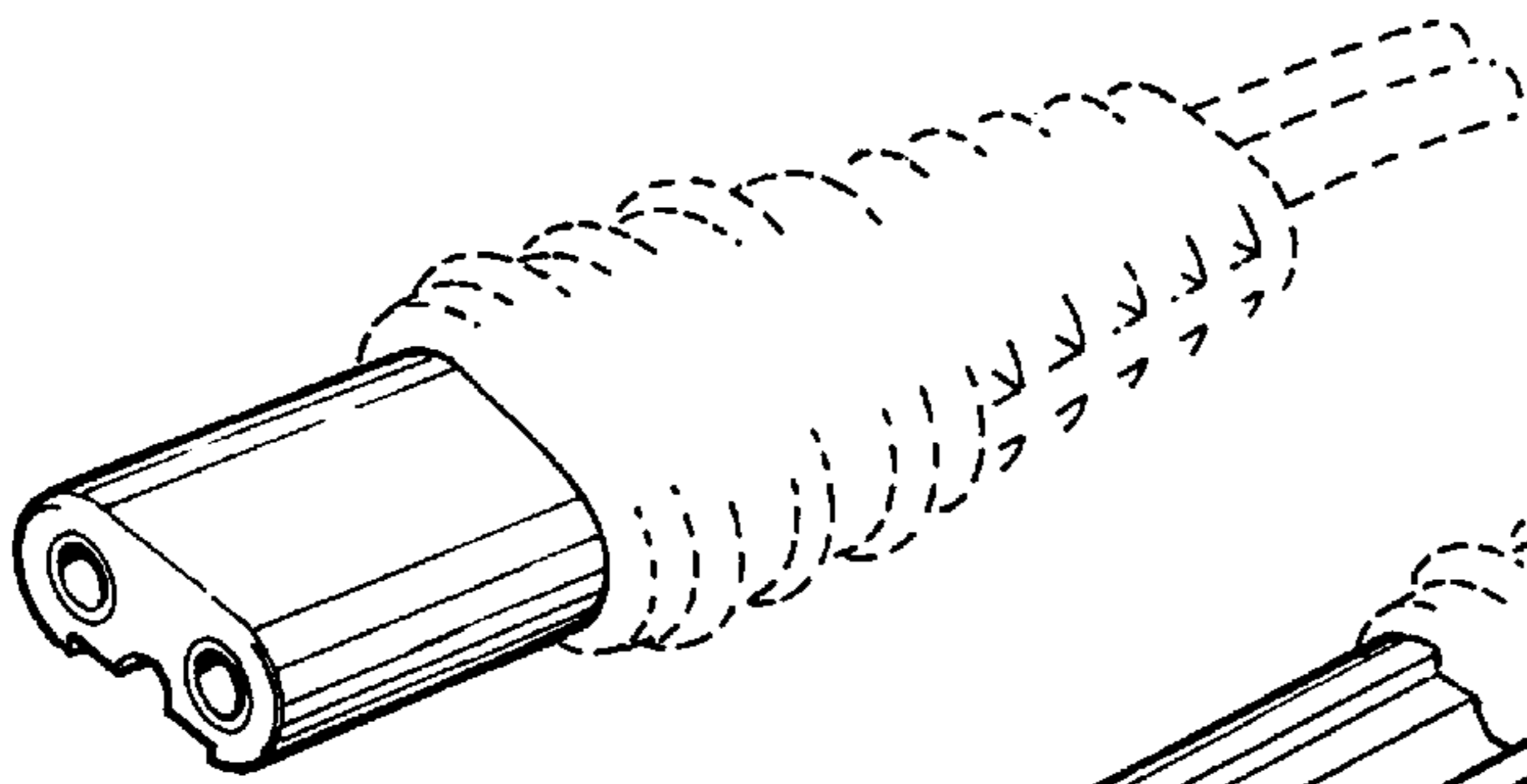


FIG. 1

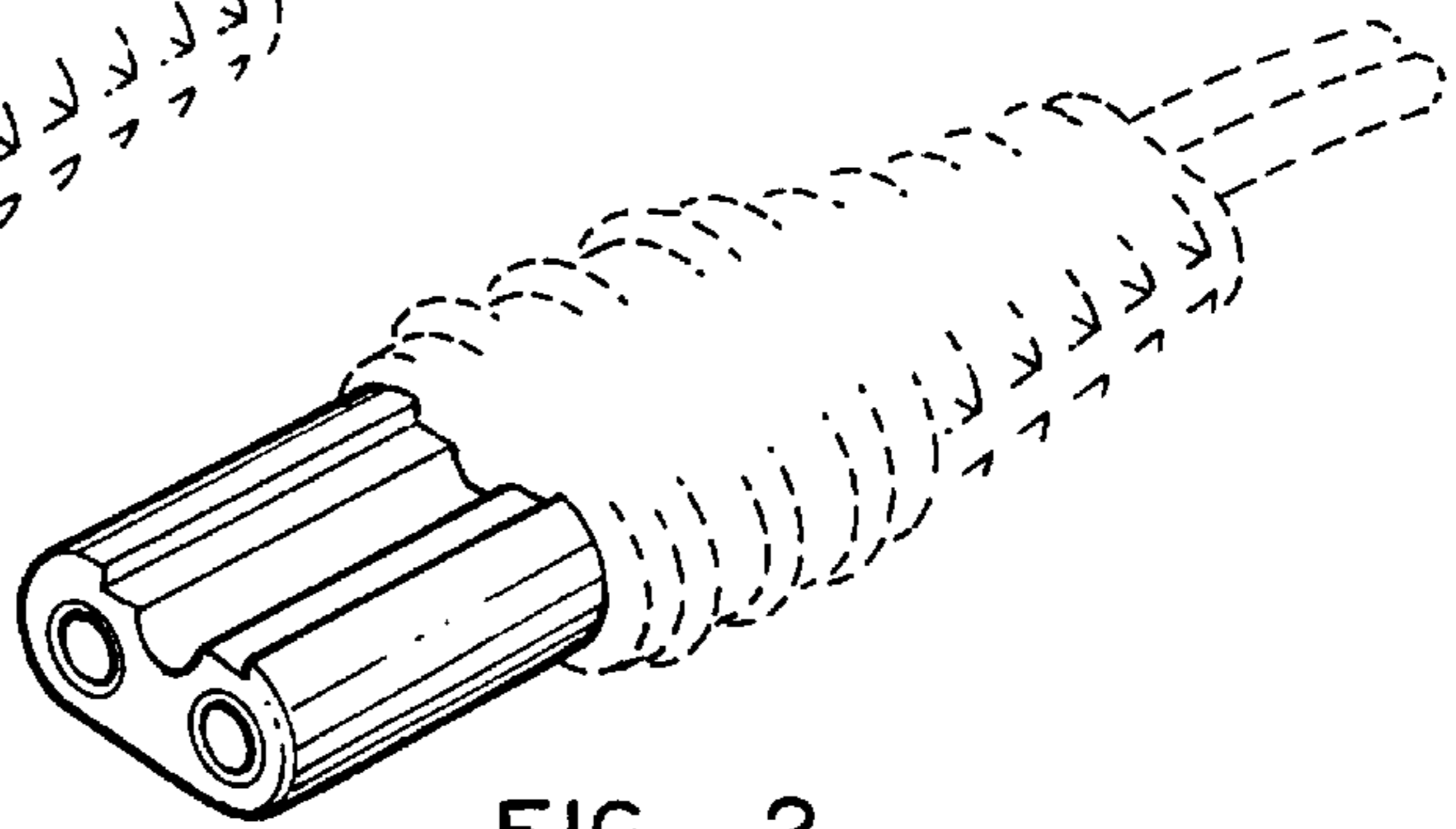


FIG. 2

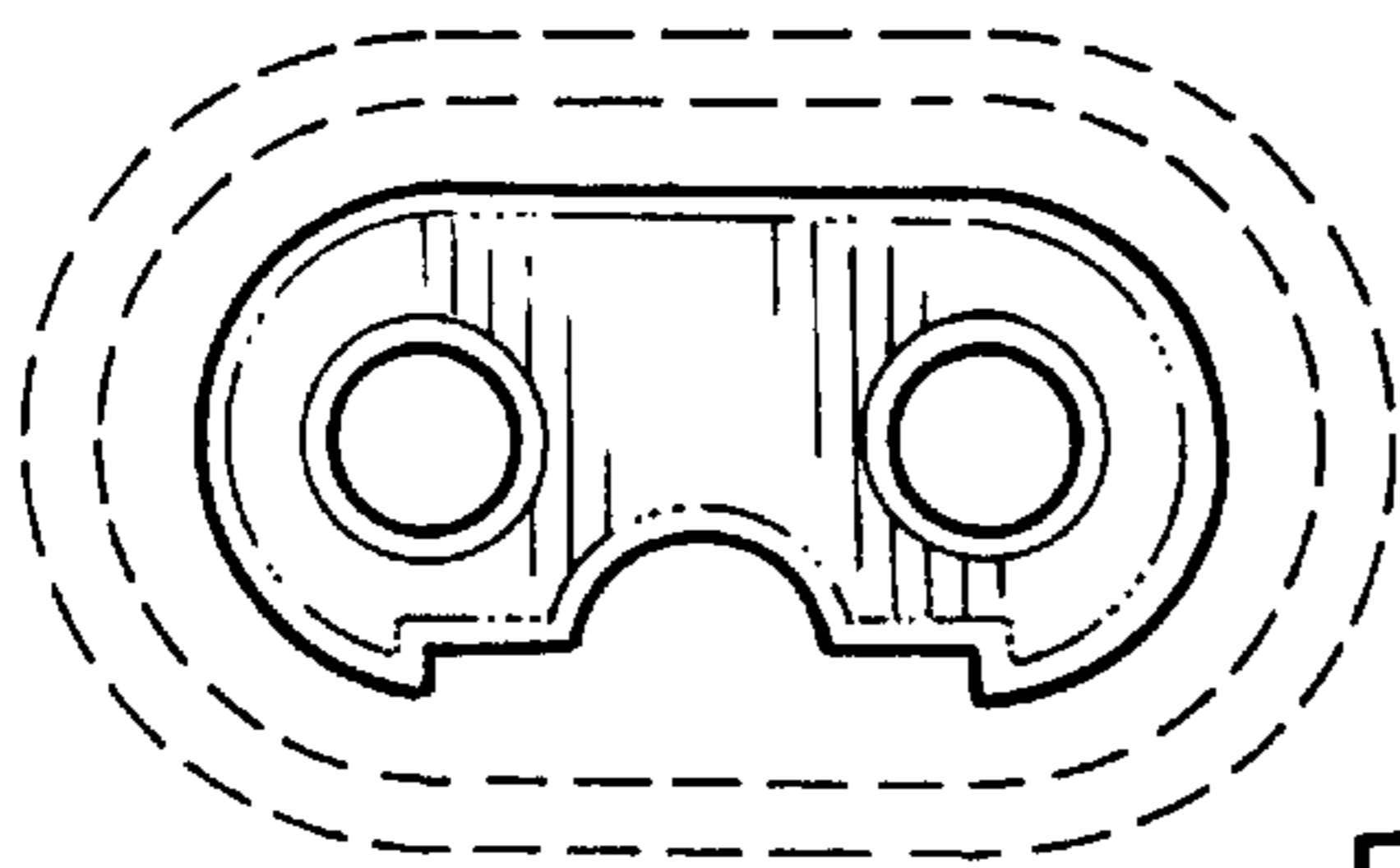


FIG. 3

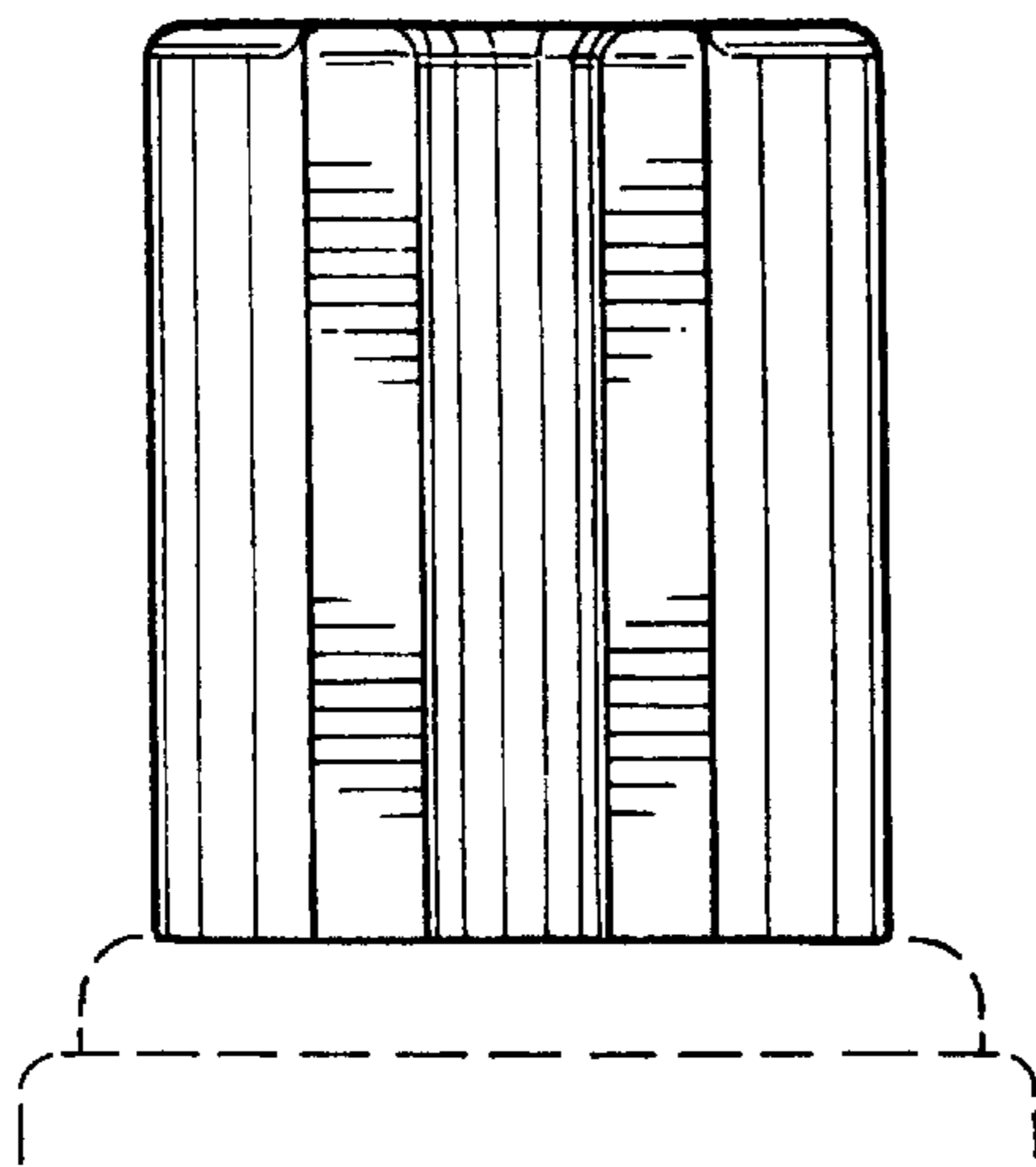


FIG. 4

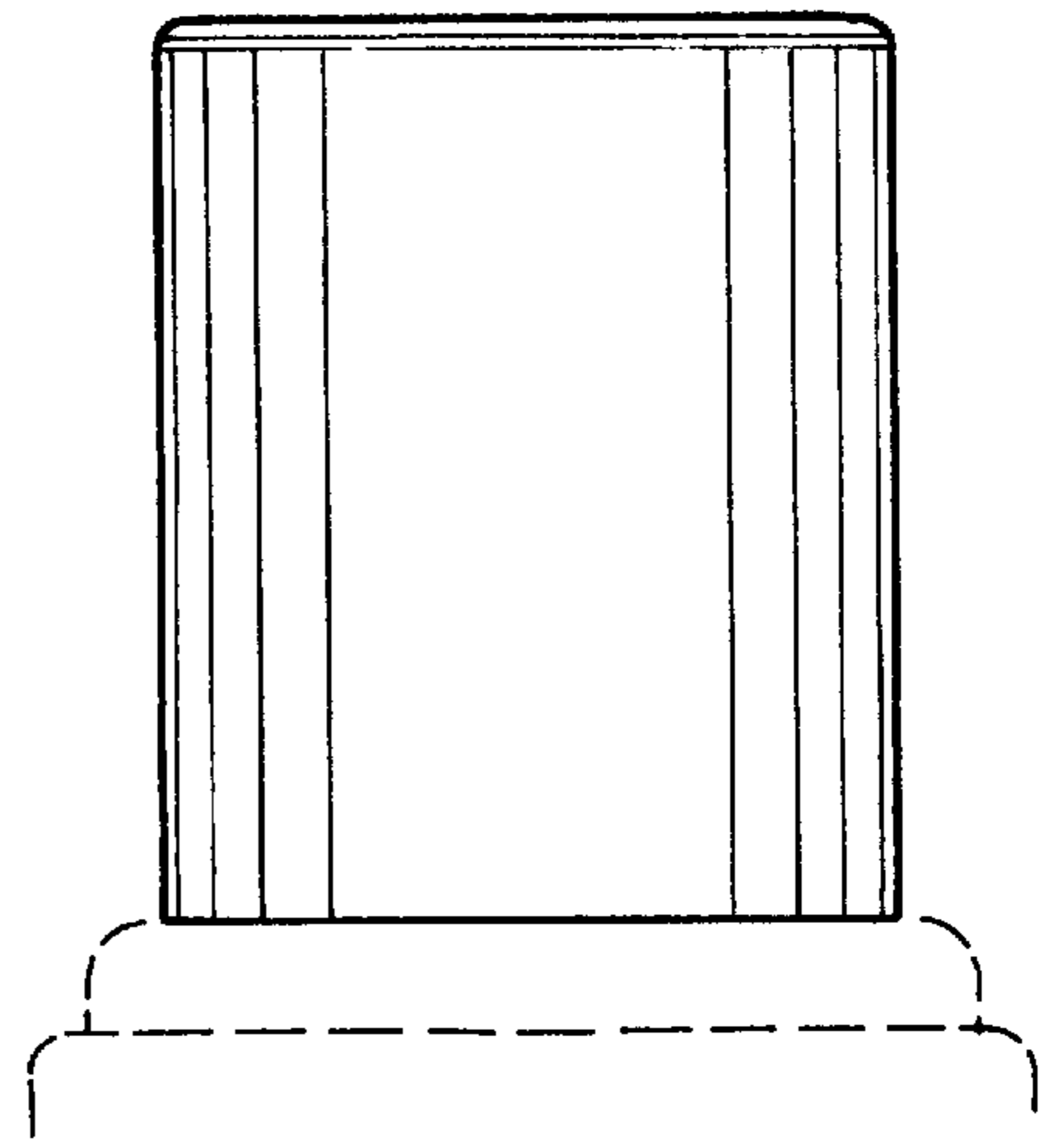


FIG. 5

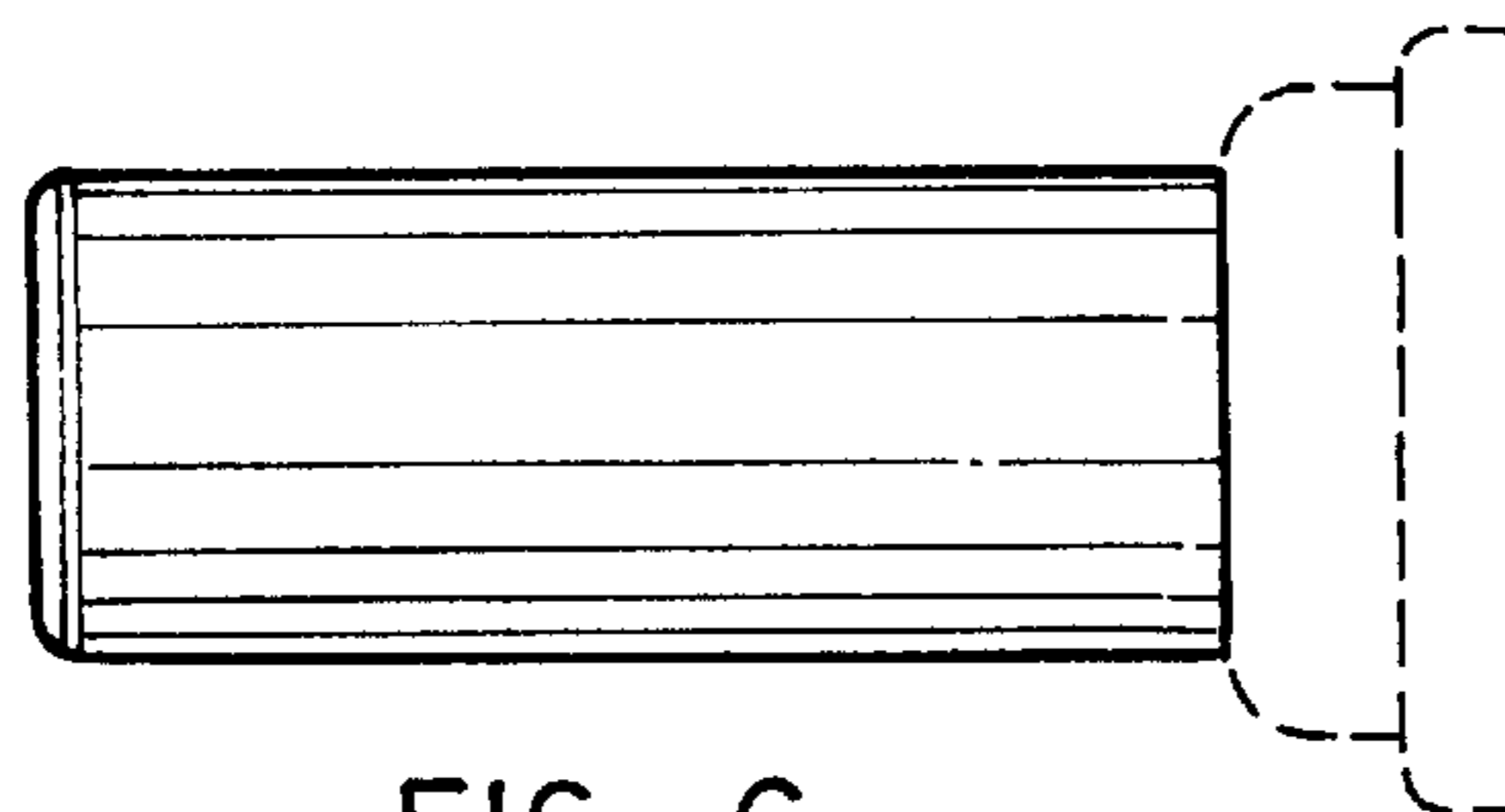


FIG. 6

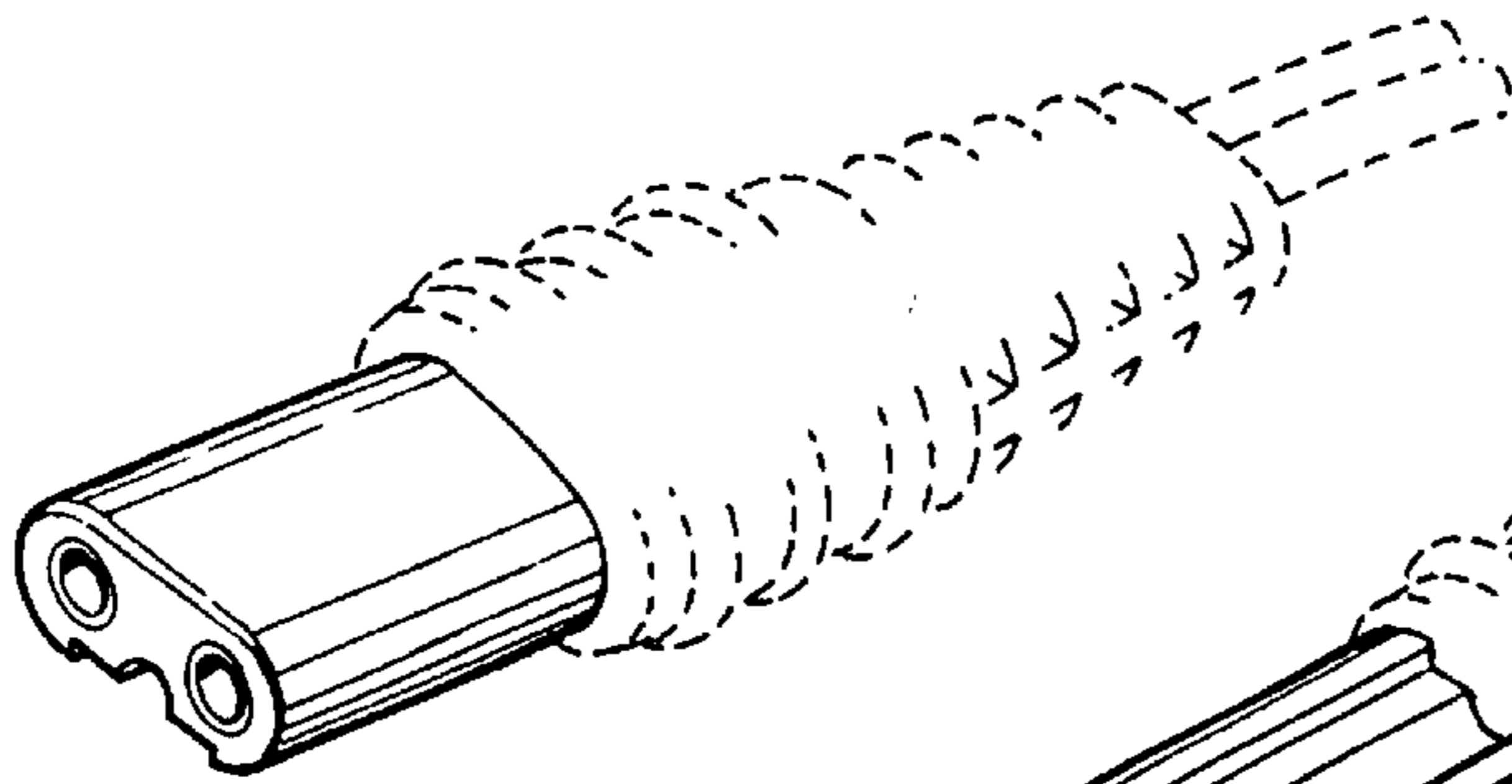


FIG. 7

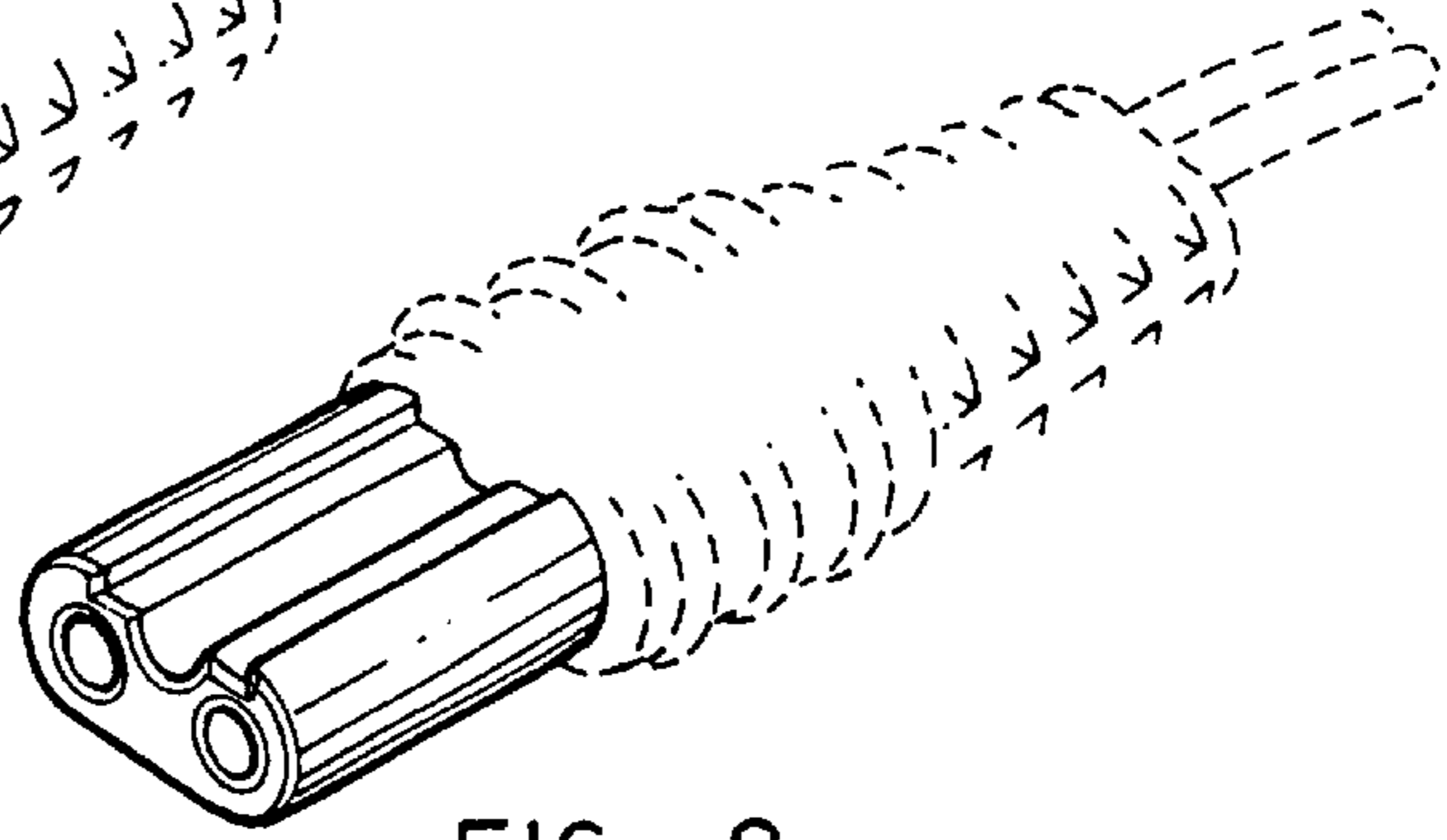


FIG. 8

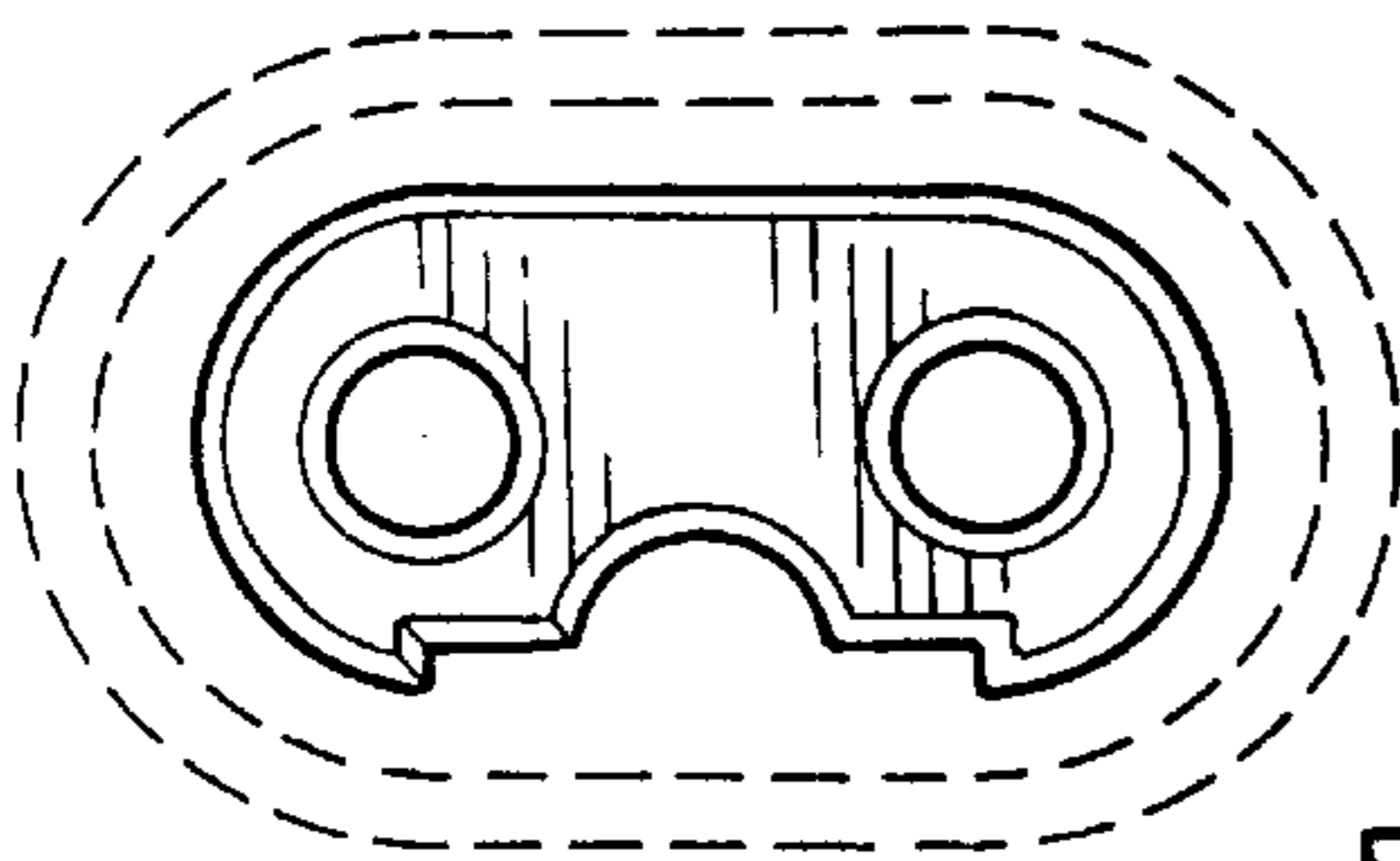


FIG. 9

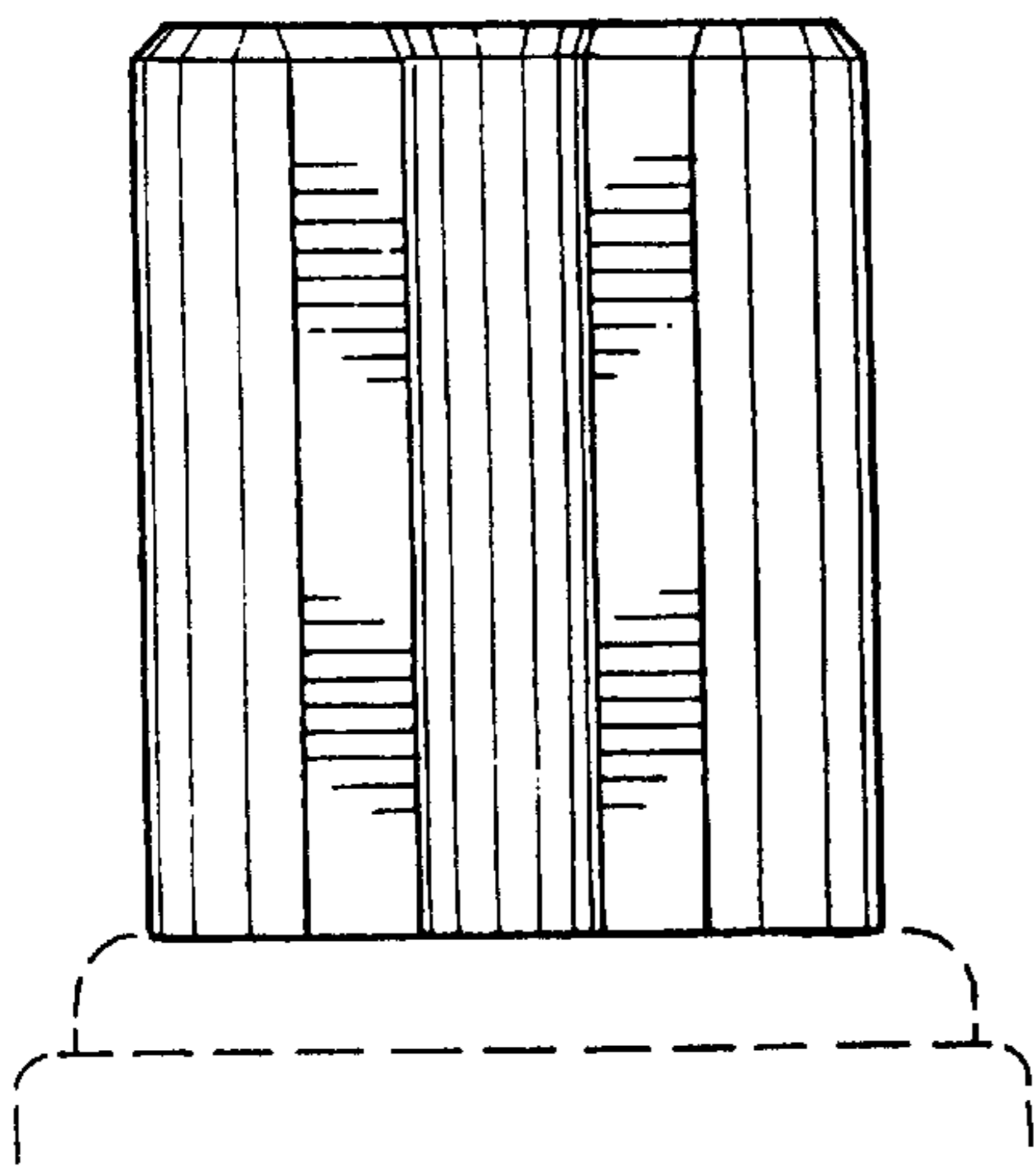


FIG. 10

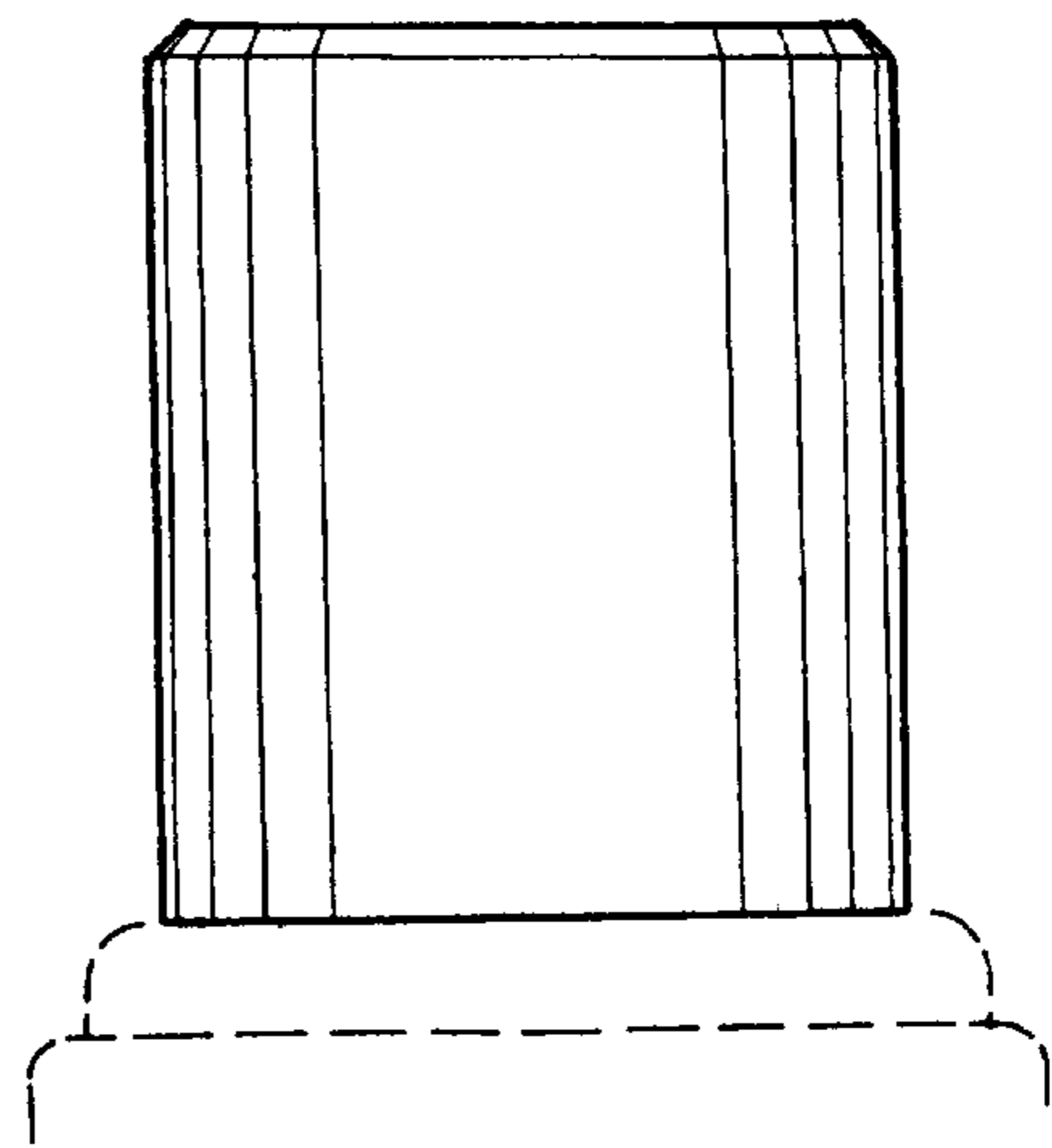


FIG. 11

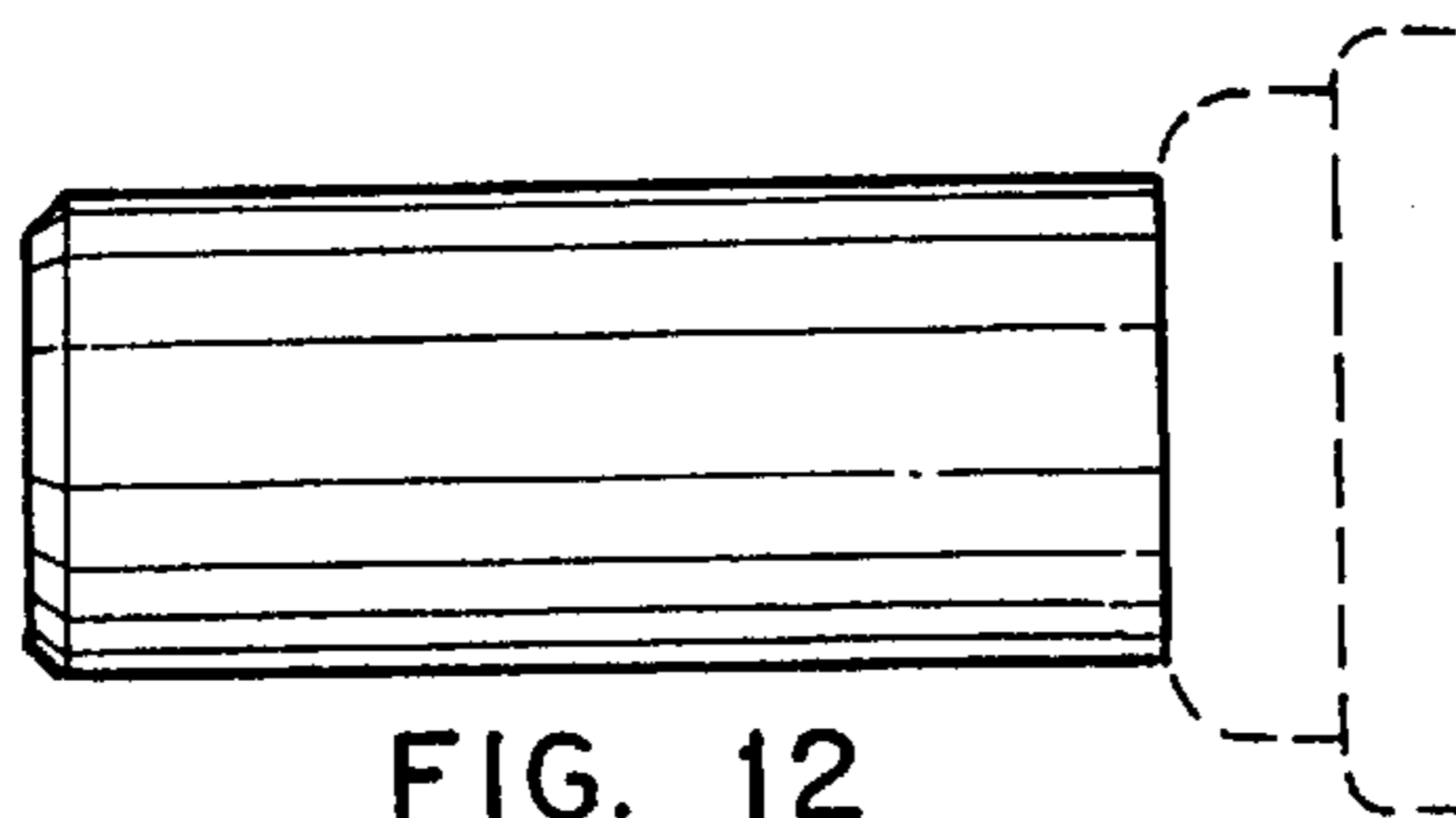


FIG. 12