



US00D453918S

(12) **United States Design Patent**  
**Senese et al.**

(10) **Patent No.:** **US D453,918 S**

(45) **Date of Patent:** **\*\* Feb. 26, 2002**

(54) **VEHICLE RADIATOR COVER**

(76) Inventors: **Frank Senese**, 4558 N. Newland; **Nick Senese**, 4553 N. Sayre, both of Harwood, IL (US) 60656

(\*\*) Term: **14 Years**

(21) Appl. No.: **29/113,486**

(22) Filed: **Nov. 5, 1999**

(51) **LOC (7) Cl.** ..... **12-16**

(52) **U.S. Cl.** ..... **D12/400**

(58) **Field of Search** ..... D12/400, 216,  
D12/181, 166, 171, 190; 296/95.1; 293/144;  
180/68.6

(56) **References Cited**

**U.S. PATENT DOCUMENTS**

D57,736 S	*	4/1921	Sizaire	.....	D12/166
1,755,370 A	*	4/1930	Smith	.....	180/68.6
1,816,373 A	*	7/1931	Higgins	.....	180/68.6
1,979,817 A		11/1934	Anderson		
D101,669 S	*	10/1936	Glassberg	.....	D12/216
2,067,639 A	*	1/1937	Lett	.....	180/68.6
2,127,931 A	*	8/1938	Osten	.....	180/68.6
D204,045 S		3/1966	Sand		
4,420,058 A		12/1983	Sato et al.		
D300,918 S	*	5/1989	Turner	.....	D12/181

D308,418 S		6/1990	Lane		
5,195,646 A		3/1993	Robinson		
D336,884 S	*	6/1993	Scheele et al.	.....	D12/181
5,570,804 A		11/1996	Chang et al.		

\* cited by examiner

*Primary Examiner*—Doris V. Coles  
*Assistant Examiner*—T. Chase Nelson

(57) **CLAIM**

The ornamental design for a vehicle radiator cover, as shown and described.

**DESCRIPTION**

FIG. 1 is a top plan view of the vehicle radiator cover of the present invention;  
FIG. 2 is a front elevational view of the vehicle radiator cover of FIG. 1;  
FIG. 3 is a rear elevational view of the vehicle radiator cover of FIG. 1;  
FIG. 4 is a bottom plan view of the vehicle radiator cover of FIG. 1; and,  
FIG. 5 is a left side elevational view of the vehicle radiator cover of FIG. 1, the right view being a mirror image thereof. The vehicle radiator cover is shown broken away in FIGS. 1, 2, 3, and 4 to indicate indeterminate length.

**1 Claim, 2 Drawing Sheets**

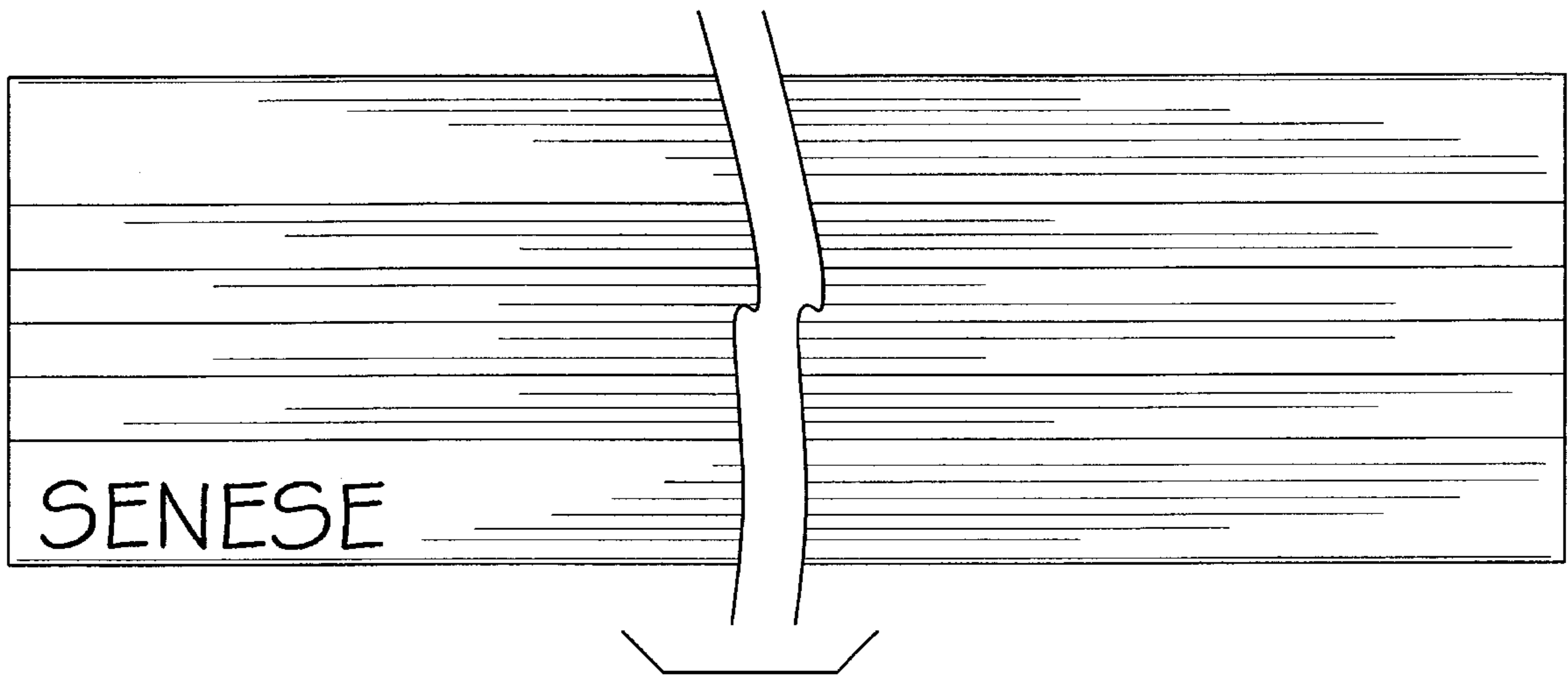


FIG. 1

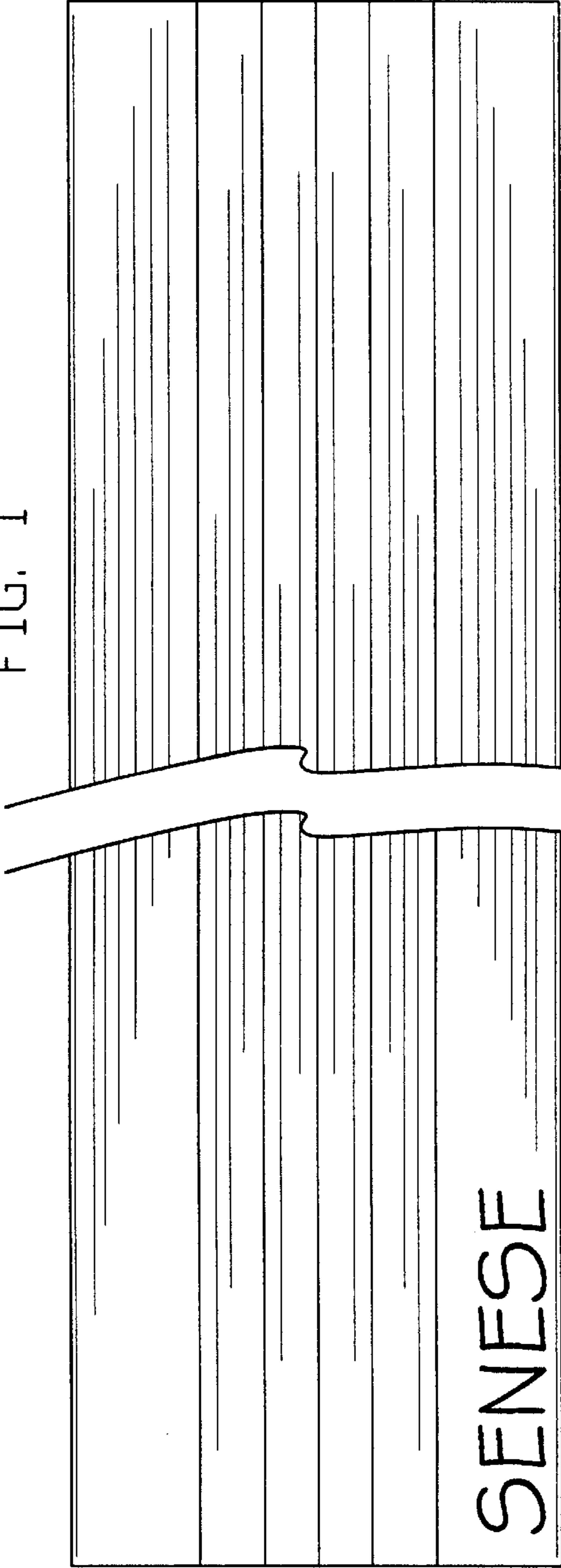


FIG. 2

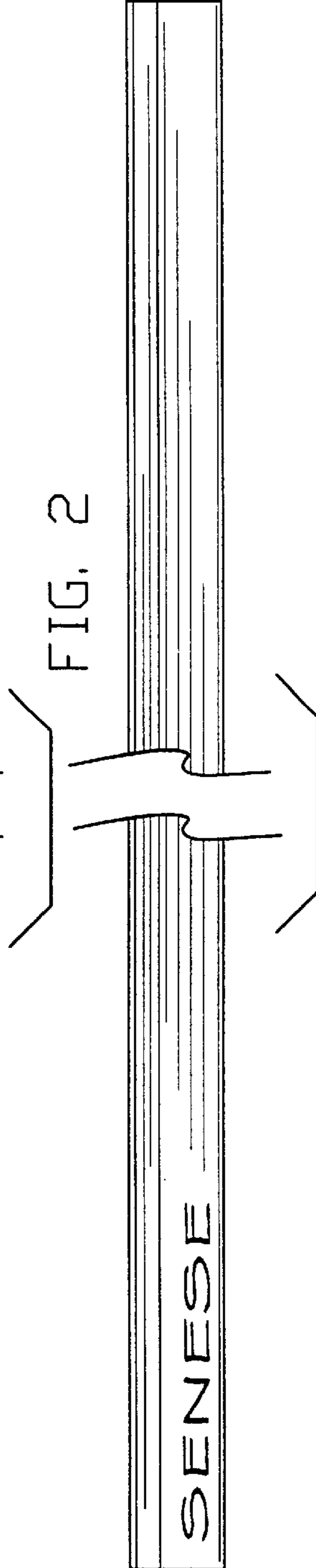


FIG. 3

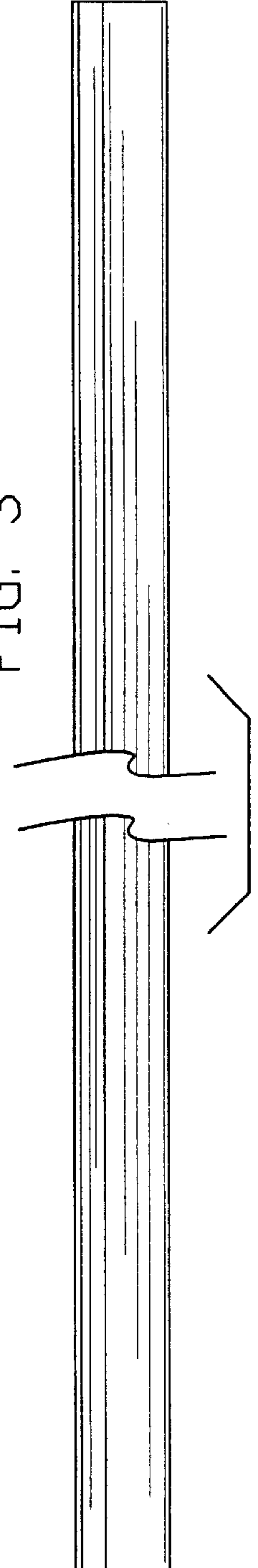


FIG. 4

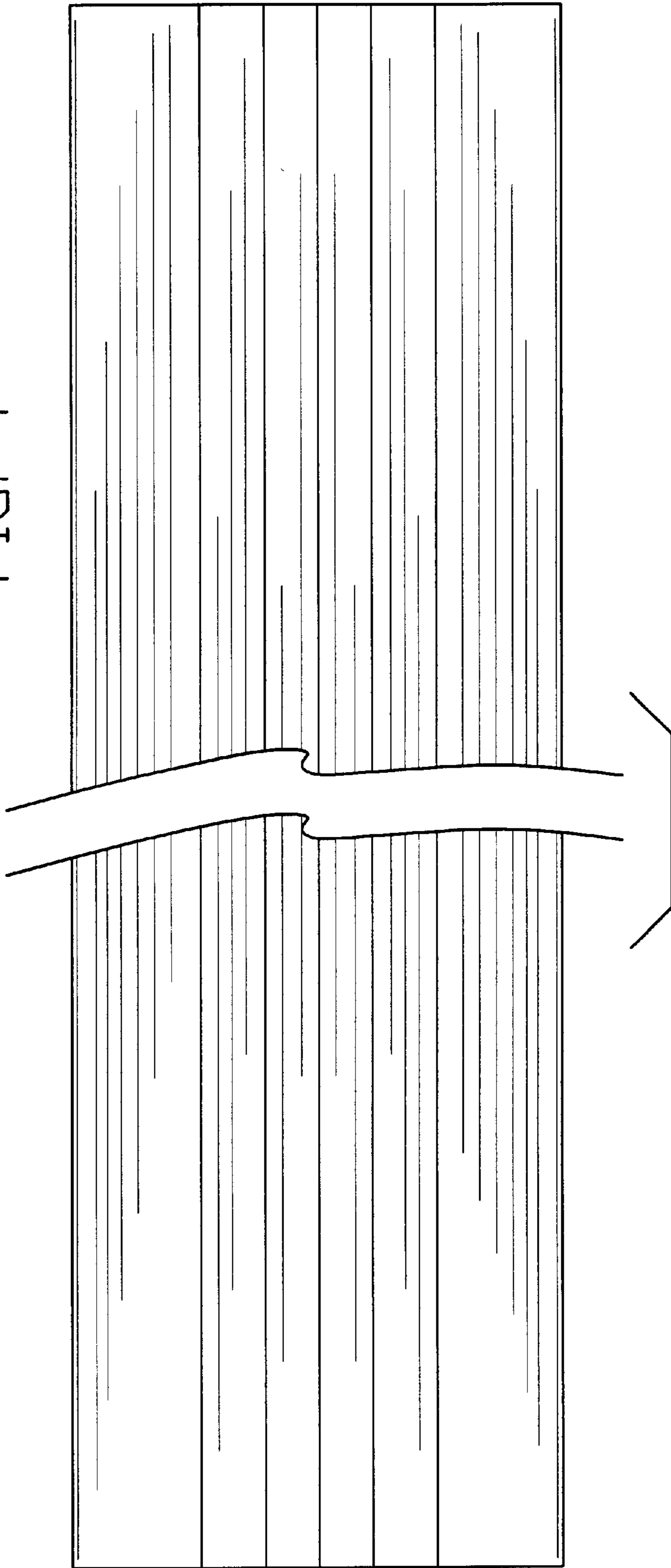


FIG. 5

