



US00D453917S

(12) **United States Design Patent**
Sehgal

(10) **Patent No.:** **US D453,917 S**

(45) **Date of Patent:** **** Feb. 26, 2002**

(54) **PITCH CHANGE ADAPTER FOR A
HELICOPTER MAIN ROTOR SYSTEM**

D256,909 S * 9/1980 Lebin et al. D12/345
D419,518 S * 1/2000 Harrison D12/345

(75) Inventor: **Ajay Sehgal**, Bedford, TX (US)

* cited by examiner

(73) Assignee: **Bell Helicopter Textron, Inc.**, Fort
Worth, TX (US)

Primary Examiner—Marcus A. Jackson
(74) *Attorney, Agent, or Firm*—James E. Walton; Hill &
Hunn, LLP

(**) Term: **14 Years**

(57) **CLAIM**

(21) Appl. No.: **29/123,770**

The ornamental design for a pitch change adapter for a
helicopter main rotor system, as shown and described.

(22) Filed: **May 24, 2000**

DESCRIPTION

(51) **LOC (7) Cl.** **12-07**

(52) **U.S. Cl.** **D12/345**

(58) **Field of Search** D12/214-345;
440/47, 66; 114/162, 166; 244/137 R

FIG. 1 is a prospective view.

FIG. 2 is a front view.

FIG. 3 is a right side view.

FIG. 4 is a top view.

FIG. 5 is a left-side view.

FIG. 6 is a rear view; and,

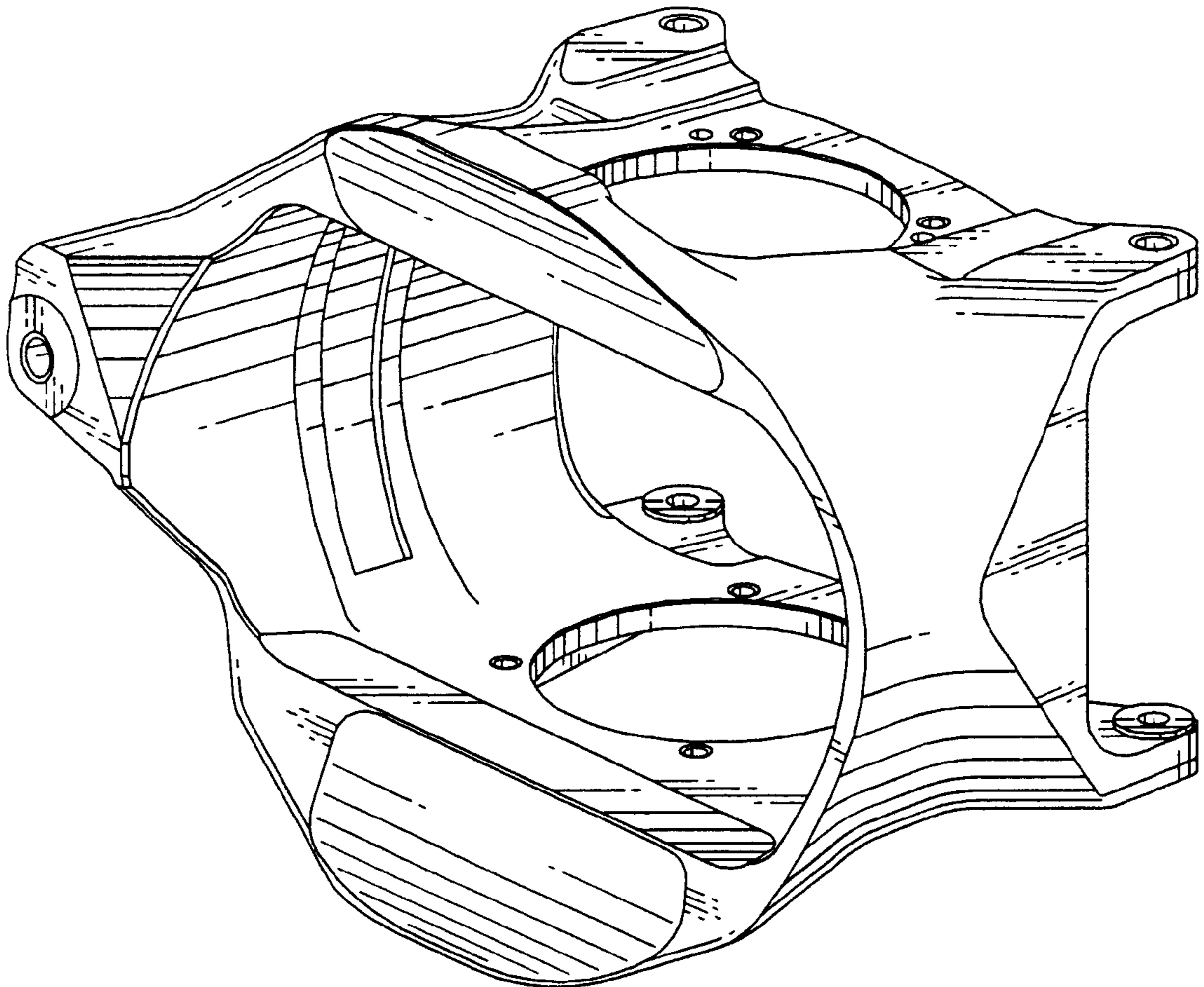
FIG. 7 is a bottom view.

(56) **References Cited**

U.S. PATENT DOCUMENTS

D240,810 S * 8/1976 Meyerhoff et al. D12/345

1 Claim, 4 Drawing Sheets



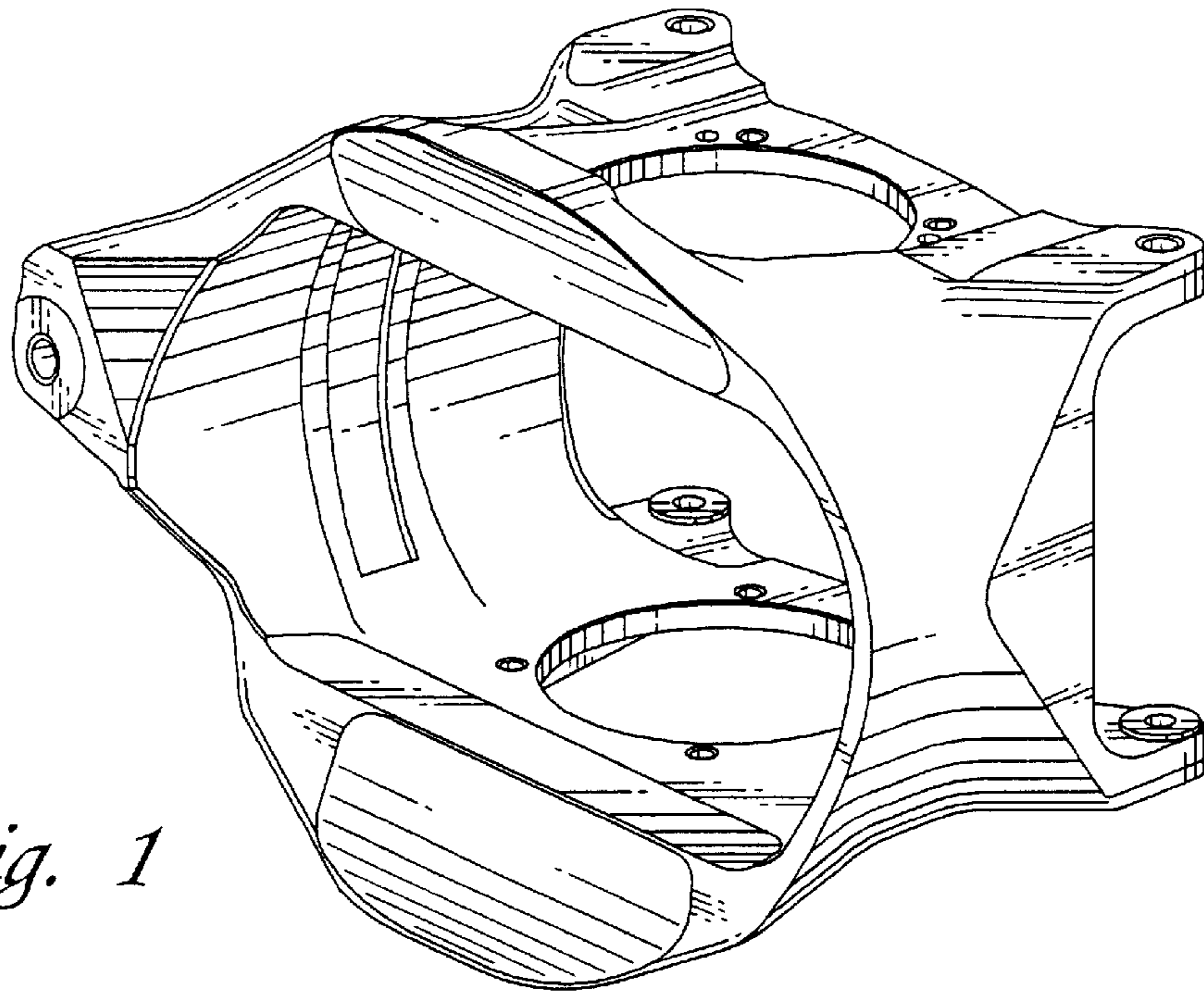


Fig. 1

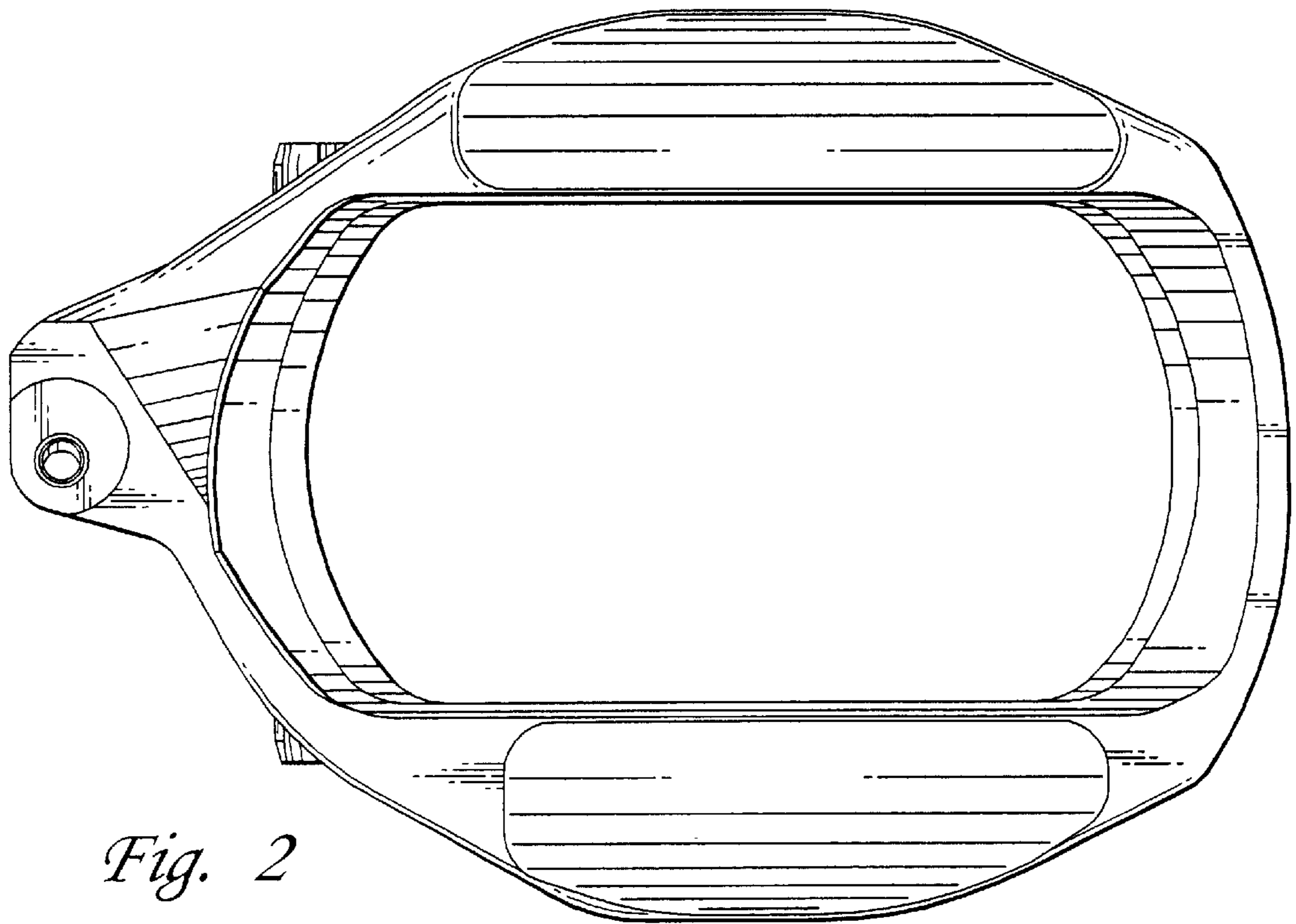


Fig. 2

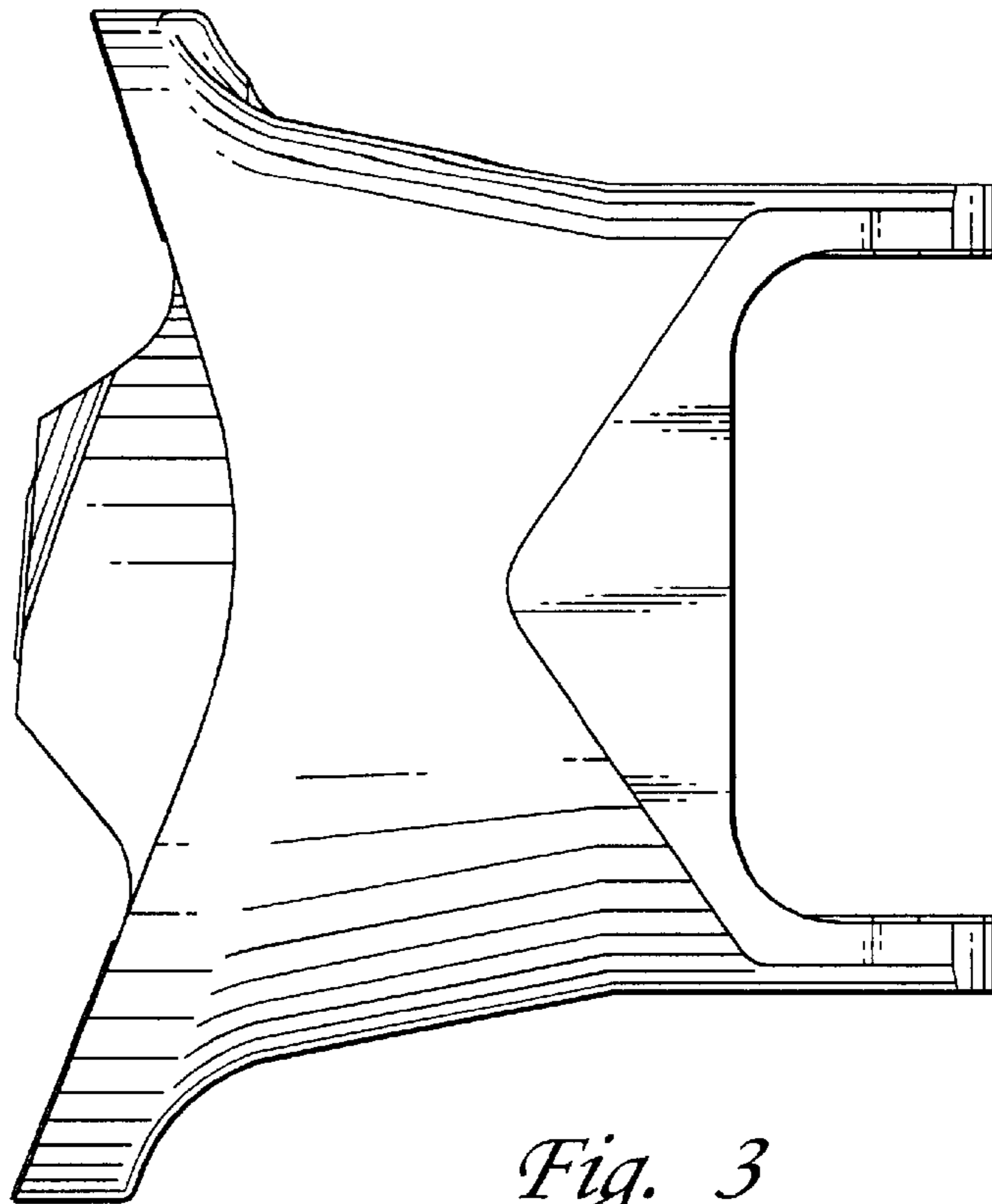


Fig. 3

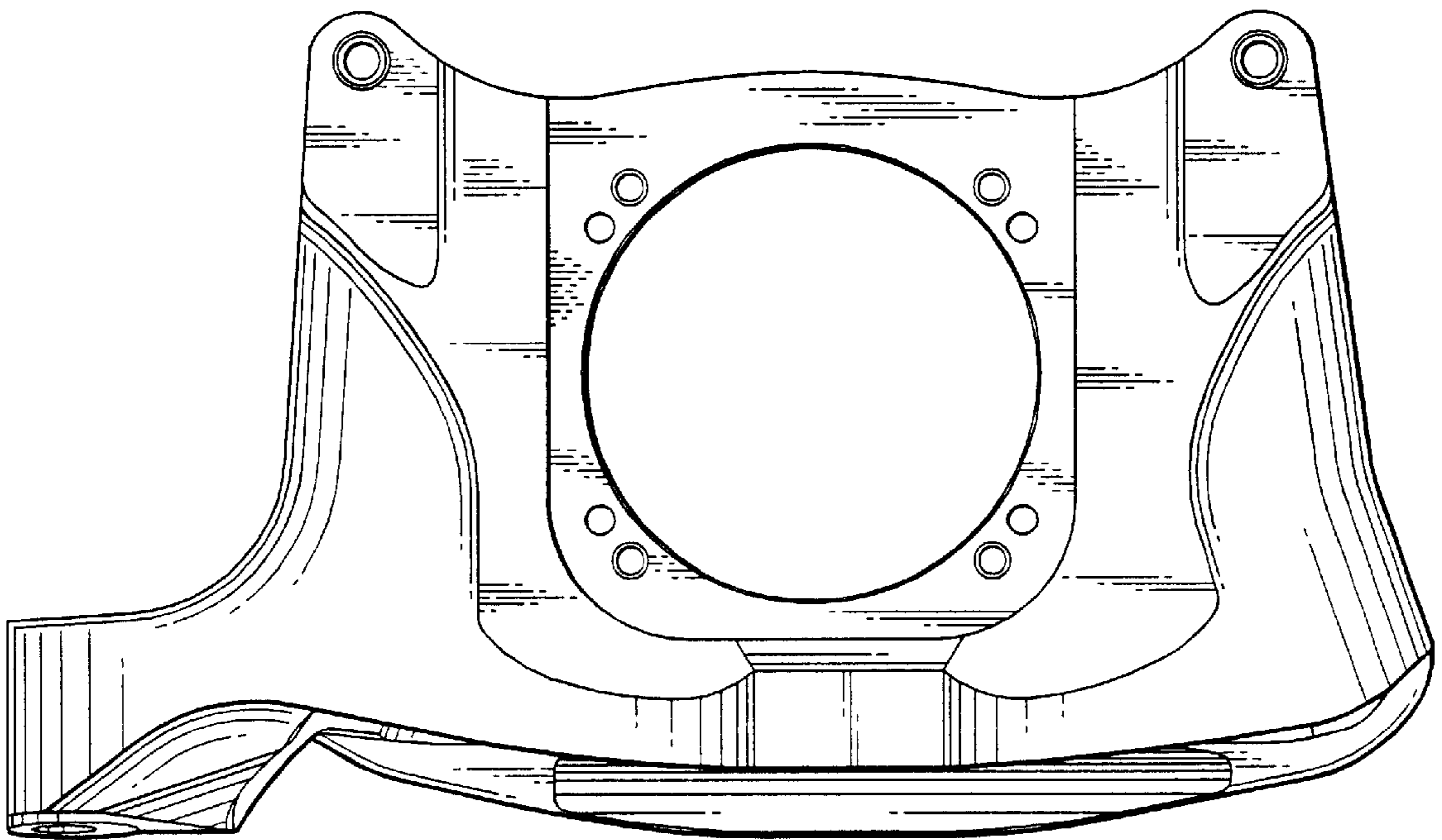


Fig. 4

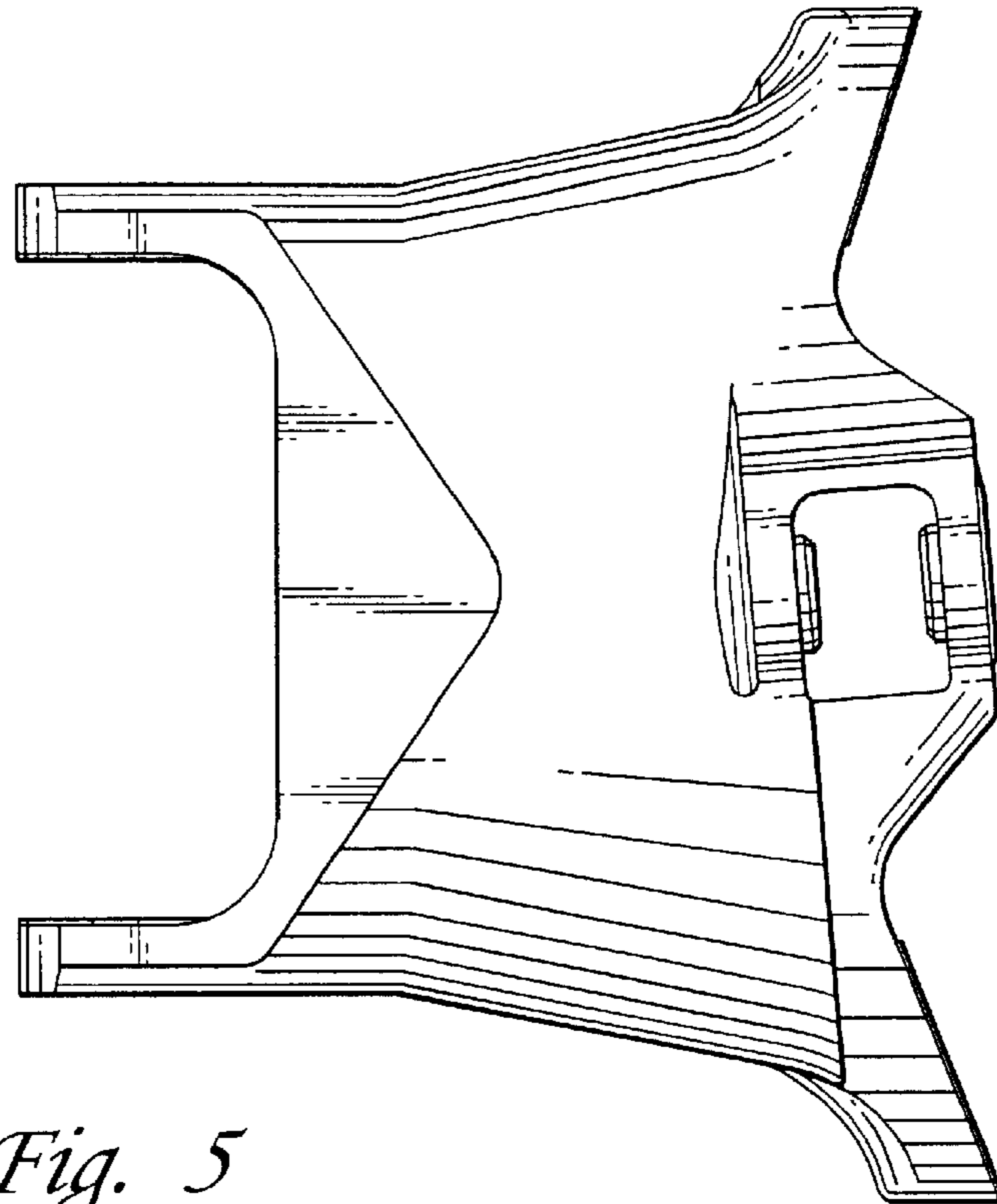


Fig. 5

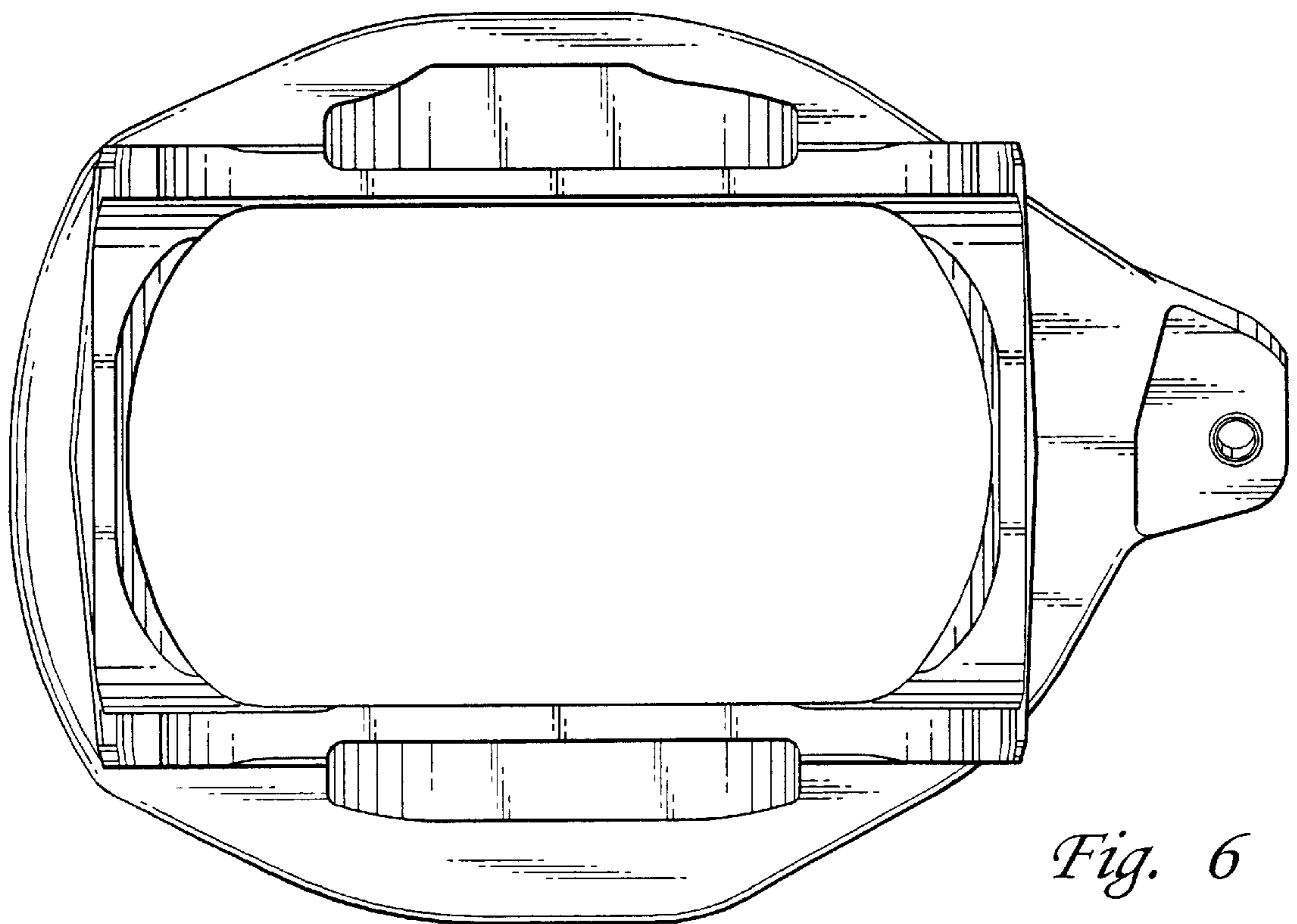


Fig. 6

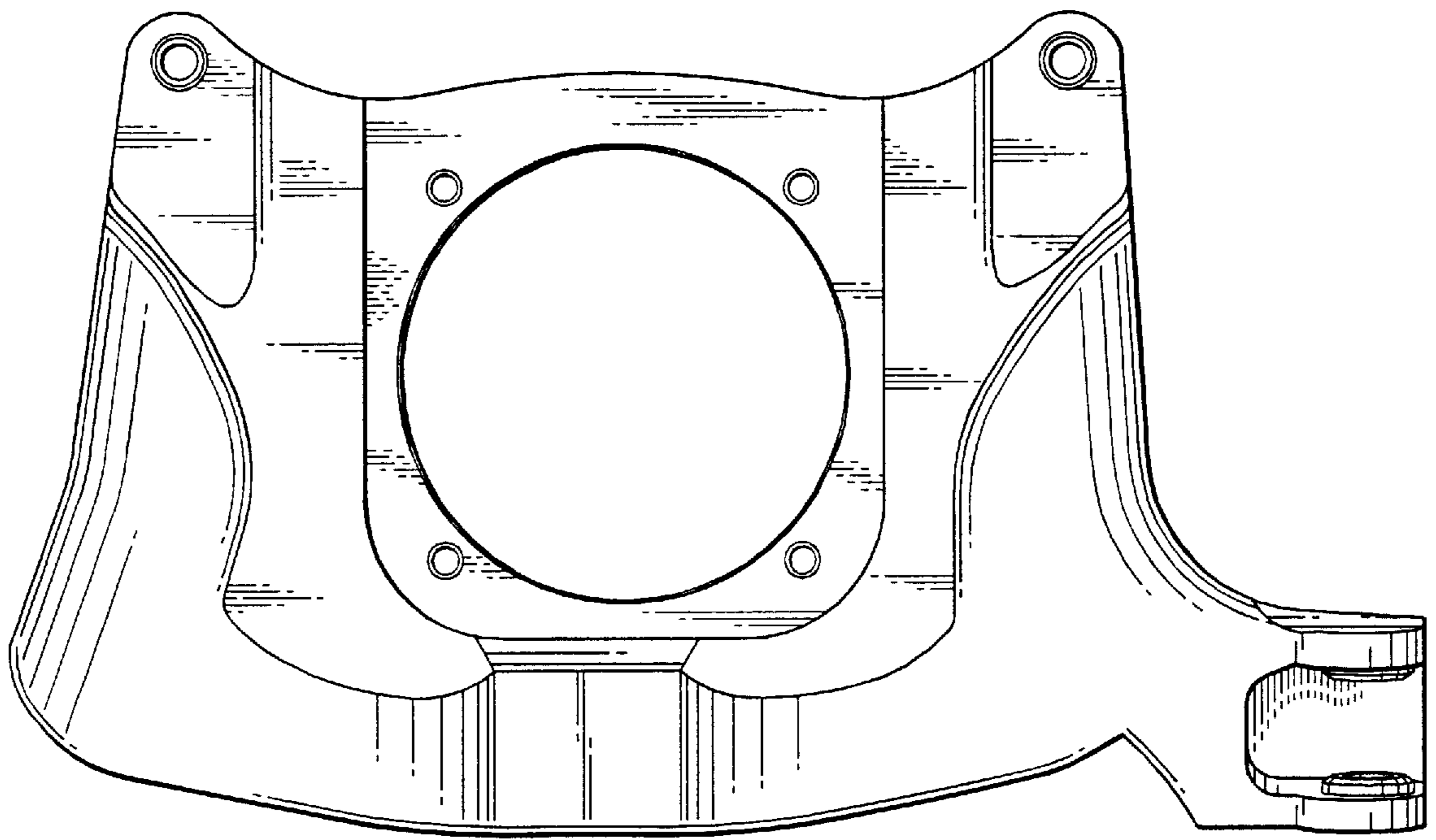


Fig. 7

UNITED STATES PATENT AND TRADEMARK OFFICE
CERTIFICATE OF CORRECTION

PATENT NO. : Des. 453,917 S
DATED : February 26, 2002
INVENTOR(S) : Ajay Sehgal

Page 1 of 1

It is certified that error appears in the above-identified patent and that said Letters Patent is hereby corrected as shown below:

Column 1,

Line 4, please insert the following section and statement as the first paragraph:

-- Government License Rights

The U.S. Government has a paid-up license in this invention and the right in limited circumstances to require the patent owner to license others on reasonable terms as provided for by the terms of Contract No. N00019-96-C-0128 awarded by NAVAIR. --

Signed and Sealed this

Ninth Day of December, 2003

A handwritten signature in black ink, appearing to read "James E. Rogan", written over a horizontal line.

JAMES E. ROGAN
Director of the United States Patent and Trademark Office