



US00D453915S

(12) **United States Design Patent**  
**Goodsell**

(10) **Patent No.:** **US D453,915 S**

(45) **Date of Patent:** **\*\* Feb. 26, 2002**

(54) **FOLDABLE ANCHOR**

(76) **Inventor:** **Boyd S. Goodsell**, 6 Balise La.,  
Foothill Ranch, CA (US) 92610

(\*\*) **Term:** **14 Years**

(21) **Appl. No.:** **29/126,809**

(22) **Filed:** **Jul. 25, 2000**

(51) **LOC (7) Cl.** ..... **12-16**

(52) **U.S. Cl.** ..... **D12/215**

(58) **Field of Search** ..... D12/215; 114/294,  
114/297, 298, 299, 301, 302, 304, 310

(56) **References Cited**

**U.S. PATENT DOCUMENTS**

5,095,842	A	*	3/1992	Soules	.....	114/299
5,188,055	A	*	2/1993	Kershner	.....	114/299
D347,206	S	*	5/1994	Smith	.....	D12/215
5,353,732	A	*	10/1994	Gramet et al.	.....	114/304

\* cited by examiner

*Primary Examiner*—Kay H. Chin

(74) *Attorney, Agent, or Firm*—James G. O’Neill

(57) **CLAIM**

The ornamental design for a foldable anchor, as shown and described.

**DESCRIPTION**

FIG. 1 is a perspective view, looking from the front, showing my new design;

FIG. 2 is a front elevational view thereof;

FIG. 3 is a rear elevational view thereof;

FIG. 4 is a right elevational view thereof;

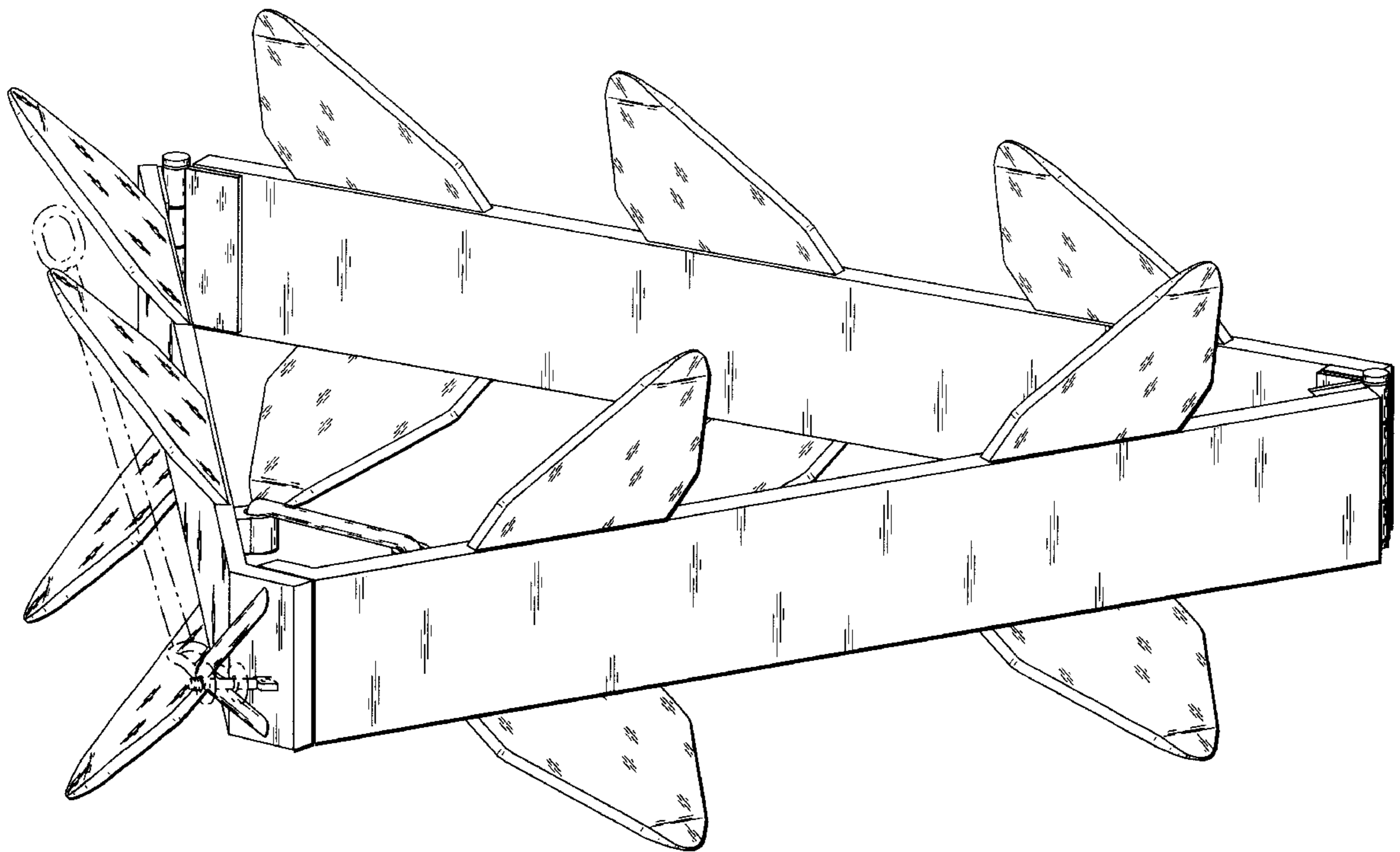
FIG. 5 is a left elevational view thereof;

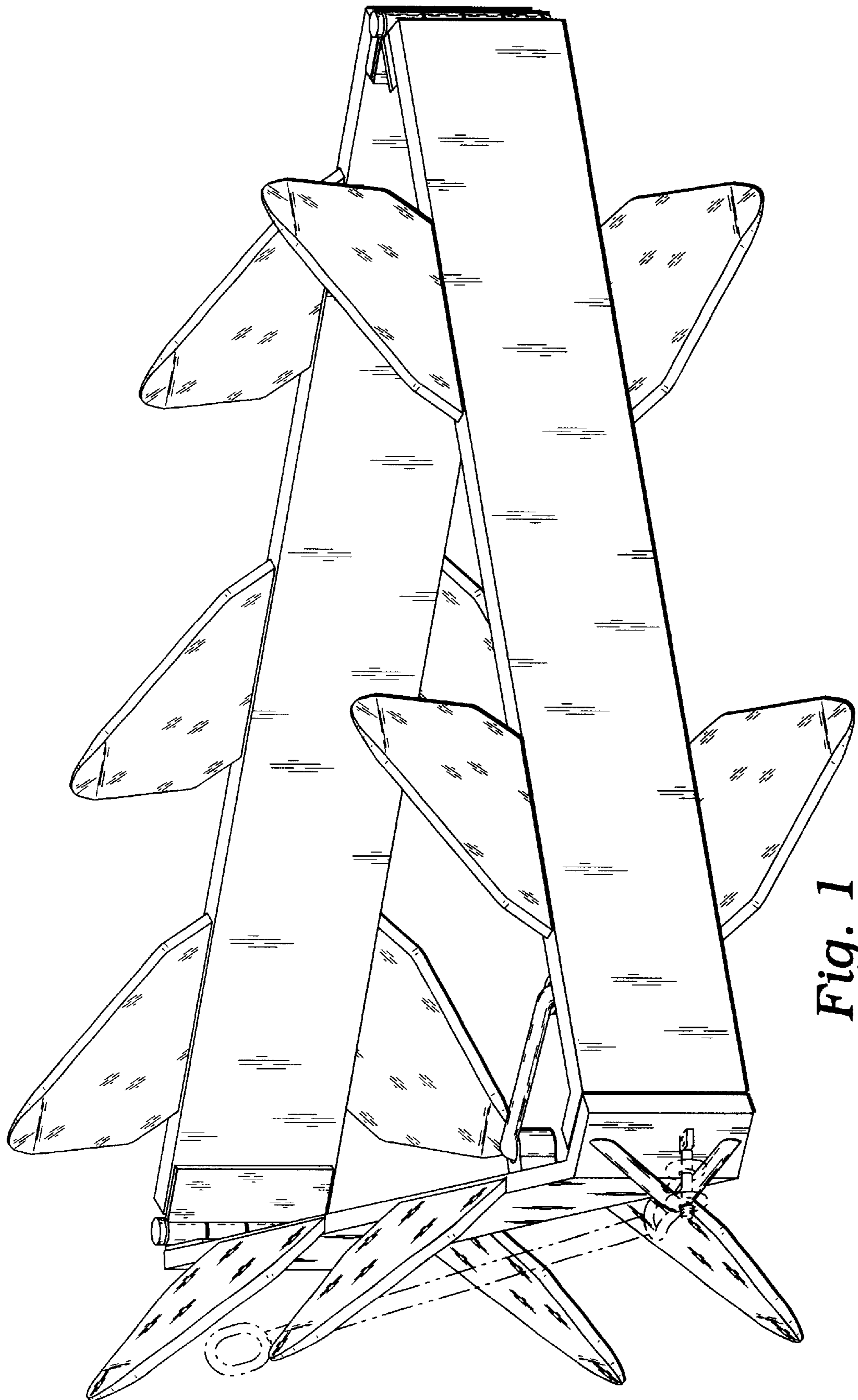
FIG. 6 is a top plan view thereof; and,

FIG. 7 is a bottom plan view thereof.

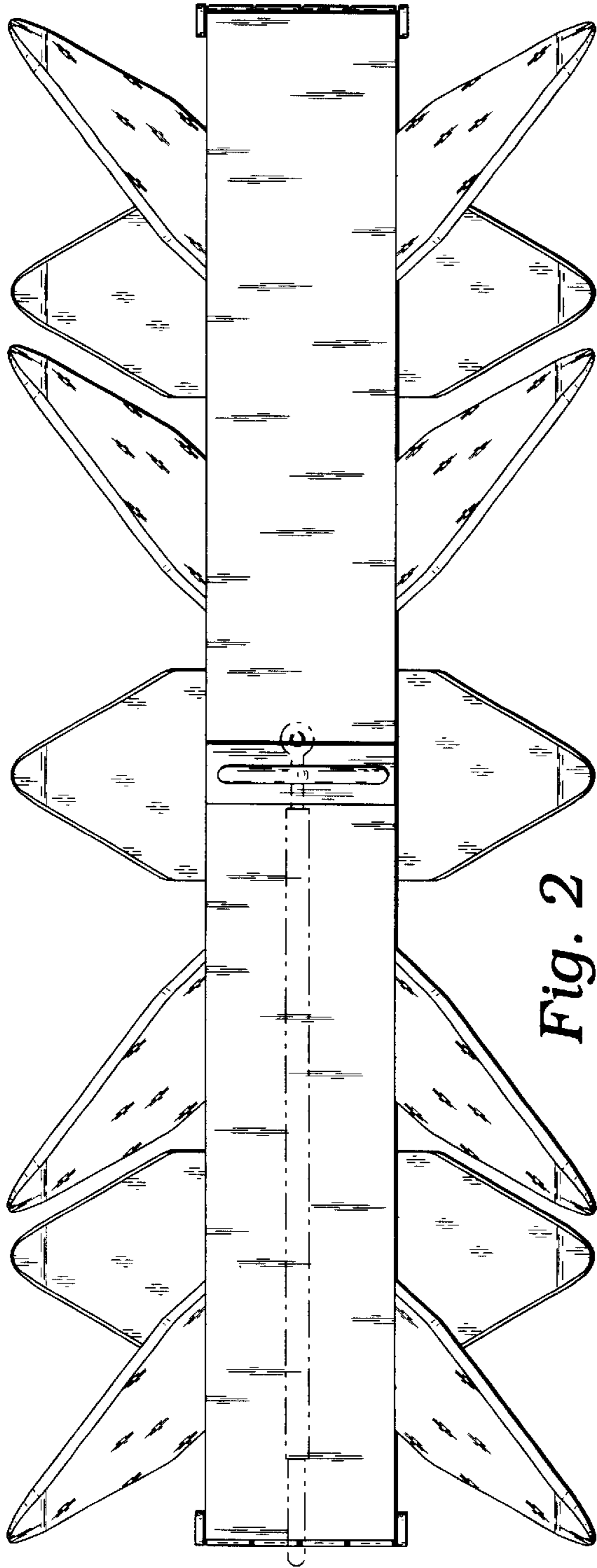
The foldable anchor attaching arm shown in broken line, throughout the several views, is for illustrative purposes only, and forms no part of the claimed invention.

**1 Claim, 5 Drawing Sheets**

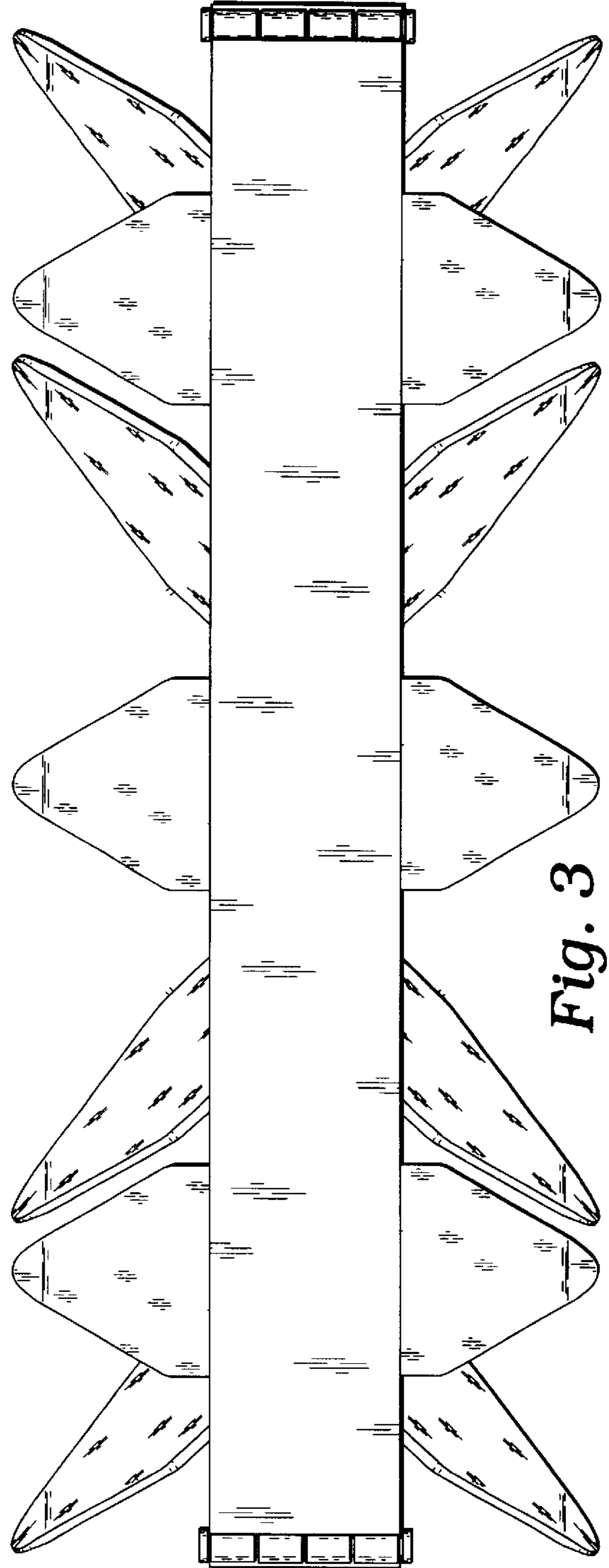




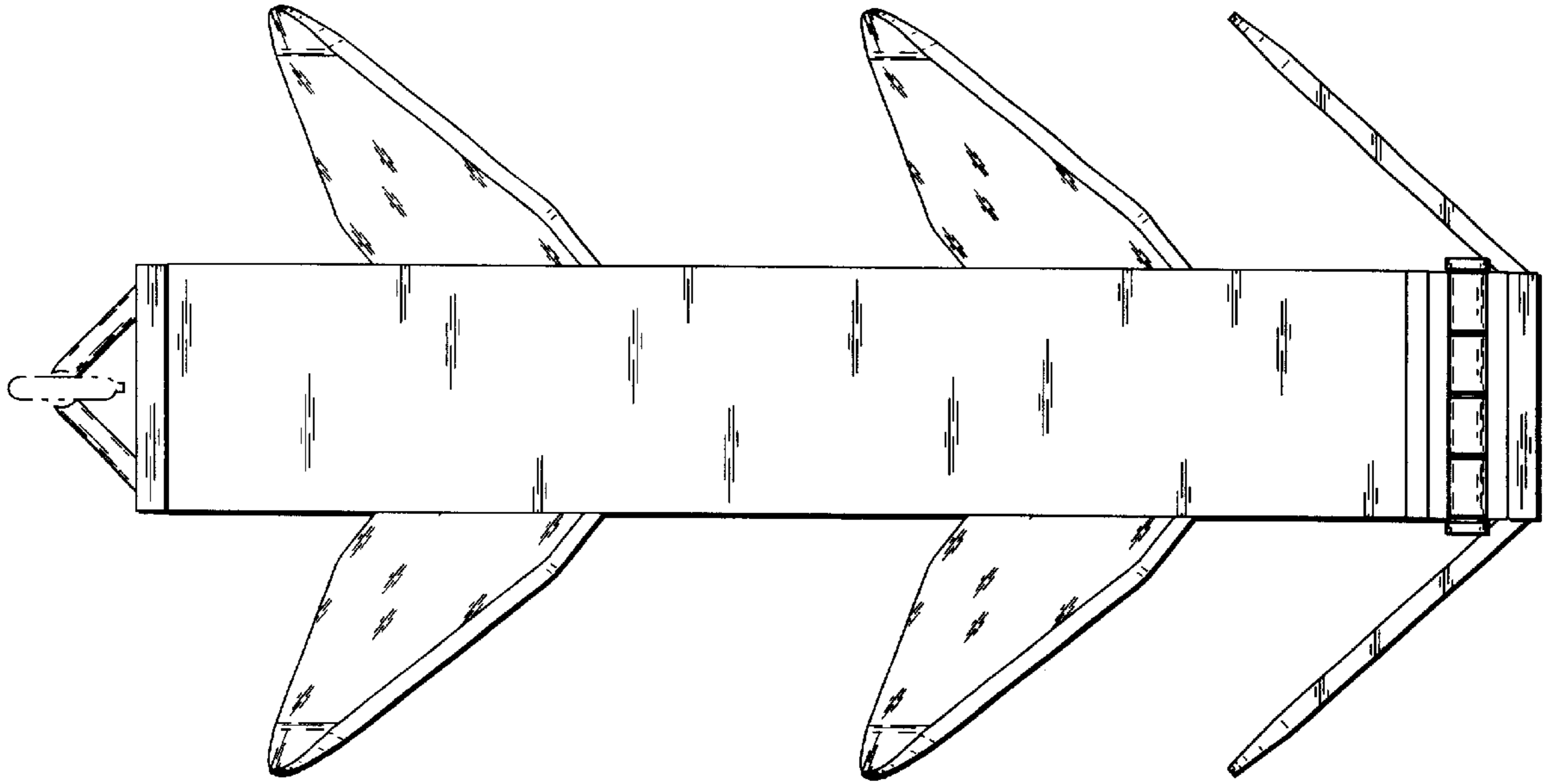
*Fig. 1*



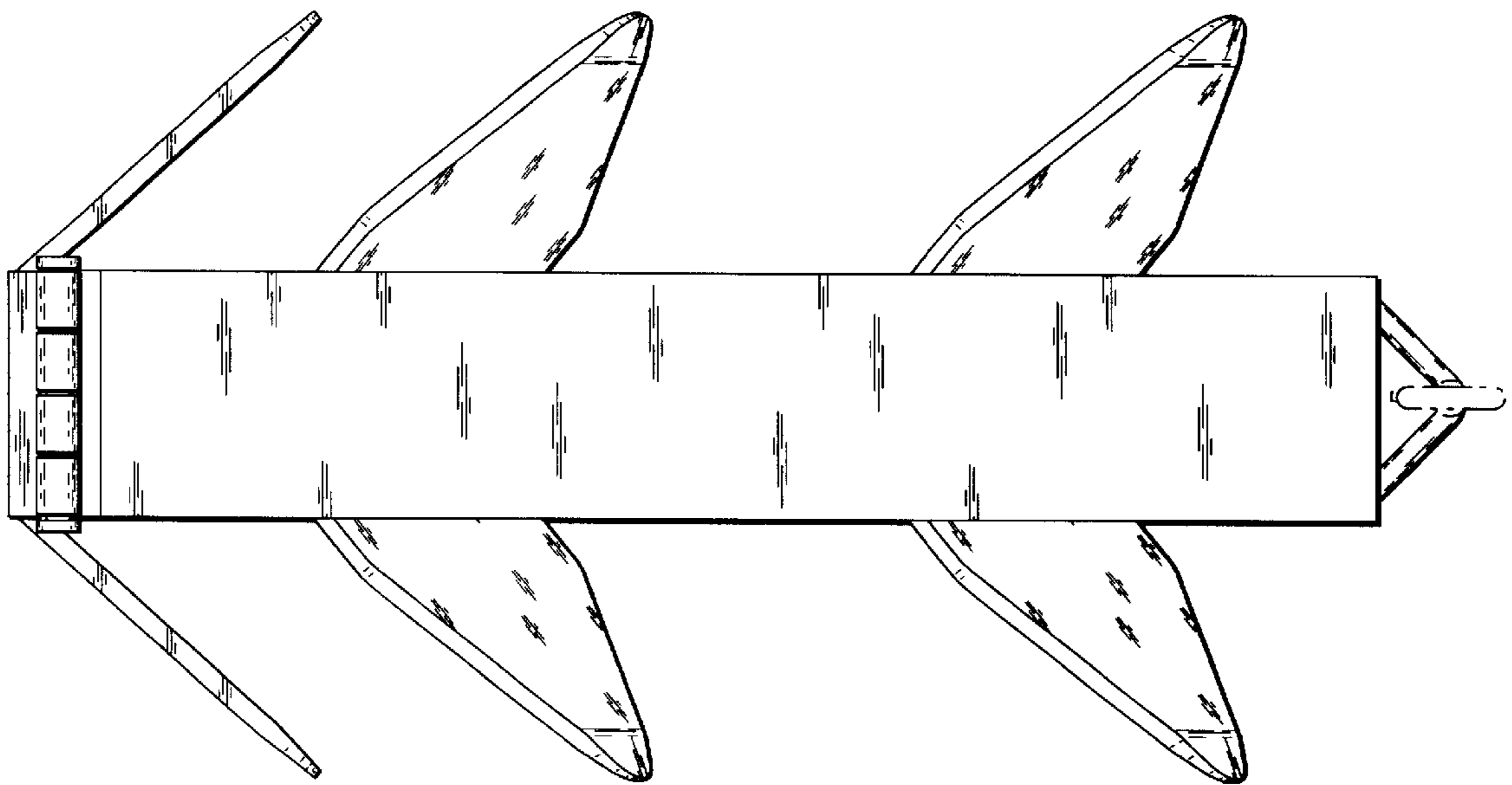
*Fig. 2*



*Fig. 3*



*Fig. 4*



*Fig. 5*

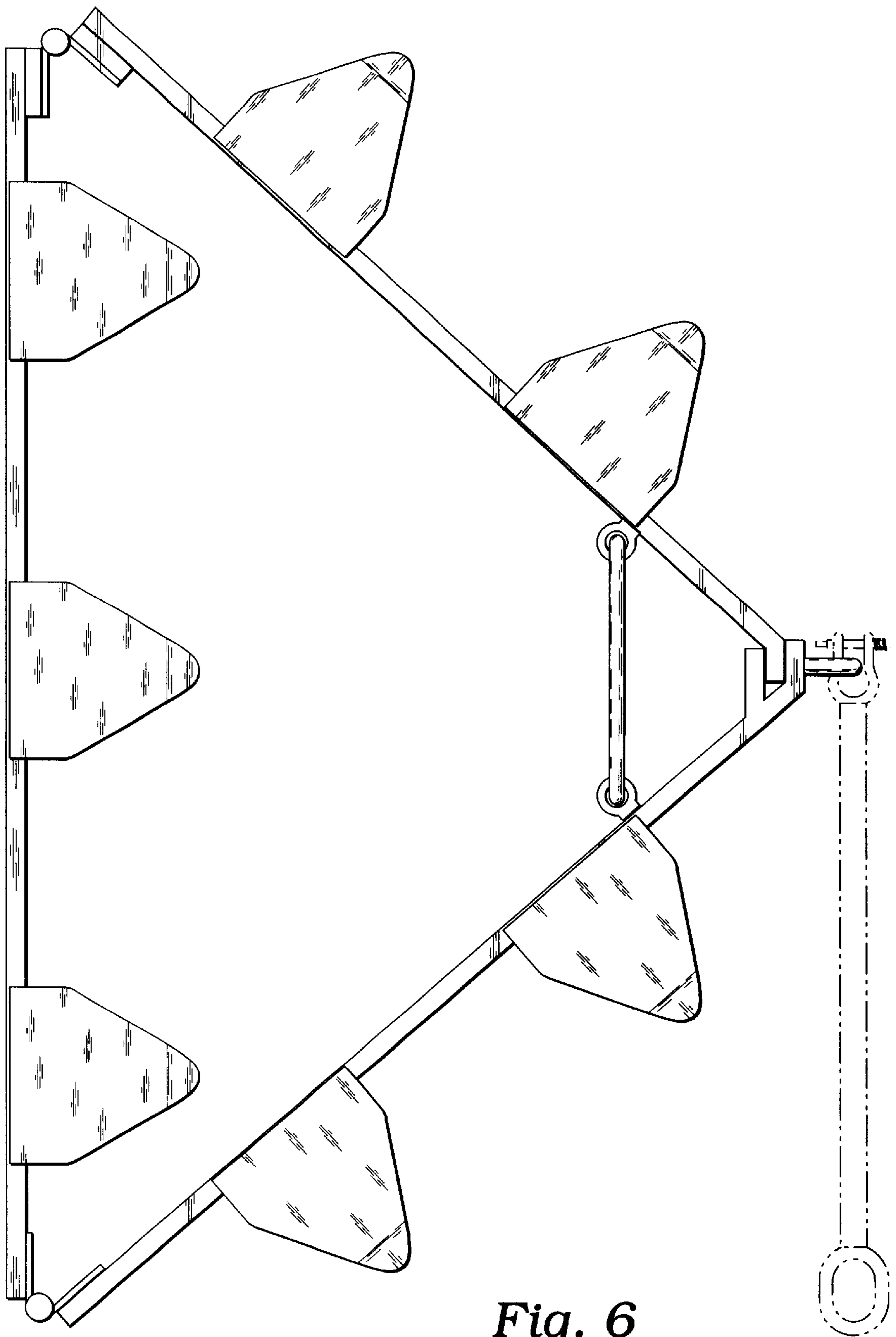
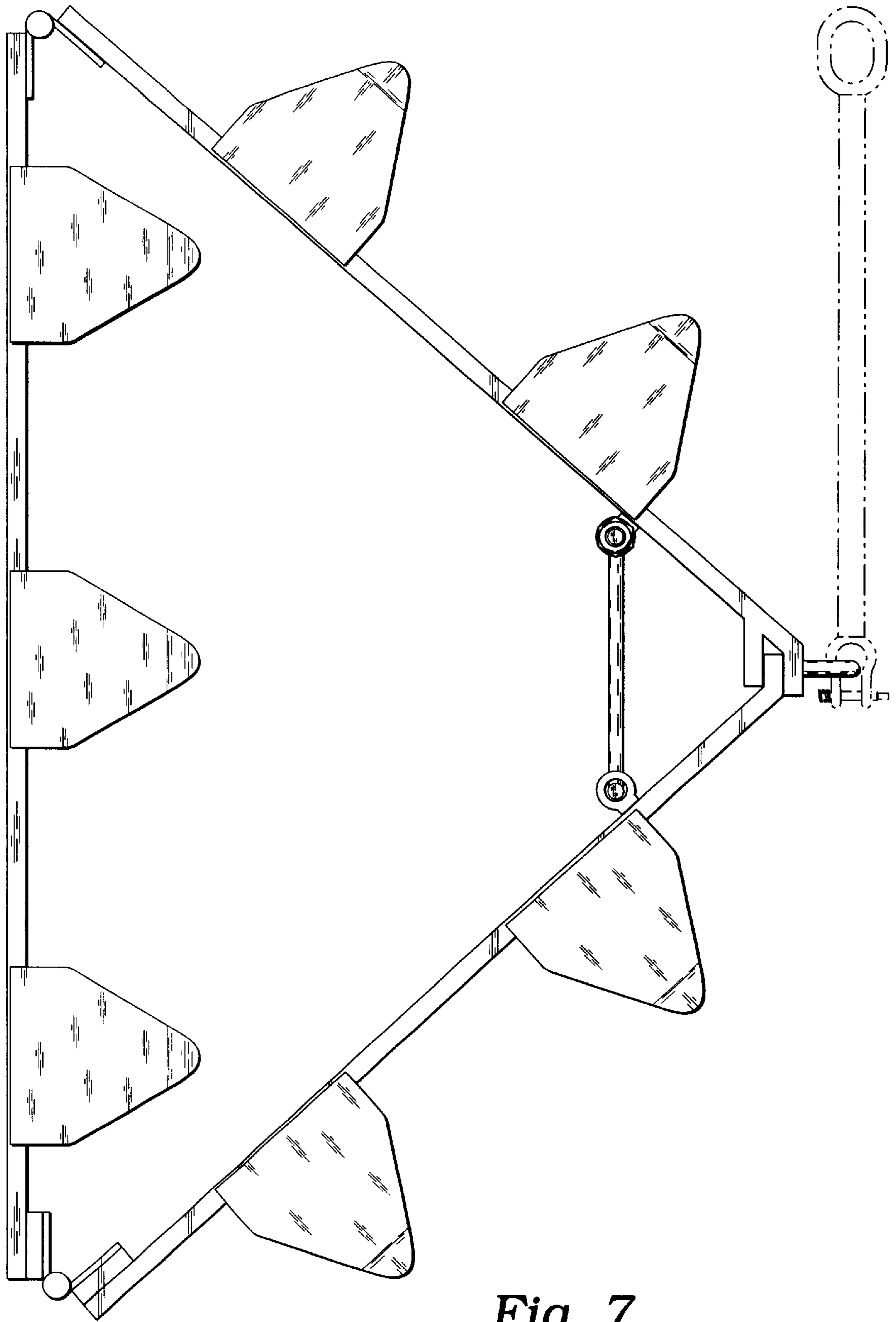


Fig. 6



*Fig. 7*