



US00D453912S

(12) **United States Design Patent**
Hettich et al.

(10) **Patent No.:** **US D453,912 S**

(45) **Date of Patent:** **** Feb. 26, 2002**

(54) **SURFACE CONFIGURATION OF A VEHICLE AND/OR TOY BODY**

D442,119 S * 5/2001 Murata et al. D12/86

* cited by examiner

(75) Inventors: **Ralph Hettich**, Kernen/Stetten;
Guenter Hoelzel, Hochdorf, both of
(DE)

Primary Examiner—Melody N. Brown
(74) *Attorney, Agent, or Firm*—Crowell & Moring LLP

(73) Assignee: **DaimlerChrysler AG**, Stuttgart (DE)

(57) **CLAIM**

(**) Term: **14 Years**

The ornamental design for a surface configuration of a vehicle and/or toy body, as shown and described.

(21) Appl. No.: **29/145,261**

DESCRIPTION

(22) Filed: **Jul. 19, 2001**

Related U.S. Application Data

(62) Division of application No. 29/114,453, filed on Nov. 22, 1999.

FIG. 1 is a front, left perspective view of a surface configuration of a vehicle and/or toy body according to our novel design, the front, right perspective view being mirror symmetrical;

(30) **Foreign Application Priority Data**

May 21, 1999 (DE) 499 04 090

FIG. 2 is a front view of the surface configuration of a vehicle and/or toy body according to our novel design;

(51) **LOC (7) Cl.** **12-08**

(52) **U.S. Cl.** **D12/86**

(58) **Field of Search** D12/86, 107; D21/549, D21/539; 296/186

FIG. 3 is a left side view of the surface configuration of a vehicle and/or toy body according to our novel design;

FIG. 4 is a right side view of the surface configuration of a vehicle and/or toy body according to our novel design;

FIG. 5 is a rear view of the surface configuration of a vehicle and/or toy body according to our novel design; and,

FIG. 6 is a top view of the surface configuration of a vehicle and/or toy body according to our novel design.

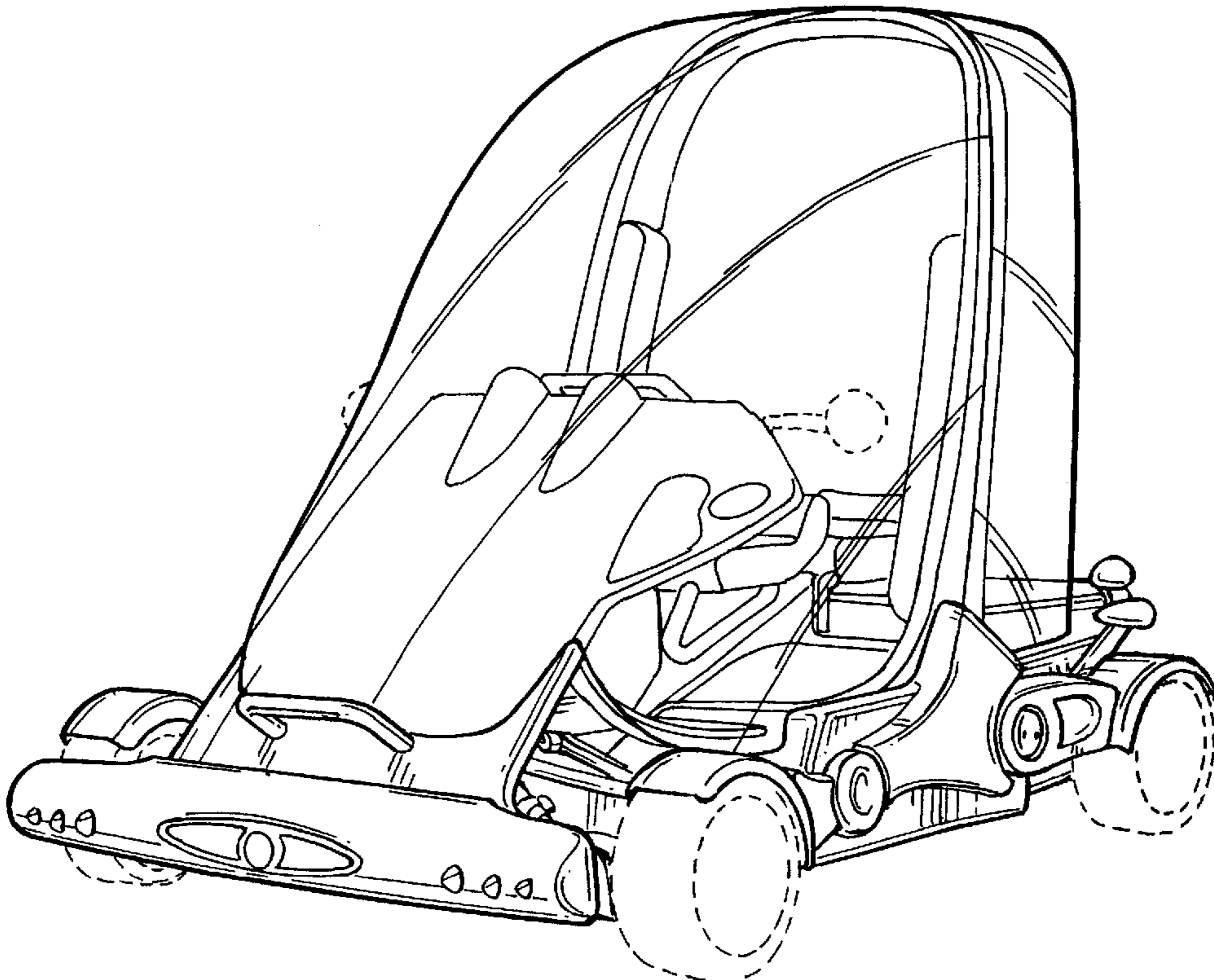
(56) **References Cited**

The broken line shown in FIGS. 1-5 are for illustrative purposes only and form no part of the claimed design.

U.S. PATENT DOCUMENTS

D437,256 S * 2/2001 Parent D12/86

1 Claim, 4 Drawing Sheets



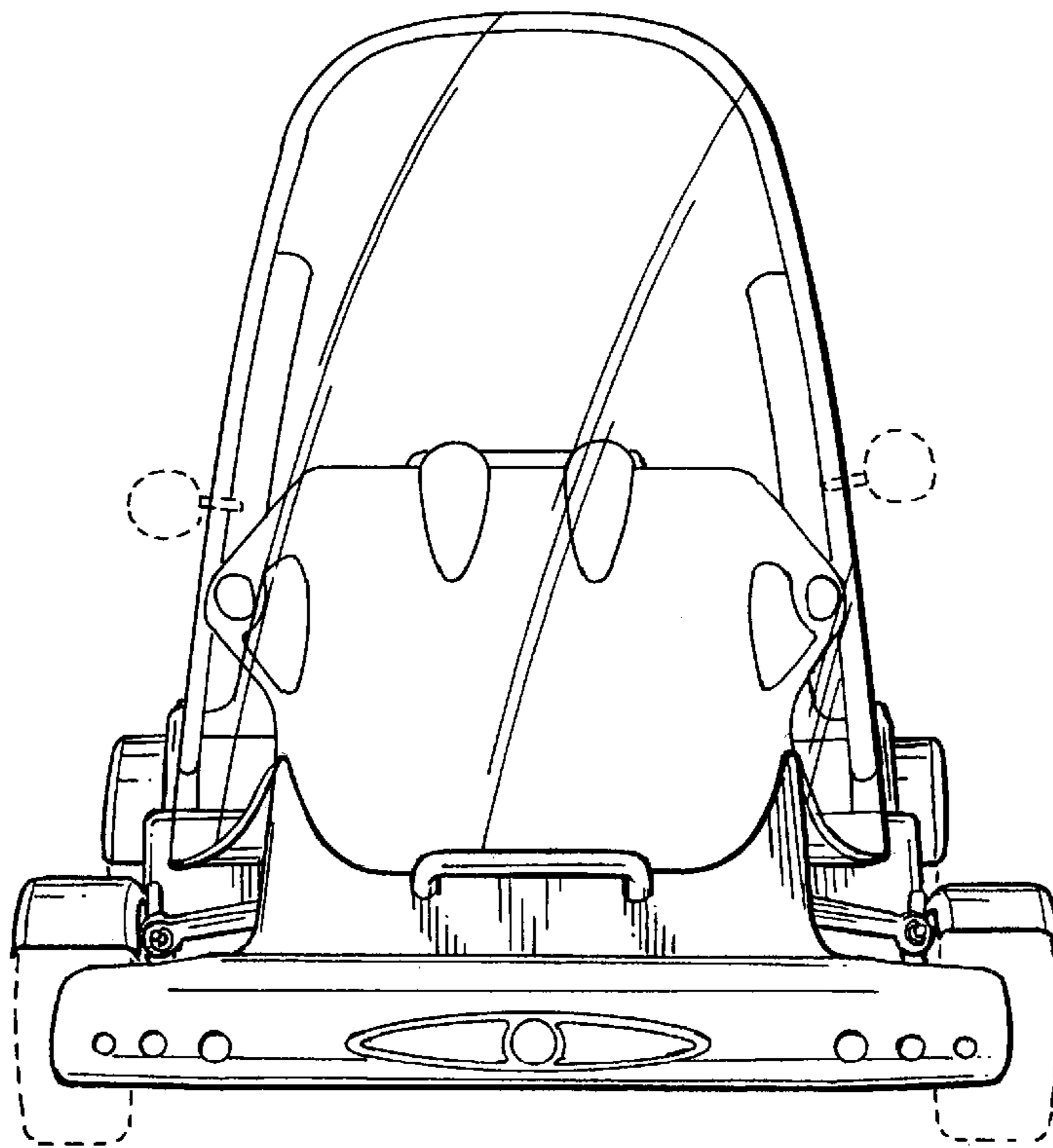
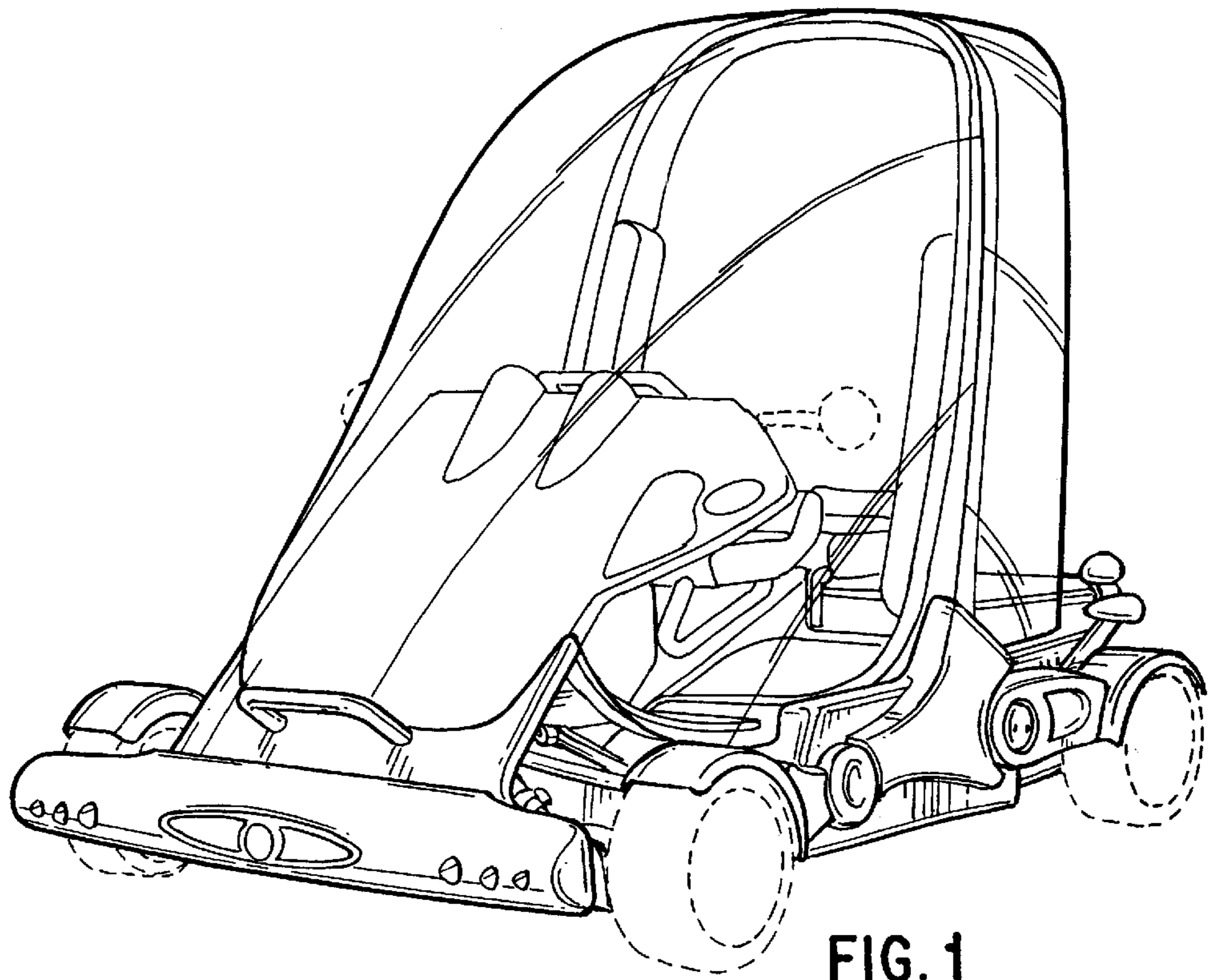


FIG. 2

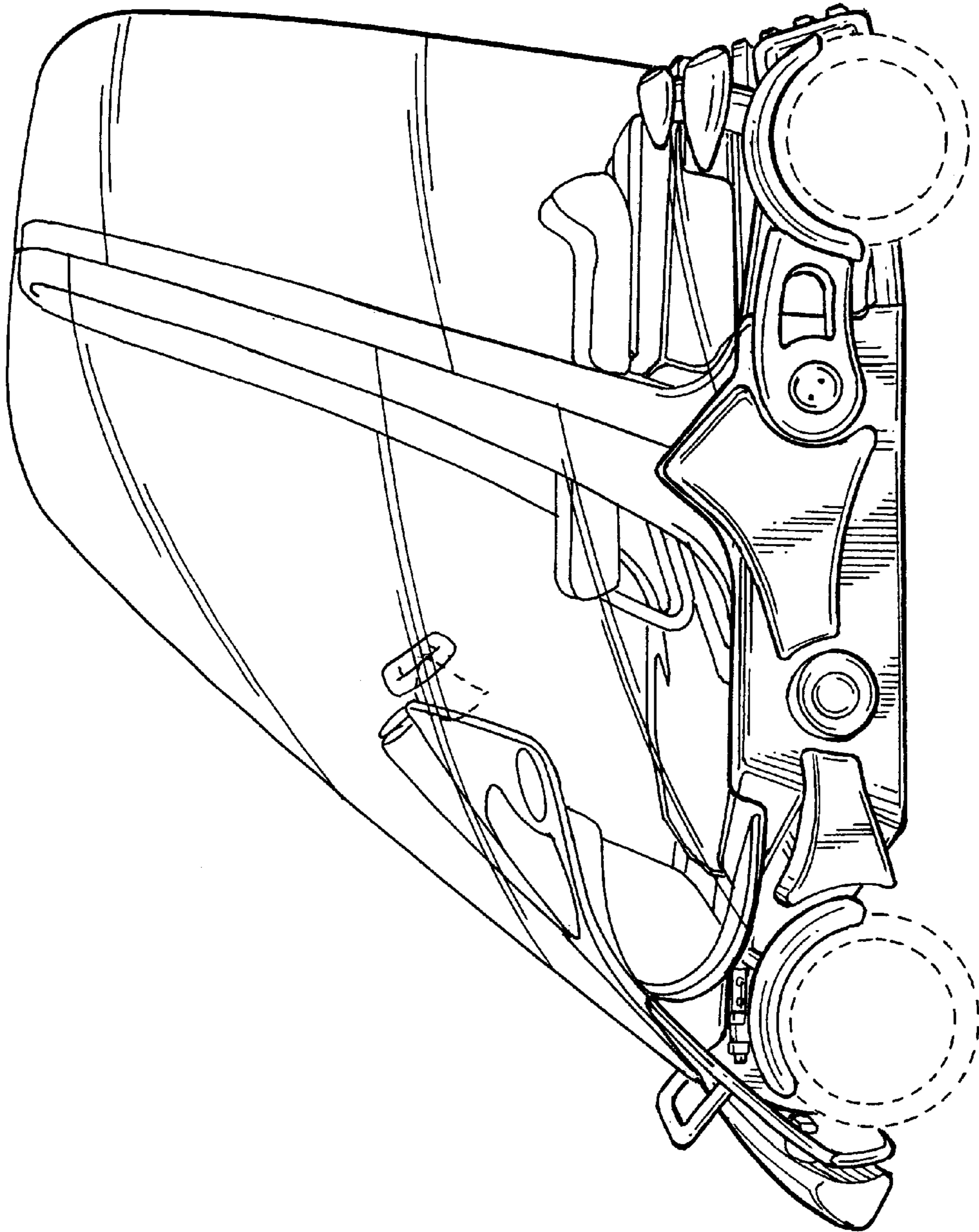


FIG. 3

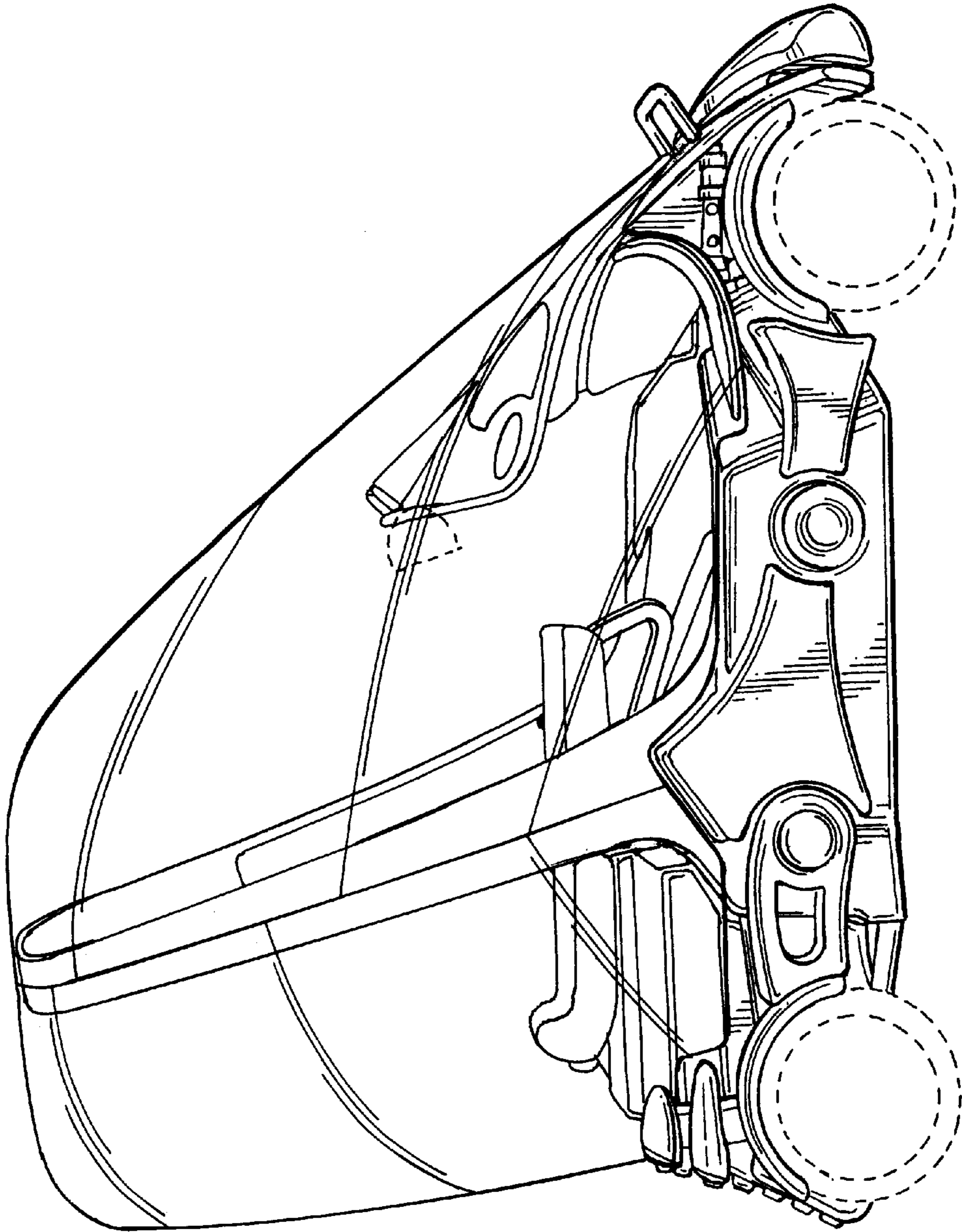


FIG. 4

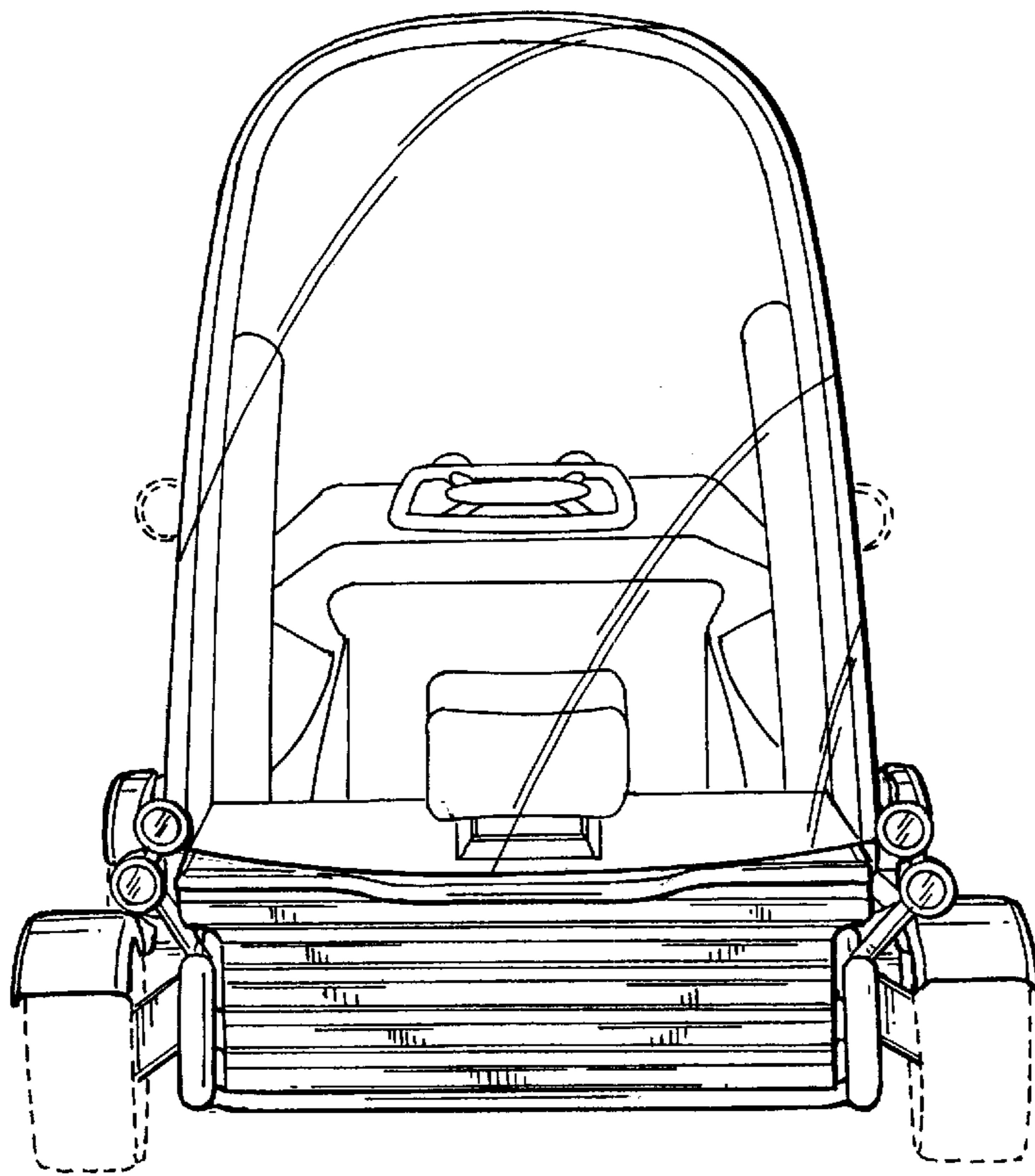


FIG. 5

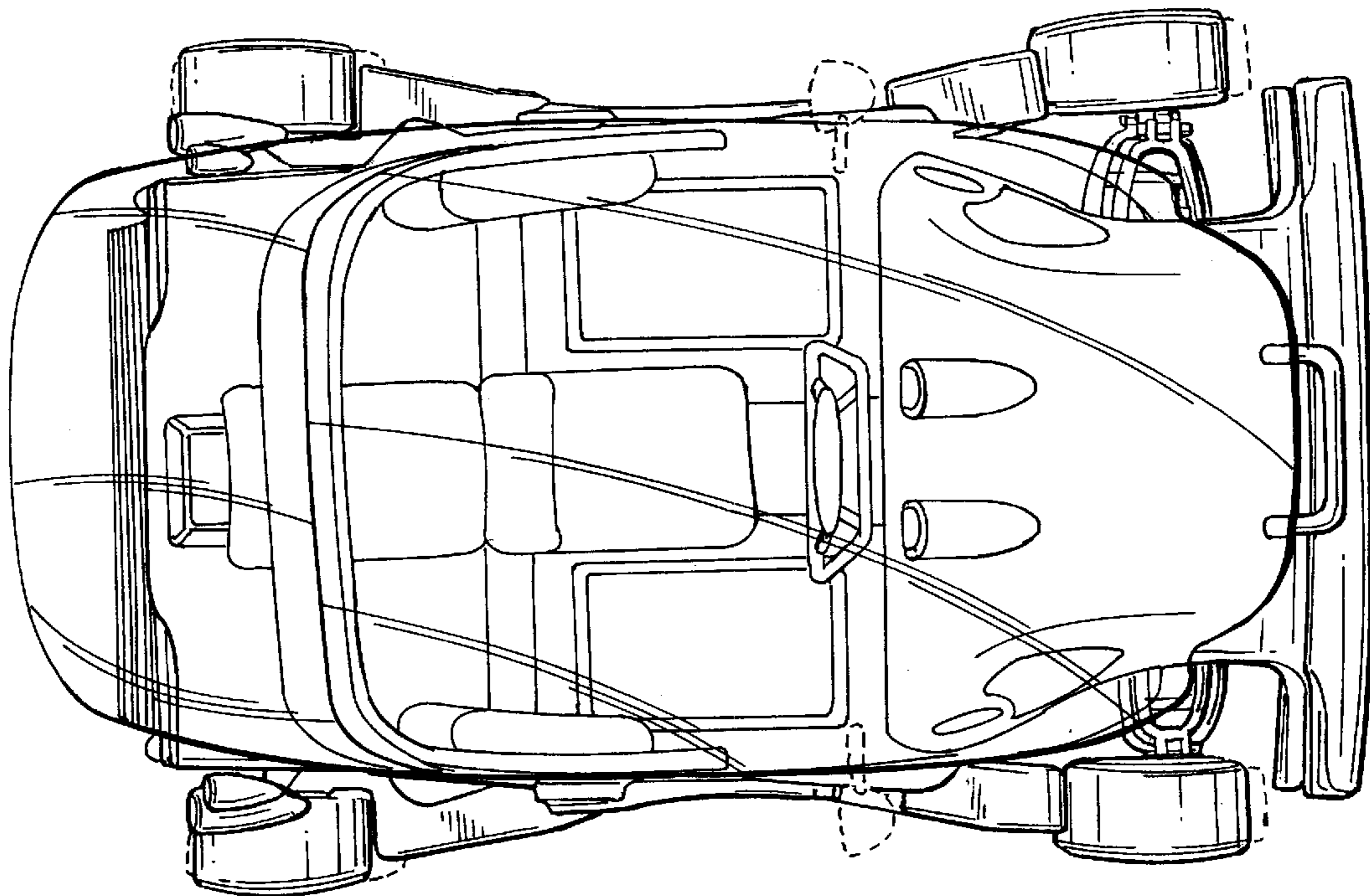


FIG. 6