



US00D453906S

(12) **United States Design Patent**
Hannig

(10) **Patent No.:** **US D453,906 S**

(45) **Date of Patent:** **** Feb. 26, 2002**

(54) **PATIENT TERMINAL**

D415,704 S * 10/1999 Carroll D10/104

(75) Inventor: **Martin Hannig**, Ulm (DE)

* cited by examiner

(73) Assignee: **Albert Ackermann GmbH & Co. KG**,
Gummersbach (DE)

Primary Examiner—Marcus A. Jackson

(74) *Attorney, Agent, or Firm*—Crowell & Moring LLP

(**) Term: **14 Years**

(57) **CLAIM**

The ornamental design for a patient terminal, as shown and described.

(21) Appl. No.: **29/119,314**

(22) Filed: **Feb. 29, 2000**

DESCRIPTION

(30) **Foreign Application Priority Data**

Nov. 1, 1999 (XH) DM/049 670

FIG. 1 is a perspective view of a patient terminal according to my novel design;

(51) **LOC (7) Cl.** **10-05**

FIG. 2 is a front view of the patient terminal according to my novel design;

(52) **U.S. Cl.** **D10/104**

FIG. 3 is a right side view of the patient terminal according to my novel design;

(58) **Field of Search** D10/104, 106,
D10/116, 121; 340/825.69, 825.72; 455/80,
89, 90, 95, 151.1–151.4, 352–355; D14/100,
124, 217, 218

FIG. 4 is a top view of the patient terminal according to my novel design;

FIG. 5 is a bottom view of the patient terminal according to my novel design;

(56) **References Cited**

U.S. PATENT DOCUMENTS

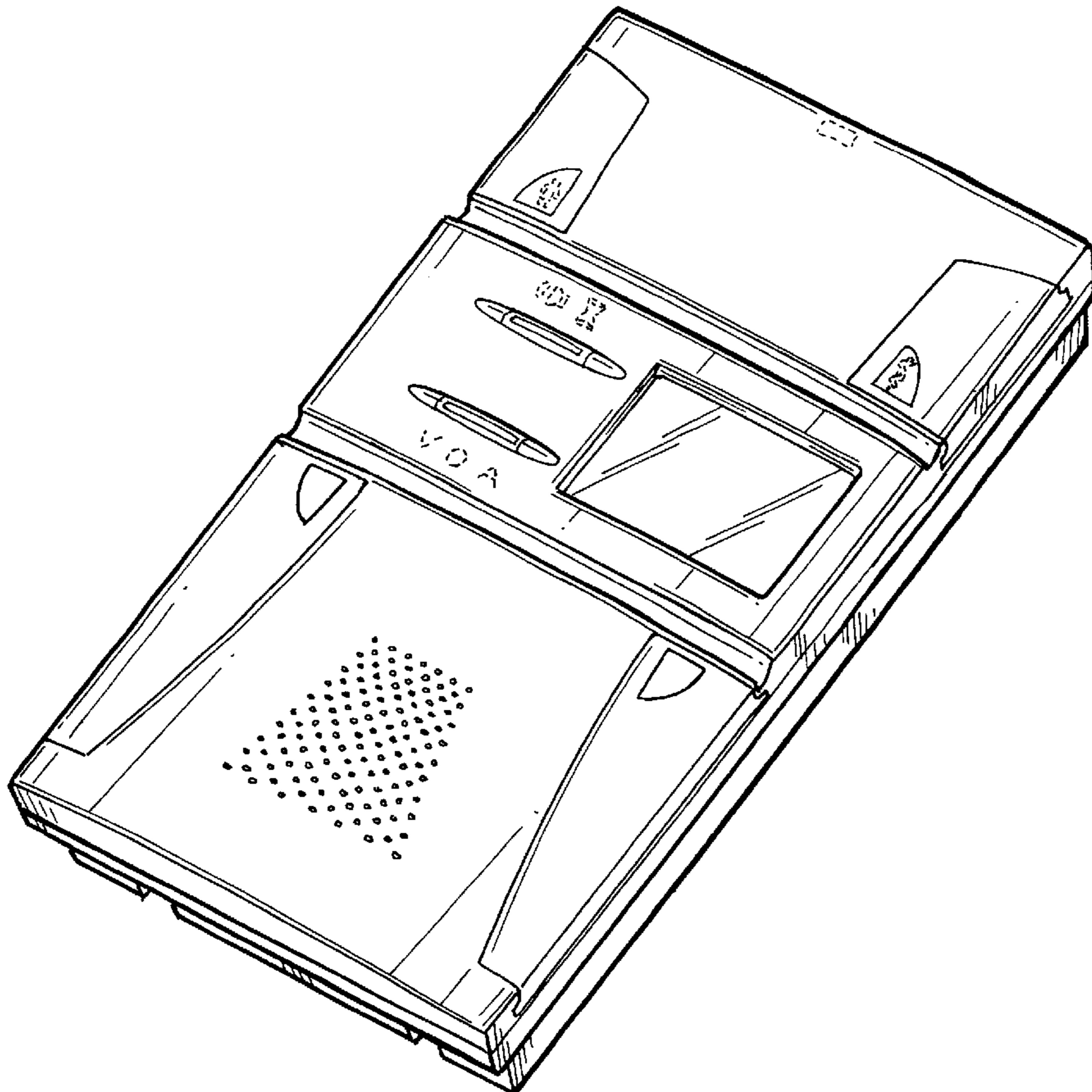
D387,060 S * 12/1997 Inukai D10/104

D391,878 S * 3/1998 Alleyne D10/104

FIG. 6 is a left side view of the patient terminal according to my novel design; and,

FIG. 7 is a back view of the patient terminal according to my novel design.

1 Claim, 3 Drawing Sheets



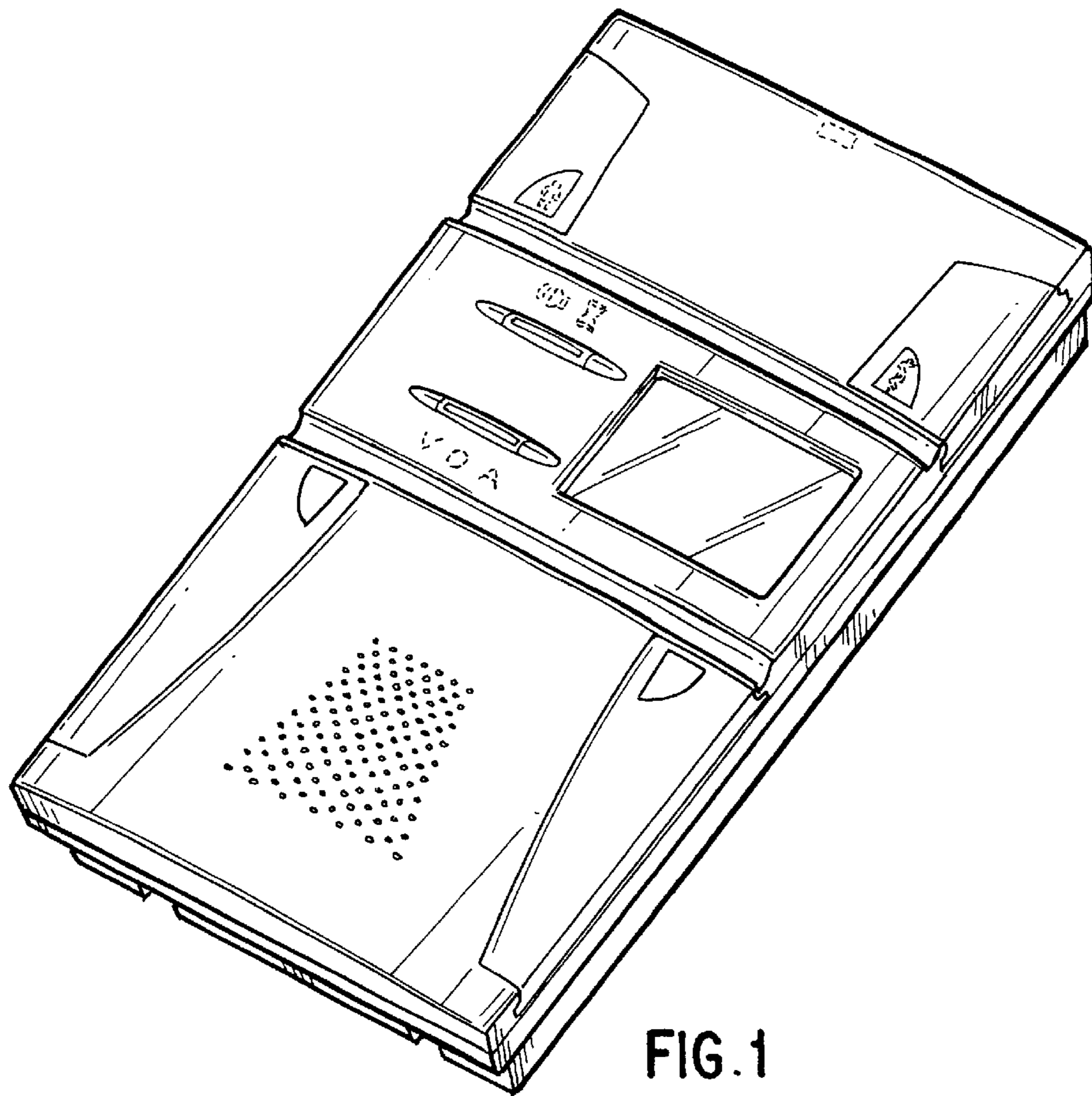


FIG. 1

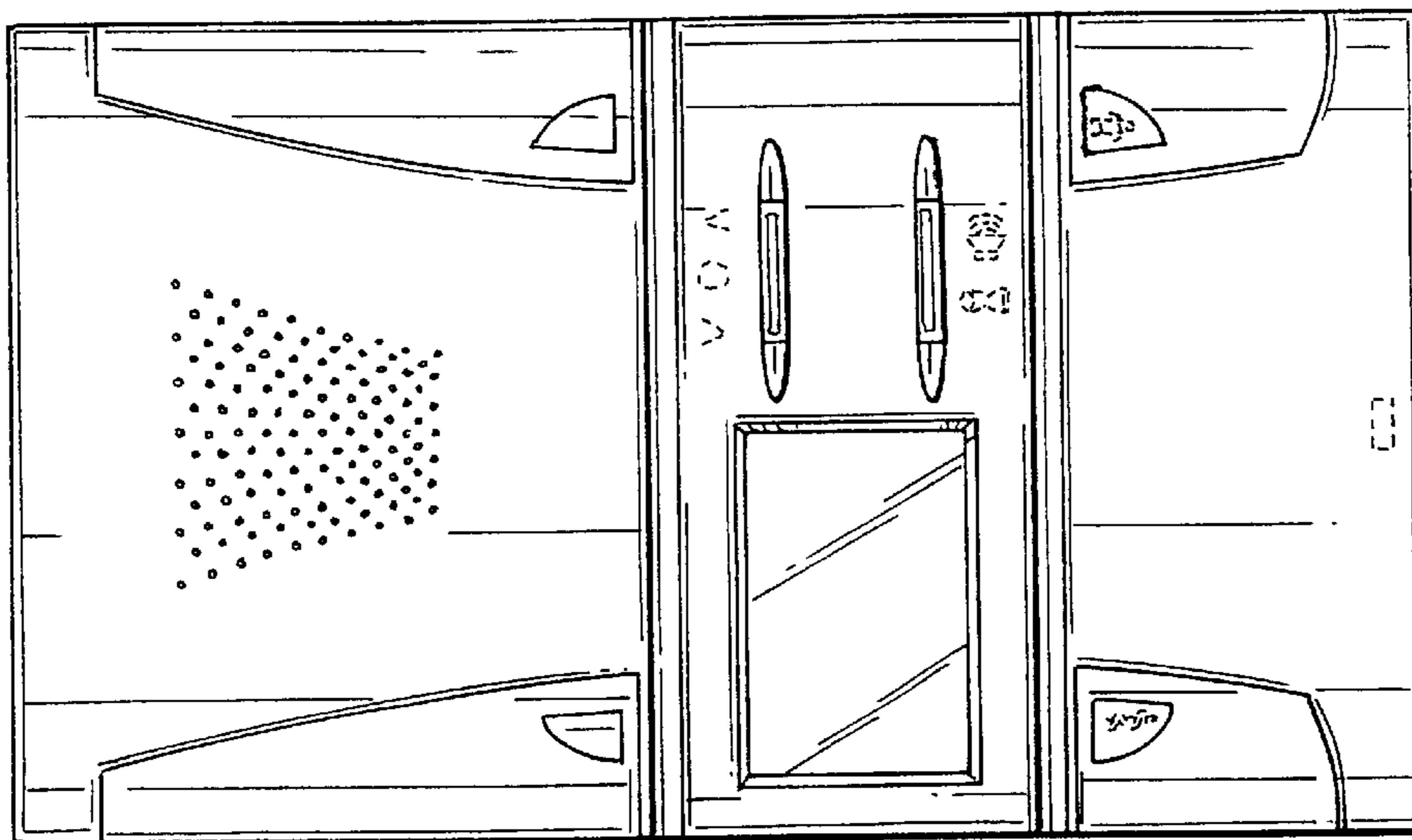


FIG. 2

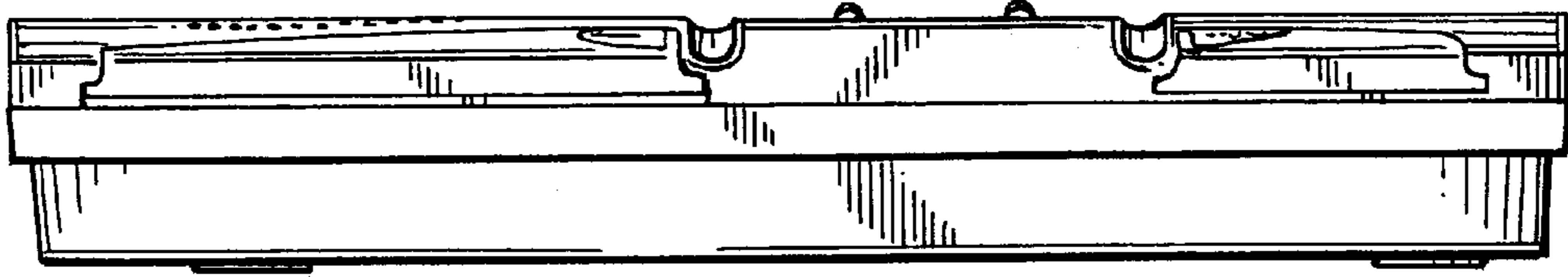


FIG. 3

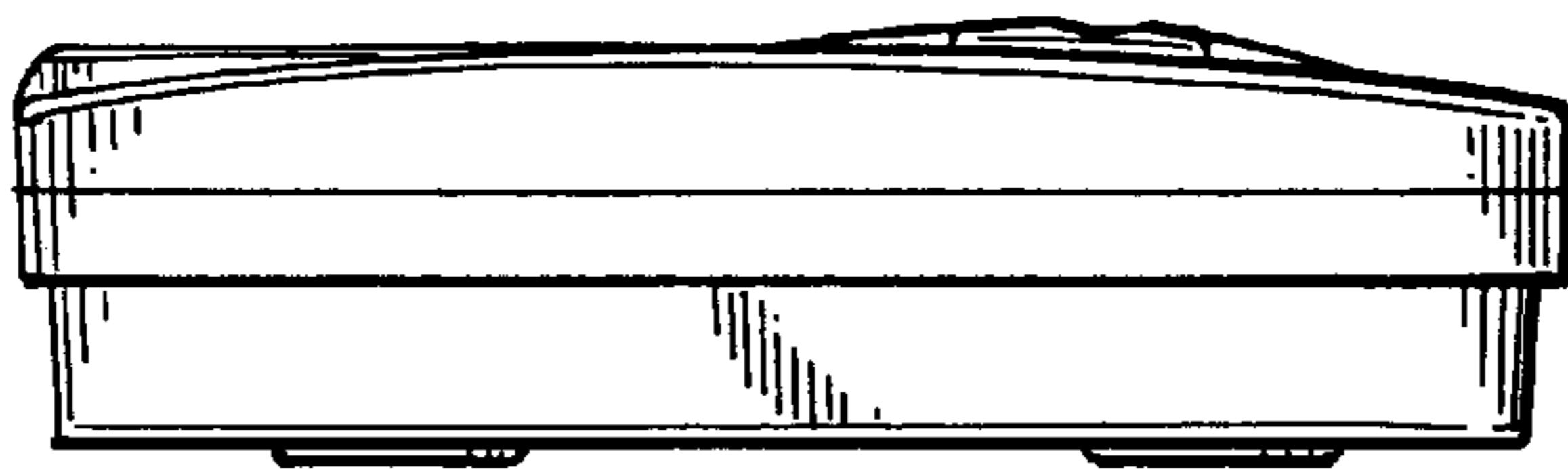


FIG. 4

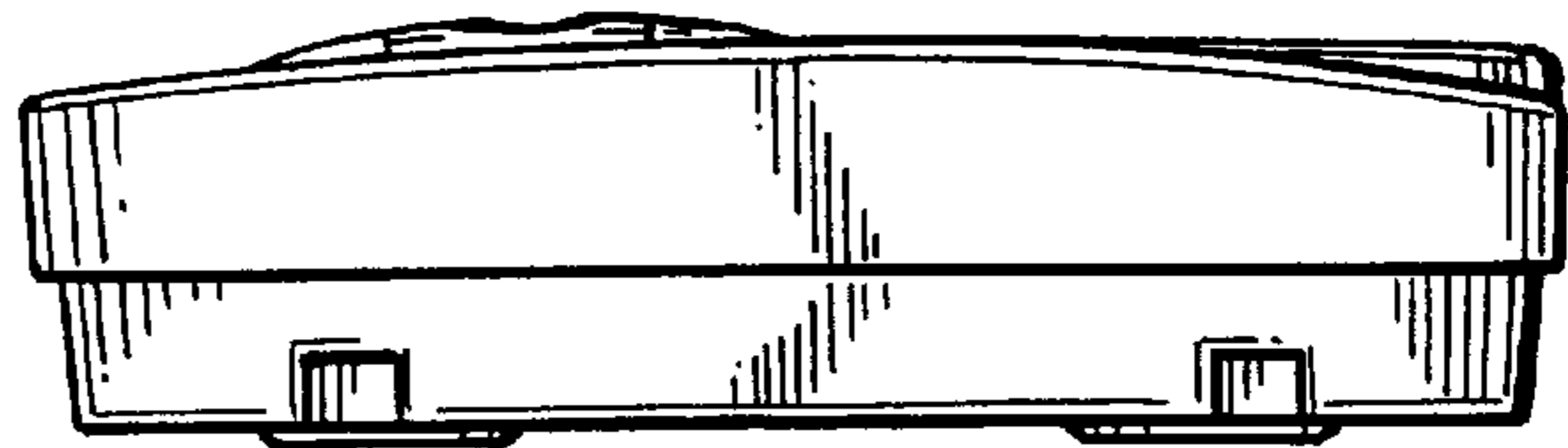


FIG. 5

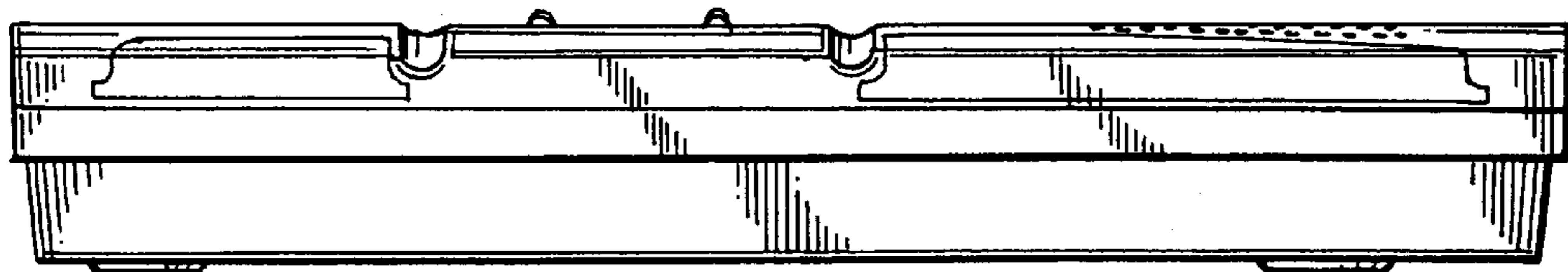


FIG. 6

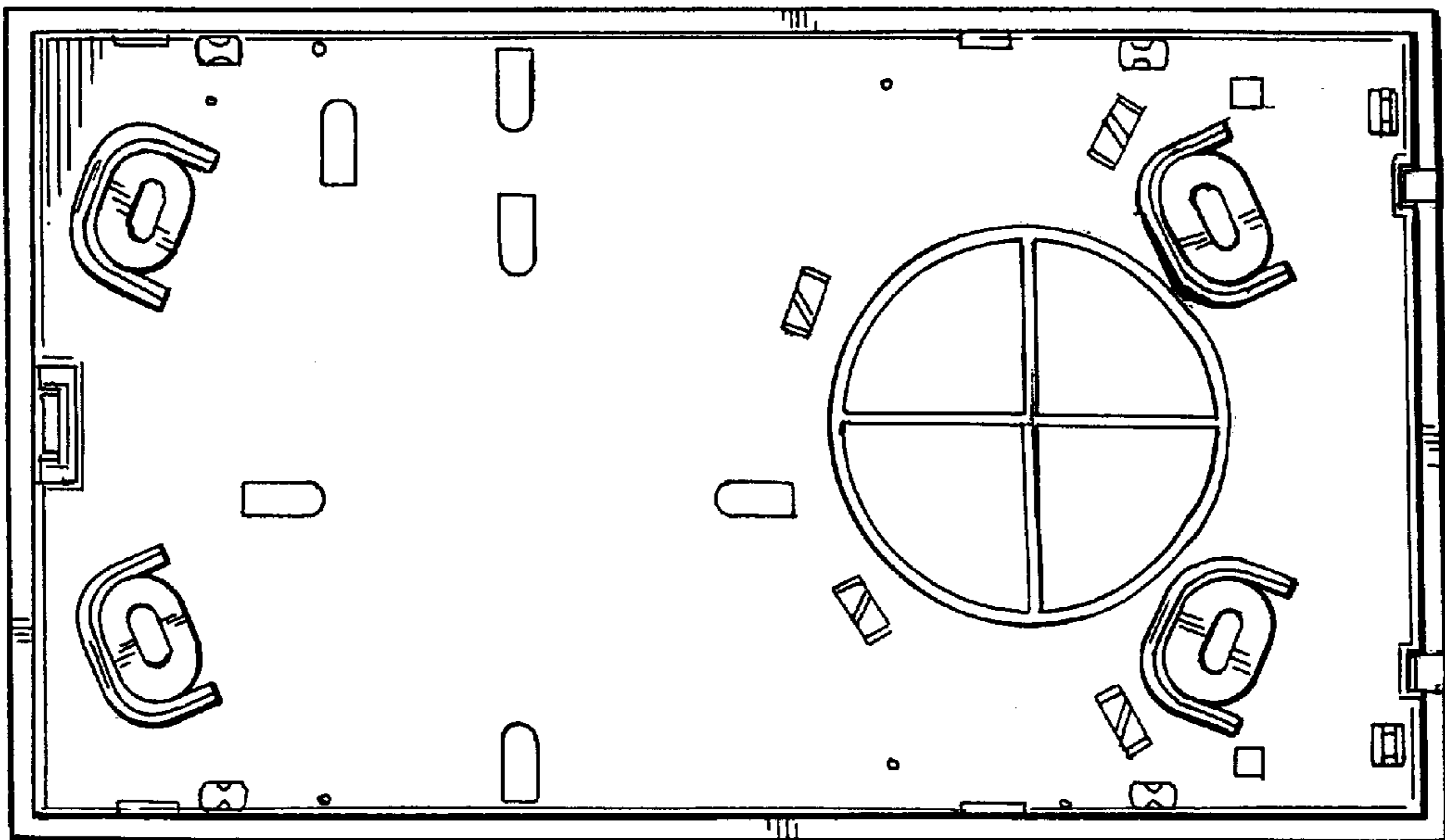


FIG. 7