



US00D453899S

(12) **United States Design Patent**  
**LaPlume et al.**

(10) **Patent No.:** **US D453,899 S**

(45) **Date of Patent:** **\*\* Feb. 26, 2002**

(54) **ESCUTCHEON**

(75) Inventors: **Zhiqian LaPlume**, Huntington Beach;  
**Anthony J. Carsello**, Chino Hills, both  
of CA (US)

(73) Assignee: **Emhart Inc.**, Newark, DE (US)

(\*\*) Term: **14 Years**

(21) Appl. No.: **29/136,865**

(22) Filed: **Feb. 8, 2001**

(51) **LOC (7) Cl.** ..... **11-05**

(52) **U.S. Cl.** ..... **D8/352**

(58) **Field of Search** ..... D8/300-302, 350,  
D8/352, 353; 292/347, 357, 336.3; 16/402;  
174/66; D6/550; 70/450, 452

(56) **References Cited**

**U.S. PATENT DOCUMENTS**

D271,464 S	11/1983	Carlson	
D317,691 S	* 6/1991	Wang	D6/550
D318,215 S	* 7/1991	Fleming	D8/352
5,084,940 A	* 2/1992	Loffler et al.	292/357
5,695,227 A	* 12/1997	Smallegon et al.	292/336.3
D405,216 S	2/1999	Porter et al.	
D405,995 S	2/1999	Harris	

D423,911 S	*	5/2000	Dagley	D8/352
D427,291 S		6/2000	Milrud et al.	
D435,972 S	*	1/2001	Moore	D8/352

\* cited by examiner

*Primary Examiner*—B. J. Bullock

(74) *Attorney, Agent, or Firm*—Richard J. Veltman; John D. Del Ponti

(57) **CLAIM**

The ornamental design for an escutcheon, as shown and described.

**DESCRIPTION**

FIG. 1 is a perspective view of the new design for an escutcheon;

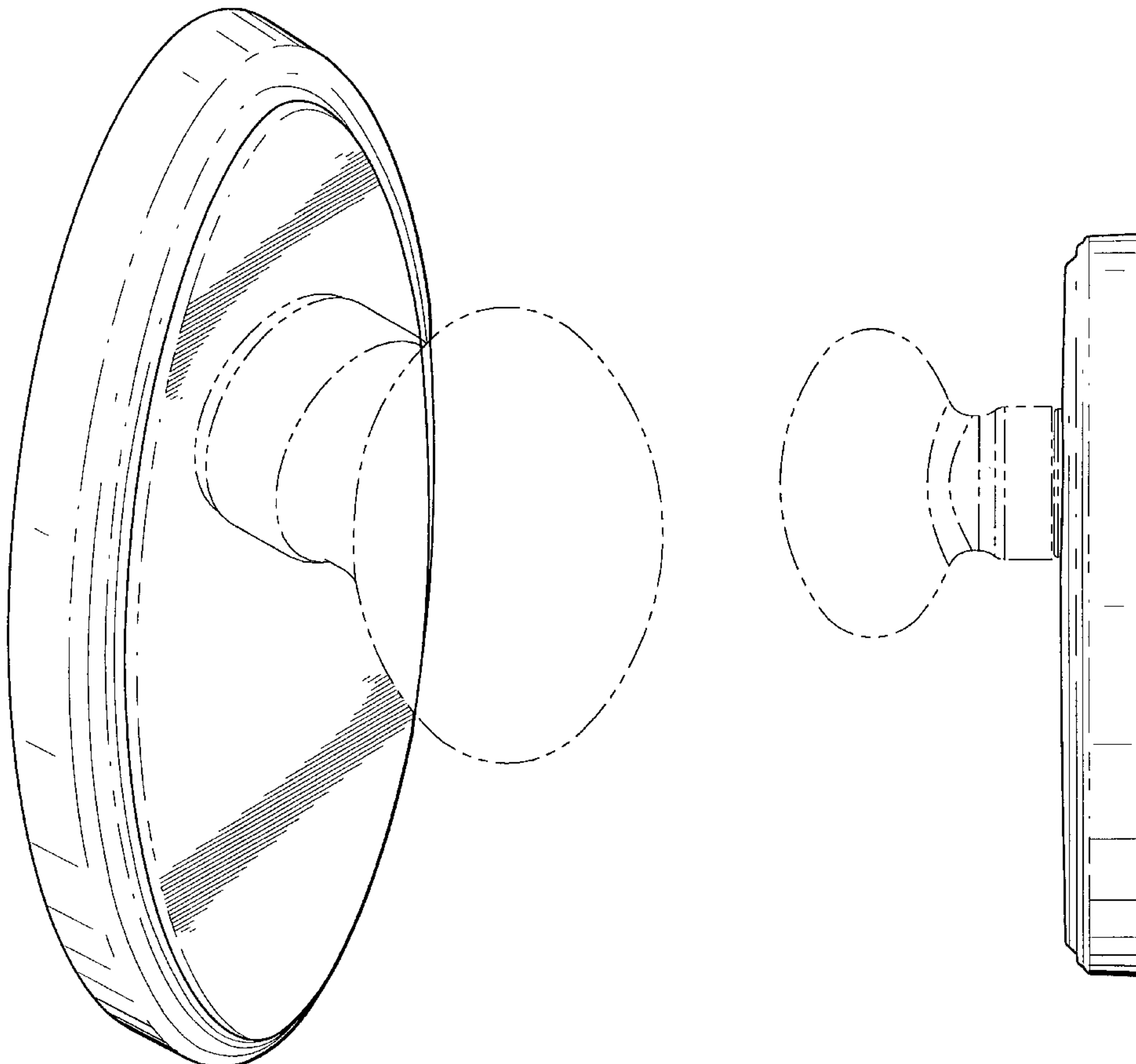
FIG. 2 is a front elevational view of the new design for an escutcheon;

FIG. 3 is a left side elevational view of the new design for an escutcheon; and,

FIG. 4 is a top plan view of the new design for an escutcheon.

FIG. 1 is not drawn to the same scale as FIGS. 2-4. The broken lines are for illustrative purposes only and form no part of the claimed design.

**1 Claim, 2 Drawing Sheets**



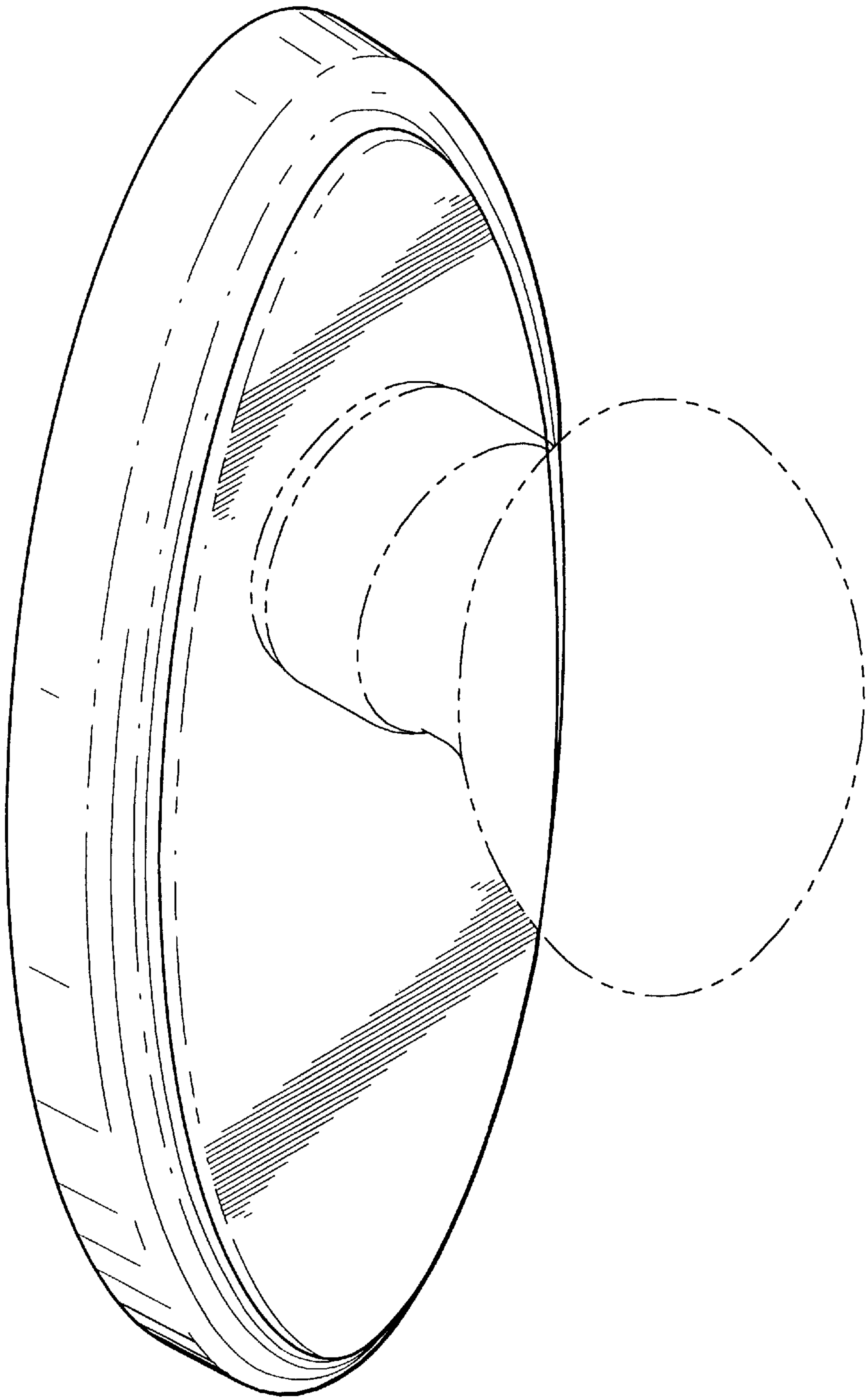


FIG. 1

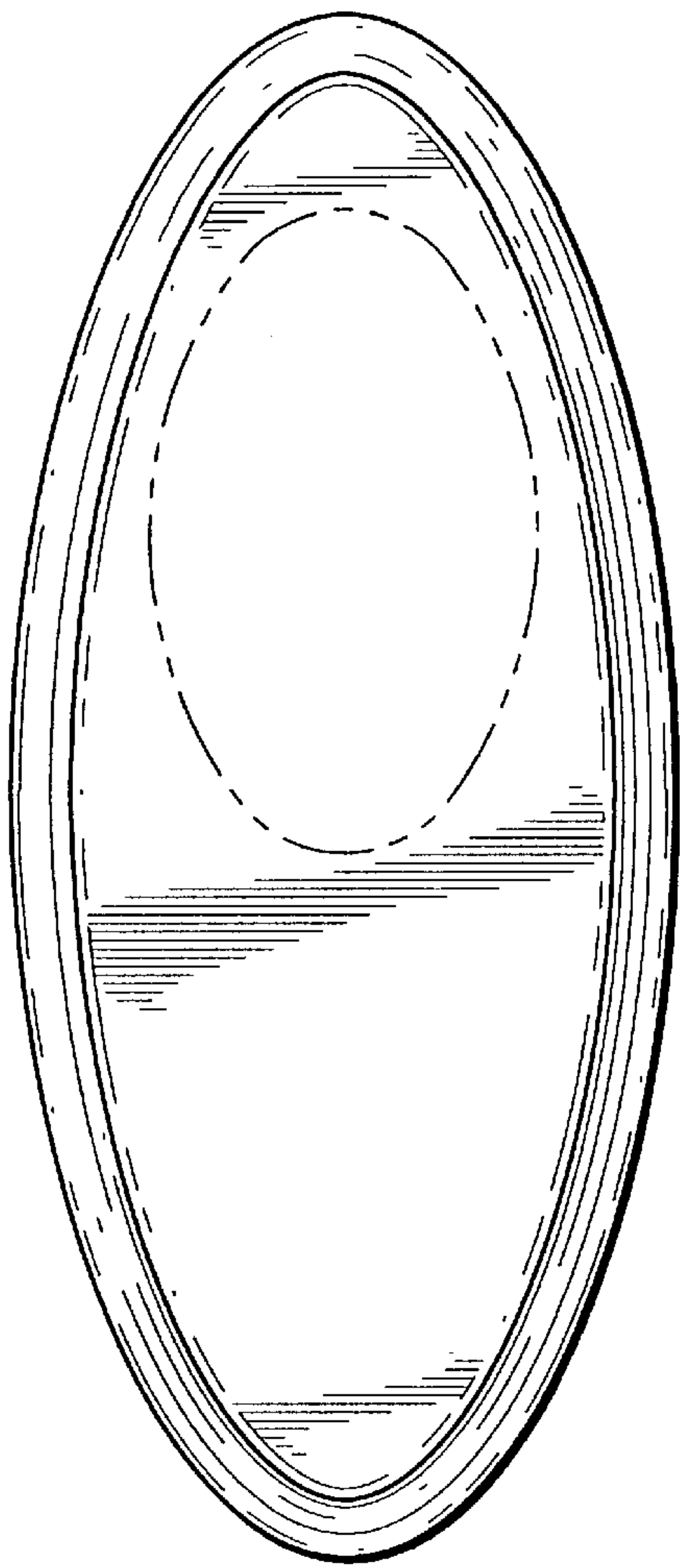


FIG. 2

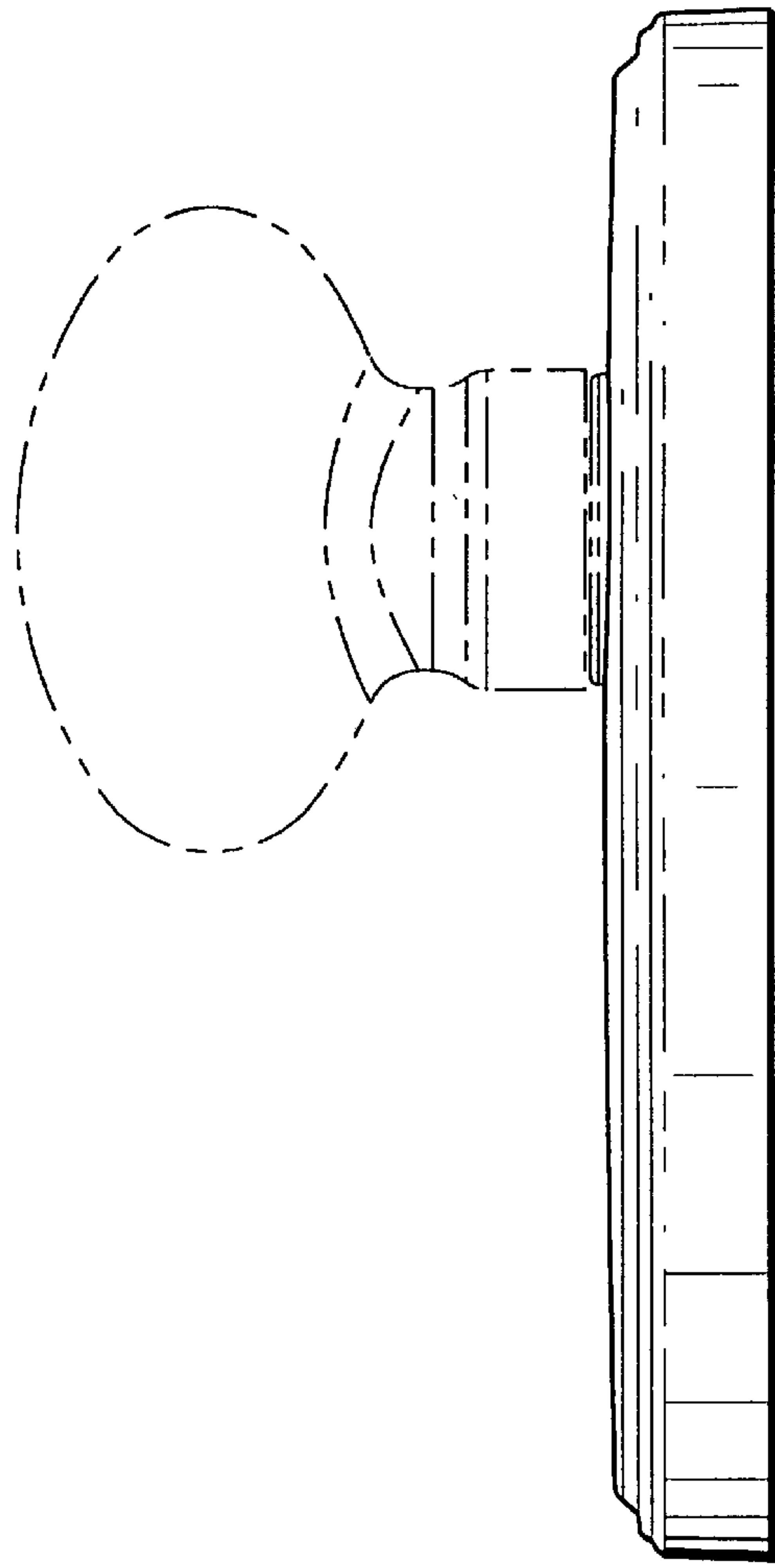


FIG. 3

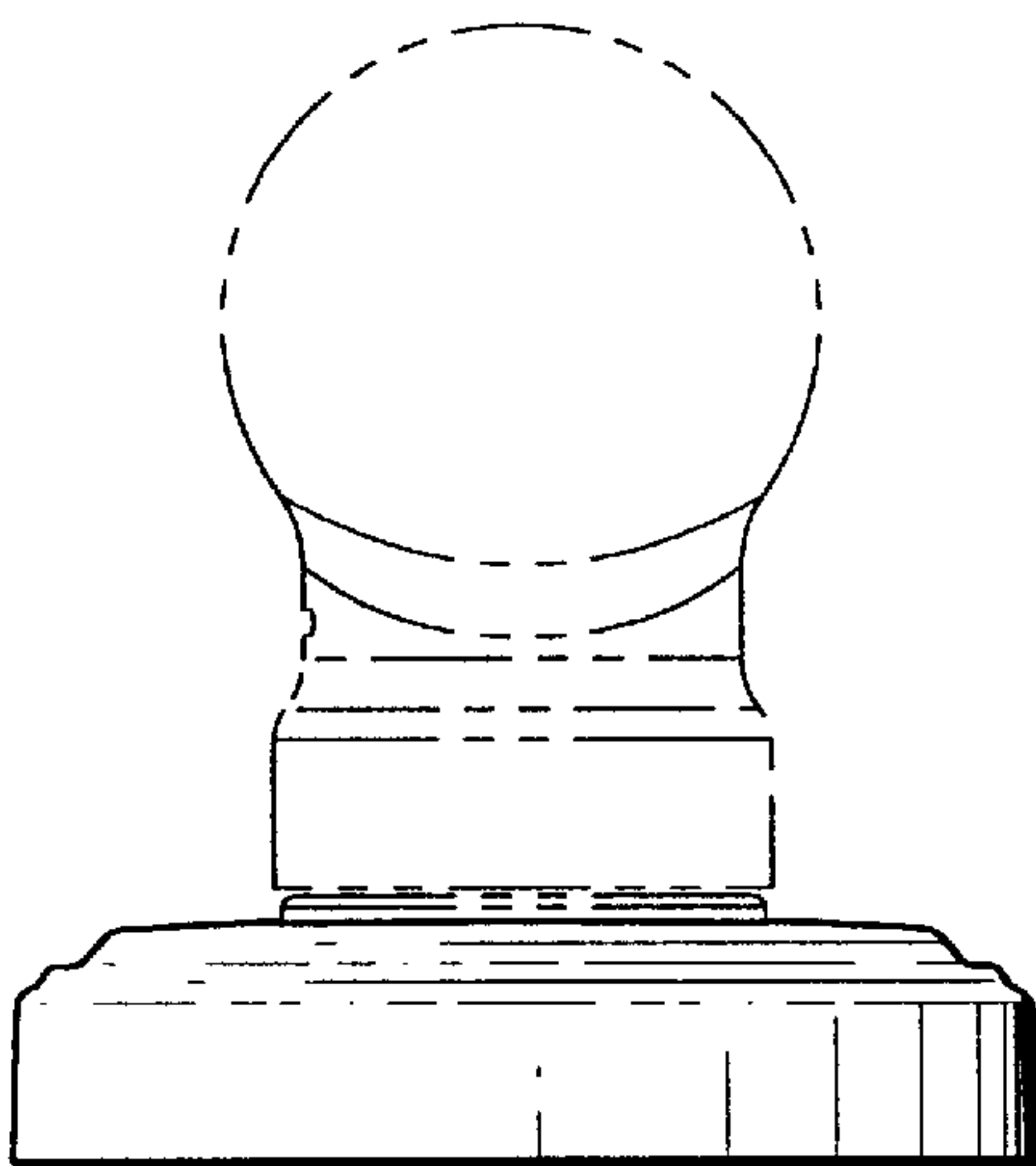


FIG. 4