



US00D453896S

(12) **United States Design Patent**
Hirai

(10) **Patent No.:** **US D453,896 S**

(45) **Date of Patent:** **** Feb. 26, 2002**

(54) **CUTTER KNIFE**

(75) **Inventor:** **Kikuji Hirai, Osaka (JP)**

(73) **Assignee:** **NT Incorporated, Osaka (JP)**

(**) **Term:** **14 Years**

(21) **Appl. No.:** **29/138,631**

(22) **Filed:** **Mar. 19, 2001**

(30) **Foreign Application Priority Data**

Nov. 21, 2000 (JP) 2000-033249

(51) **LOC (7) Cl. 08-03**

(52) **U.S. Cl. D8/99**

(58) **Field of Search D8/98, 99, 107;**
30/162, 125, 320, 335, 337

(56) **References Cited**

U.S. PATENT DOCUMENTS

D264,799 S	*	6/1982	Osada	D8/99
D264,802 S	*	6/1982	Osada	D8/99
D354,900 S	*	1/1995	Hirai	D8/99
5,502,896 A	*	4/1996	Chen	30/162
D386,959 S	*	12/1997	Okada	D8/99
D398,829 S	*	9/1998	Okada	D8/99

D399,114 S	*	10/1998	Okada	D8/99
D431,170 S	*	9/2000	Okaada	D8/99
D442,054 S	*	5/2001	Okada et al.	D8/99
D443,494 S	*	6/2001	Okada	D8/99

* cited by examiner

Primary Examiner—Philip S. Hyder

(74) *Attorney, Agent, or Firm*—Snider & Associates;
Ronald R. Snider

(57) **CLAIM**

The design for a cutter knife, as shown and described.

DESCRIPTION

FIG. 1 is a perspective view of the cutter knife as seen from a side where the blade and the slider are visible.

FIG. 2 is a side view of the cutter knife taken at the side where the slide is visible.

FIG. 3 is a rear view of the cutter knife.

FIG. 4 is a bottom view of the cutter knife.

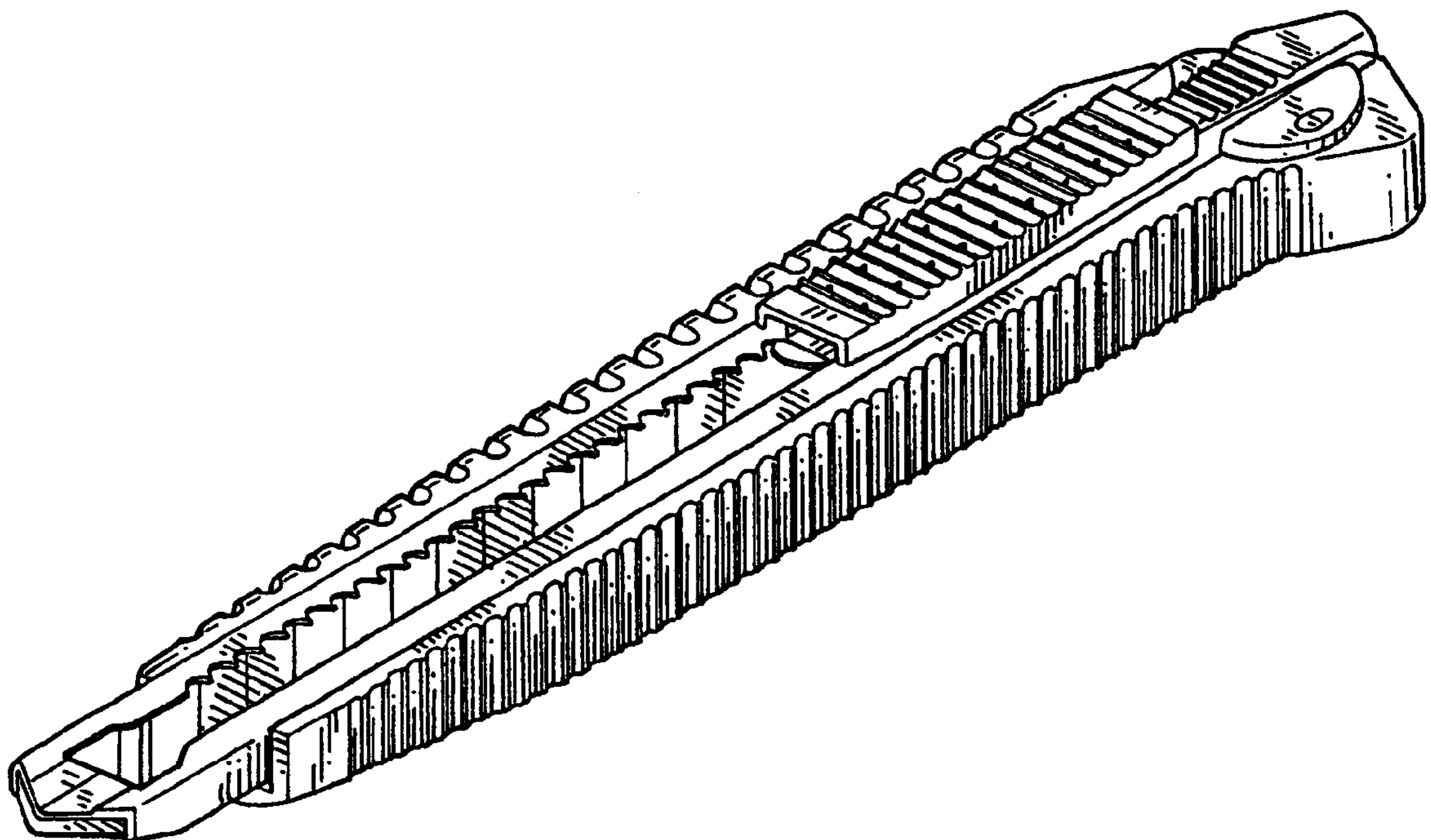
FIG. 5 is a top view of the cutter knife.

FIG. 6 is a front-end view of the cutter knife.

FIG. 7 is a rear end view of the cutter knife; and,

FIG. 8 is a perspective view of the cutter knife with the blade extended for cutting.

1 Claim, 5 Drawing Sheets



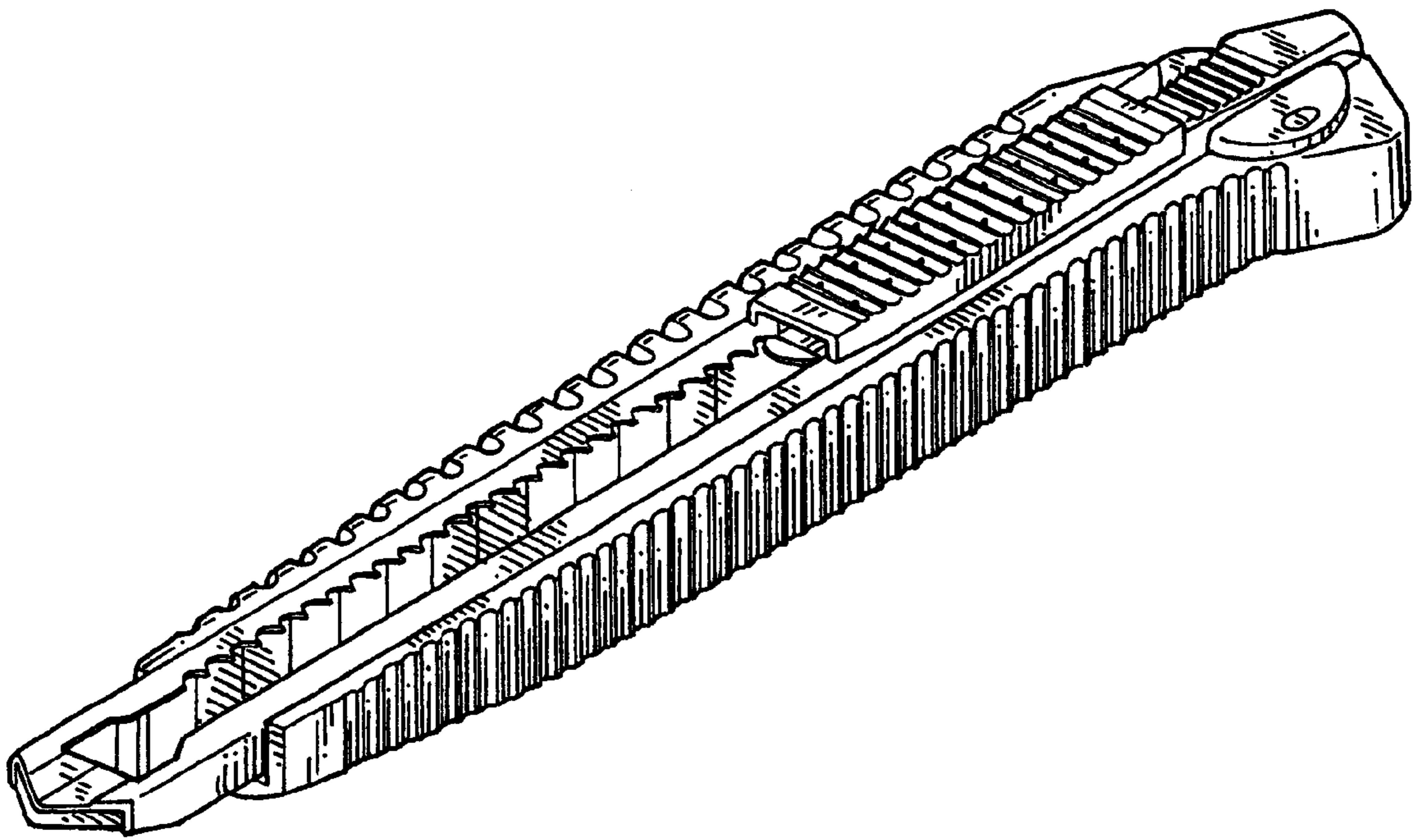


FIG. 1

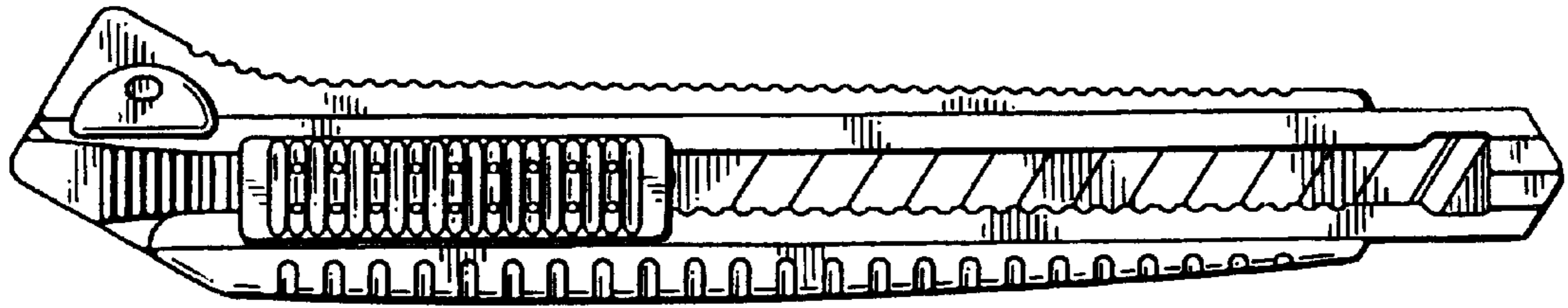


FIG. 2

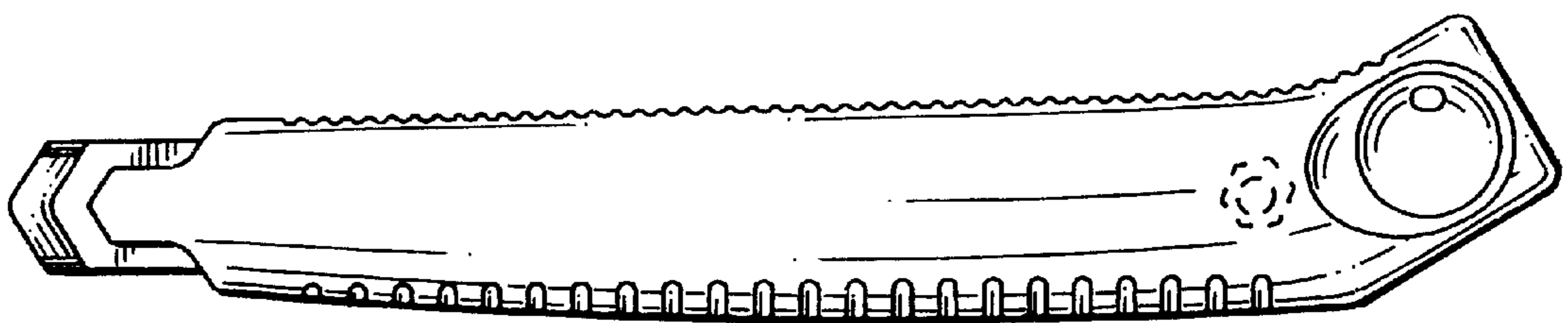


FIG. 3

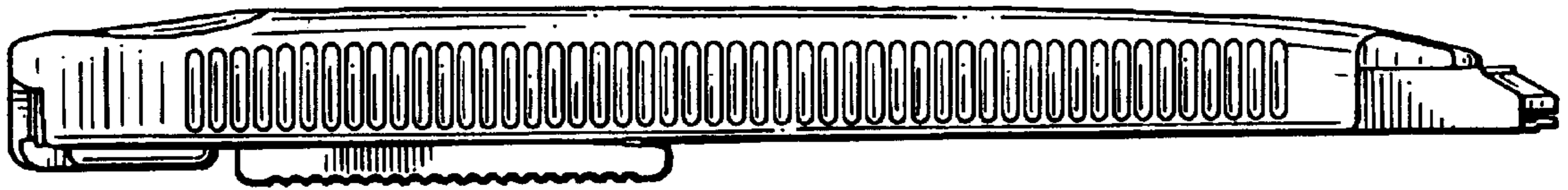


FIG. 4

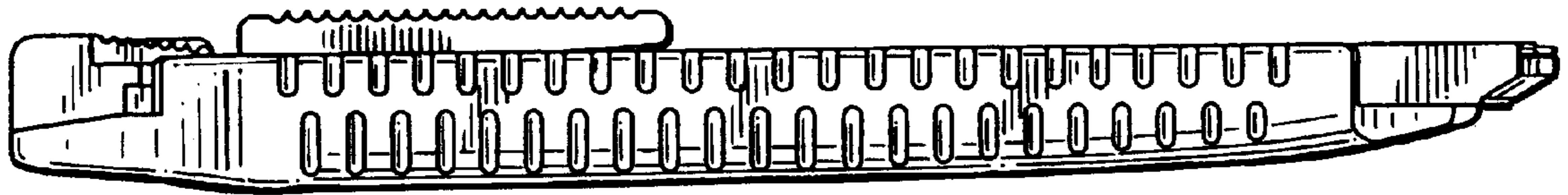


FIG. 5

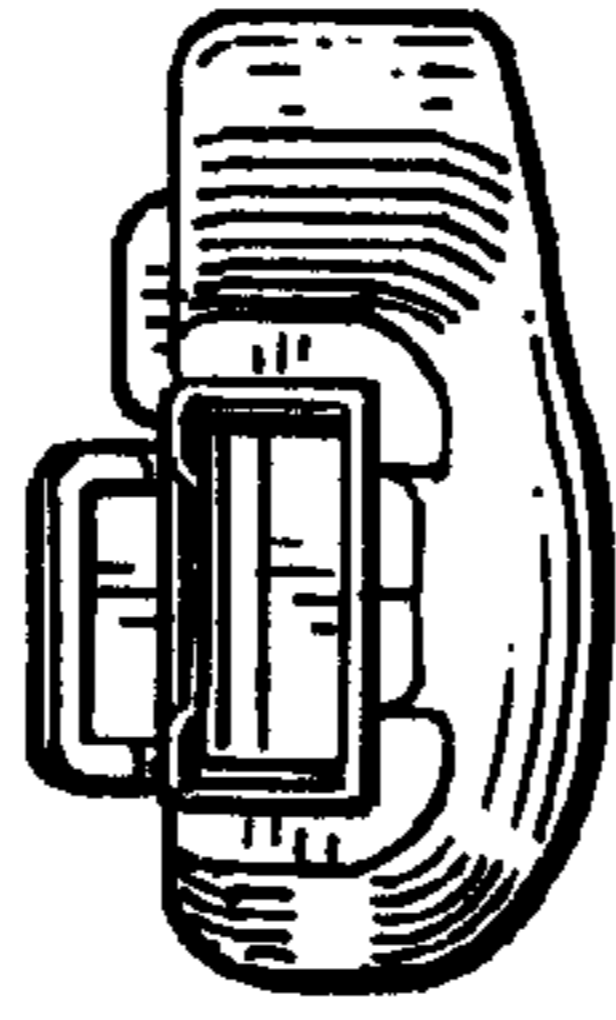


FIG. 6



FIG. 7

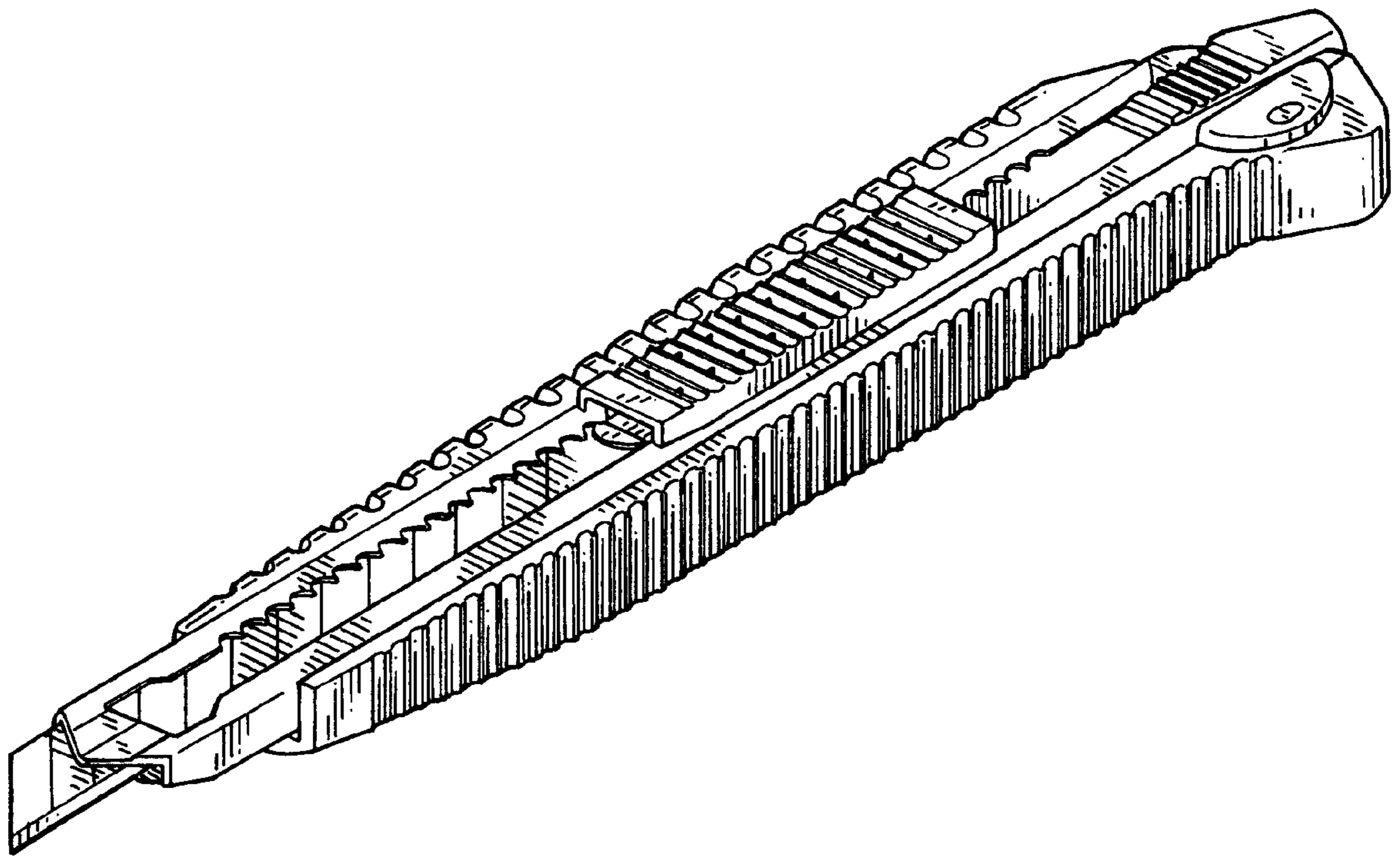


FIG. 8