



US00D453888S

(12) **United States Design Patent**
Gottwald

(10) **Patent No.: US D453,888 S**

(45) **Date of Patent: ** Feb. 26, 2002**

(54) **TOILET BRUSH AND HOLDER SET**

(75) **Inventor: Adolf Gottwald, Iserlohn (DE)**

(73) **Assignee: Friedrich Grohe AG & Co. KG,
Hemer (DE)**

(**) **Term: 14 Years**

(21) **Appl. No.: 29/142,600**

(22) **Filed: May 30, 2001**

(30) **Foreign Application Priority Data**

Dec. 1, 2000 (DE) 400 11 471

(51) **LOC (7) Cl. 06-04**

(52) **U.S. Cl. D6/551**

(58) **Field of Search D6/524, 551; 211/13.1,
211/60.1, 70, 71, 86-88; 206/207, 209**

(56) **References Cited**

U.S. PATENT DOCUMENTS

D272,874 S * 3/1984 Cohen D6/551

D404,951 S * 2/1999 Zawalsky D6/551

6,038,709 A * 3/2000 Kent D6/551 X

D433,859 S * 11/2000 Fiegl et al. D6/551

* cited by examiner

Primary Examiner—Brian N. Vinson

(74) *Attorney, Agent, or Firm*—Herbert Dubno

(57) **CLAIM**

The ornamental design for a toilet brush and holder set, as shown and described.

DESCRIPTION

FIG. 1 is a top, front, left-side perspective view of a toilet brush and holder set showing my new design;

FIG. 2 is a left side elevational view thereof, the right side elevational view being mirror symmetrical thereto;

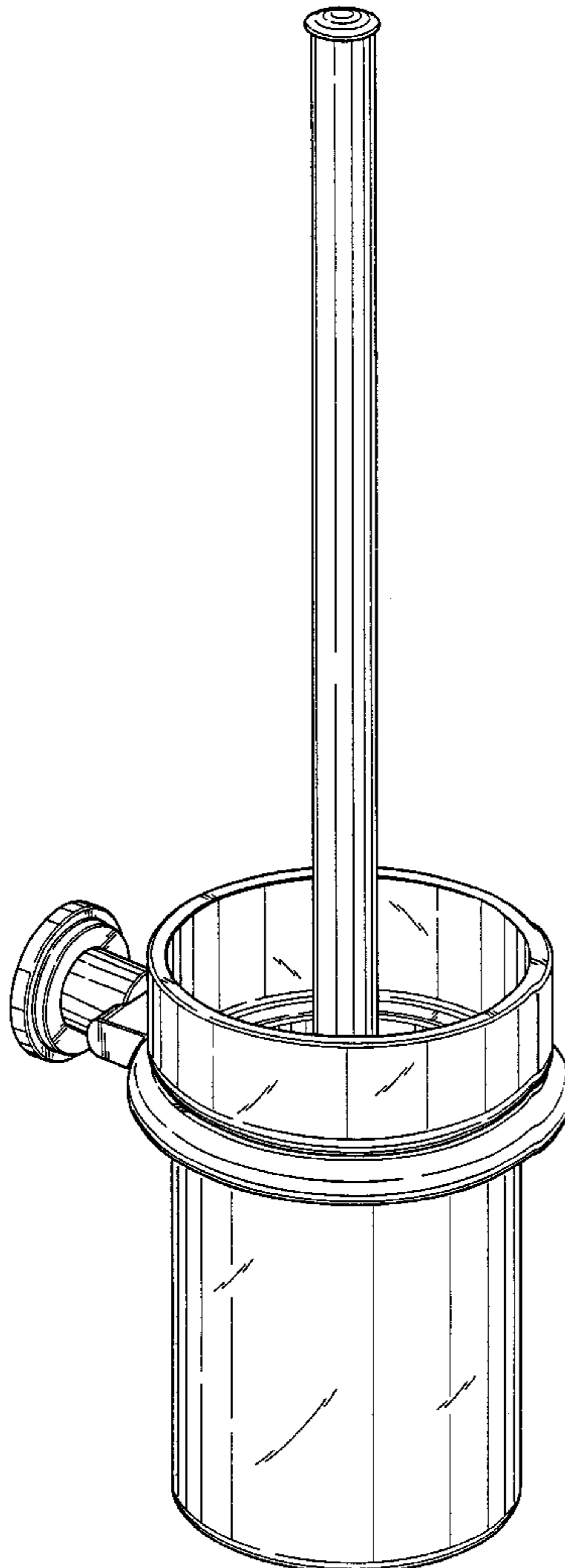
FIG. 3 is a rear elevational view thereof;

FIG. 4 is a front elevational view thereof;

FIG. 5 is a top plan view thereof; and,

FIG. 6 is a bottom plan view thereof.

1 Claim, 4 Drawing Sheets



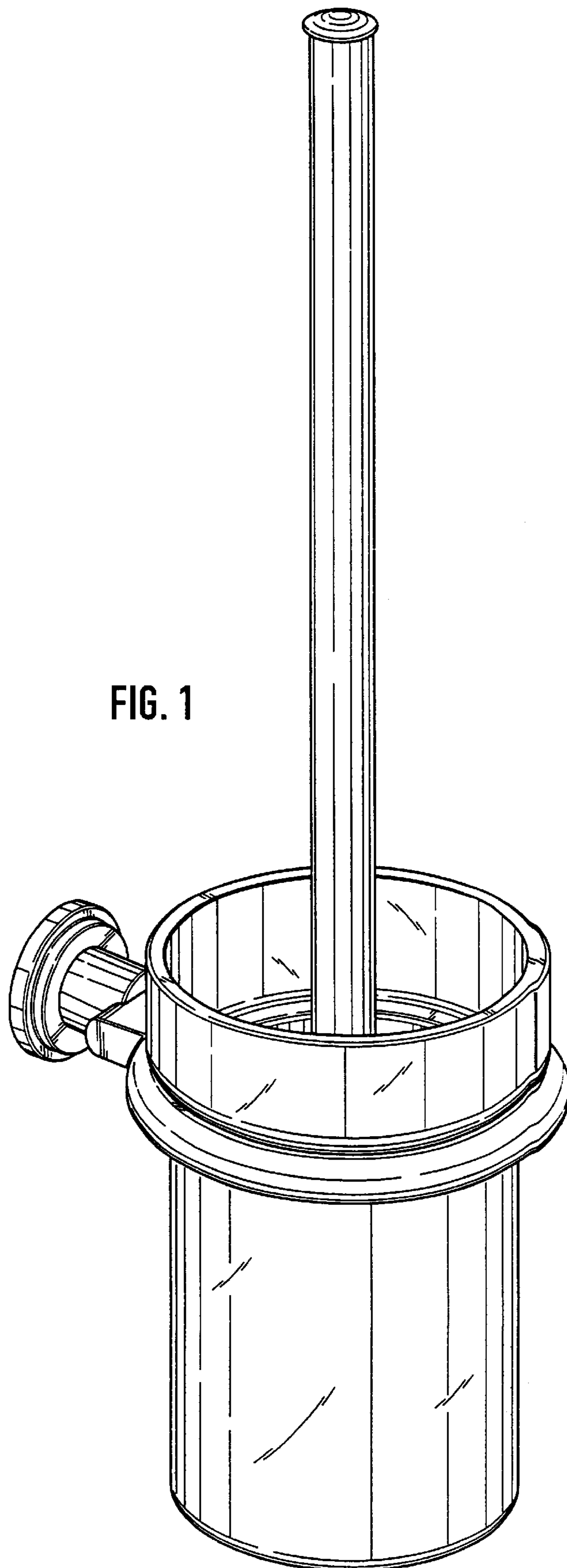


FIG. 1

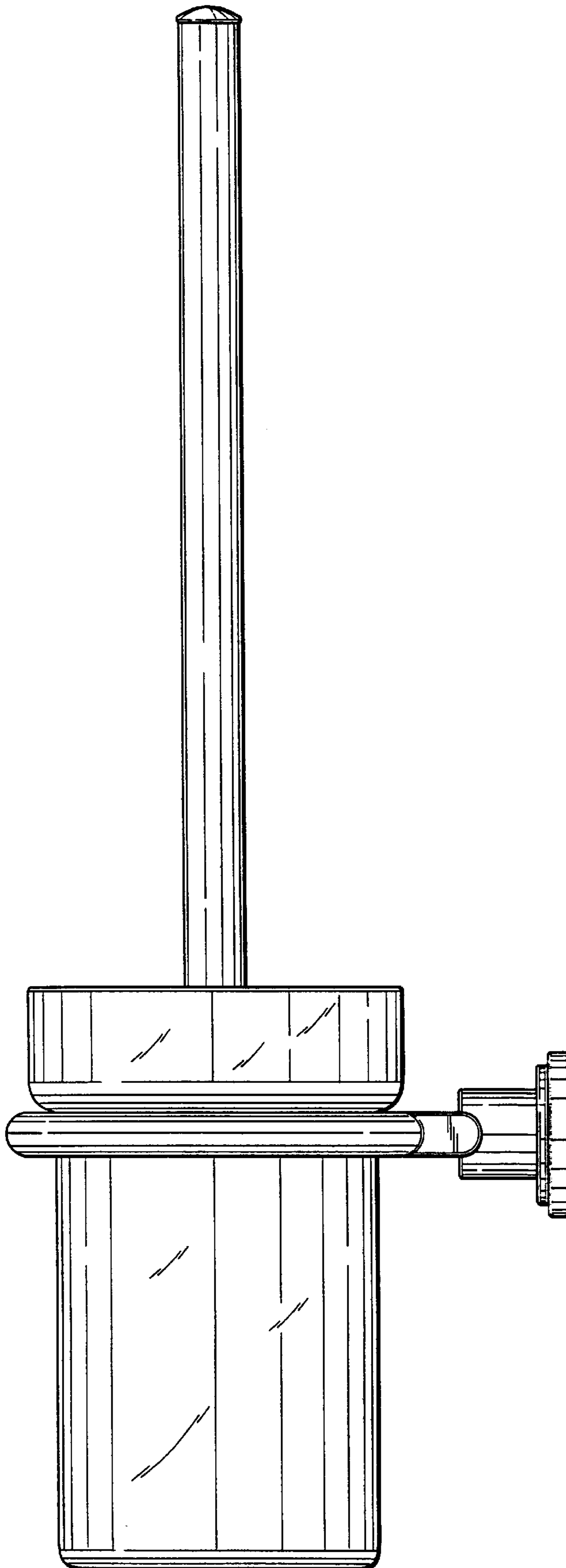


FIG. 2

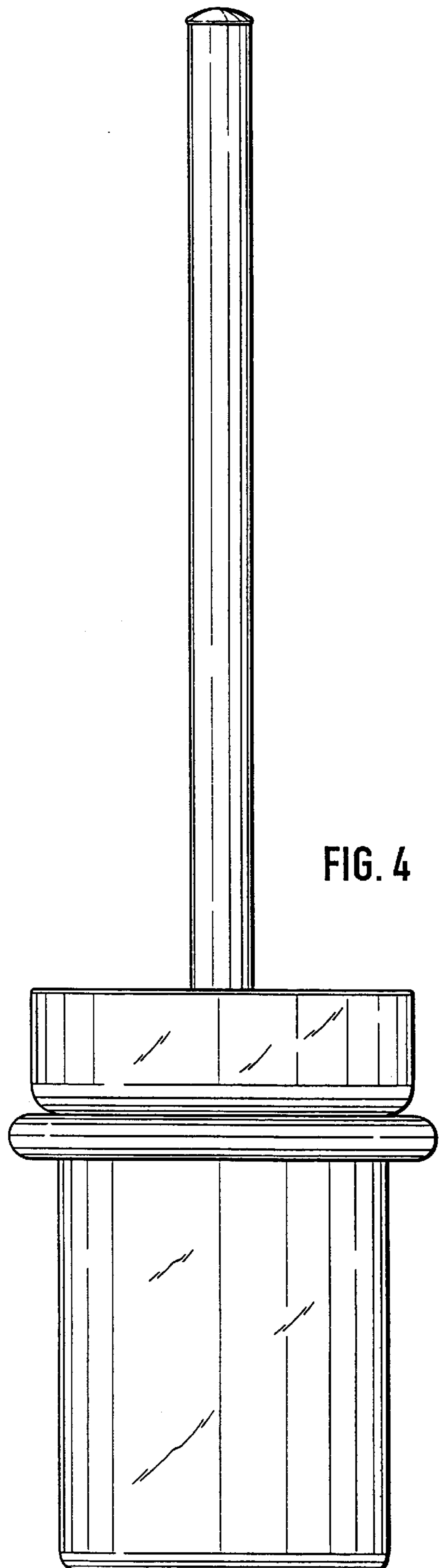
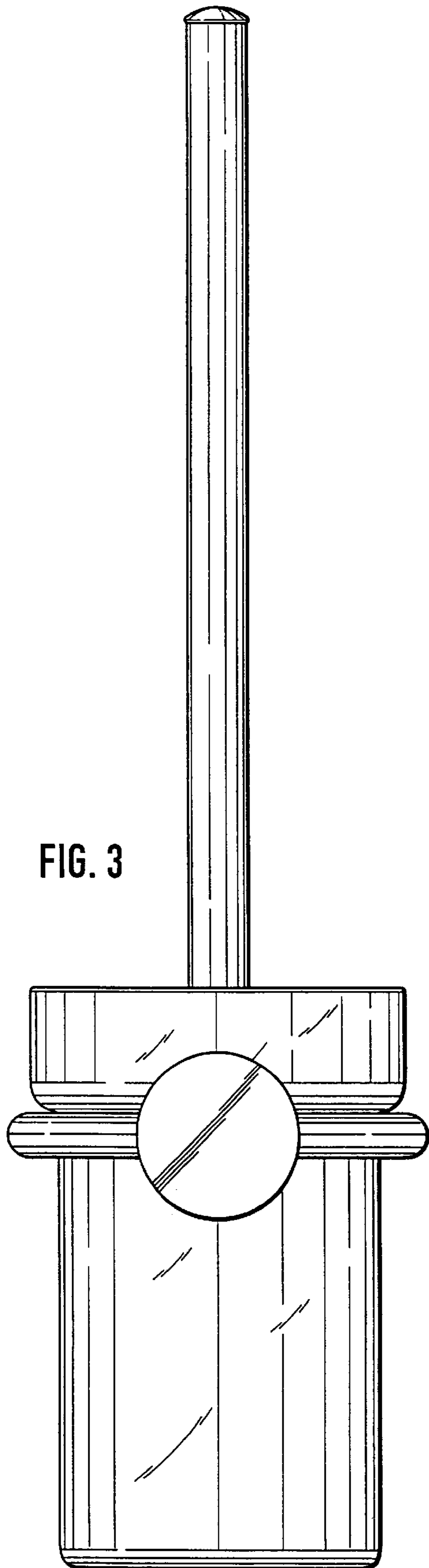


FIG. 5

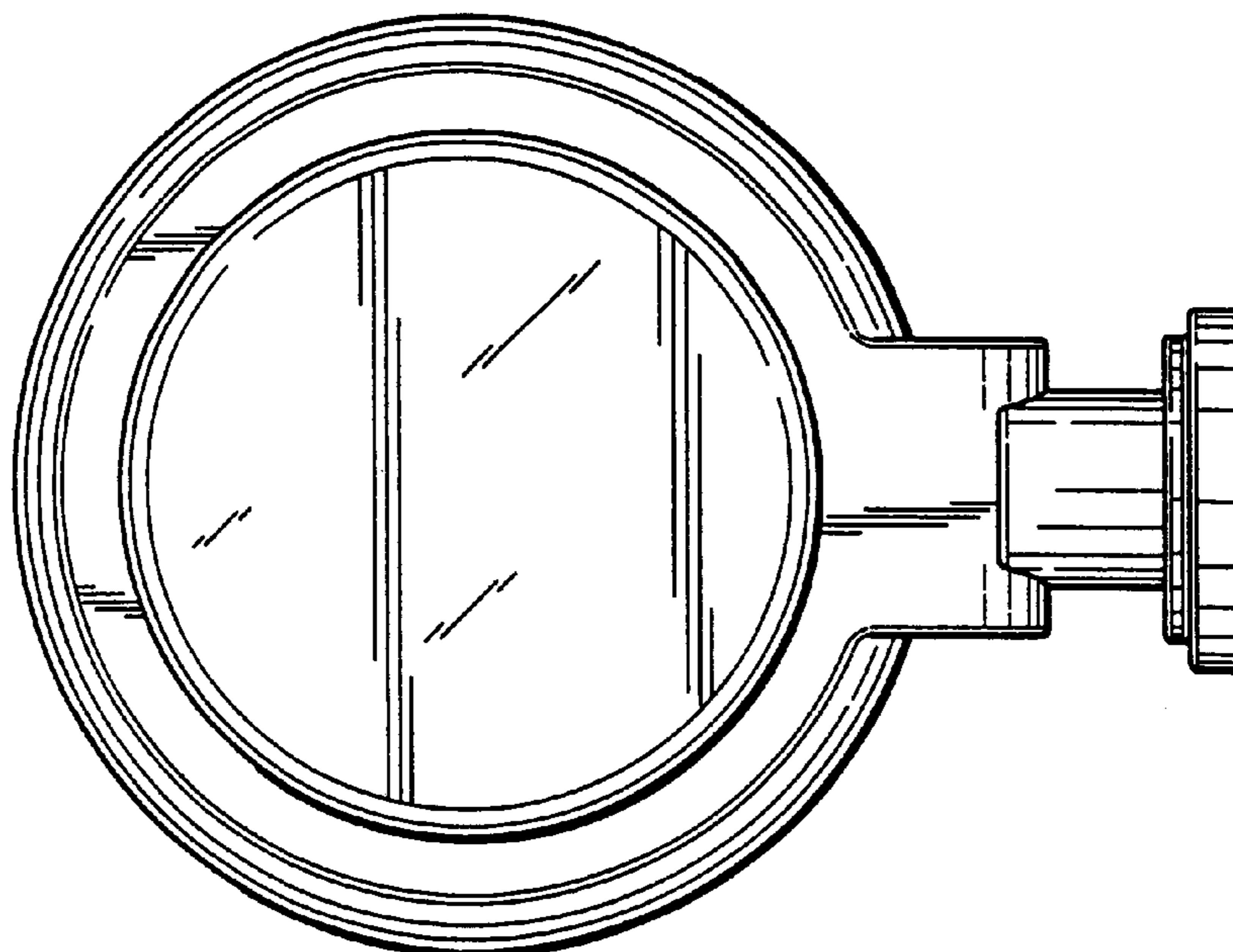
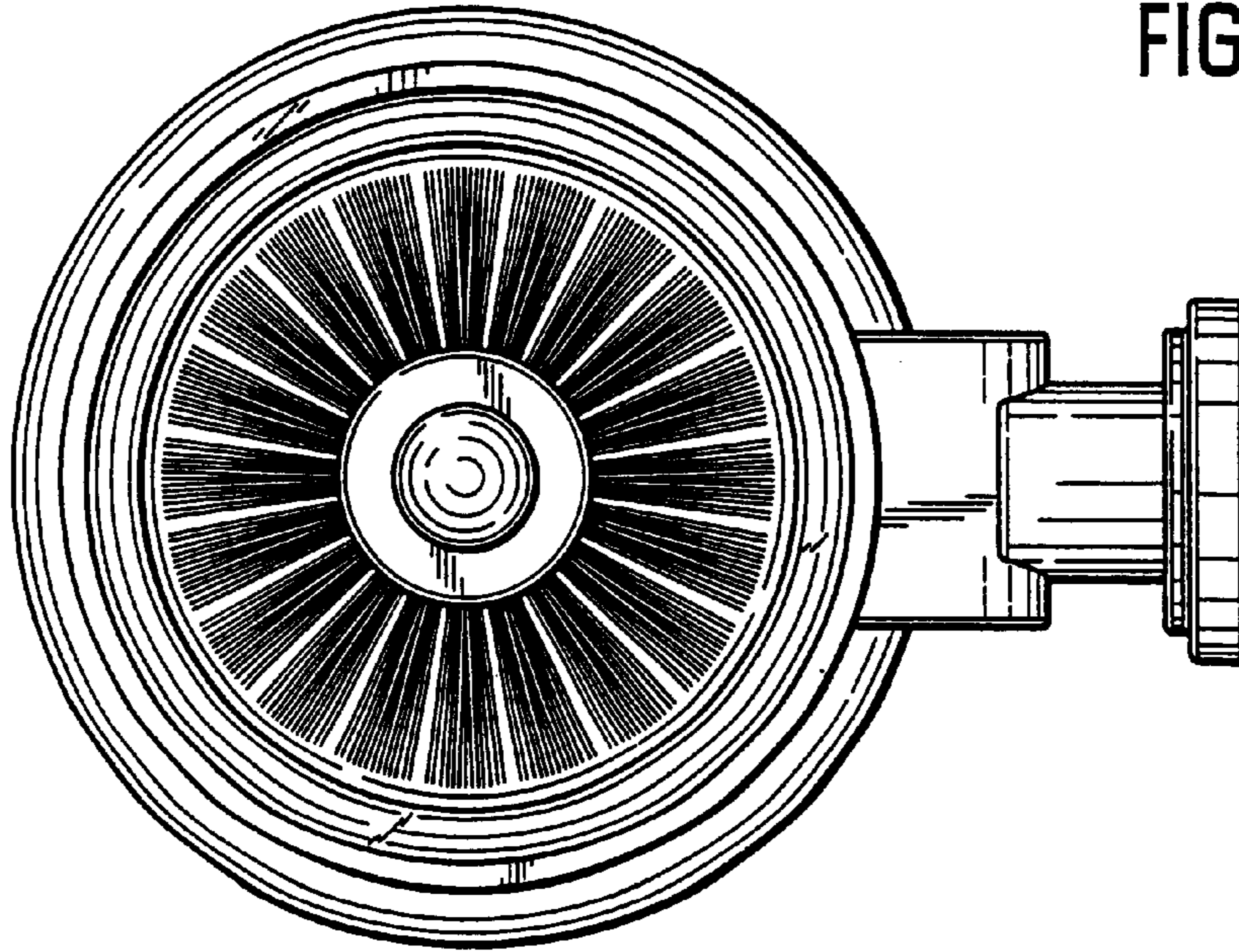


FIG. 6