



US00D453887S

(12) **United States Design Patent**  
**Meck et al.**

(10) **Patent No.:** **US D453,887 S**

(45) **Date of Patent:** **\*\* Feb. 26, 2002**

(54) **DOUBLE TOWEL BAR**

D406,484 S \* 3/1999 Wu ..... D6/566

(75) Inventors: **Leslie A. Meck**, Fleetwood; **Randy S. Cramer**, Lebanon; **Daniel J. Roche**, Wyomissing; **Renee K. Chesler**, Royersford, all of PA (US)

**OTHER PUBLICATIONS**

Smedbo "Villa Bath" Catalogue p. 4 Double Towel Bar K236.\*

\* cited by examiner

(73) Assignee: **Baldwin Hardware Corporation**, Reading, PA (US)

*Primary Examiner*—Brian N. Vinson

(\*\*) Term: **14 Years**

(74) *Attorney, Agent, or Firm*—Myron B. Kapustij; Lloyd D. Doigan

(21) Appl. No.: **29/131,761**

(57) **CLAIM**

(22) Filed: **Oct. 27, 2000**

The ornamental design for a double towel bar, as shown and described.

(51) **LOC (7) Cl.** ..... **08-08**

**DESCRIPTION**

(52) **U.S. Cl.** ..... **D6/548**; D6/549

(58) **Field of Search** ..... D6/546-50, 518, D6/522-24; D8/300, 315-21, 354, 363, 373, 380; 108/28-29; 211/13.1, 16, 60.1, 86.01, 87.01, 88.04, 100, 105.1-105.2, 123, 181.1, 182; 248/175, 176.1, 251, 302; 16/110.1, 412, 415; 242/570, 590, 595-598; 206/389

FIG. 1 is a top perspective view of a double towel bar showing our new design;

FIG. 2 is a front elevational view thereof;

FIG. 3 is a top plan view thereof;

FIG. 4 is a bottom plan view thereof;

FIG. 5 is a left side elevational view thereof;

FIG. 6 is a right side elevational view thereof; and,

FIG. 7 is a rear elevational view thereof.

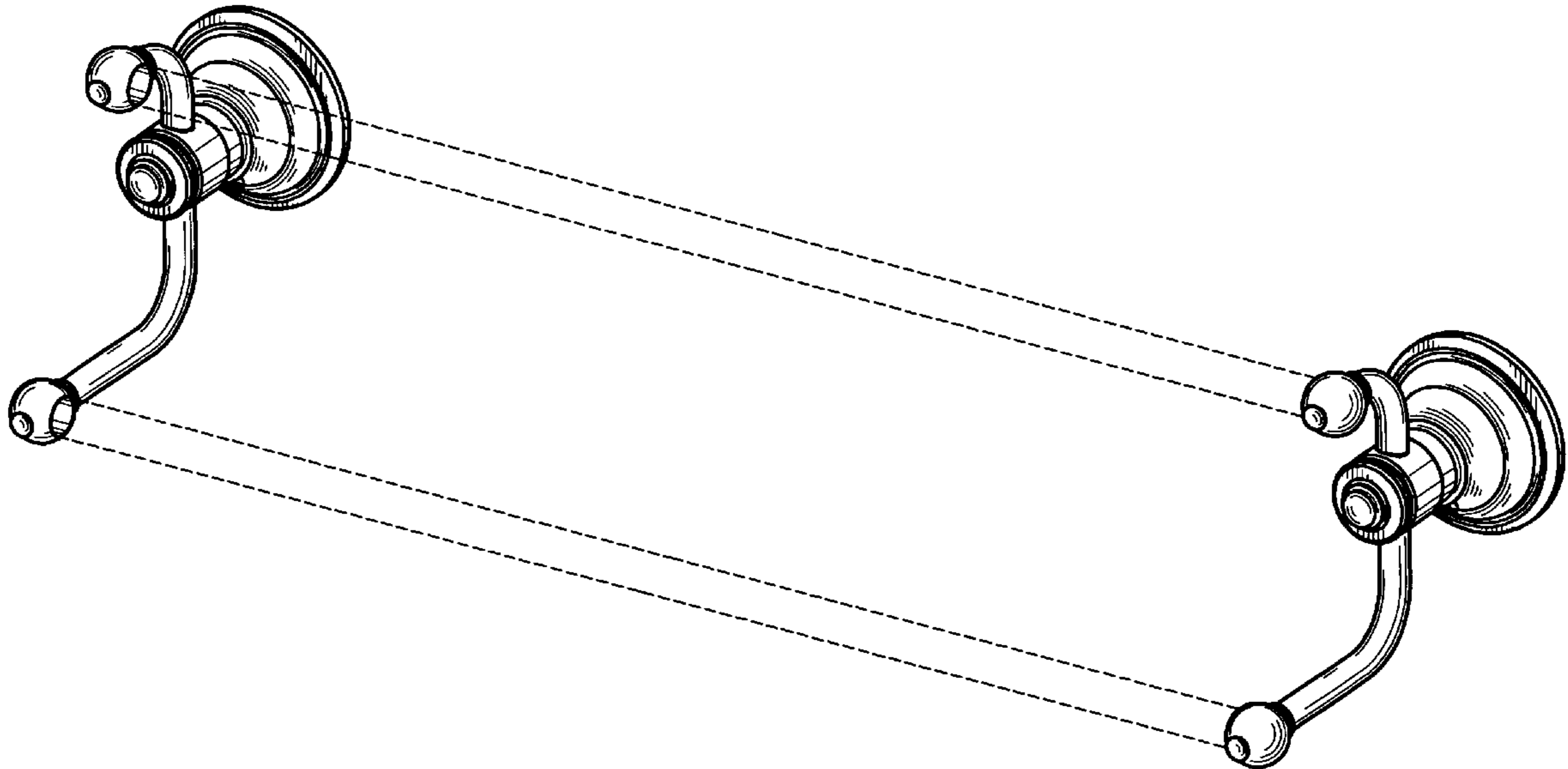
The broken line showing of the set screws in FIG. 4 and of the two cylindrical cross bars in FIGS. 1-4 and 7 are for purposes of illustration only and form no part of the claimed design.

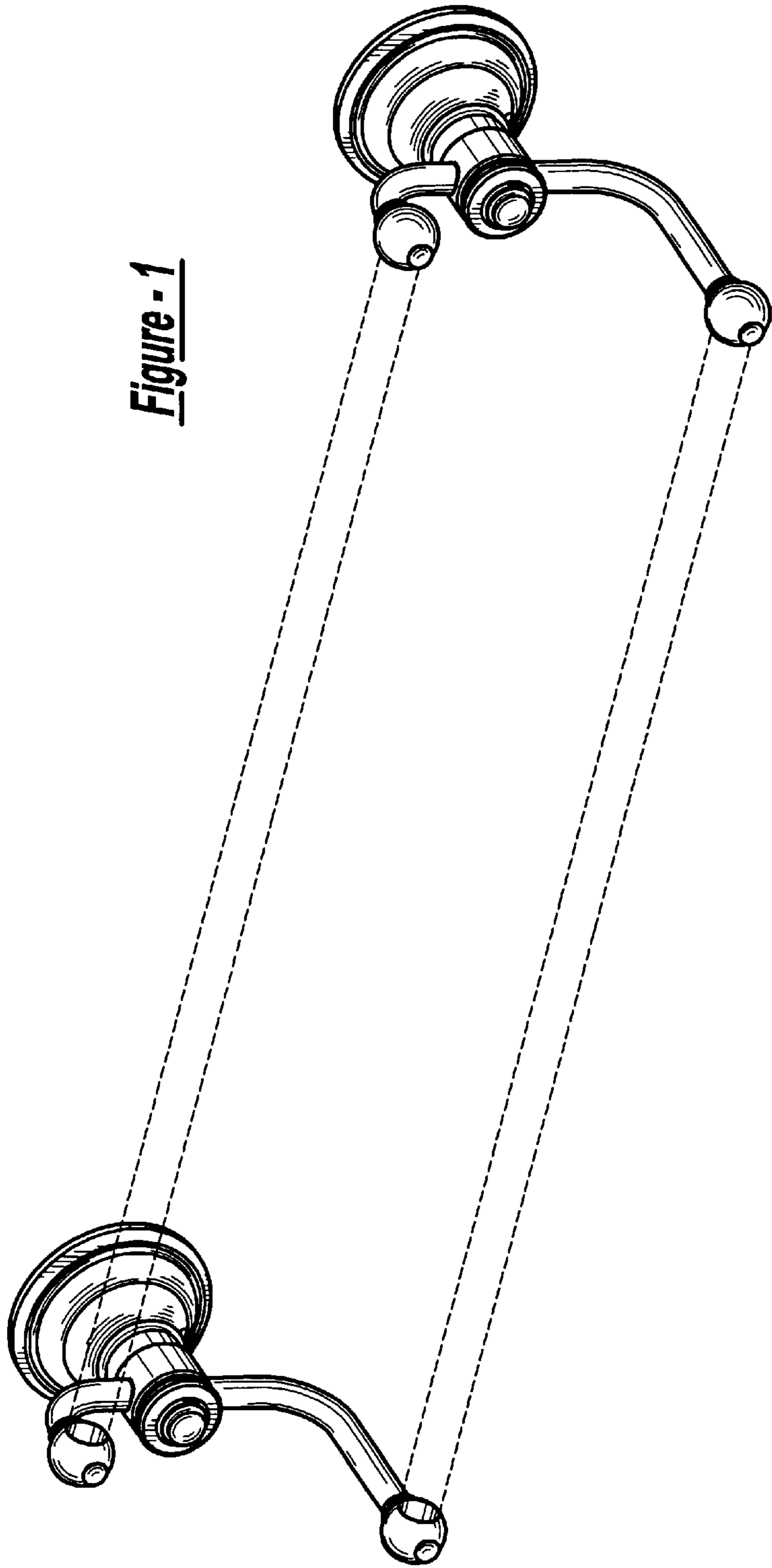
(56) **References Cited**

**U.S. PATENT DOCUMENTS**

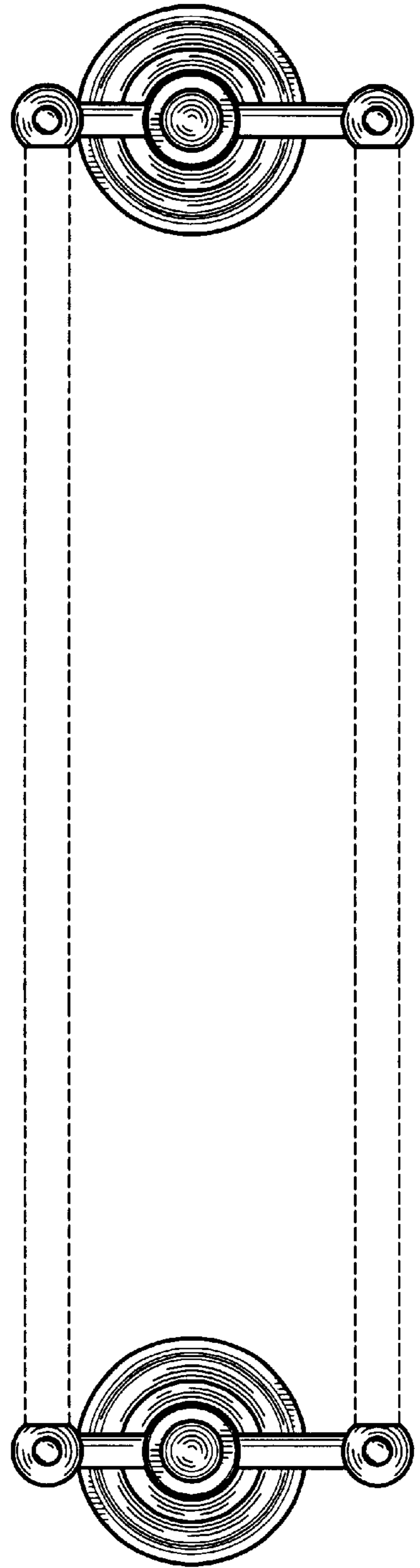
2,315,566 A \* 4/1943 Watral et al. .... 211/123 X  
D327,598 S \* 7/1992 Emery ..... D6/549  
D392,138 S \* 3/1998 Wu ..... D6/549

**1 Claim, 4 Drawing Sheets**





**Figure - 1**



**Figure - 2**

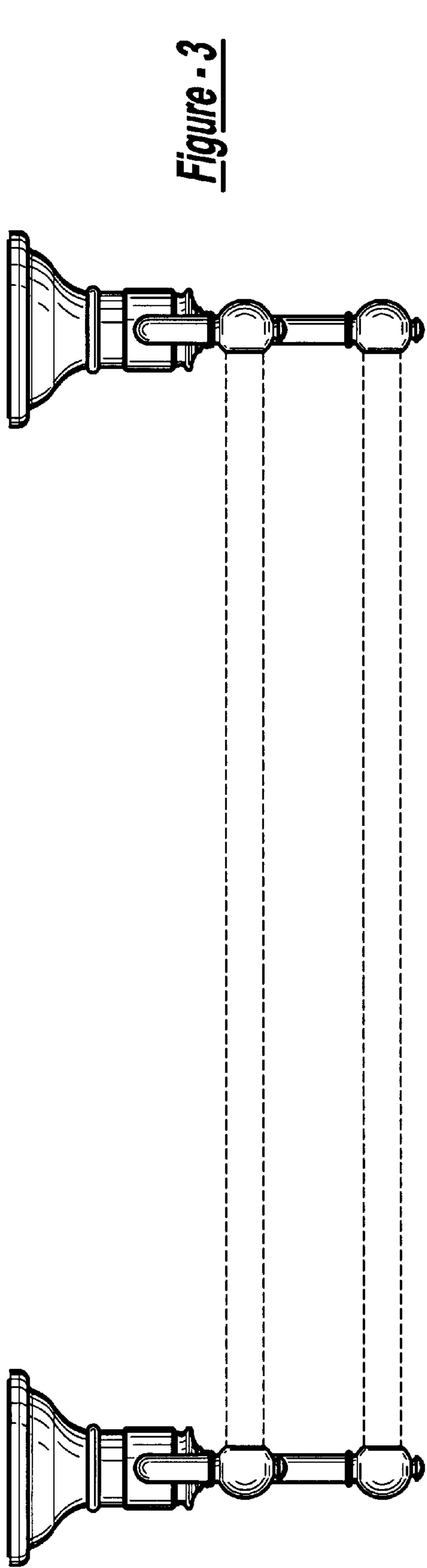


Figure - 3

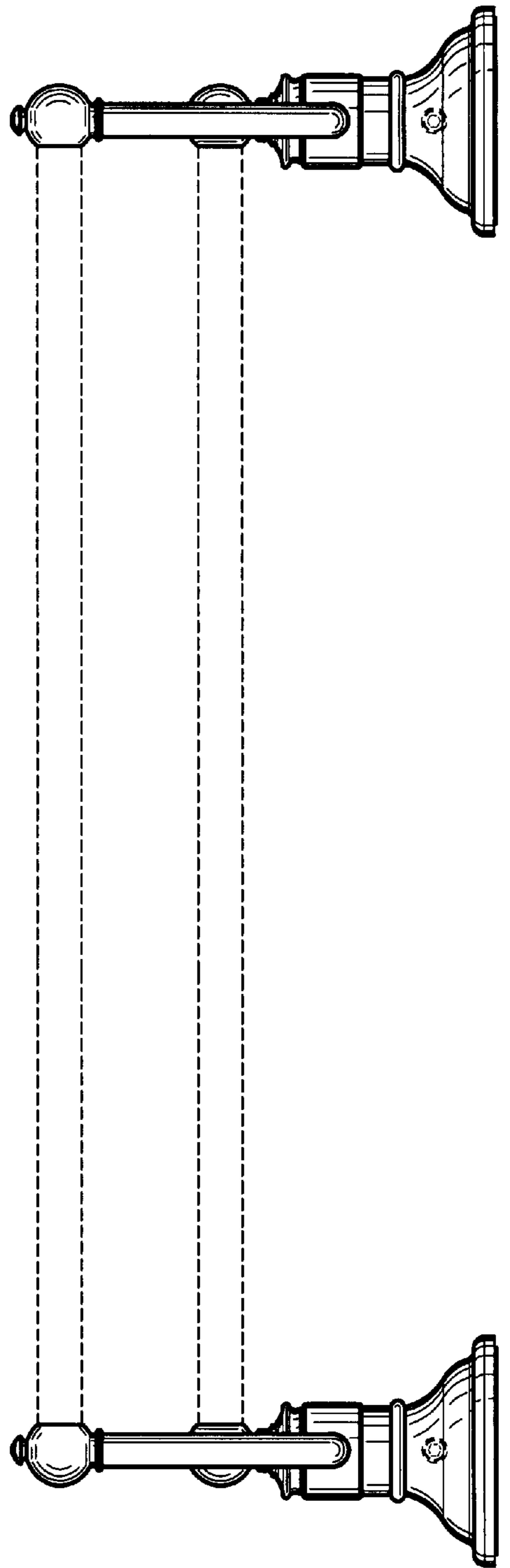


Figure - 4

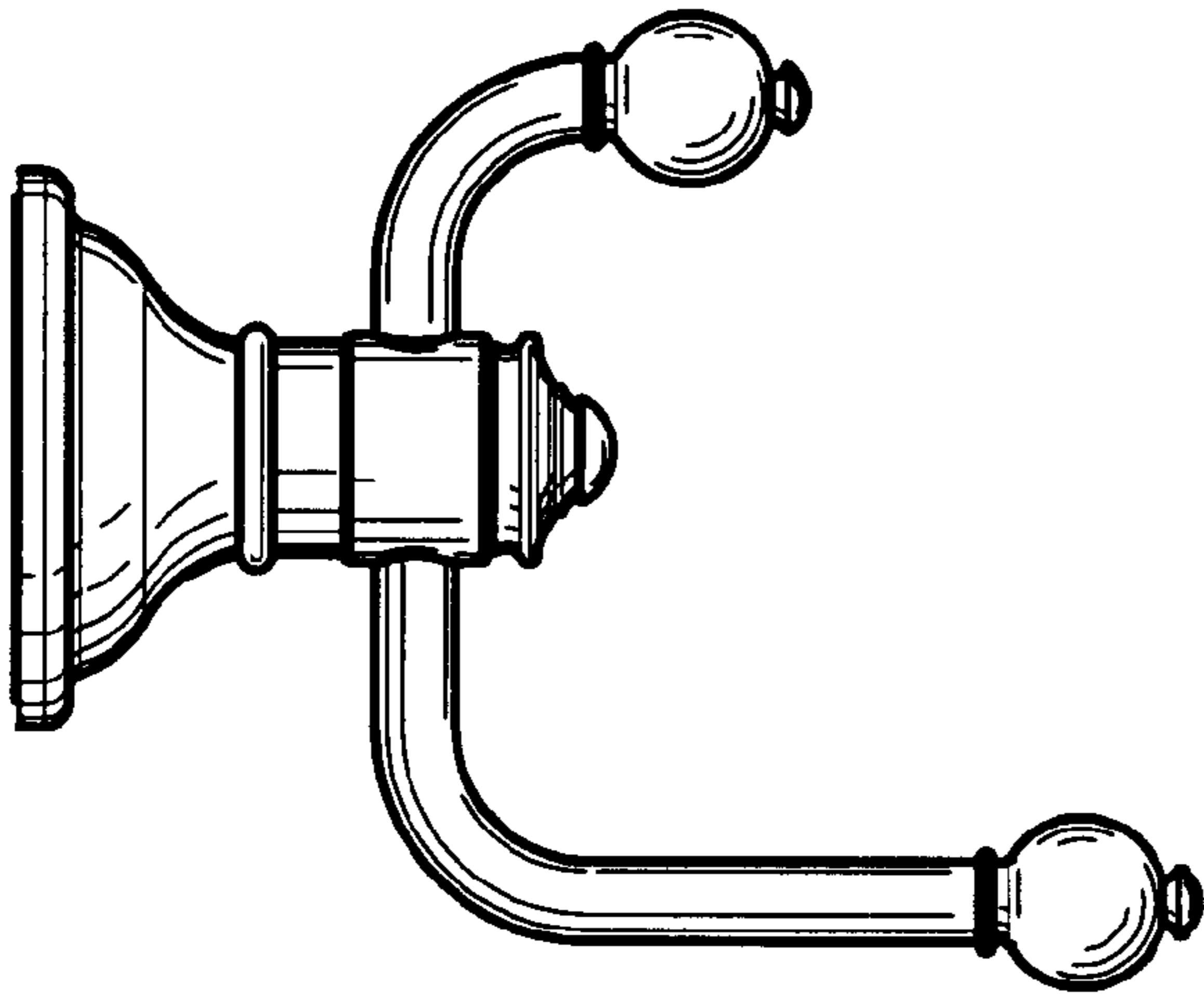


Figure - 5

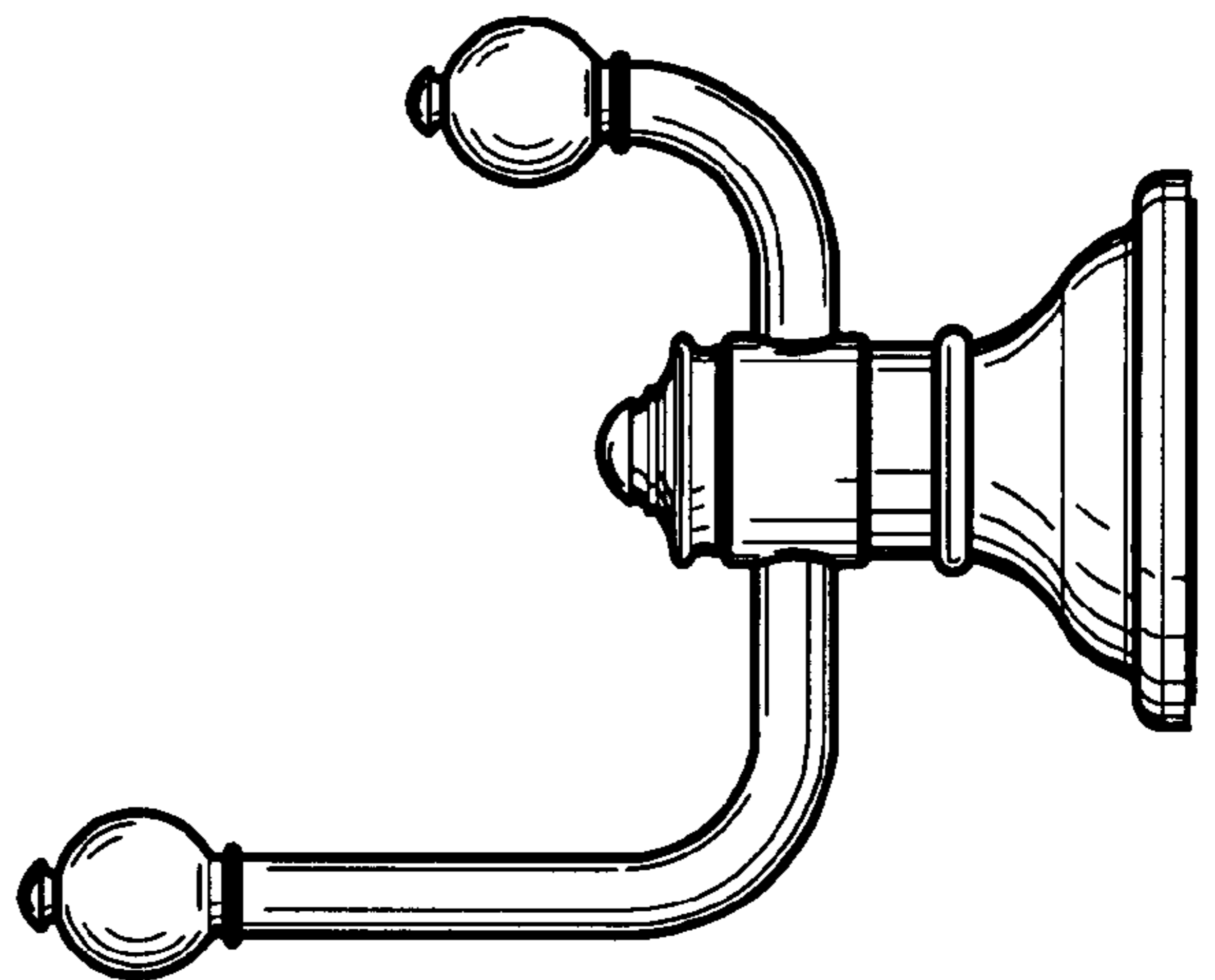
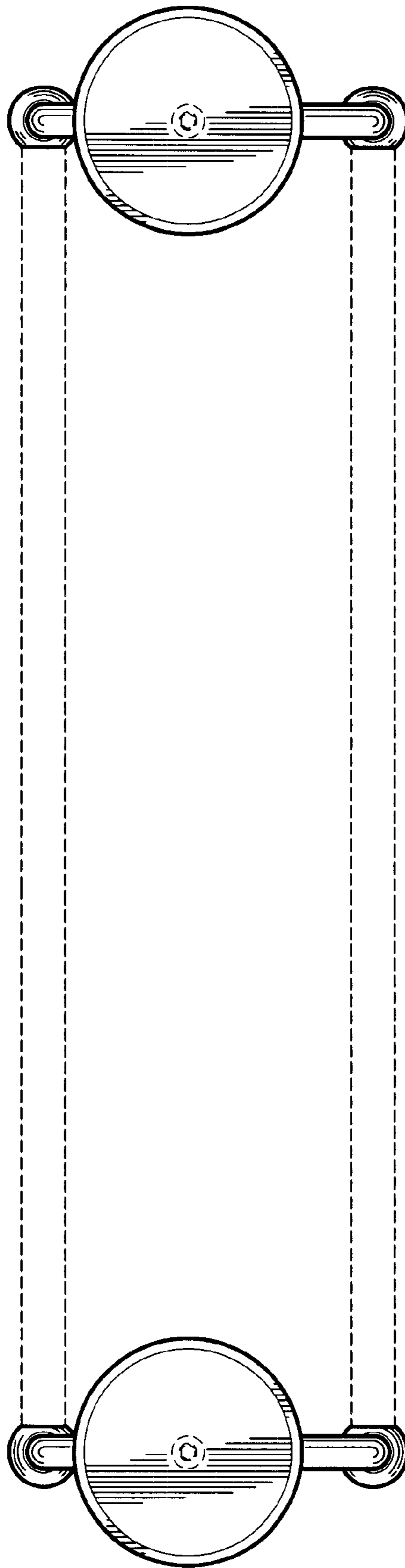


Figure - 6



**Figure - 7**