



US00D453884S

(12) **United States Design Patent**
Wang

(10) **Patent No.:** **US D453,884 S**

(45) **Date of Patent:** **** Feb. 26, 2002**

(54) **LONG-HANDLED SPRAY GUN DISPLAY**

5,617,960 A * 4/1997 Bishop 211/60.1

(76) Inventor: **King-Yuan Wang**, No.1, Lane 288,
Sec. 1, Lu Kang Chen, Changhua Hsien
(TW)

* cited by examiner

Primary Examiner—Cathron C. Brooks

(74) *Attorney, Agent, or Firm*—Troxell Law Office PLLC

(**) Term: **14 Years**

(57) **CLAIM**

(21) Appl. No.: **29/133,905**

The ornamental design for “long-handled spray gun display”, as shown and described.

(22) Filed: **Dec. 6, 2000**

DESCRIPTION

(51) **LOC (7) Cl.** **06-04**

FIG. 1 is a perspective view of long-handled spray gun display showing my new design;

(52) **U.S. Cl.** **D6/469; D6/476**

FIG. 2 is a front view thereof;

(58) **Field of Search** D6/396, 411, 413,

FIG. 3 is a rear view thereof;

D6/416, 449, 466, 467, 469, 475, 476;

FIG. 4 is a left and right side view thereof;

D23/403, 407; 211/60.1, 62; 248/75, 79,

FIG. 5 is top view thereof; and

80, 89

FIG. 6 is a bottom view thereof; and,

(56) **References Cited**

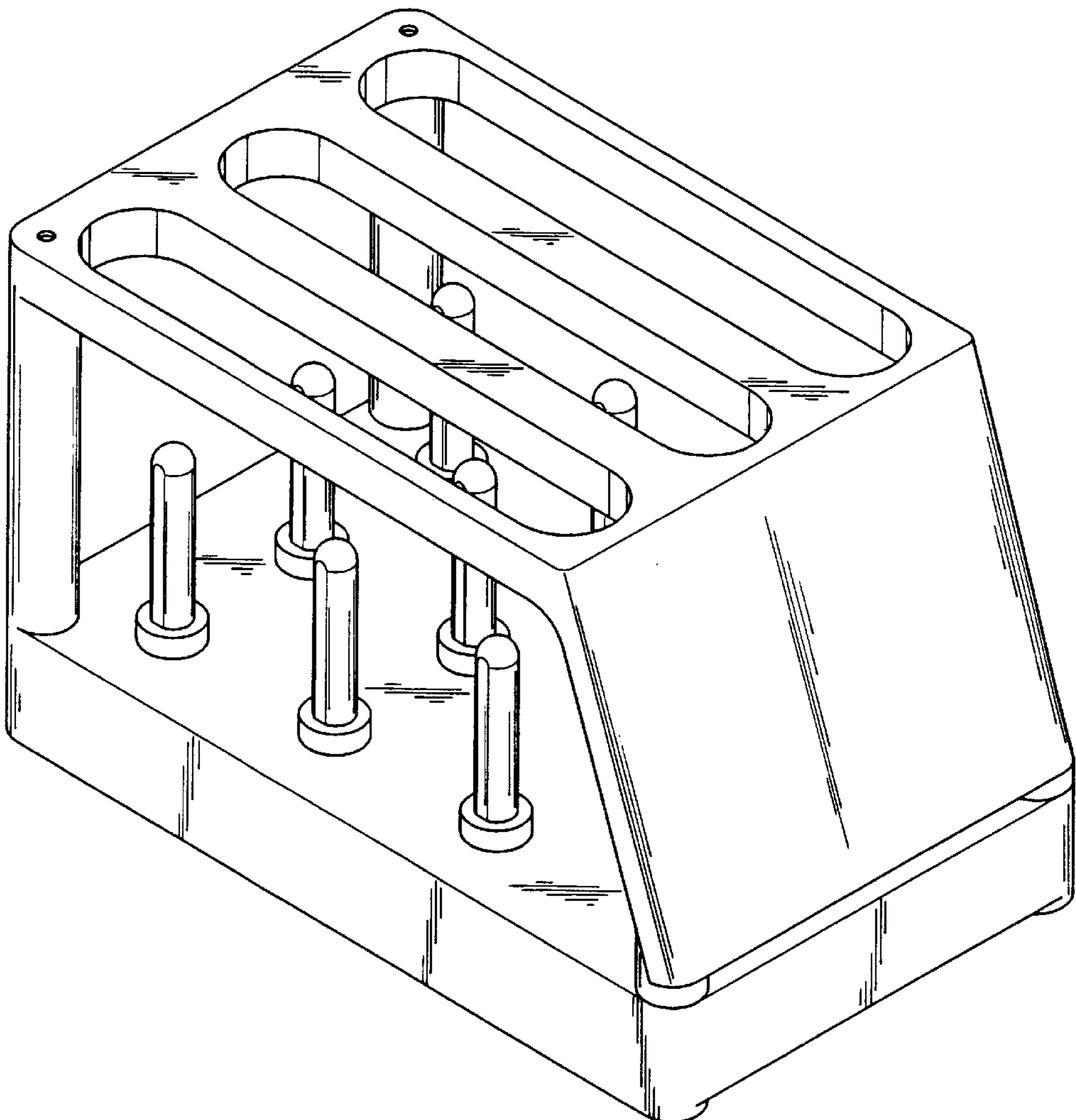
FIG. 7 is a perspective view thereof, showing a long-handled spray gun in broken lines for illustrative purposes only and forming no part of the claimed design.

U.S. PATENT DOCUMENTS

D233,086 S * 10/1974 Gismondi D6/416

4,947,984 A * 8/1990 Kaufman et al. 211/60.1 X

1 Claim, 5 Drawing Sheets



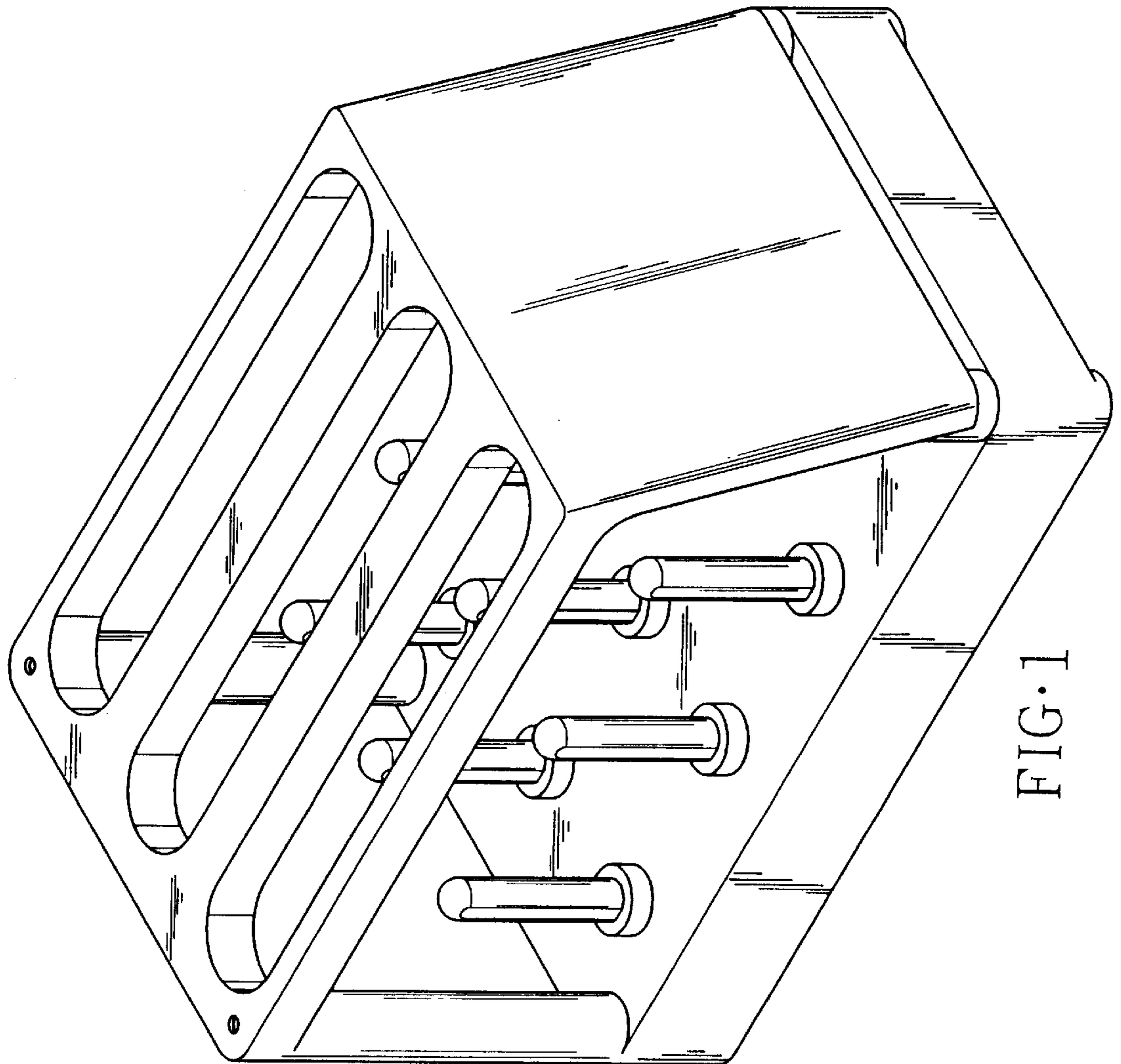


FIG. 1

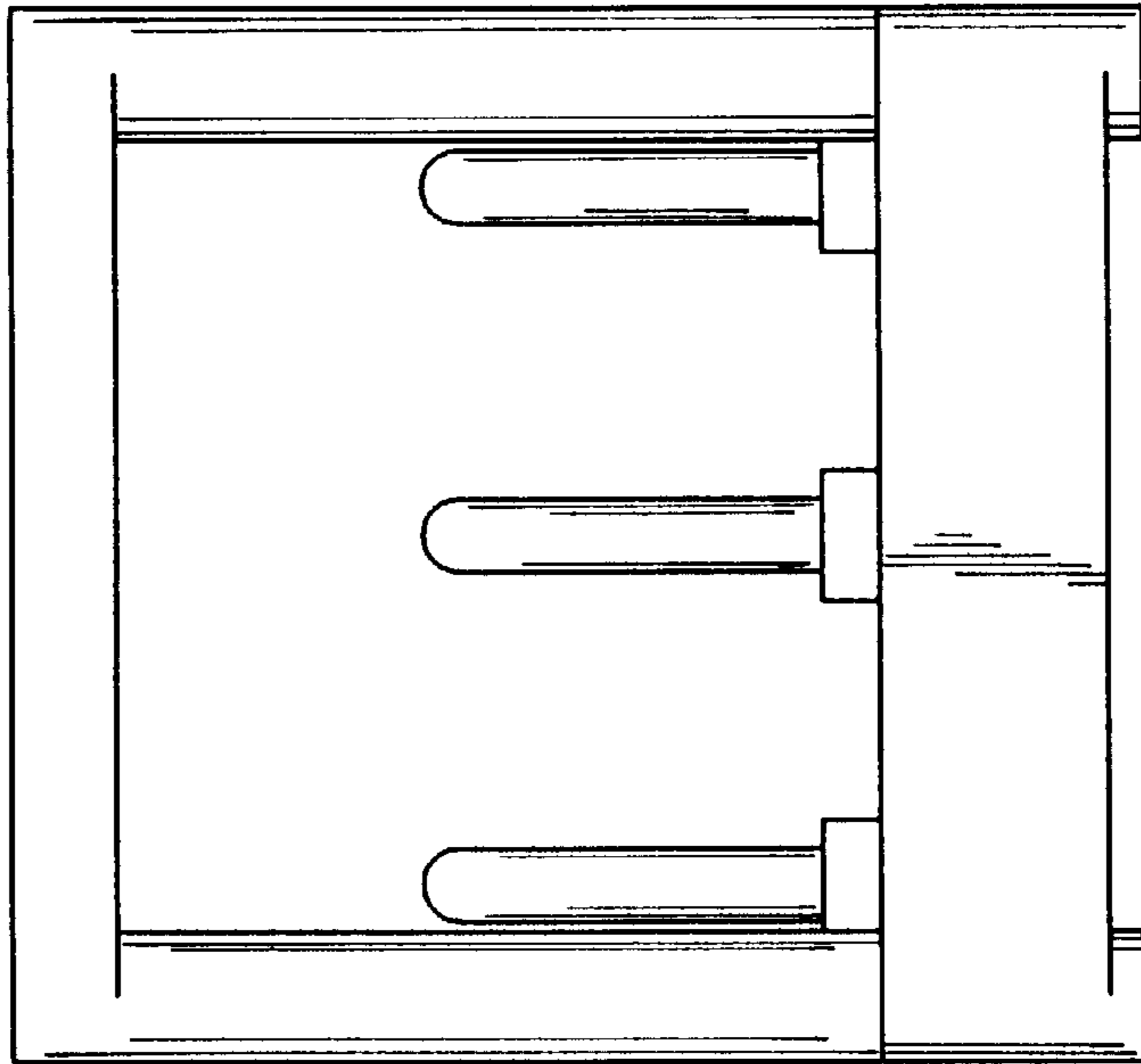


FIG. 3

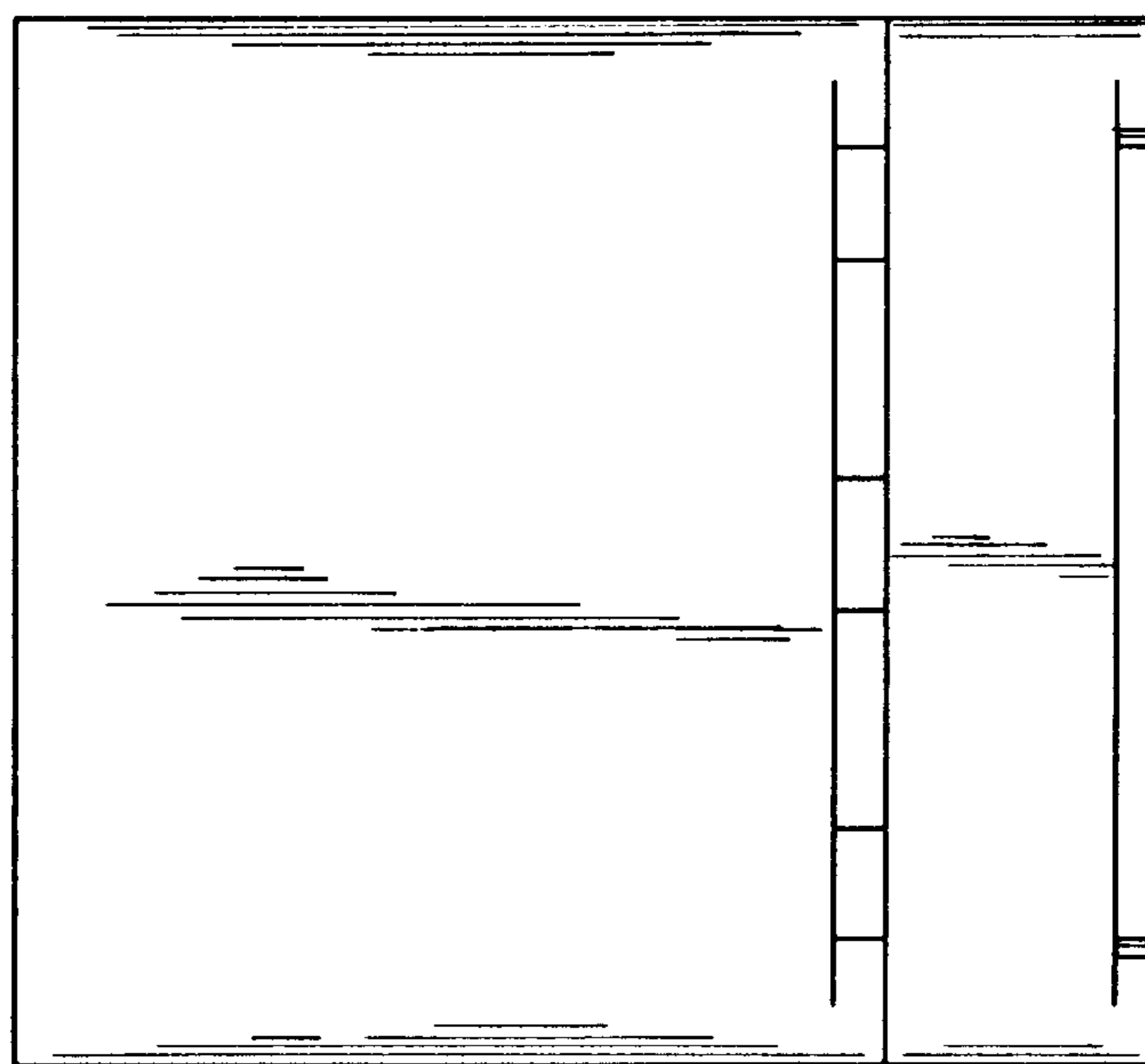


FIG. 2

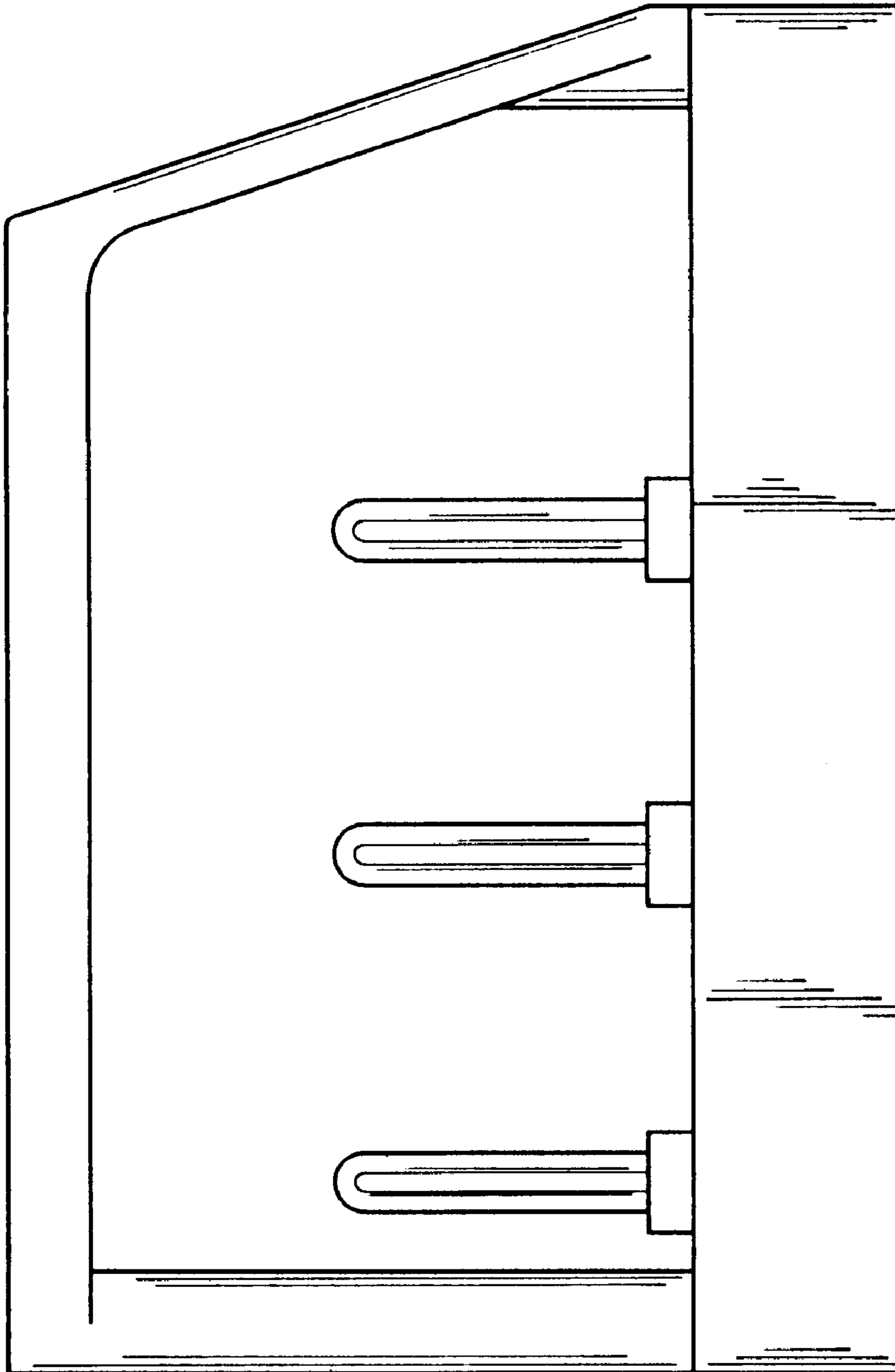


FIG. 4

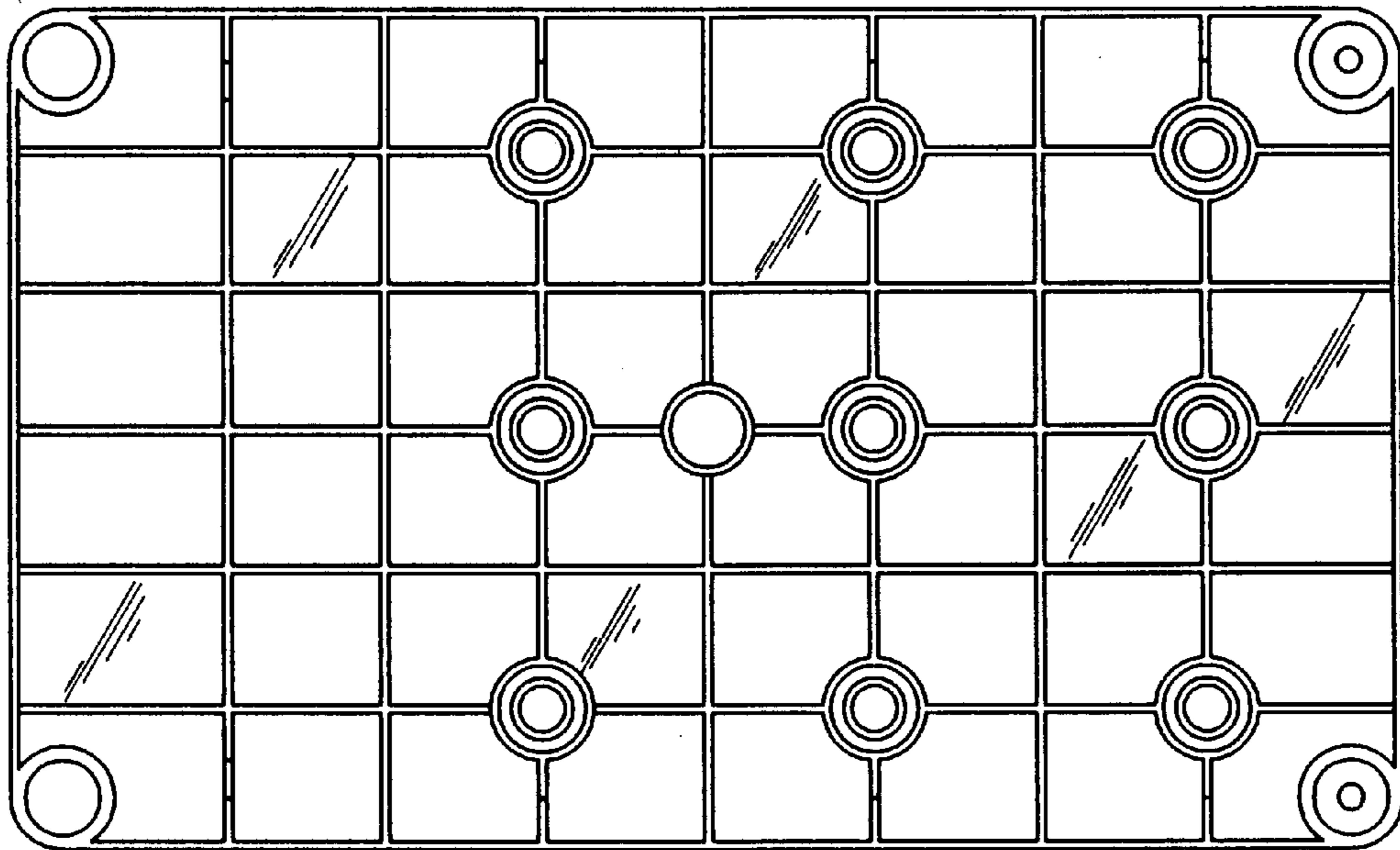


FIG. 6

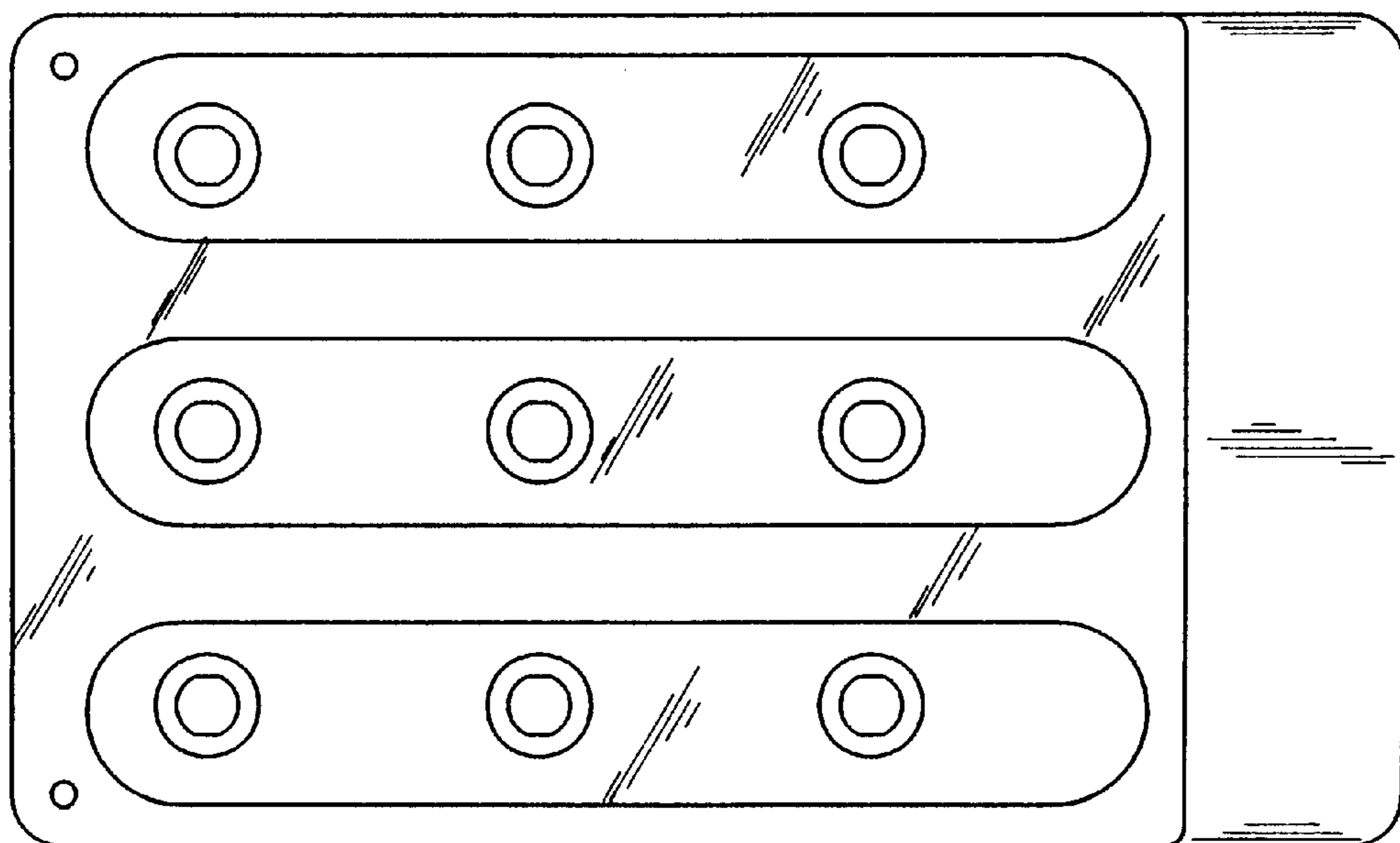


FIG. 5

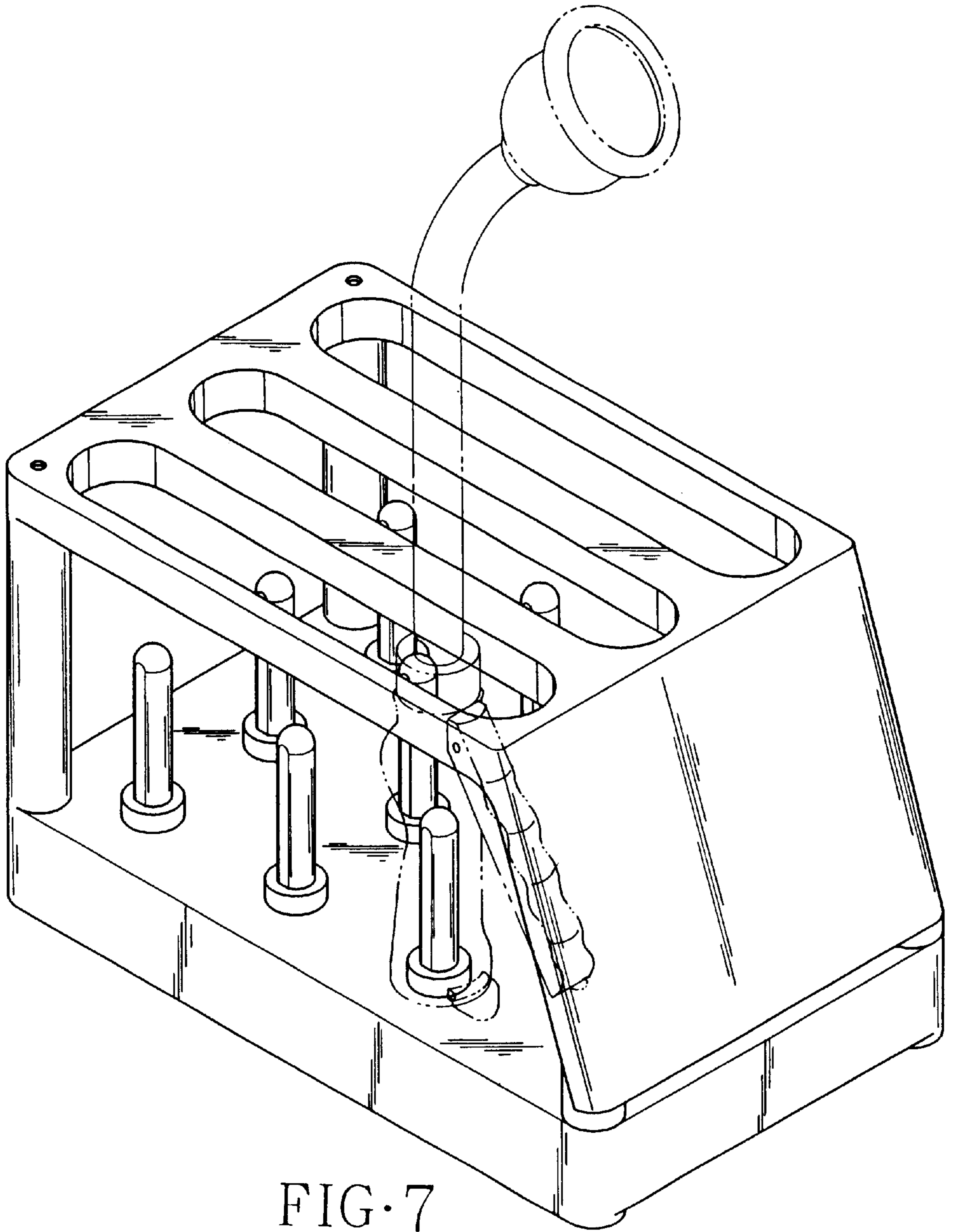


FIG. 7