



US00D453883S

(12) **United States Design Patent**  
**Conde**

(10) **Patent No.:** **US D453,883 S**

(45) **Date of Patent:** **\*\* Feb. 26, 2002**

(54) **STACKABLE MODULAR AND DECORATIVE FLOOR TO CEILING BOWL ASSEMBLY**

(76) **Inventor:** **Joseph Conde**, 391 Linden Blvd., Brooklyn, NY (US) 11210

(\*\*) **Term:** **14 Years**

(21) **Appl. No.:** **29/114,358**

(22) **Filed:** **Nov. 22, 1999**

(51) **LOC (7) Cl.** ..... **06-03**

(52) **U.S. Cl.** ..... **D6/455**

(58) **Field of Search** ..... D6/396, 449, 454, D6/455, 461, 462; 211/2, 163, 164, 144, 183, 153, 1.55, 95, 131.1, 131.2, 205, 206, 196, 189, 194, 59.4, 59.1, 58, 107; 248/131; 108/102-107, 137-142, 176, 151; 47/83

(56) **References Cited**

**U.S. PATENT DOCUMENTS**

- 943,454 A \* 12/1909 Pecoy ..... 211/131.1
- D41,431 S \* 6/1911 Gloekler ..... D6/476
- 2,157,400 A \* 5/1939 Cooper ..... 108/96
- 4,546,730 A 10/1985 Holland ..... 119/780

- 4,549,664 A \* 10/1985 Gowanet et al. .... 211/131.1
- 4,561,208 A 12/1985 Schultz ..... 47/83
- 4,688,684 A 8/1987 Young ..... 211/59.4
- 5,312,003 A 5/1994 Domenig ..... 211/144
- 5,458,243 A 10/1995 McBride ..... 211/196 X
- 5,715,954 A 2/1998 Zaremba ..... 211/107
- 5,839,586 A \* 11/1998 Smith ..... 211/163
- D407,920 S \* 4/1999 Duffield ..... D6/461
- D419,334 S \* 1/2000 Talbot et al. .... D6/461

\* cited by examiner

*Primary Examiner*—Prabhakar Deshmukh

(57) **CLAIM**

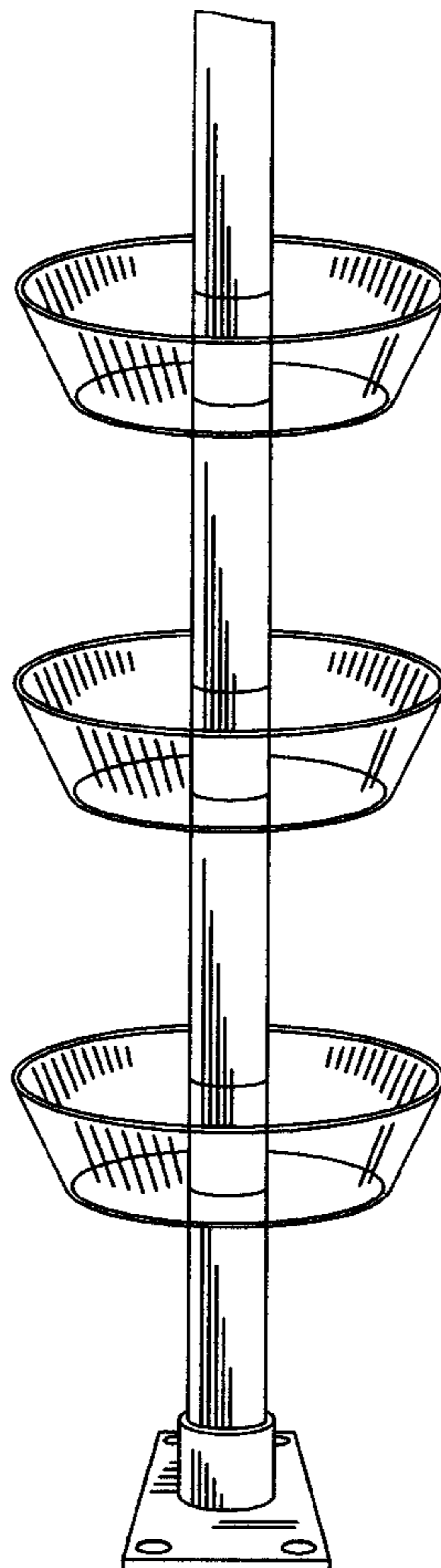
The ornamental design for stackable modular and decorative floor to ceiling bowl assembly, as shown and described.

**DESCRIPTION**

FIG. 1 is a perspective view of a stackable modular and decorative floor to ceiling bowl assembly showing my new design; and,

FIG. 2 is an enlarged scale fragmented cross-sectional view of a single bowl assembly; shown for clarity.

**1 Claim, 2 Drawing Sheets**



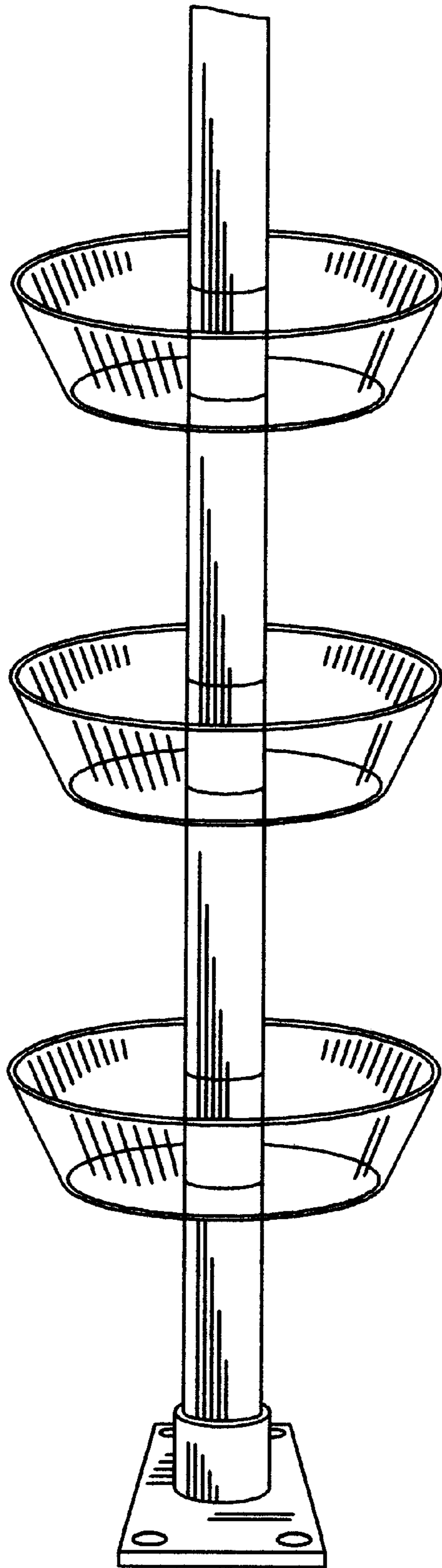


Fig. 1

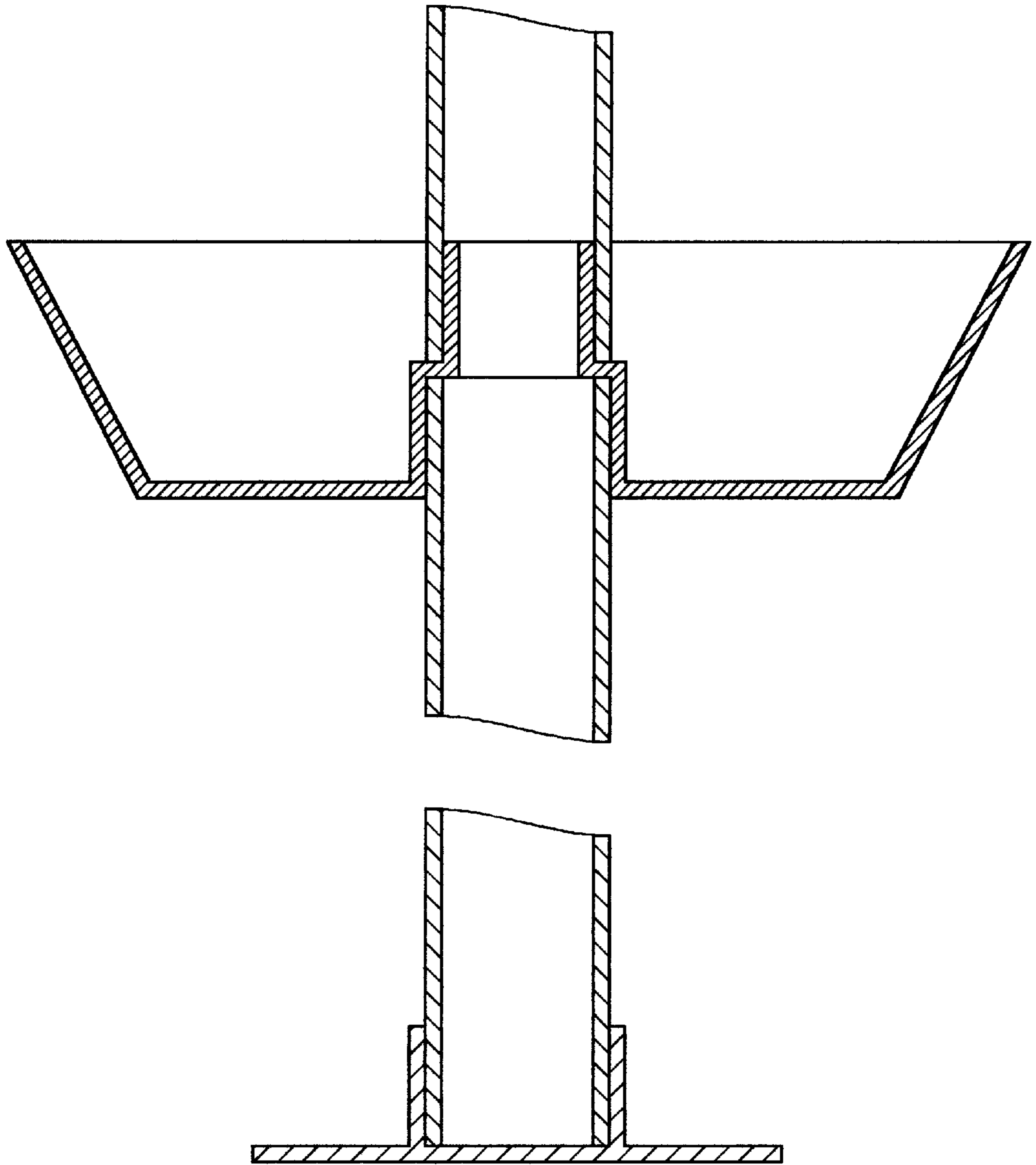


Fig. 2