



US00D453879S

(12) **United States Design Patent**  
**Carr**

(10) **Patent No.:** **US D453,879 S**

(45) **Date of Patent:** **\*\* Feb. 26, 2002**

(54) **CHILD'S TOOTHBRUSH**

(76) **Inventor:** **Margaret A. Carr**, 2890 St. Patrick,  
Windsor, Ontario (CA), N9E-3G7

(\*\*) **Term:** **14 Years**

(21) **Appl. No.:** **29/138,715**

(22) **Filed:** **Mar. 20, 2001**

(51) **LOC (7) Cl.** ..... **04-02**

(52) **U.S. Cl.** ..... **D4/107**

(58) **Field of Search** ..... D4/104-112, 132,  
D4/134, 138; 15/143.1, 159.1, 167.1, 186,  
187; 132/308; 601/139, 141; D24/194,  
195; 606/234, 235

(56) **References Cited**

**U.S. PATENT DOCUMENTS**

D301,937 S \* 7/1989 Thompson ..... D4/104  
5,571,140 A \* 11/1996 Gura-Emerling ..... 15/167.1 X  
D383,307 S \* 9/1997 Klein et al. .... D4/108  
D387,868 S \* 12/1997 Wilburn ..... D24/194

5,711,759 A \* 1/1998 Smith et al. .... 601/139  
D391,641 S \* 3/1998 Fields et al. .... D24/194  
5,729,859 A \* 3/1998 Guffin, III ..... 15/167.1

\* cited by examiner

*Primary Examiner*—Alan P. Douglas

*Assistant Examiner*—Lavone Tabor

(74) *Attorney, Agent, or Firm*—Alex Rhodes

(57) **CLAIM**

The ornamental design for a child's toothbrush, as shown and described.

**DESCRIPTION**

FIG. 1 is a plan view of a child's toothbrush, showing my new design;

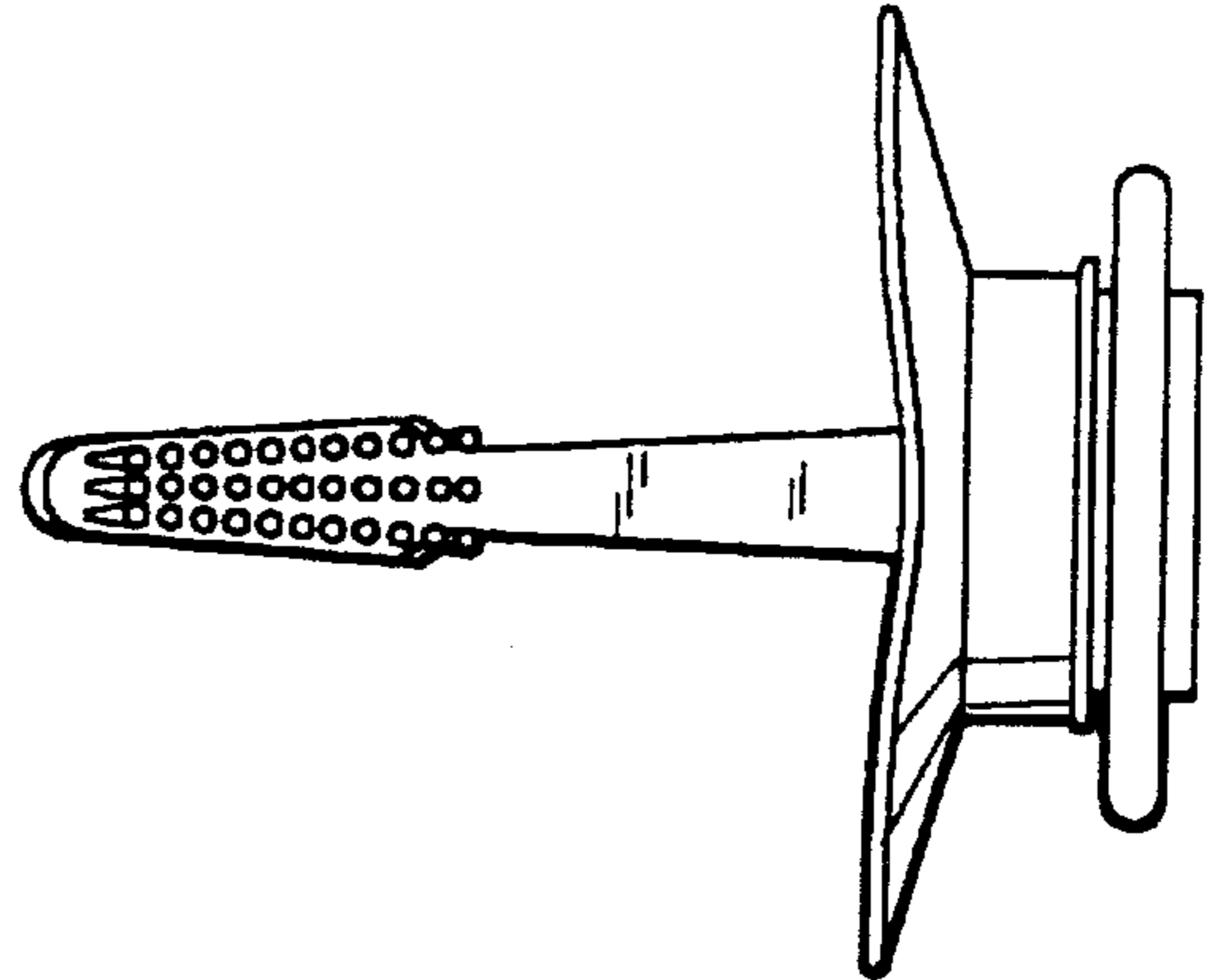
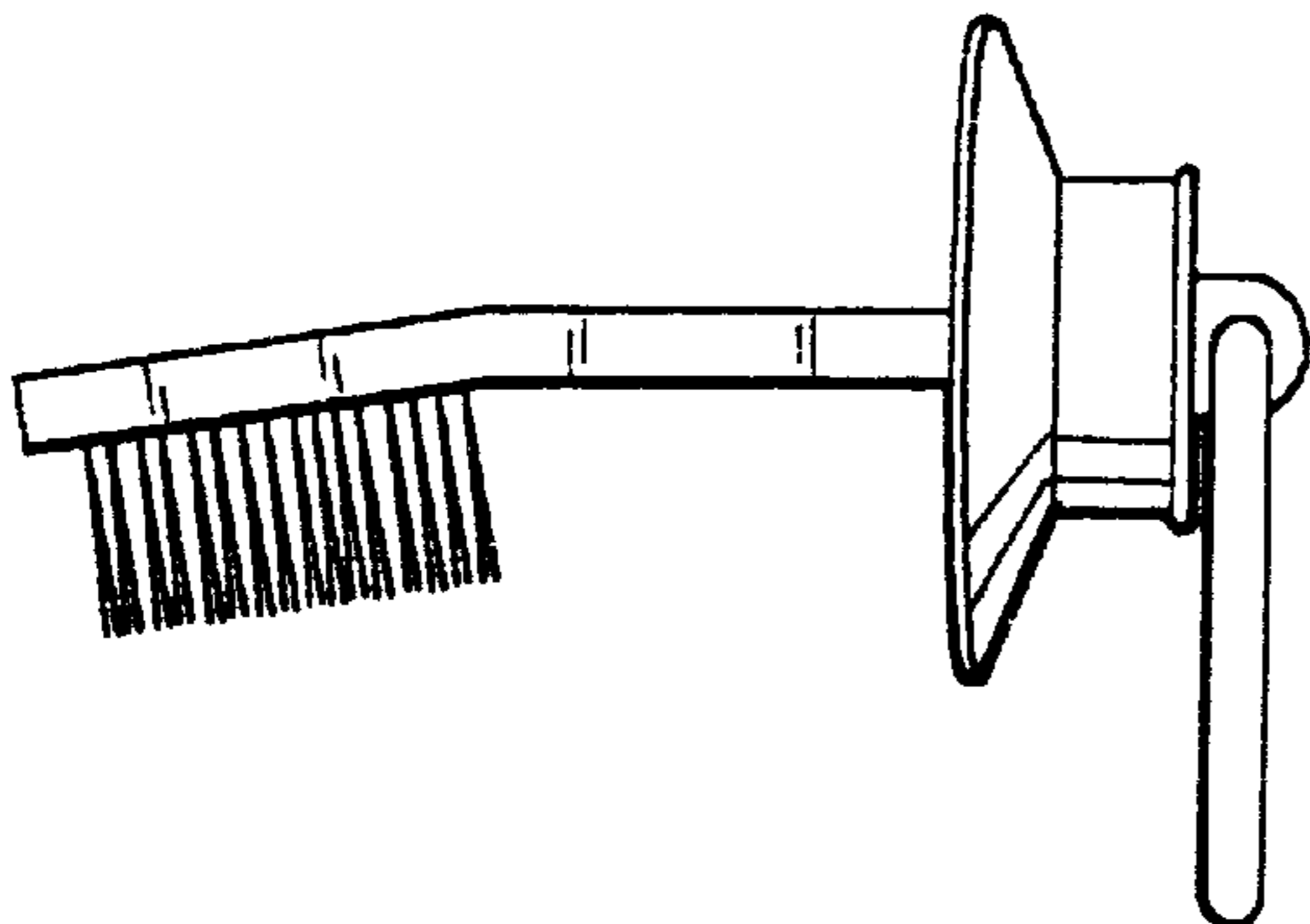
FIG. 2 is a left elevation view of the child's toothbrush, the right elevation view being symmetrically opposite;

FIG. 3 is a bottom view of the child's toothbrush;

FIG. 4 is a front view of the child's toothbrush; and,

FIG. 5 is a rear view of the child's toothbrush.

**1 Claim, 1 Drawing Sheet**



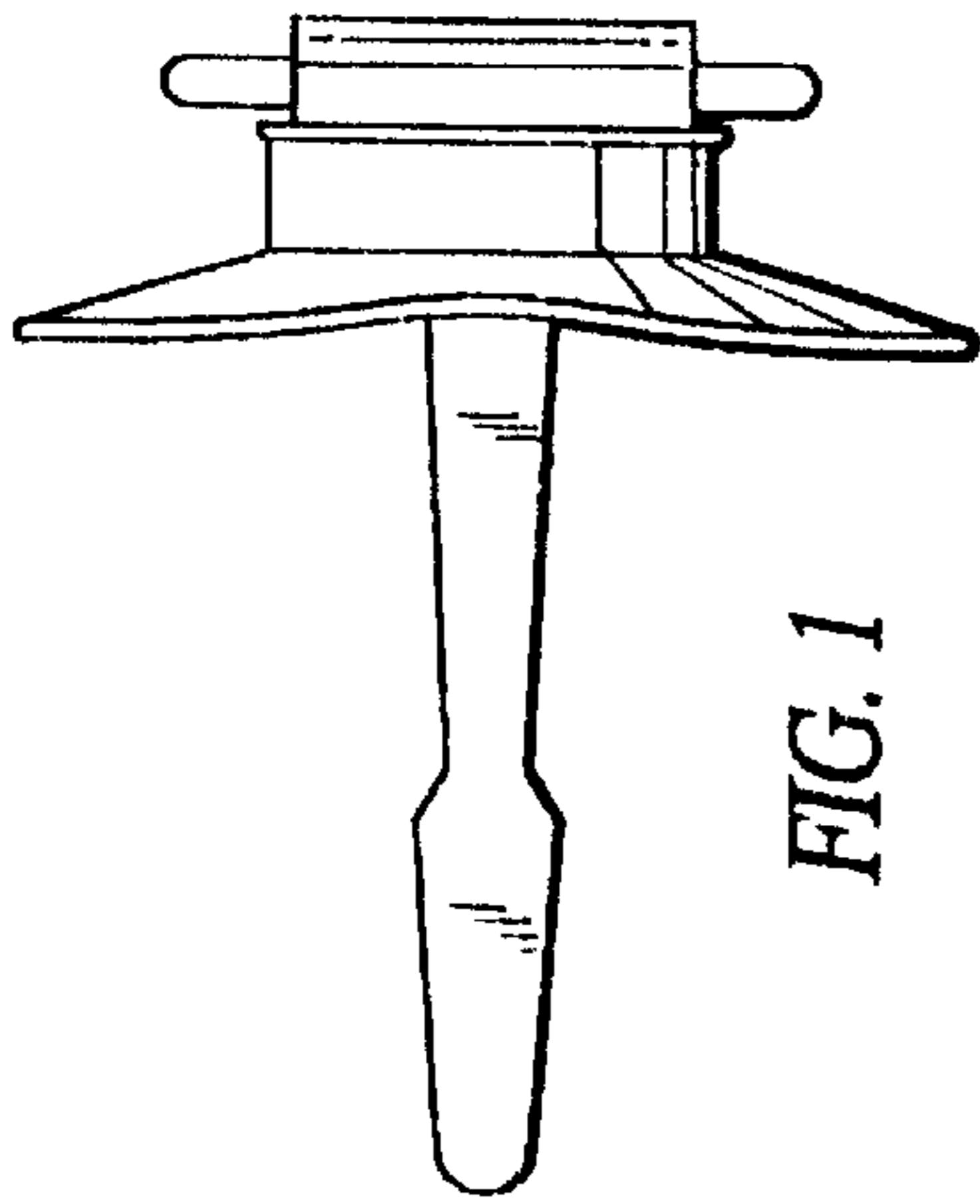


FIG. 1

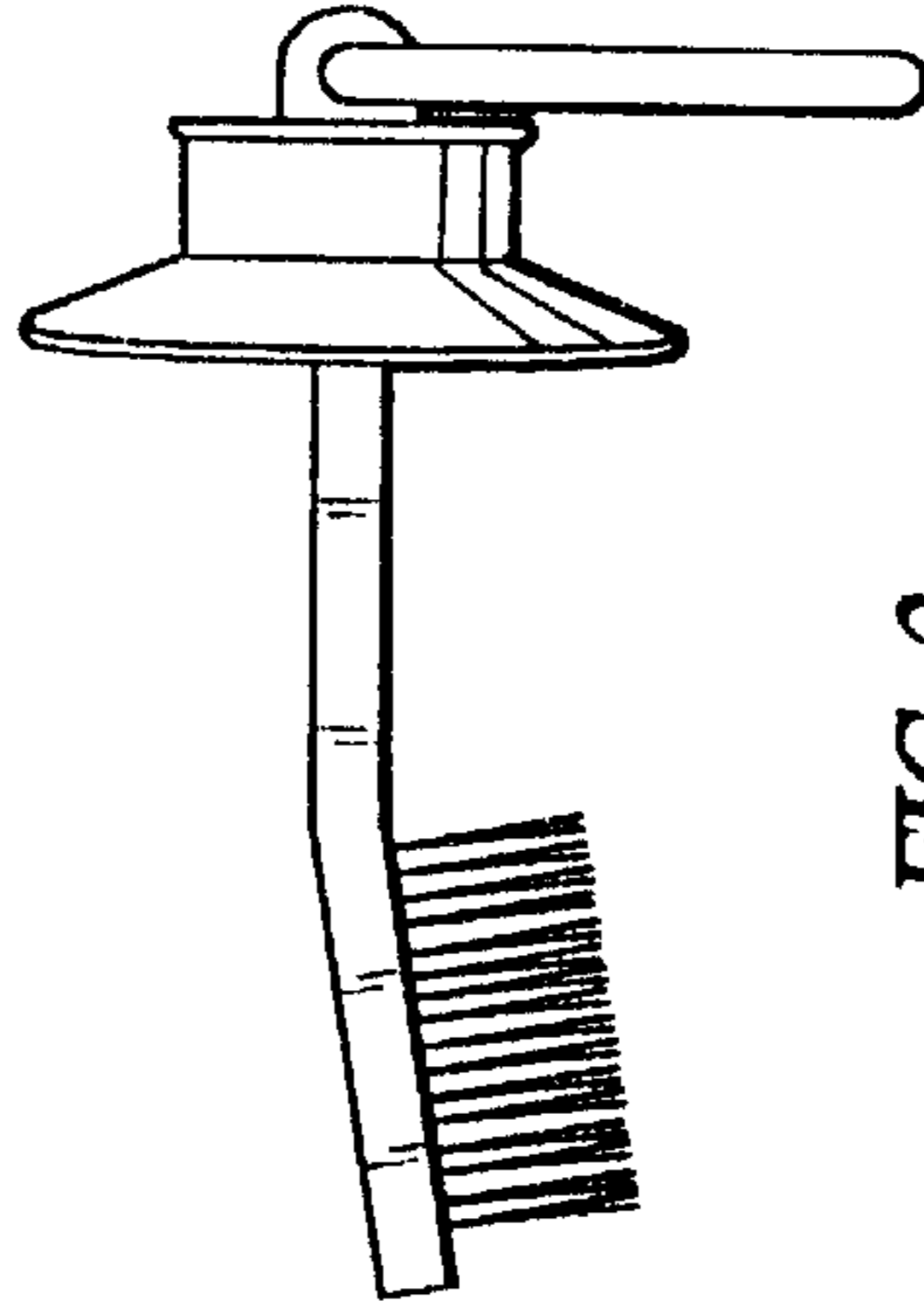


FIG. 2

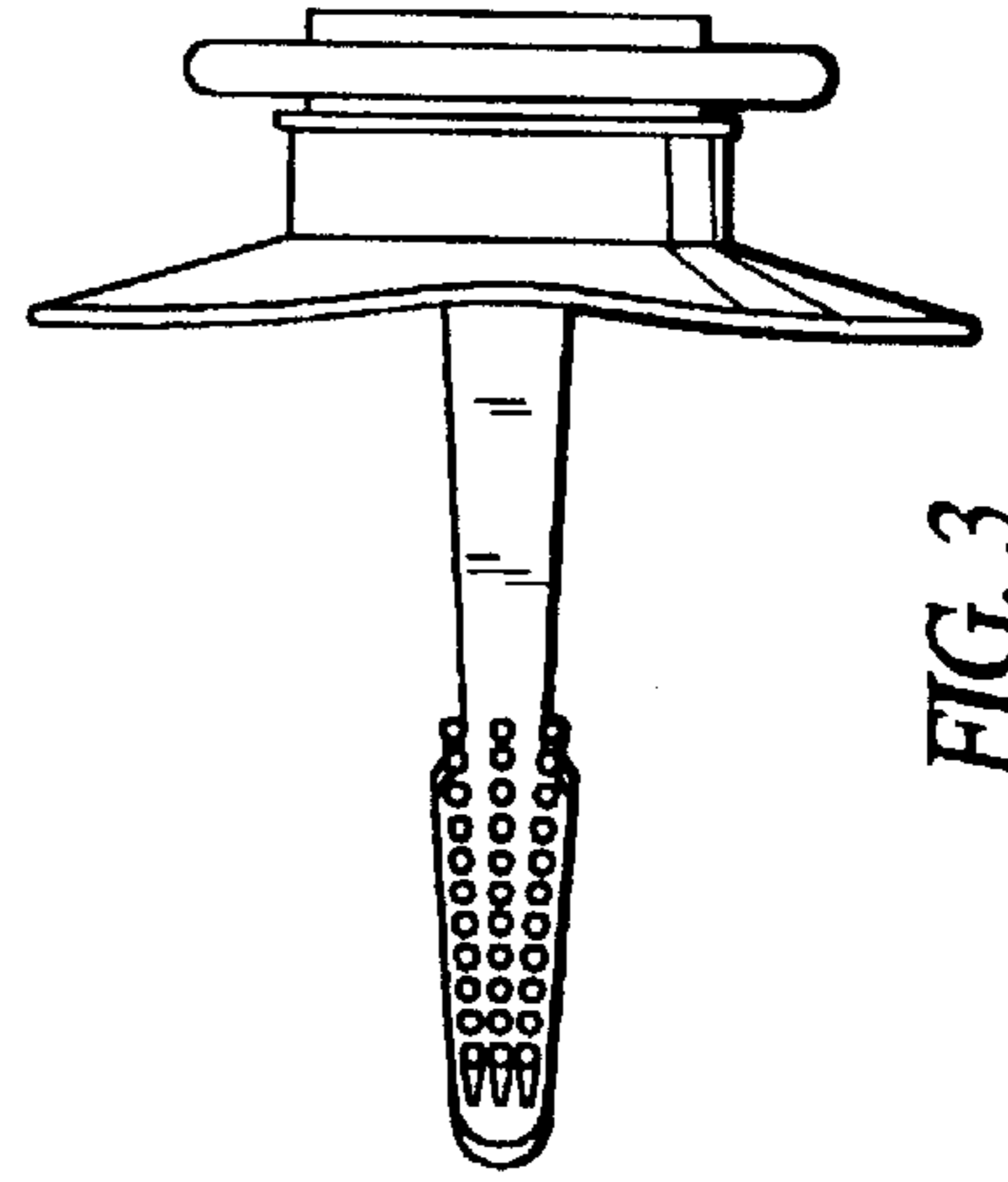


FIG. 3

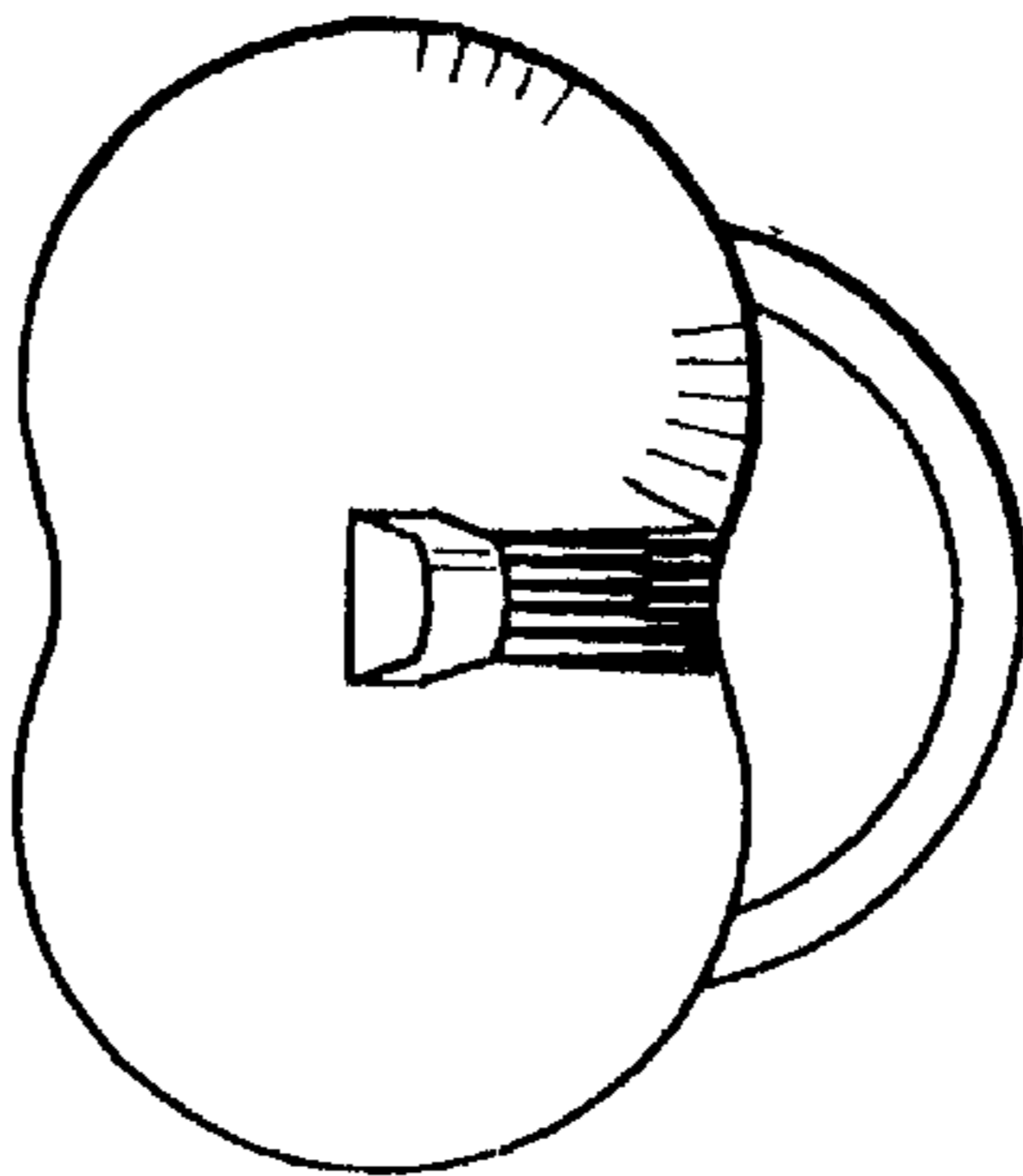


FIG. 5

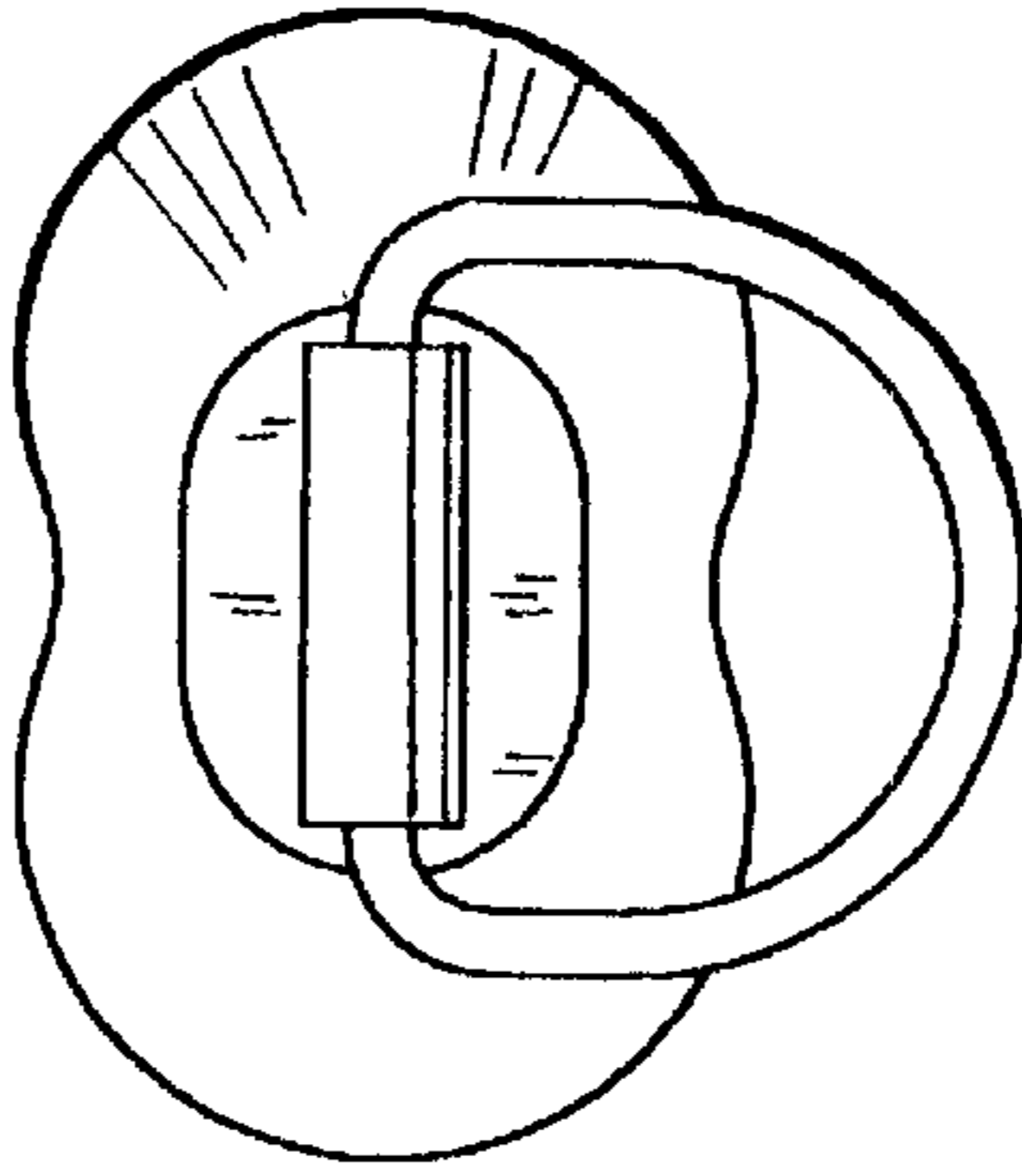


FIG. 4