



US00D453877S

(12) **United States Design Patent**
Apps et al.

(10) **Patent No.:** **US D453,877 S**

(45) **Date of Patent:** **** Feb. 26, 2002**

(54) **STACKABLE LOW DEPTH TRAY**

(75) Inventors: **William P. Apps; Philip C. Hwang,**
both of Alpharetta, GA (US)

(73) Assignee: **Rehrig Pacific Company,** Los Angeles,
CA (US)

(**) Term: **14 Years**

(21) Appl. No.: **29/112,002**

(22) Filed: **Oct. 7, 1999**

Related U.S. Application Data

(62) Division of application No. 29/089,494, filed on Jun. 16,
1998, now Pat. No. Des. 420,220.

(51) **LOC (7) Cl.** **03-01**

(52) **U.S. Cl.** **D3/311**

(58) **Field of Search** D3/304, 305, 306,
D3/307, 308, 309, 310, 311, 312, 313,
314; 206/203, 503, 506, 507; 220/23.4,
516, 517, 519

(56) **References Cited**

U.S. PATENT DOCUMENTS

D319,129 S * 8/1991 Apps et al. D3/311

D327,972 S * 7/1992 Apps et al. D3/313
5,465,843 A * 11/1995 Koefeldt 206/507
5,487,487 A * 1/1996 Hammets 206/503
D378,249 S * 3/1997 Apps et al. D3/310
D380,901 S * 7/1997 Apps et al. D3/311
5,855,277 A * 1/1999 Apps et al. 220/516 X

* cited by examiner

Primary Examiner—Louis S. Zarfes

Assistant Examiner—Monica A. Weingart

(57) **CLAIM**

The ornamental design for the stackable low depth tray, as shown.

DESCRIPTION

FIG. 1 is a perspective view of a stackable low depth tray showing our new design;

FIG. 2 is a side view thereof;

FIG. 3 is an end view thereof;

FIG. 4 is a top plan view thereof; and,

FIG. 5 is a bottom plan view thereof.

The broken line showing of the bottom of the stackable low depth tray in FIGS. 6–10 forms no part of the claimed design.

1 Claim, 4 Drawing Sheets

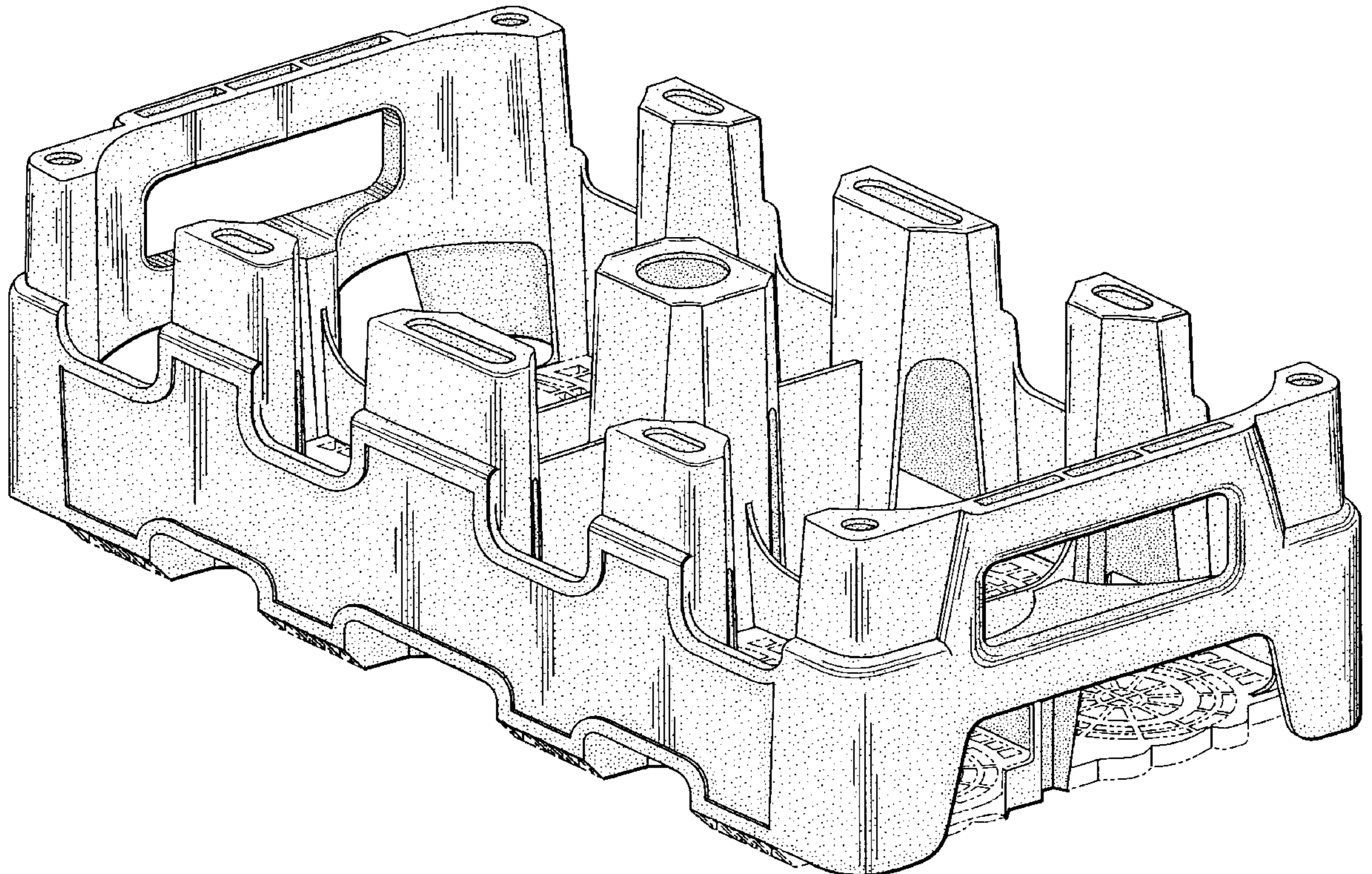
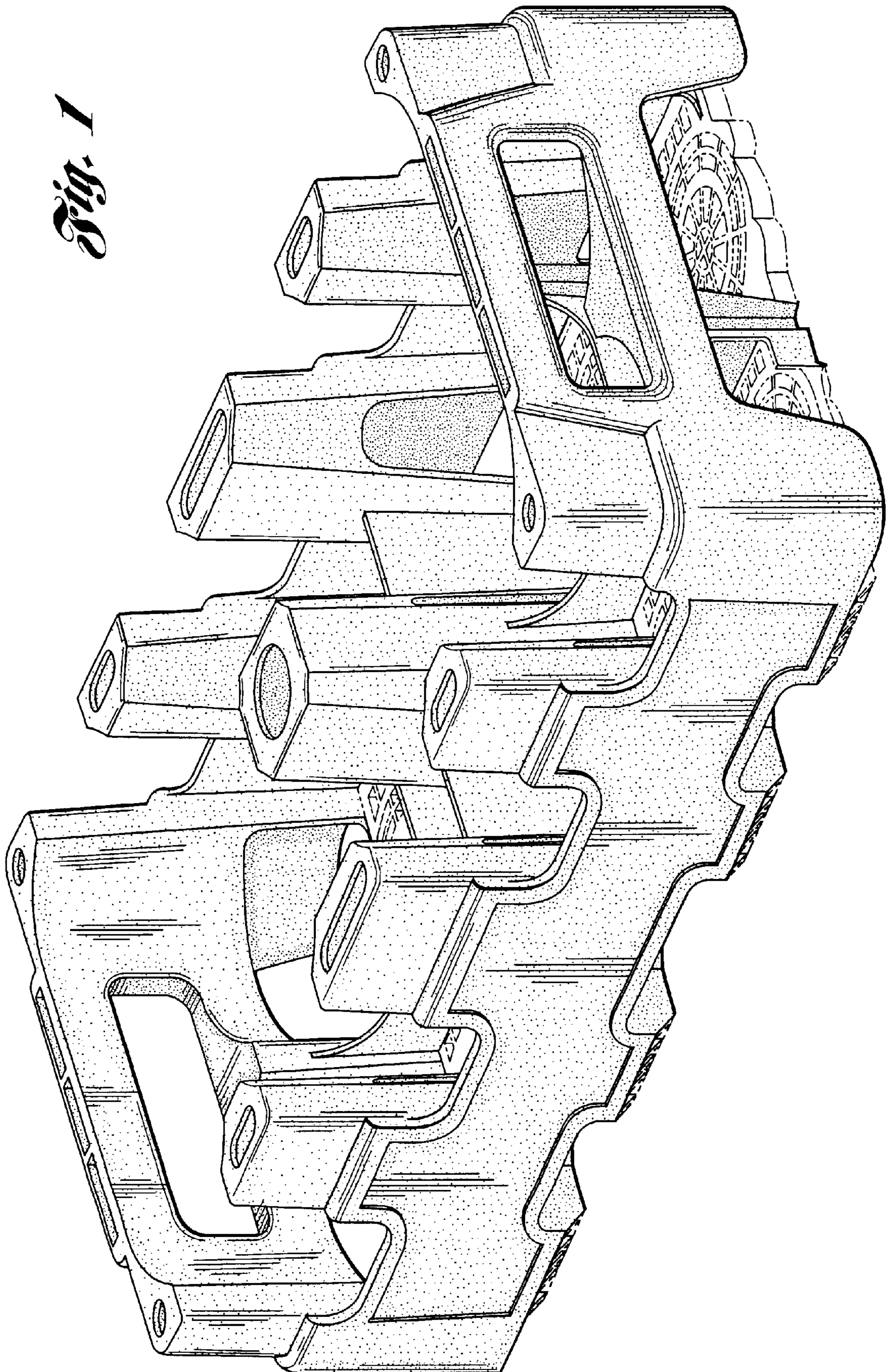


Fig. 1



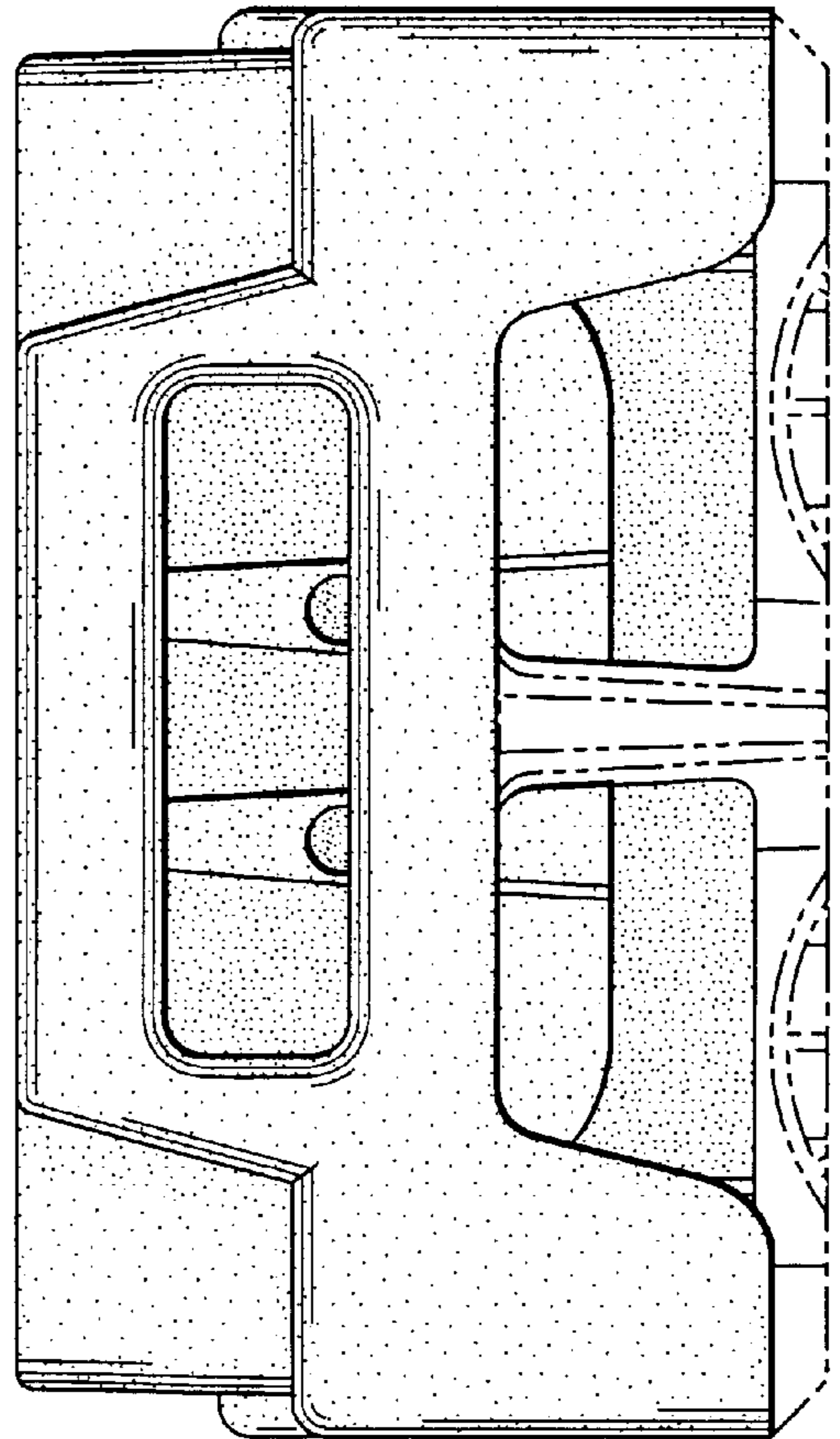
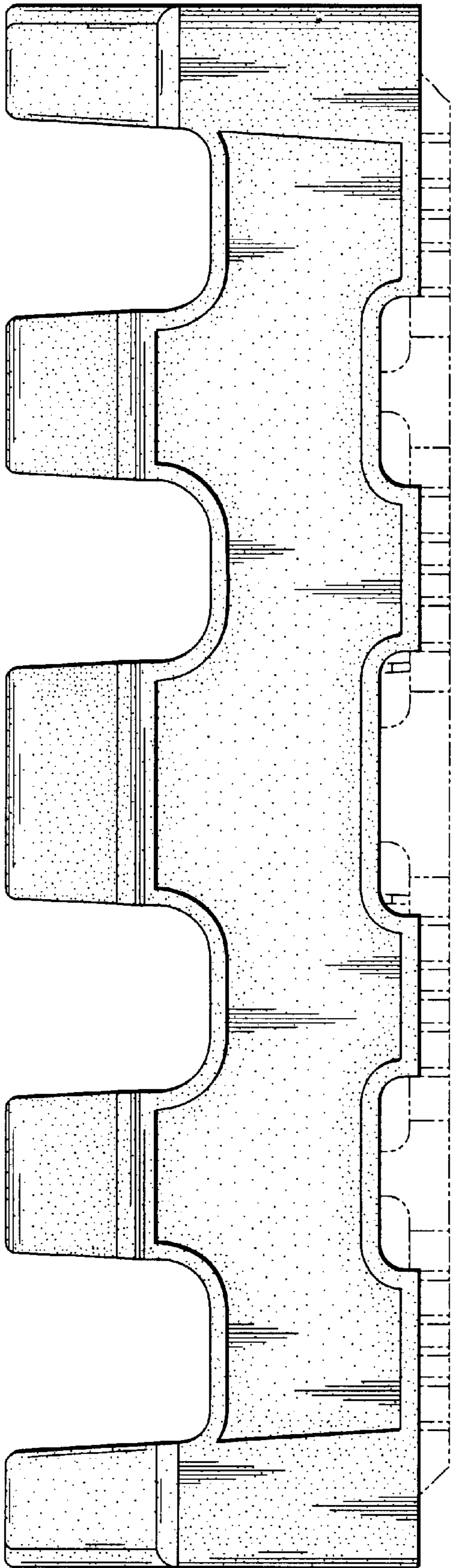


Fig. 2

Fig. 3

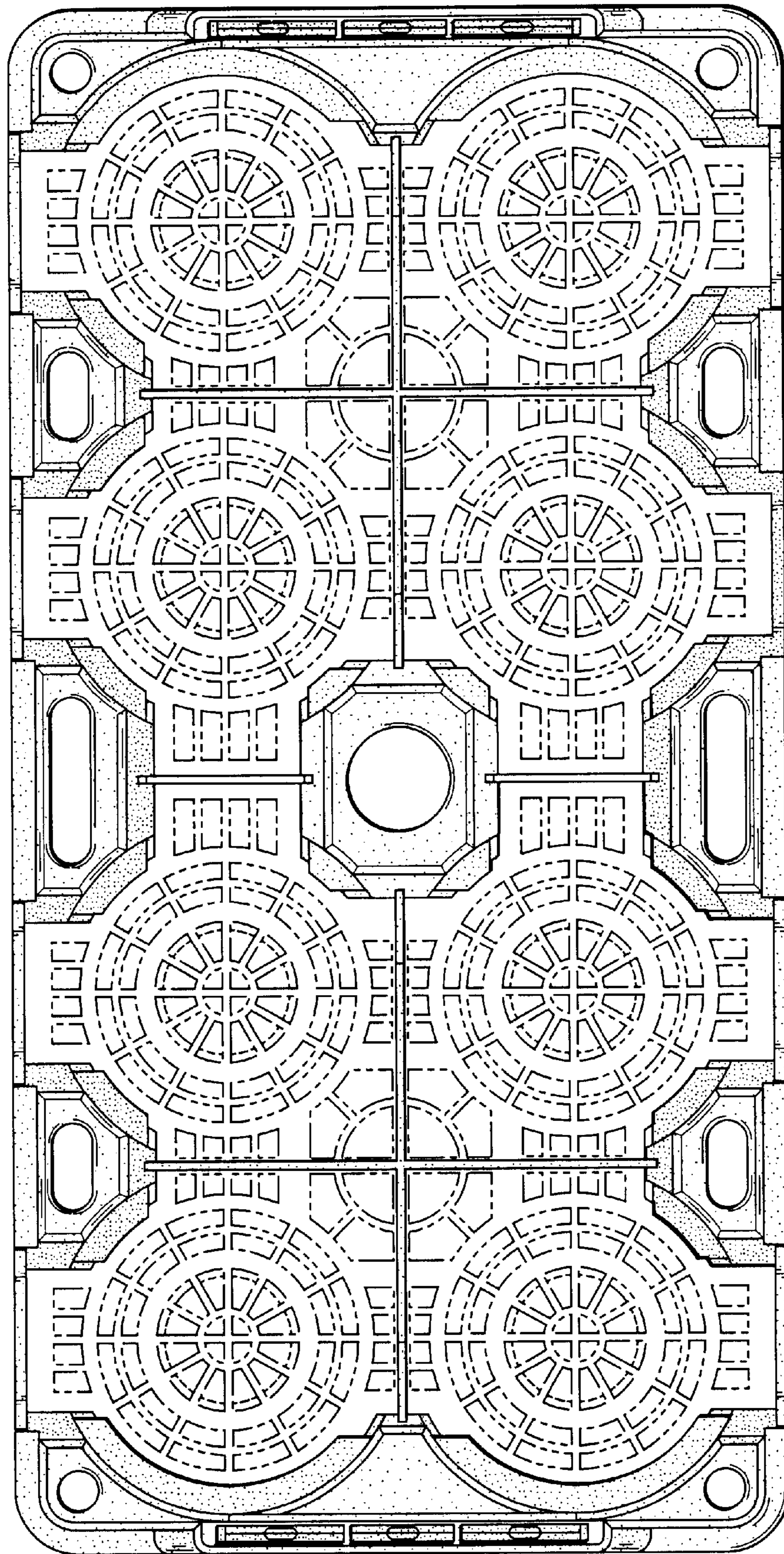


Fig. 4

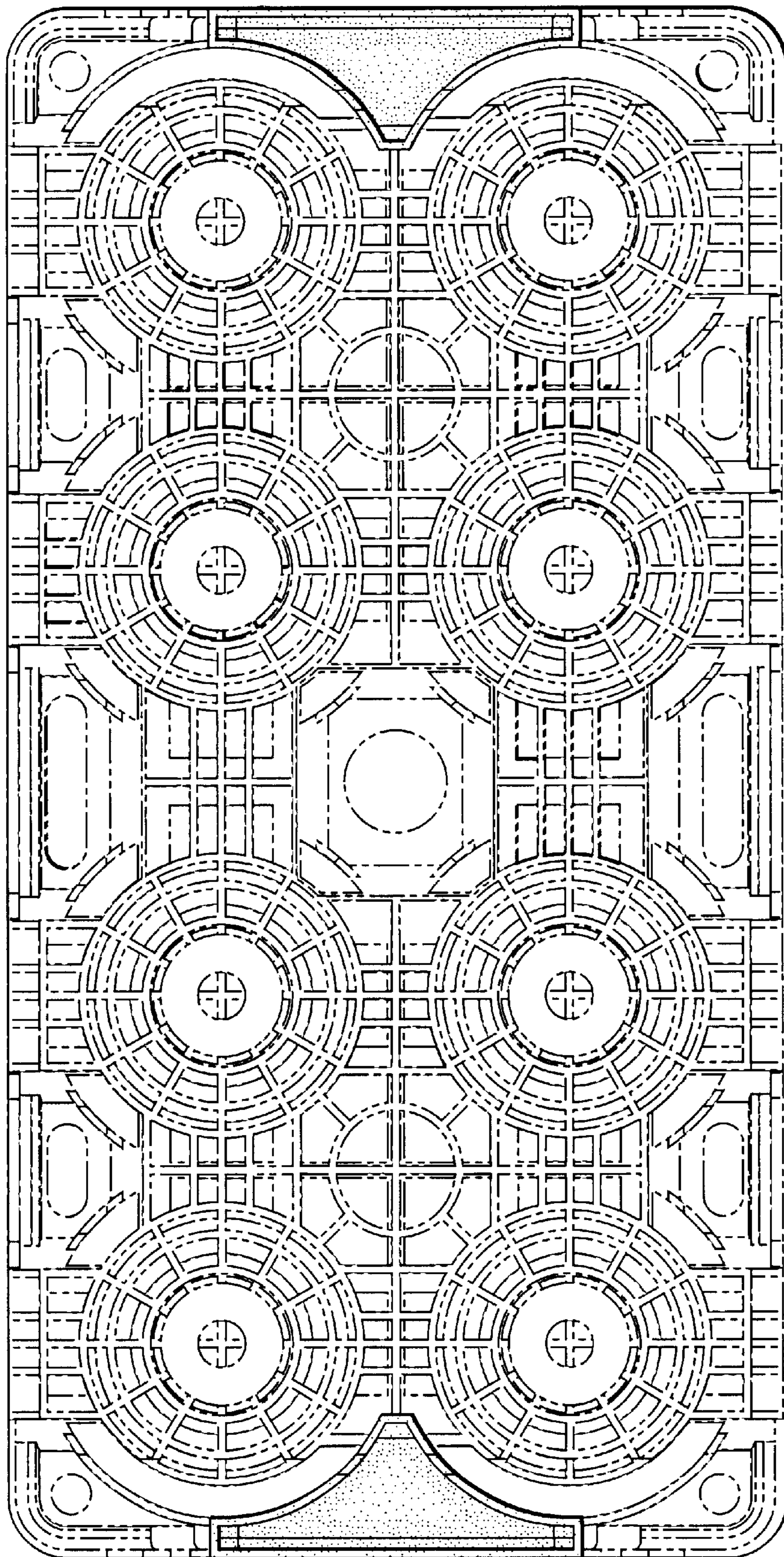


Fig. 5

UNITED STATES PATENT AND TRADEMARK OFFICE
CERTIFICATE OF CORRECTION

PATENT NO. : Des 453,877 S
DATED : February 26, 2002
INVENTOR(S) : Philip C. Hwang

Page 1 of 1

It is certified that error appears in the above-identified patent and that said Letters Patent is hereby corrected as shown below:

Title page,

Line 8, after "depth tray in" delete "FIGS 6-10" and insert -- FIGS. 1-5 --

Signed and Sealed this

Twenty-seventh Day of August, 2002

Attest:

A handwritten signature in black ink, appearing to read "James E. Rogan", written over a horizontal line.

Attesting Officer

JAMES E. ROGAN
Director of the United States Patent and Trademark Office