



US00D453875S

(12) **United States Design Patent**  
**Schmitt, Jr.**

(10) **Patent No.:** **US D453,875 S**

(45) **Date of Patent:** **\*\* Feb. 26, 2002**

(54) **GUSSETED POCKET GOLF BAG**

(75) **Inventor:** **Wayne I. Schmitt, Jr., Dudley, MA (US)**

(73) **Assignee:** **MacNeill Engineering Company, Inc., Marlborough, MA (US)**

(\*\*) **Term:** **14 Years**

(21) **Appl. No.:** **29/138,857**

(22) **Filed:** **Mar. 21, 2001**

(51) **LOC (7) Cl.** ..... **03-01**

(52) **U.S. Cl.** ..... **D3/255**

(58) **Field of Search** ..... D3/255, 254, 259, D3/320; 206/315.2-315.8; 248/96

(56) **References Cited**

**U.S. PATENT DOCUMENTS**

5,356,003	A	*	10/1994	Gretz et al.	.....	206/315.7
D382,397	S	*	8/1997	Wu	.....	D3/255
D422,139	S	*	4/2000	Reimers	.....	D3/255
D429,416	S	*	8/2000	Heidenreich et al.	.....	D3/255

\* cited by examiner

*Primary Examiner*—Catherine R. Oliver

(74) *Attorney, Agent, or Firm*—Bromberg & Sunstein LLP

(57) **CLAIM**

The ornamental design for a gusseted pocket golf bag, as shown and described.

**DESCRIPTION**

FIG. 1 is a left side view of a gusseted pocket golf bag showing my new design;

FIG. 2 is another elevated perspective view of the right side of the golf bag of FIG. 1;

FIG. 3 is a back side view of the golf bag;

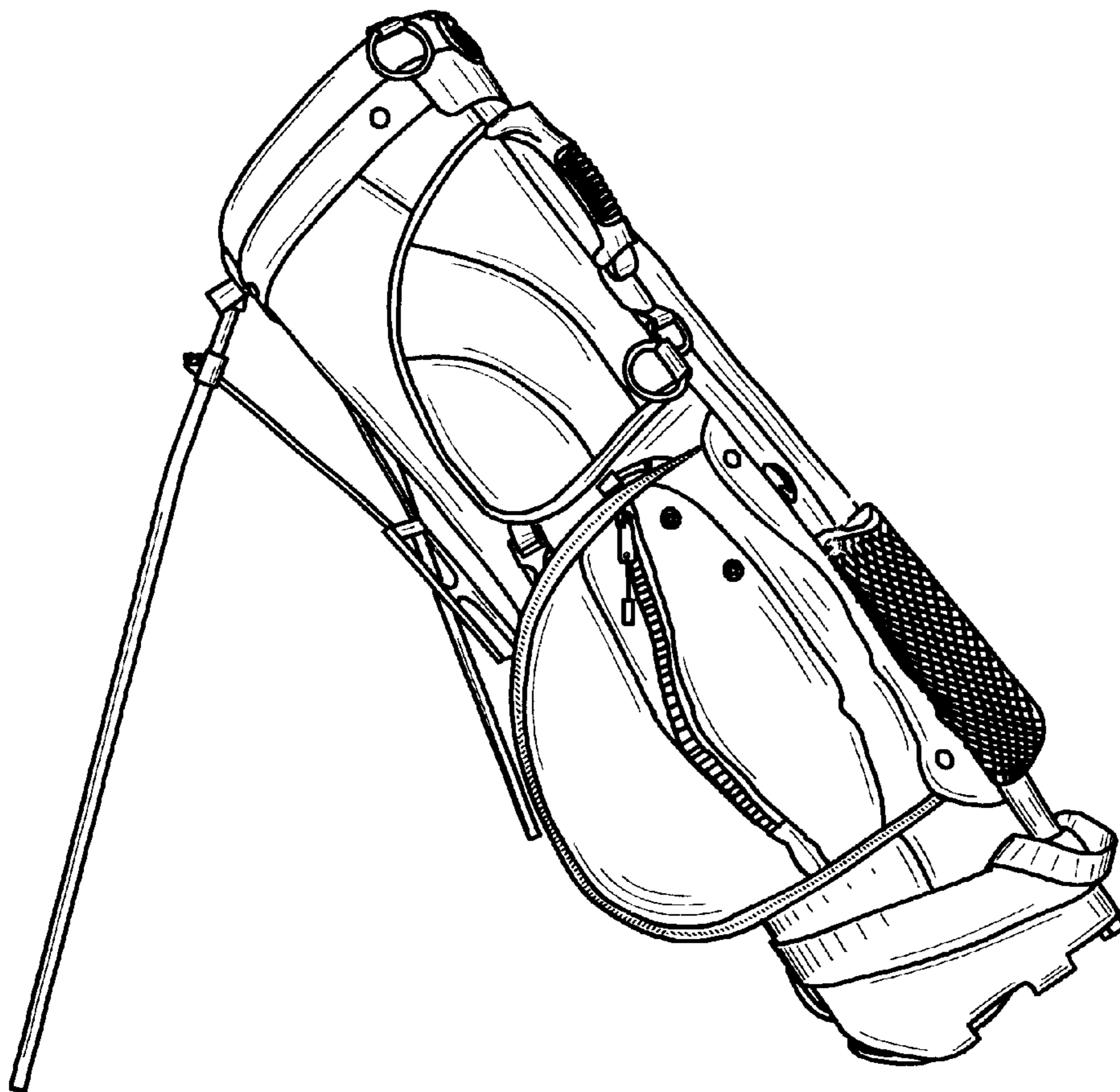
FIG. 4 is an elevated perspective view of the front side of the golf bag;

FIG. 5 is an elevated perspective view of the back side of the golf bag;

FIG. 6 is a bottom view of the golf bag with the side pockets retracted; and,

FIG. 7 is a bottom view of the golf bag with the side pockets extended.

**1 Claim, 3 Drawing Sheets**



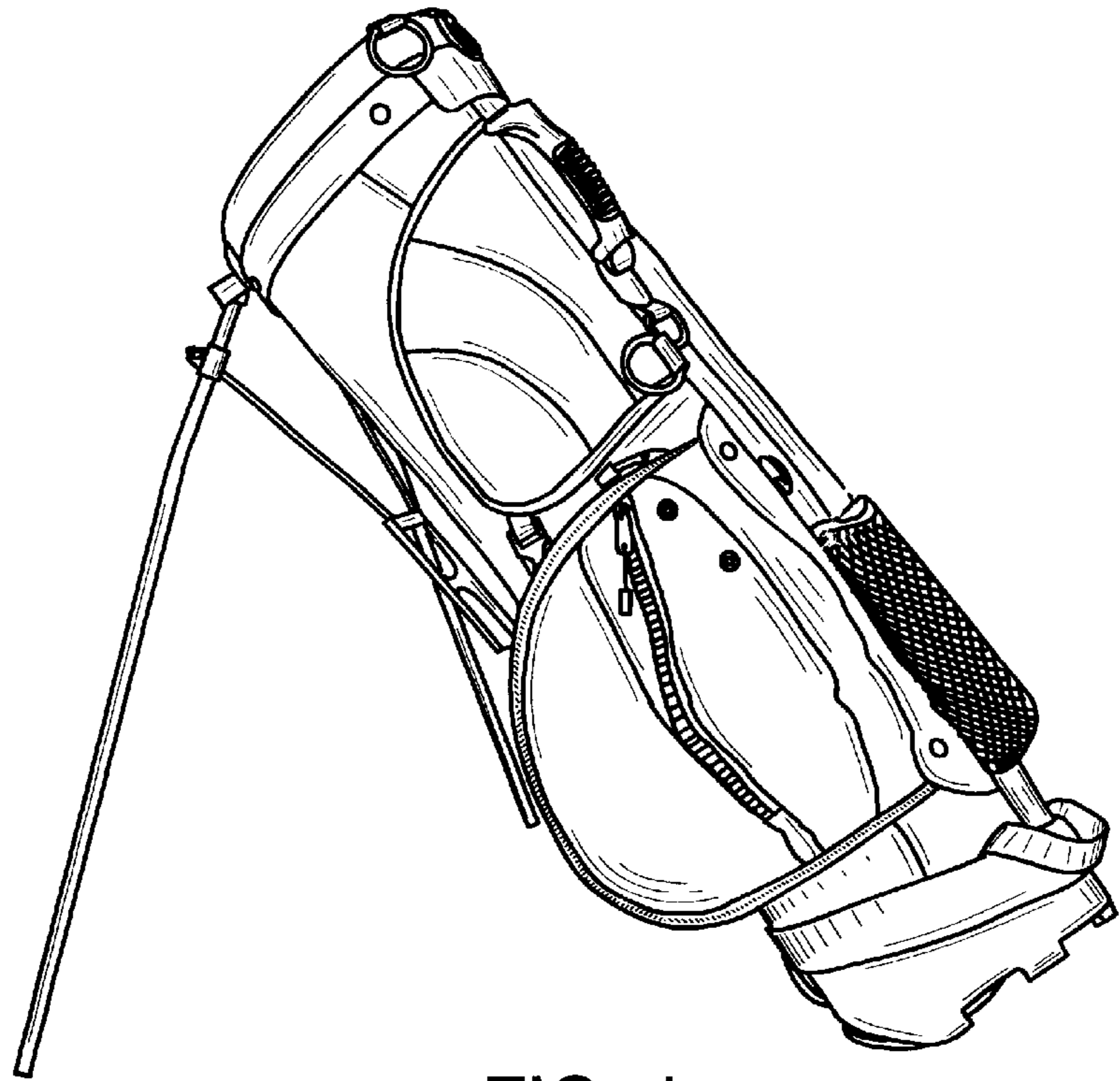


FIG. 1

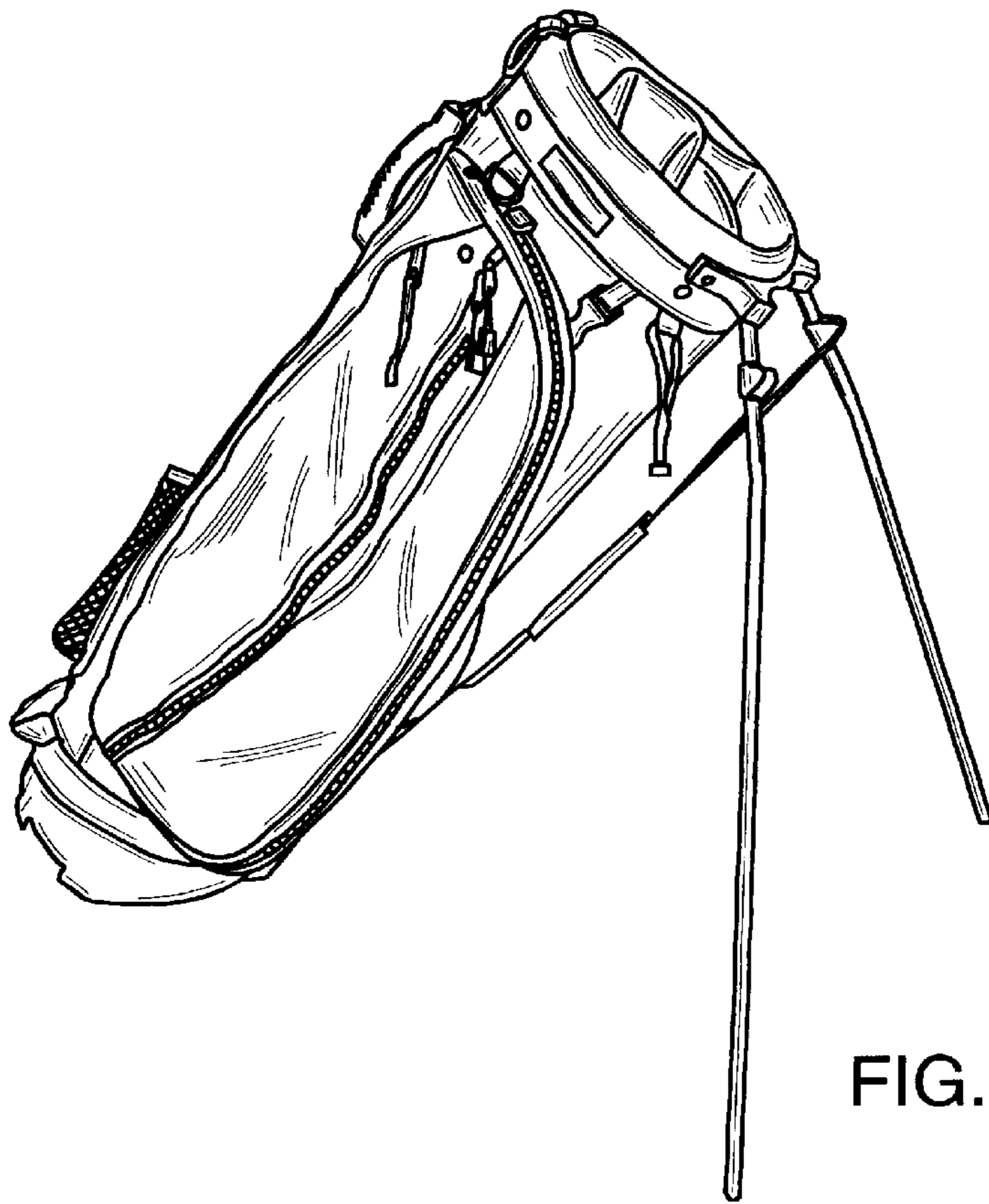


FIG. 2

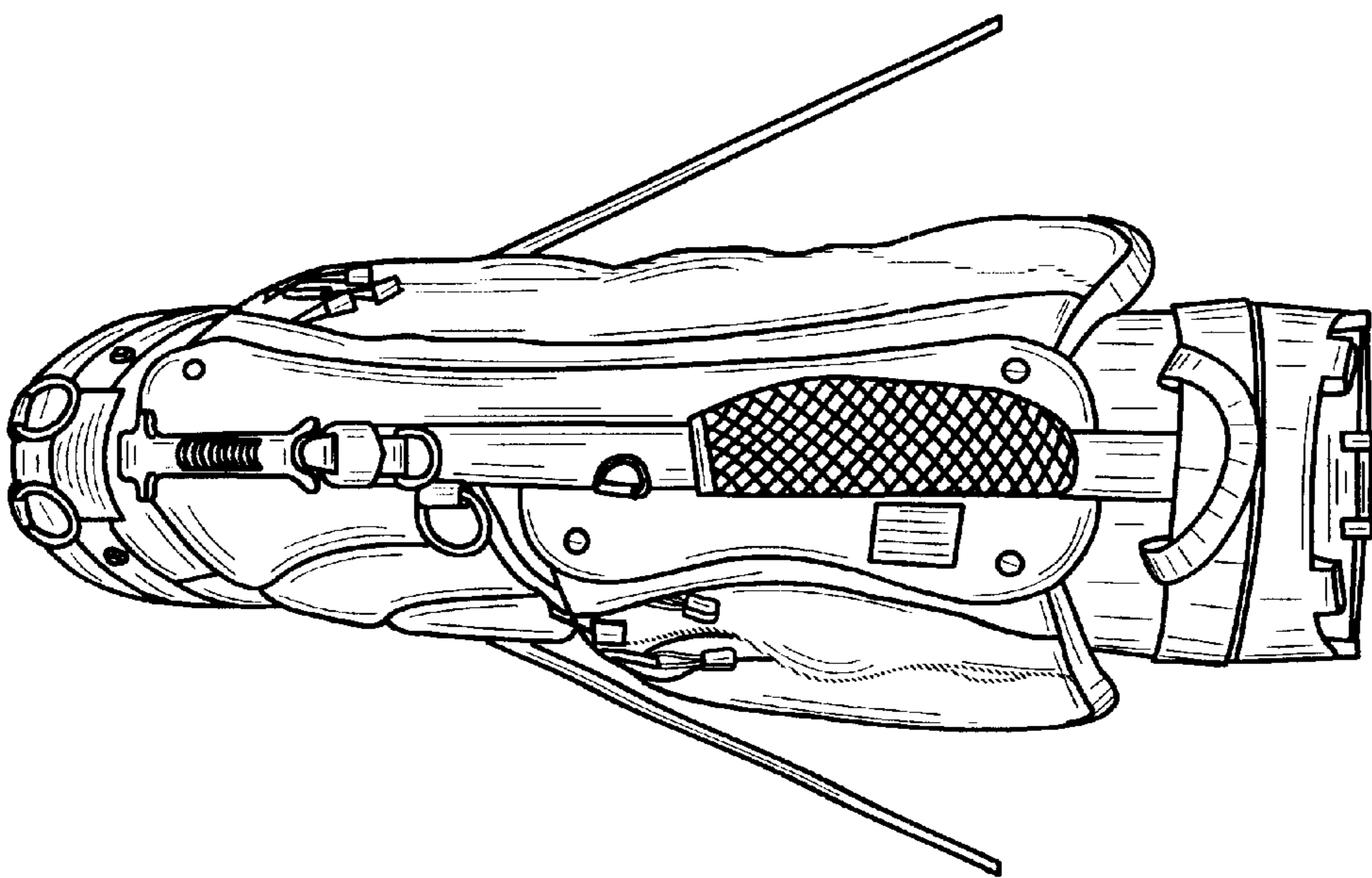


FIG. 3

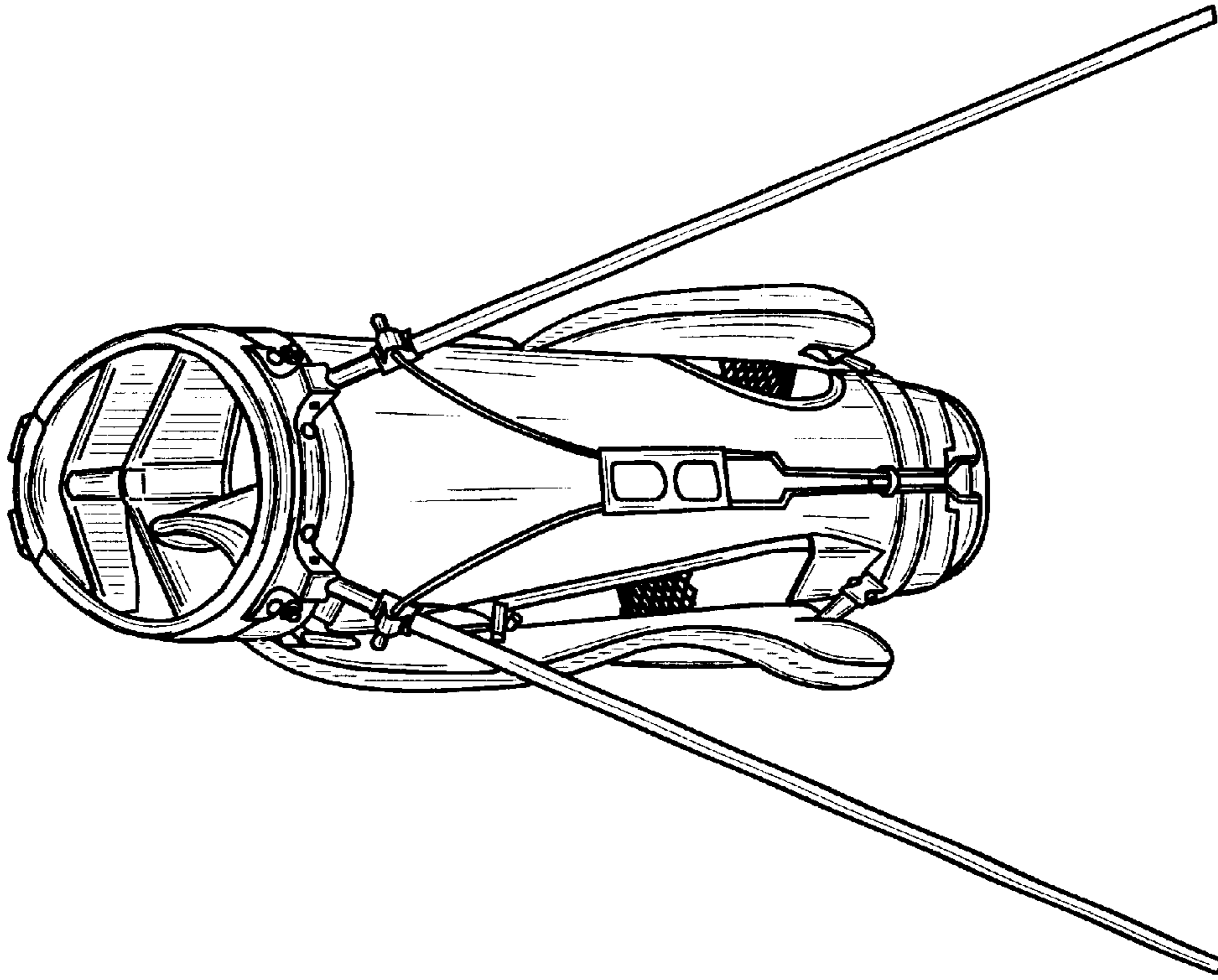


FIG. 4

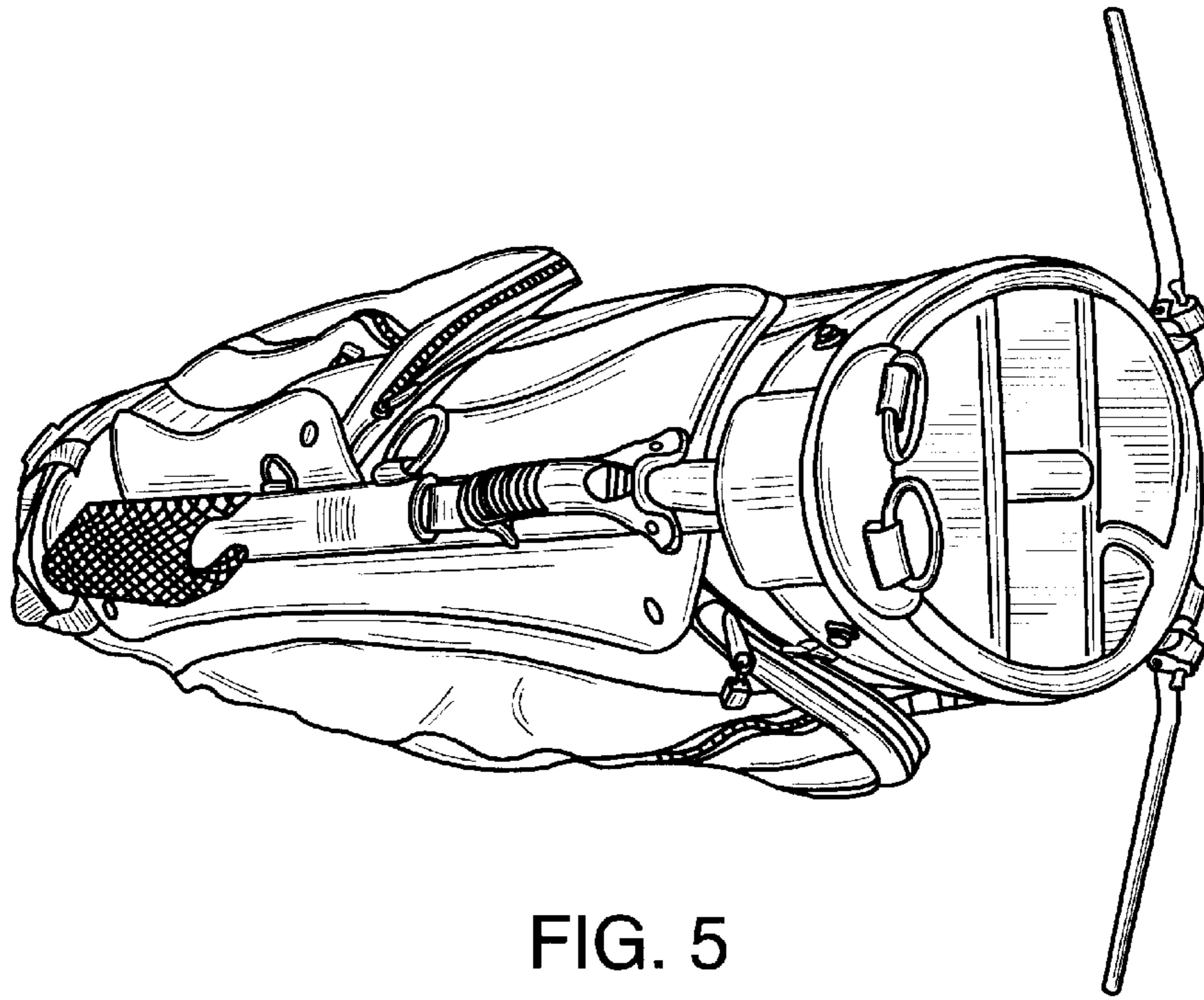


FIG. 5

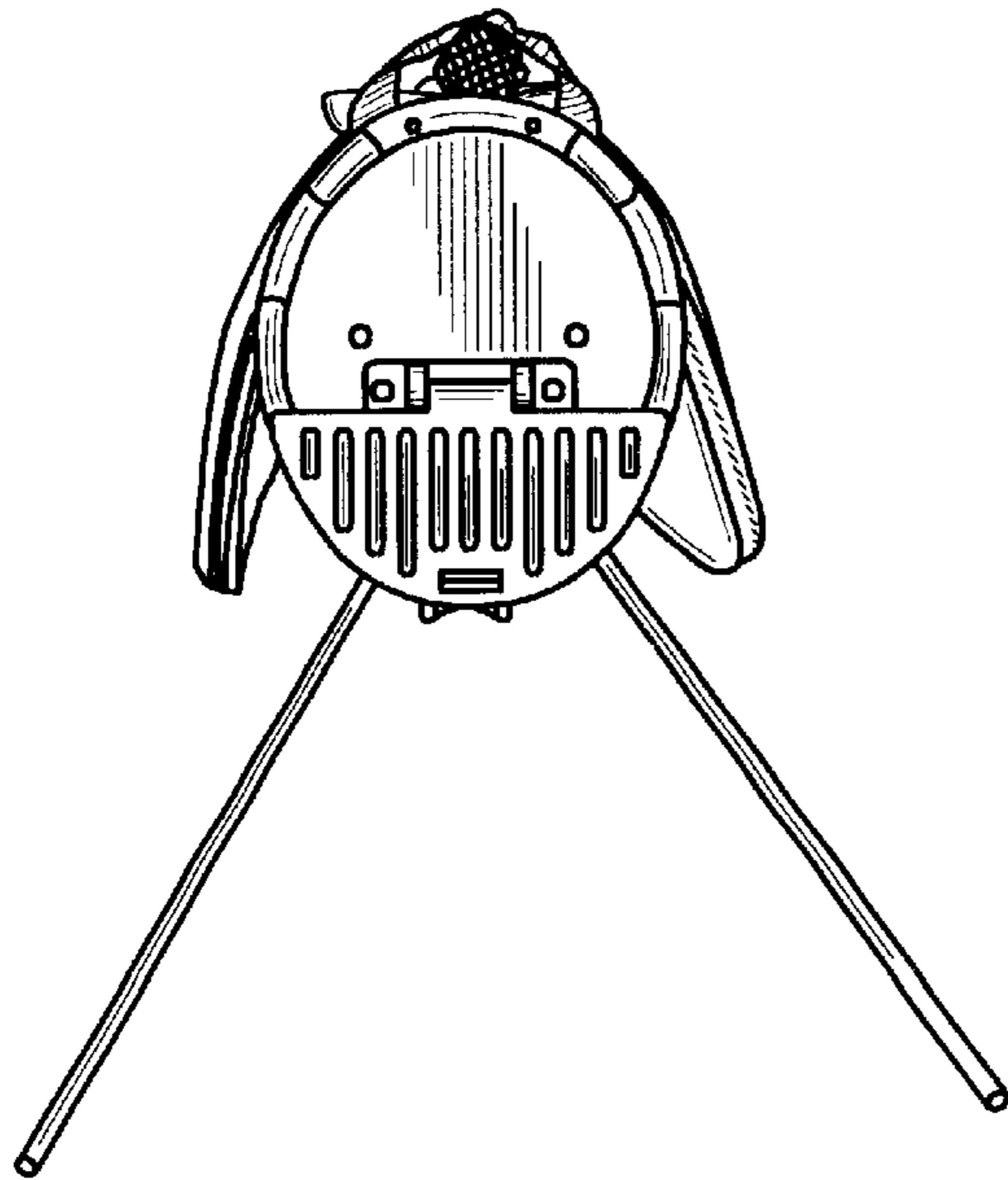


FIG. 6

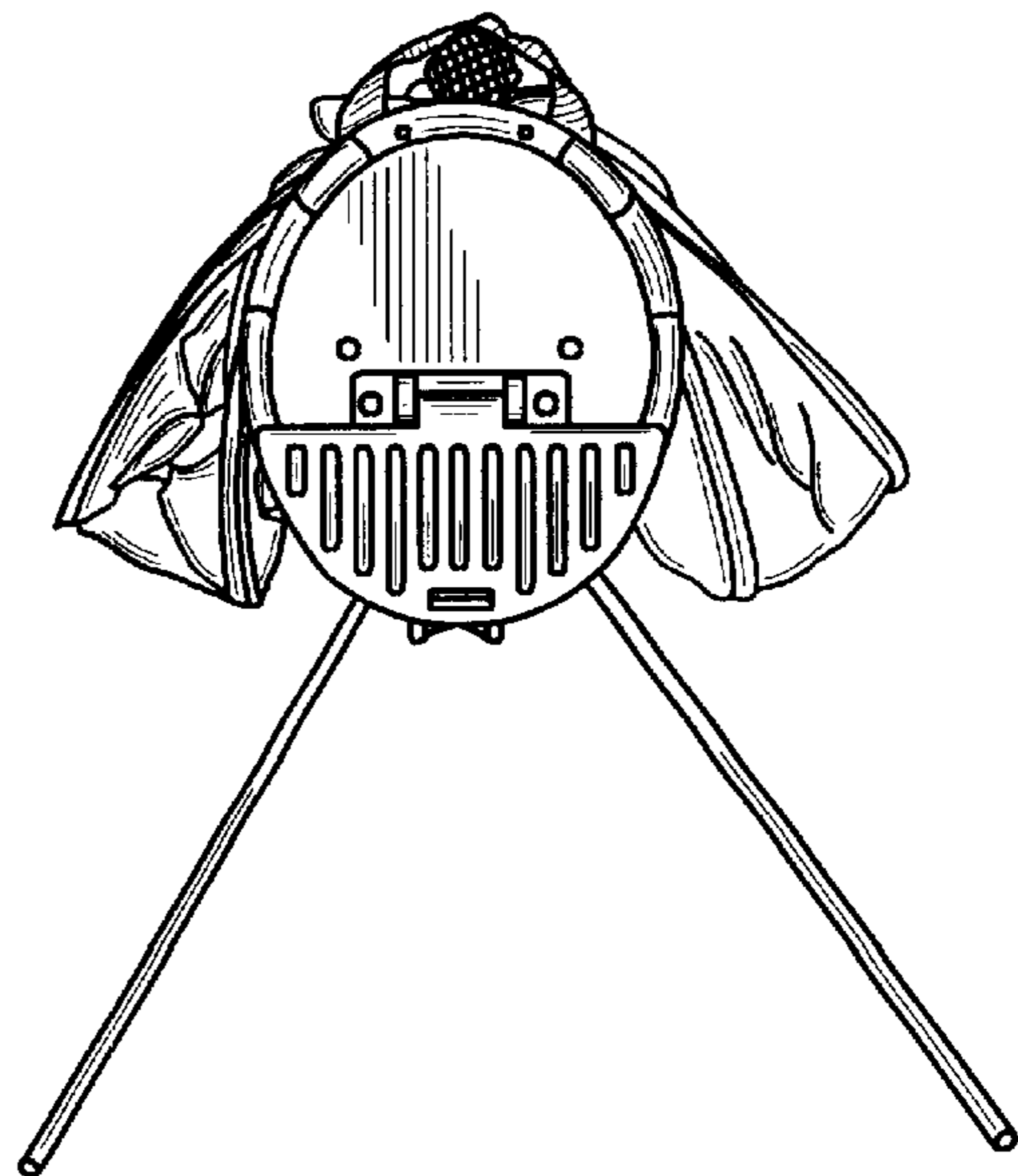


FIG. 7