



US00D453874S

(12) **United States Design Patent**
Frase

(10) **Patent No.:** **US D453,874 S**

(45) **Date of Patent:** **** Feb. 26, 2002**

(54) **KNIT CROCHET BAG**

(74) *Attorney, Agent, or Firm*—Thomas W. Secrest

(76) **Inventor:** **Sarah Frase**, 182 Pigeon Springs Rd.,
Onalaska, WA (US) 98570

(57) **CLAIM**

The ornamental design for a knit crochet bag, as shown and described.

(**) **Term:** **14 Years**

DESCRIPTION

(21) **Appl. No.:** **29/122,305**

FIG. 1 is a side elevational view of the knit crochet bag with the cover flap in an elevated position, and it is to be understood that the other side elevational view is the same; FIG. 2 is an end elevational view with the top central zipper closed and with the top central flap over the central storage pocket;

(22) **Filed:** **Apr. 25, 2000**

(51) **LOC (7) Cl.** **03-01**

FIG. 3 is a bottom plan view;

(52) **U.S. Cl.** **D3/246**

(58) **Field of Search** D3/232, 233, 244,
D3/245, 246, 303; 150/106, 111, 112, 154;
190/109, 111, 902, 903; 383/4, 15, 38,
39, 40; 206/574

FIG. 4 is a top plan view illustrating the top central zipper closed and on the left the left flap elevated to illustrate three storage pockets and on the right the right flap lowered and covering the three storage pockets;

(56) **References Cited**

U.S. PATENT DOCUMENTS

2,405,517 A * 8/1946 Plummer 383/39
5,046,860 A * 9/1991 Brennan 150/112 X
5,105,919 A * 4/1992 Bomes et al. 190/111 X
D334,839 S * 4/1993 Dancyger D3/246 X
5,813,445 A * 9/1998 Christman 383/38 X
6,129,210 A * 10/2000 Rustemeyer et al. 383/38 X

FIG. 5 is a top plan view illustrating the top central zipper in an open position and the top central flap open to disclose the central storage pocket and with the left flap covering the three left pockets and with the right flap covering the three right pockets; and,

* cited by examiner

FIG. 6 is a side elevational view with the top central zipper closed and the side flap closed and covering the three side pockets and a flap over each end pocket.

Primary Examiner—Louis S. Zarfes

Assistant Examiner—Monica A. Weingart

The straps in FIG. 2 are shown broken away to indicate indeterminate length.

1 Claim, 6 Drawing Sheets





FIG. 1

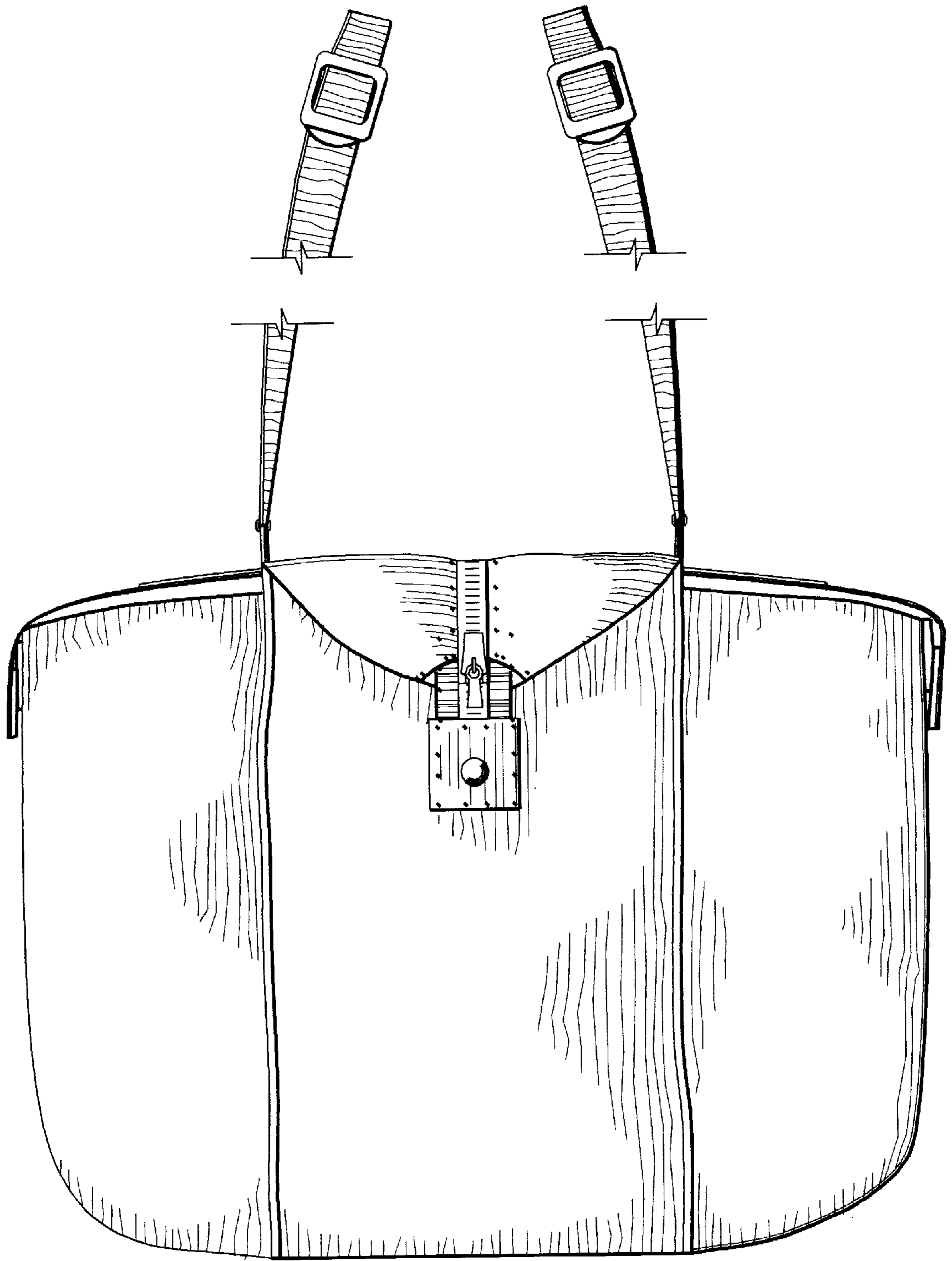


FIG. 2

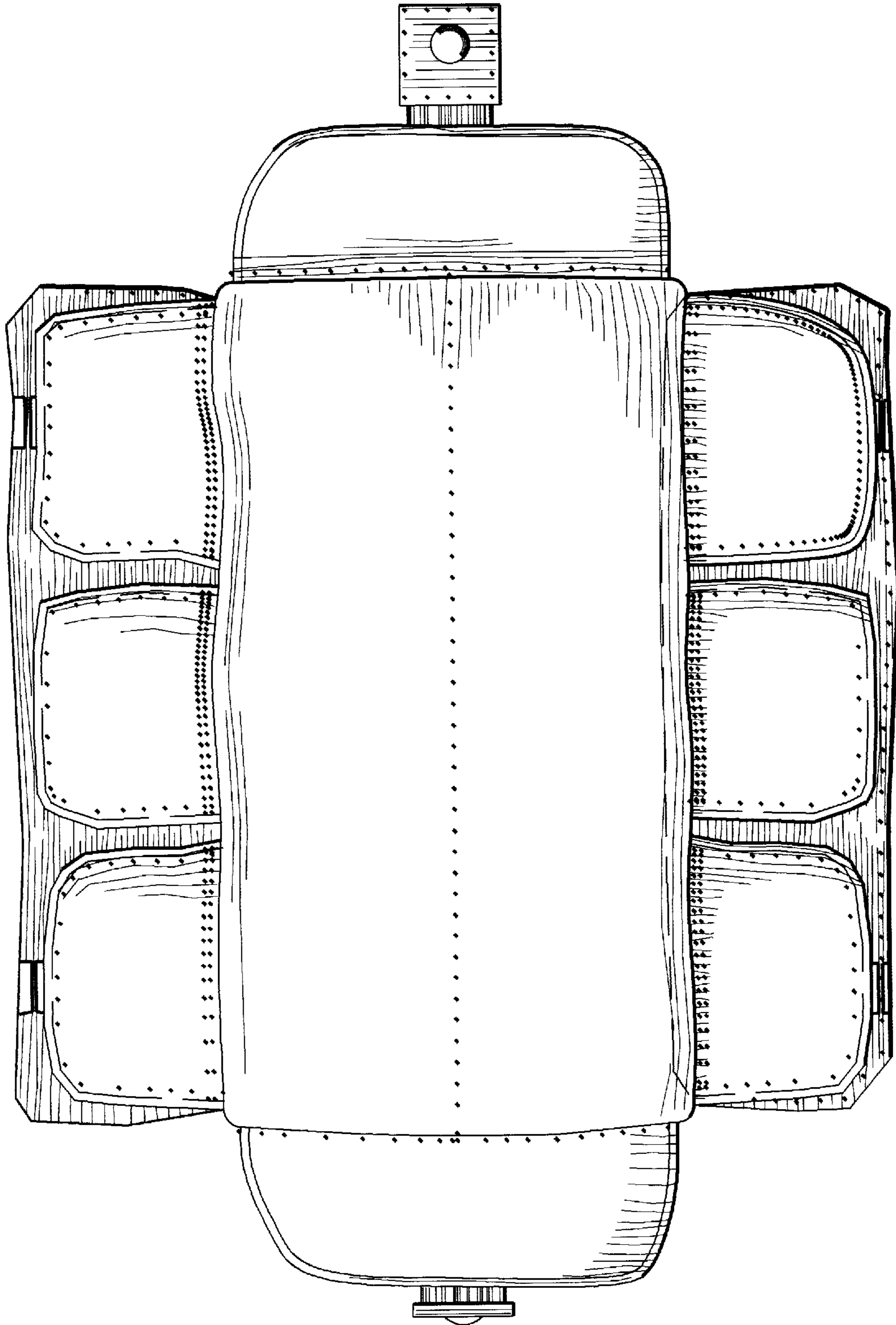


FIG. 3

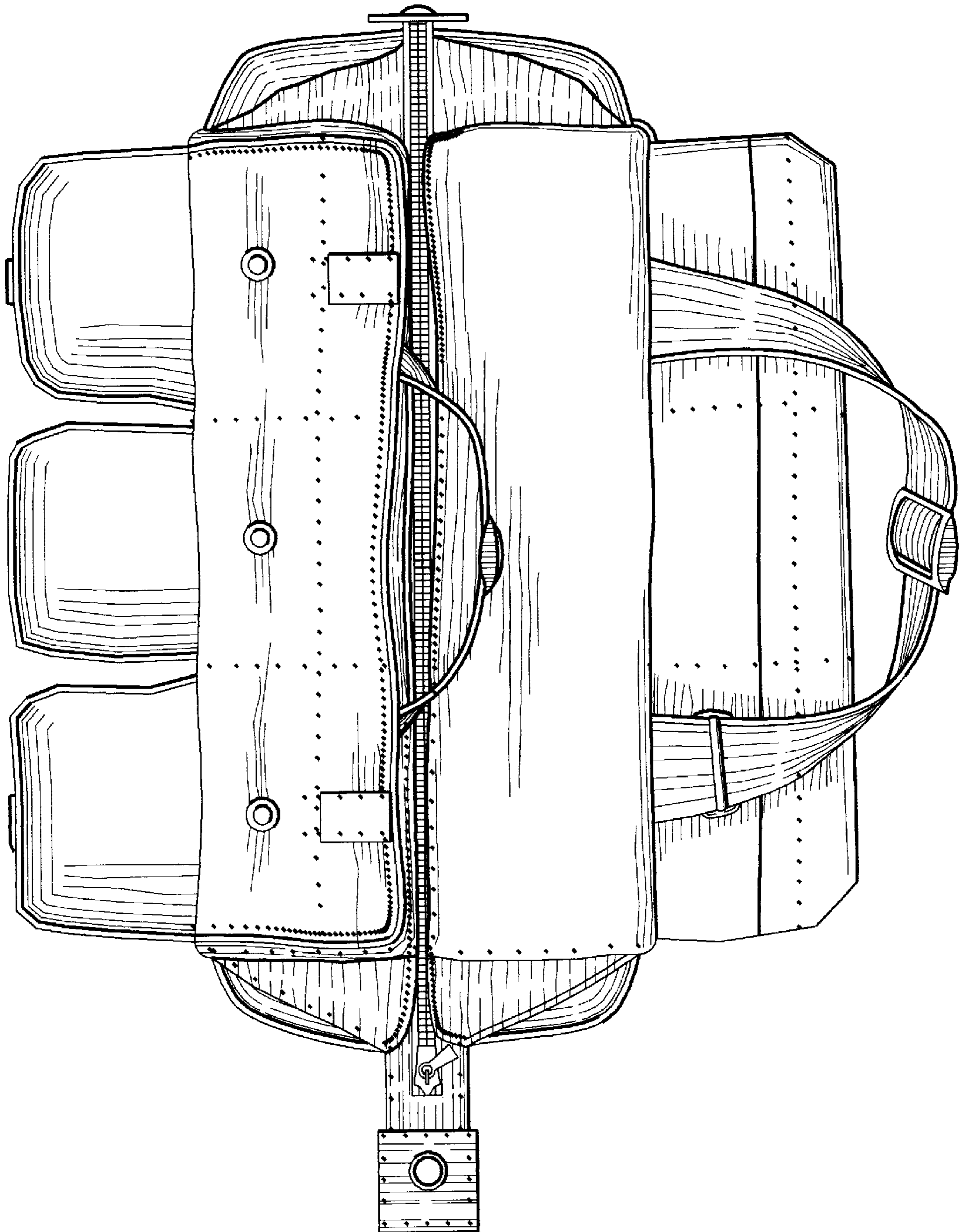


FIG. 4

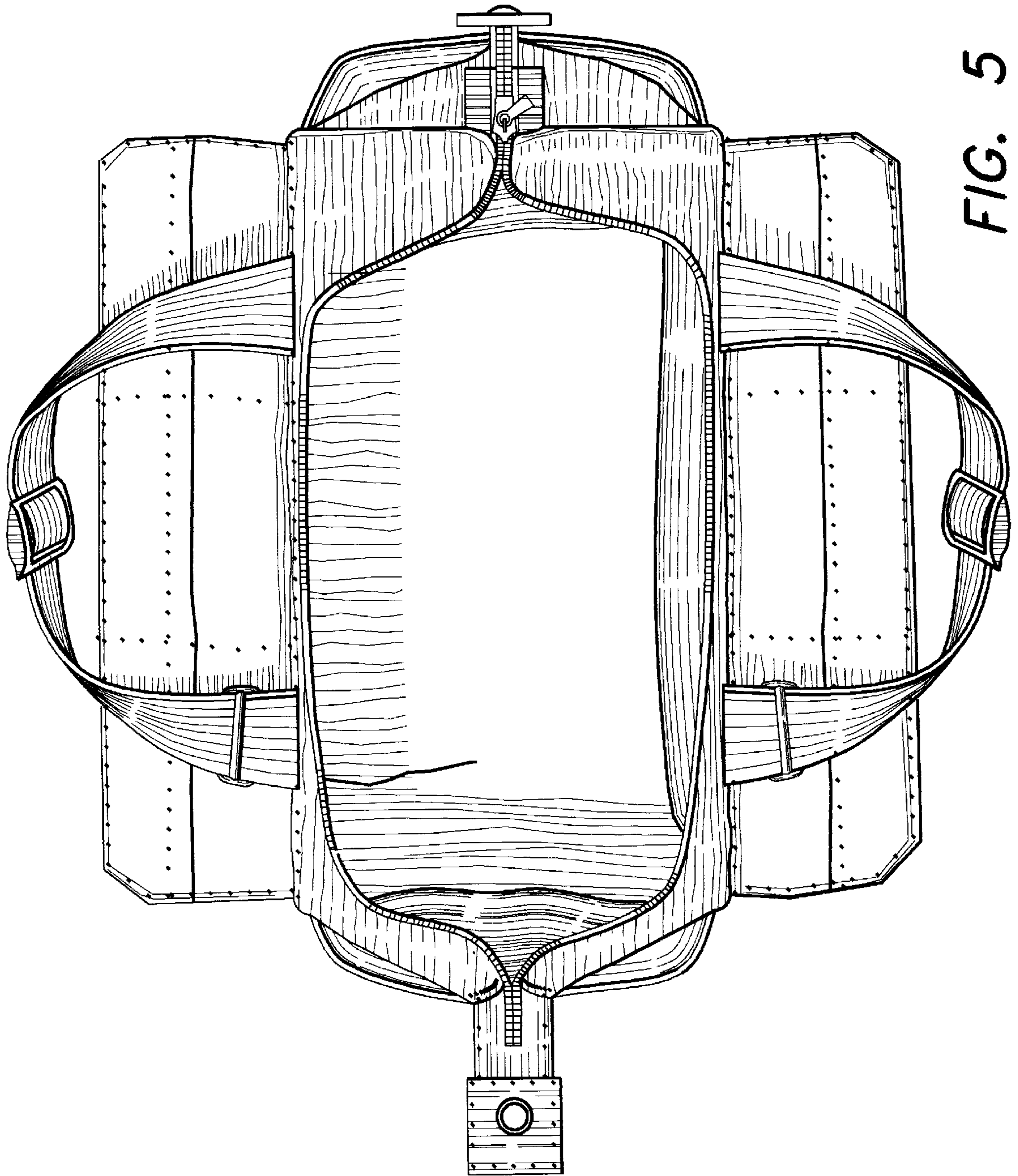


FIG. 5

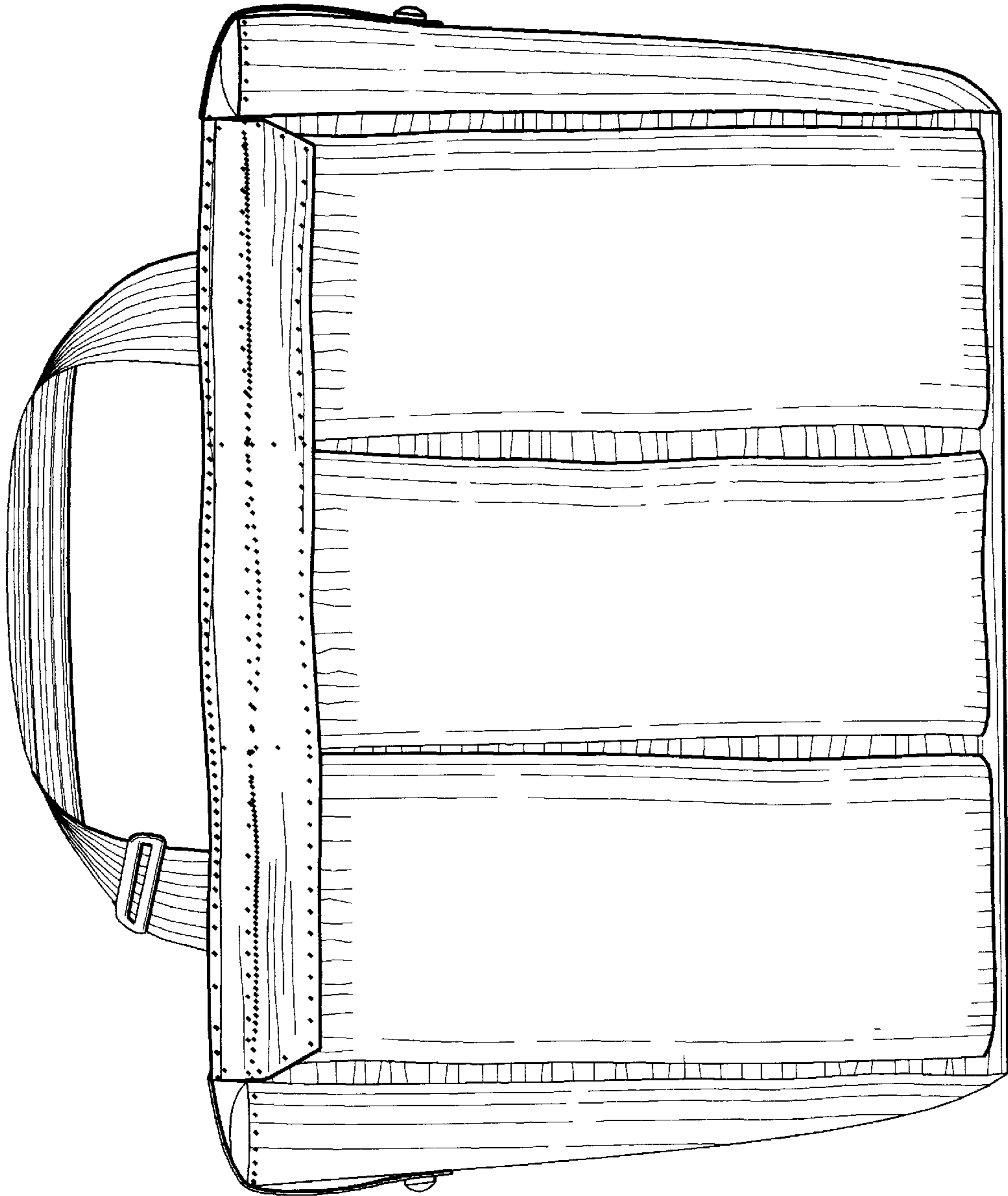


FIG. 6