



US00D453873S

(12) **United States Design Patent**  
**Blanking**

(10) **Patent No.:** **US D453,873 S**

(45) **Date of Patent:** **\*\* Feb. 26, 2002**

(54) **BACKPACK**

(75) Inventor: **Jonas Blanking, Malmö(SE)**

(73) Assignee: **Global Act AB (SE)**

(\*\*) Term: **14 Years**

(21) Appl. No.: **29/088,953**

(22) Filed: **Jun. 4, 1998**

**Related U.S. Application Data**

(63) Continuation of application No. PCT/SE97/02032, filed on Dec. 5, 1997, now abandoned.

(30) **Foreign Application Priority Data**

Dec. 5, 1997 (SE) ..... 97-2624

(51) **LOC (7) Cl.** ..... **03-01**

(52) **U.S. Cl.** ..... **D3/217; D3/216**

(58) **Field of Search** ..... **D3/216, 217; 224/153, 224/630, 632, 148.1, 148.7, 8, 209, 210**

(56) **References Cited**

**U.S. PATENT DOCUMENTS**

3,064,867 A	11/1962	Pinkham et al.	
D214,476 S *	6/1969	Maxwell	D3/217
3,622,056 A	11/1971	Droeger	
3,679,108 A	7/1972	Ingram	
3,846,855 A *	11/1974	Peterson	224/153
3,902,640 A	9/1975	Geiben	224/8
3,960,300 A	6/1976	Dickler	224/8
4,088,252 A	5/1978	Grunberger	224/8
D249,188 S *	8/1978	Stewart	D3/217
4,420,103 A	12/1983	Douglass	224/210
4,750,654 A *	6/1988	Menetrier	224/630
5,004,135 A *	4/1991	Dufournet et al.	224/632
5,255,834 A	10/1993	Bendersky	224/209
5,320,262 A *	6/1994	Levis	224/630
5,370,287 A	12/1994	Cormier	
D355,297 S *	2/1995	Ash, Jr.	D3/217
5,573,155 A	11/1996	Sadler	224/155
5,634,576 A	6/1997	Arbel	
D404,909 S *	2/1999	Fichter	D3/216
5,890,640 A *	4/1999	Thompson	224/630

**FOREIGN PATENT DOCUMENTS**

DE 33 23 763 1/1985

DE	295 06 601.6	7/1995
EP	0 328 470	8/1989
EP	0 503 075	9/1992
EP	0 744 138	11/1996
EP	0748599 A1	12/1996
FR	2 646 998	5/1989
SE	503774	9/1996
WO	WO 97/17866	5/1997
WO	WO 98/30126	7/1998

\* cited by examiner

*Primary Examiner*—Celia Murphy

(74) *Attorney, Agent, or Firm*—Smith, Gambrell & Russell, LLP

(57) **CLAIM**

The ornamental design for a backpack, as shown and described.

**DESCRIPTION**

FIG. 1 is a perspective view showing the rear side and the left-hand side of a backpack according to the invention.

FIG. 2 is a perspective view according to FIG. 1, showing the backpack with an open lid.

FIG. 3 is a perspective view according to FIG. 1 showing the backpack in an extended state.

FIG. 4 is a perspective view according to FIG. 3 showing the backpack in extended state and with open lid.

FIG. 5 is a perspective view showing the backpack from the front side and the right-hand side.

FIG. 6 is a perspective view showing the rear side (inside) and left-hand side of a harness forming part of the backpack of FIGS. 1-5.

FIG. 7 is a perspective view showing the front side and the right-hand side of a harness according to FIG. 6.

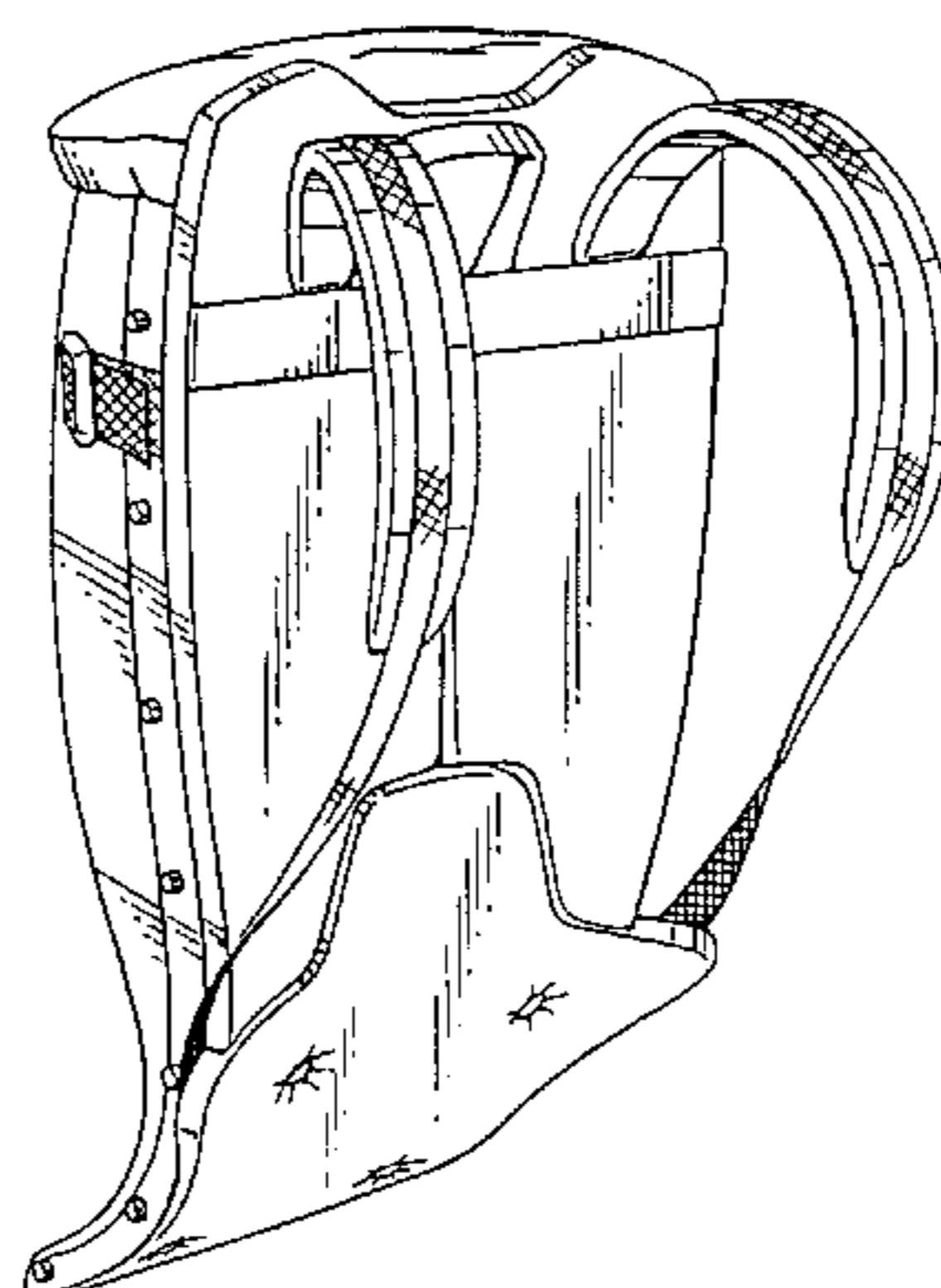
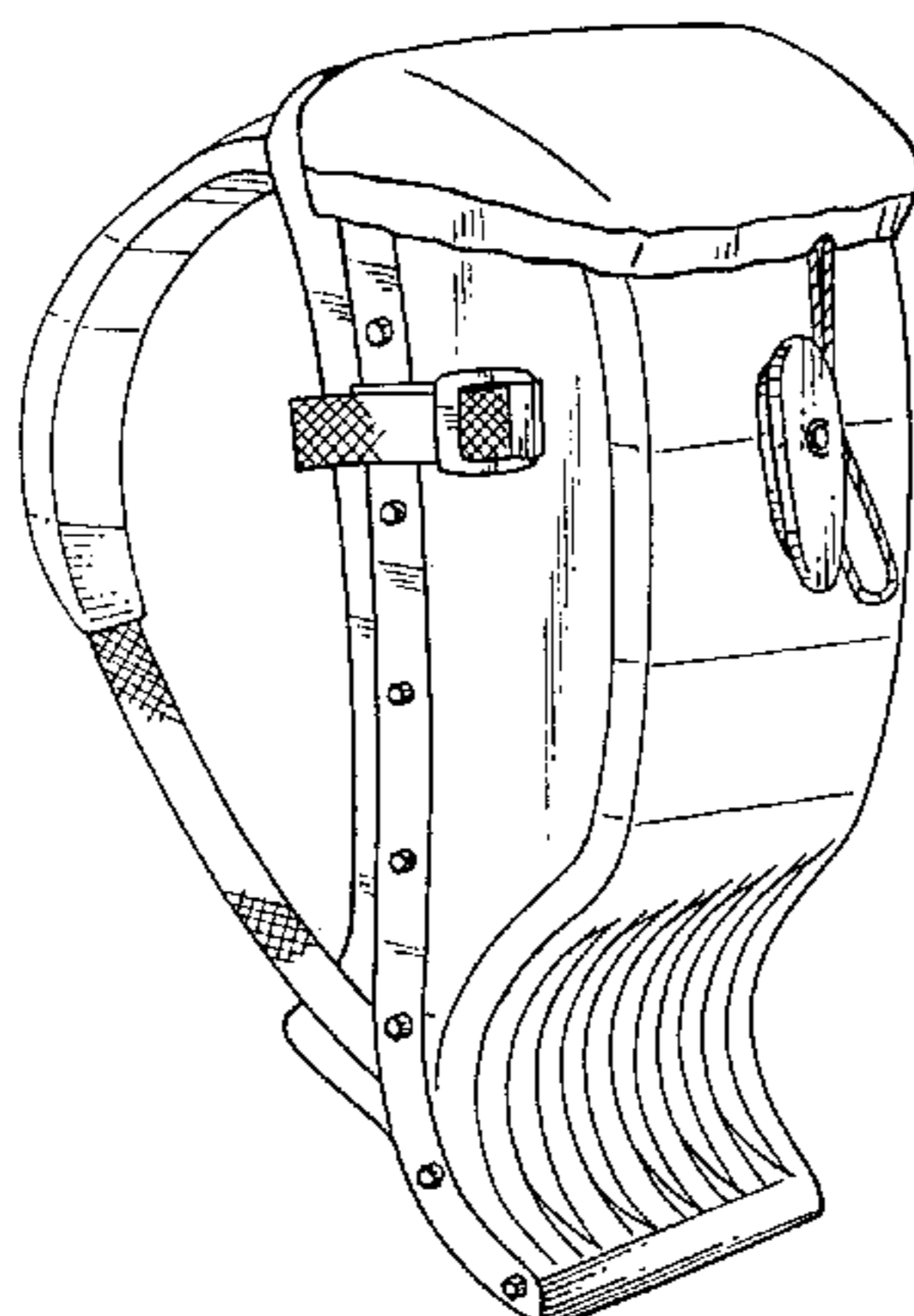
FIG. 8 is a perspective view from the rear side and the left-hand side of a shell forming part of the backpack according to FIGS. 1-5; and,

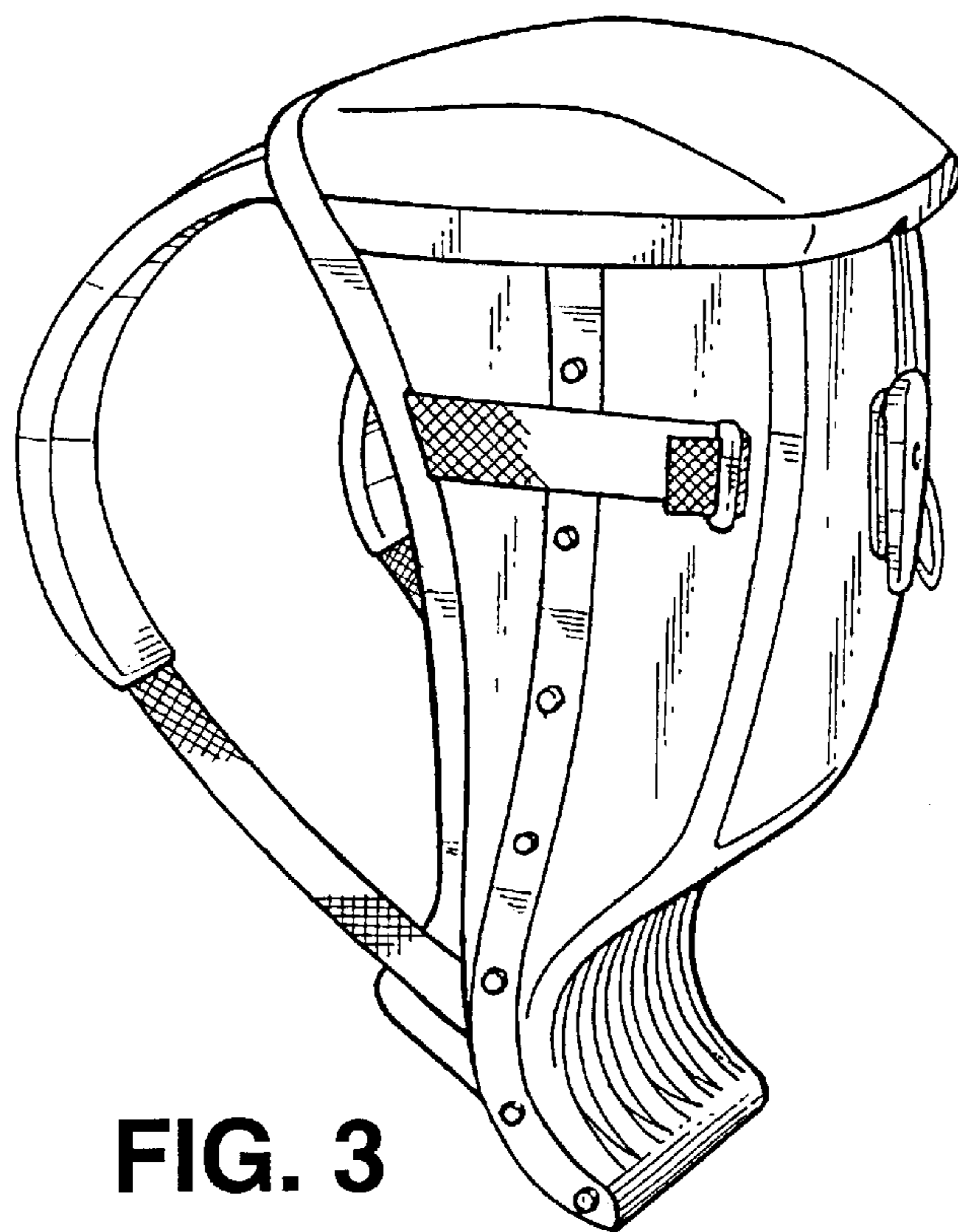
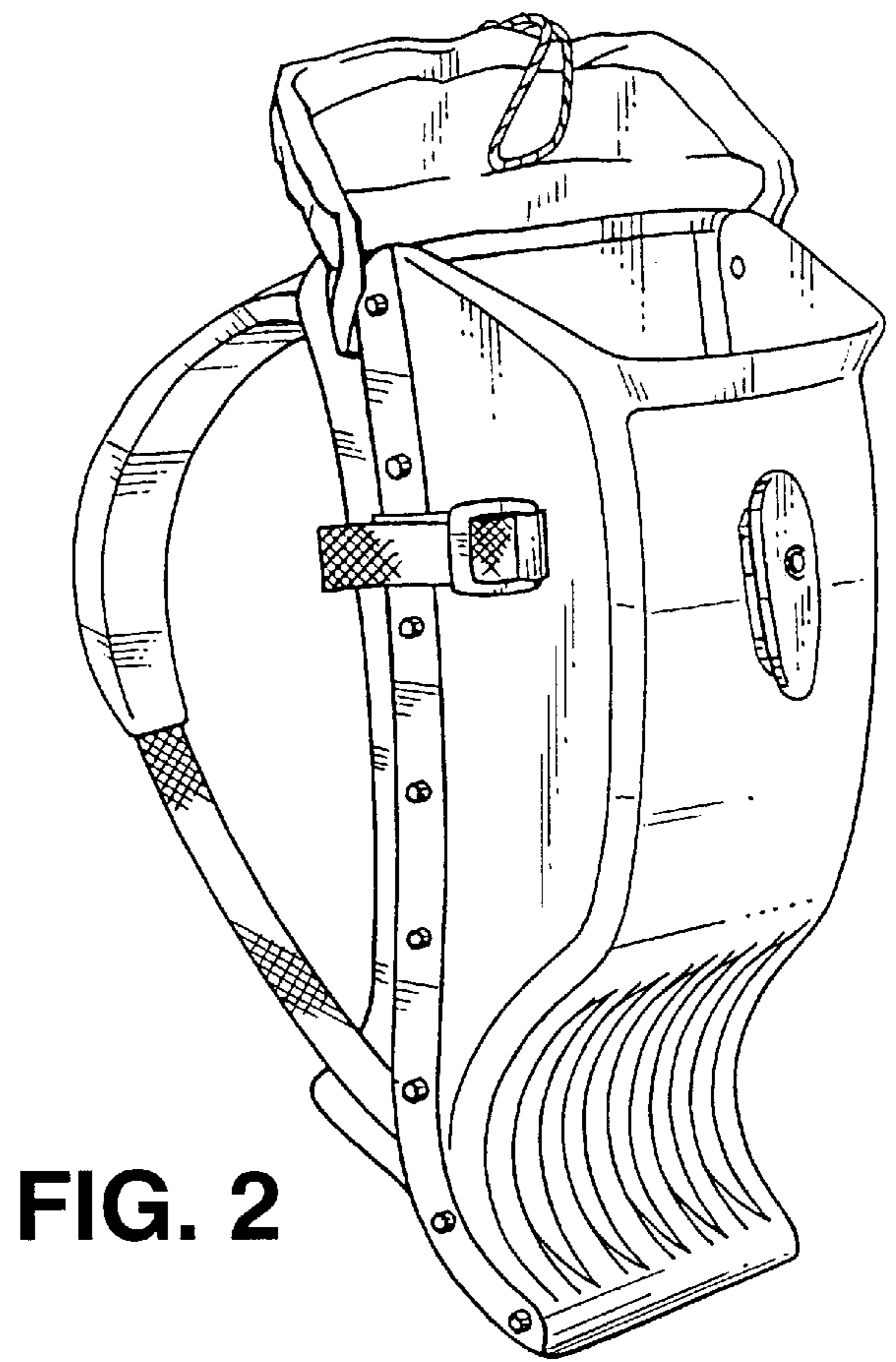
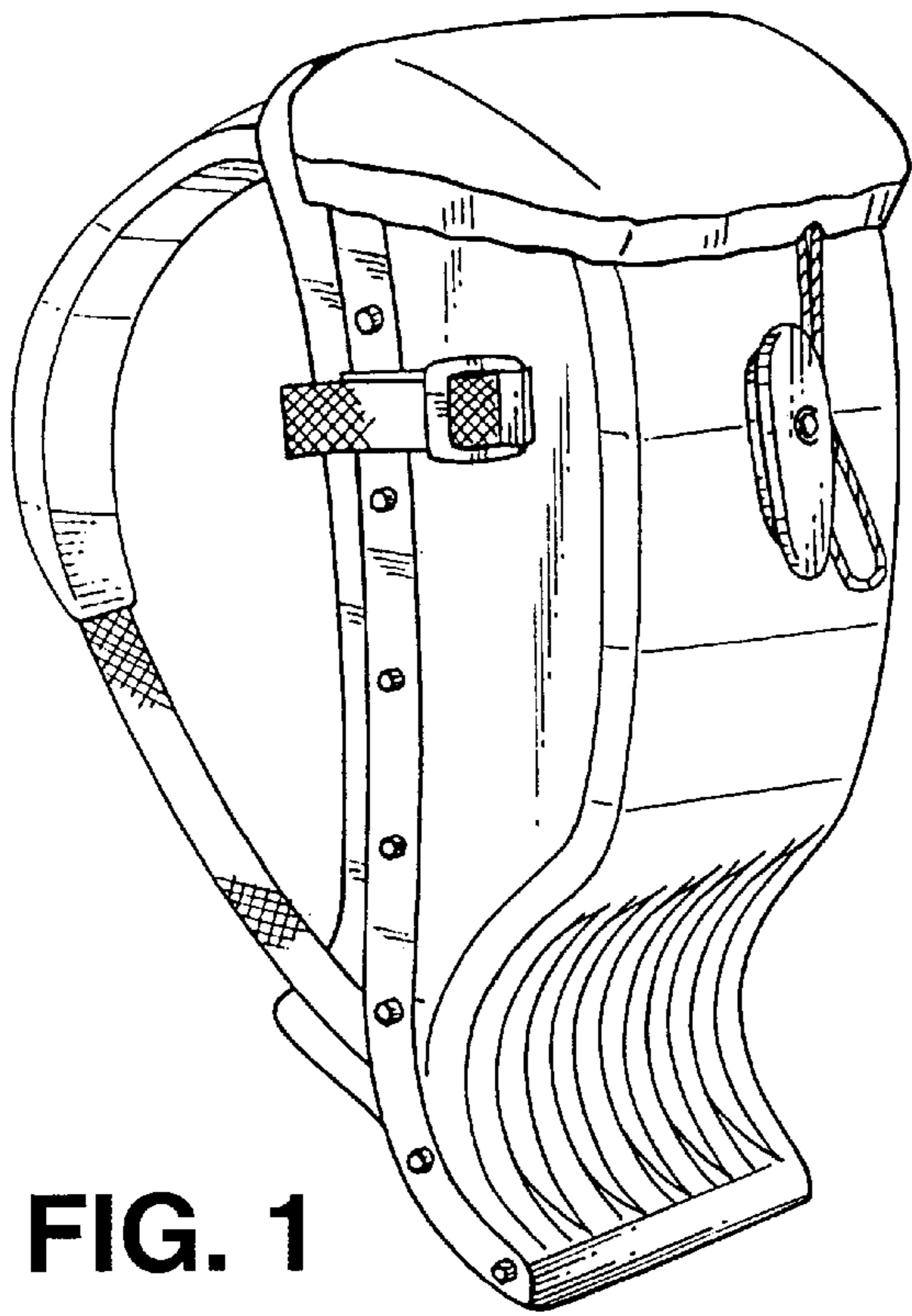
FIG. 9 is a perspective view from the front side (inside) and right-hand side of the shell according to FIG. 8.

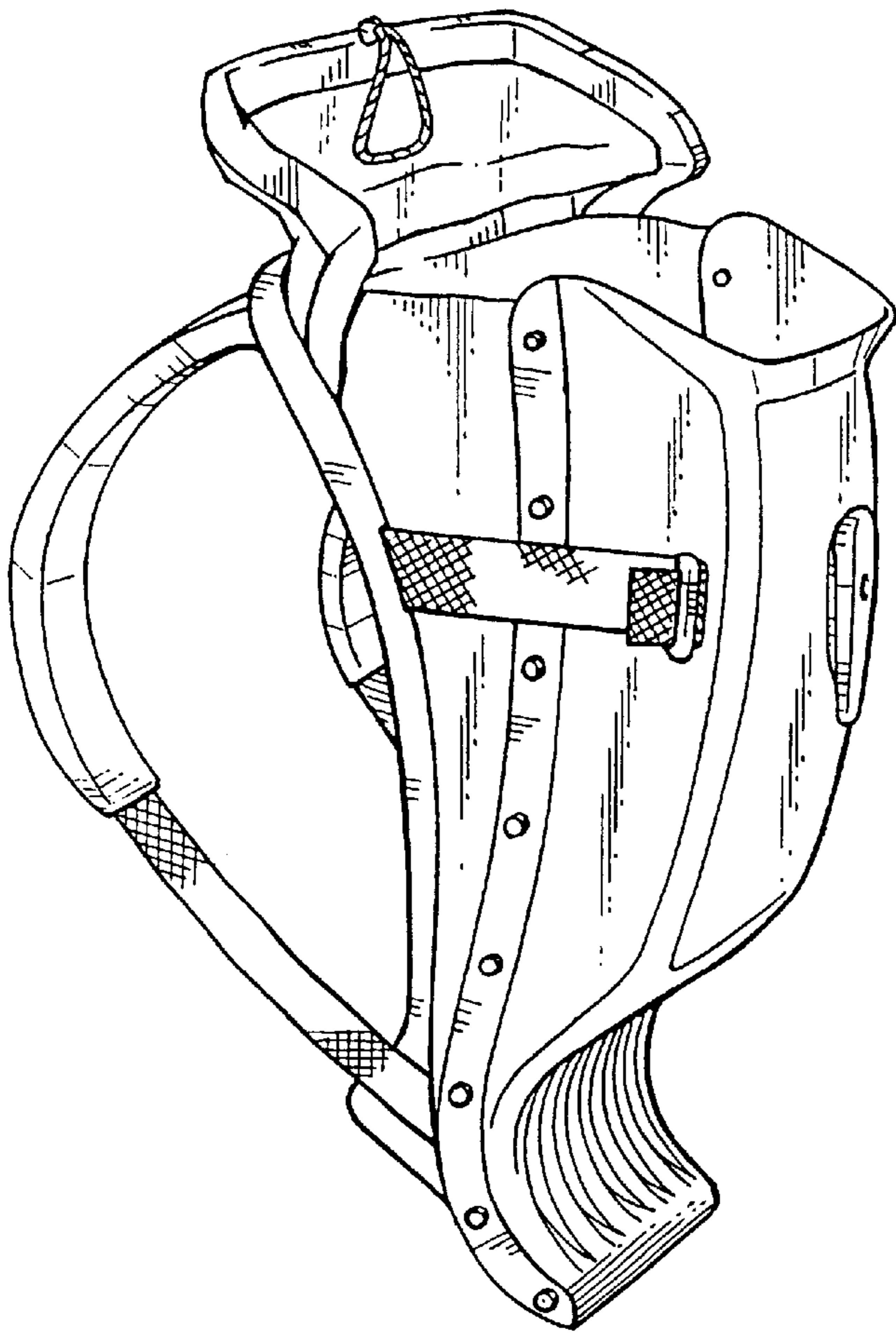
FIGS. 6 through 9 are included for clarity of illustration.

Those portions of the design which are not shown do not form any part of the claimed design.

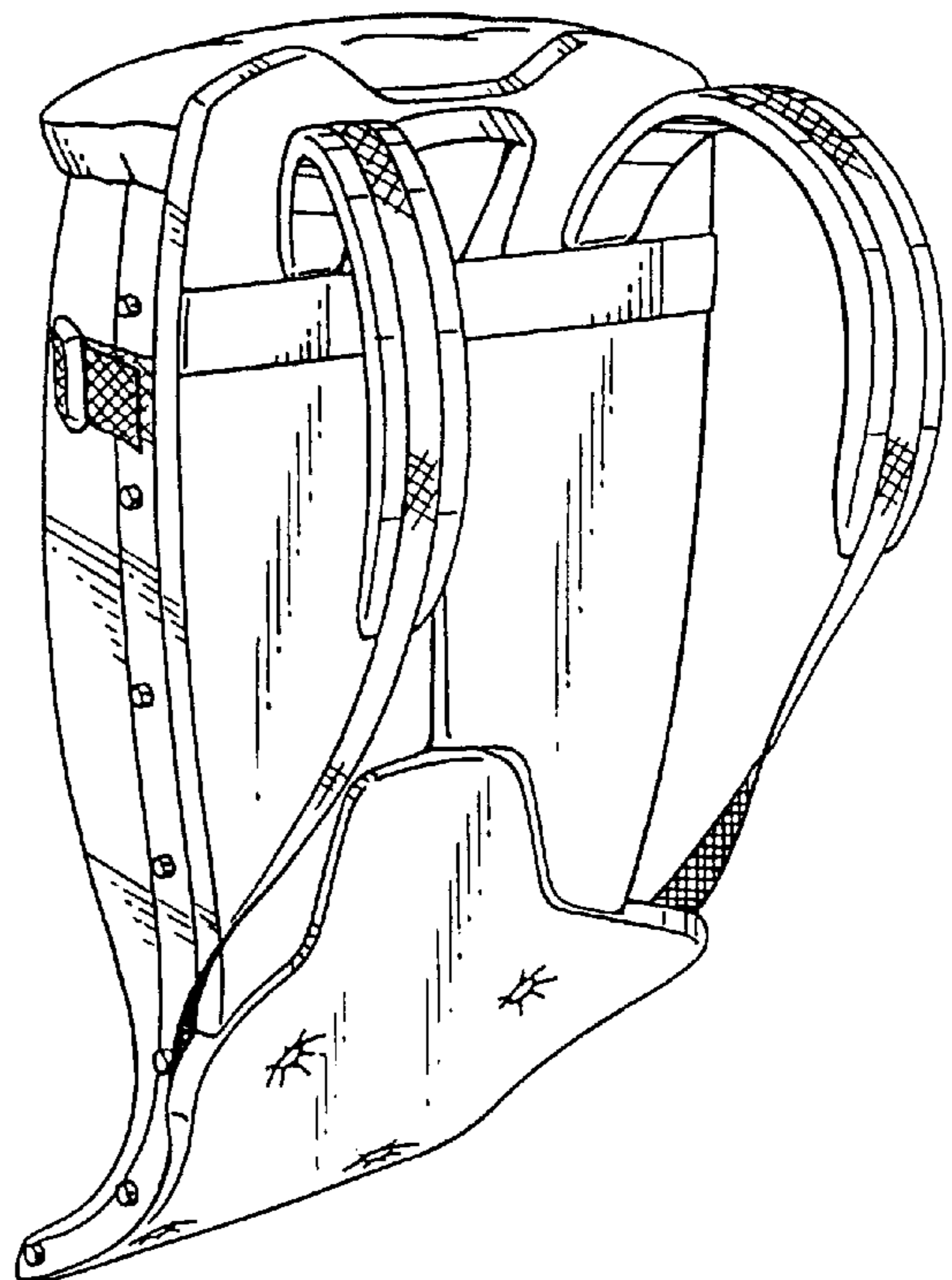
**1 Claim, 4 Drawing Sheets**



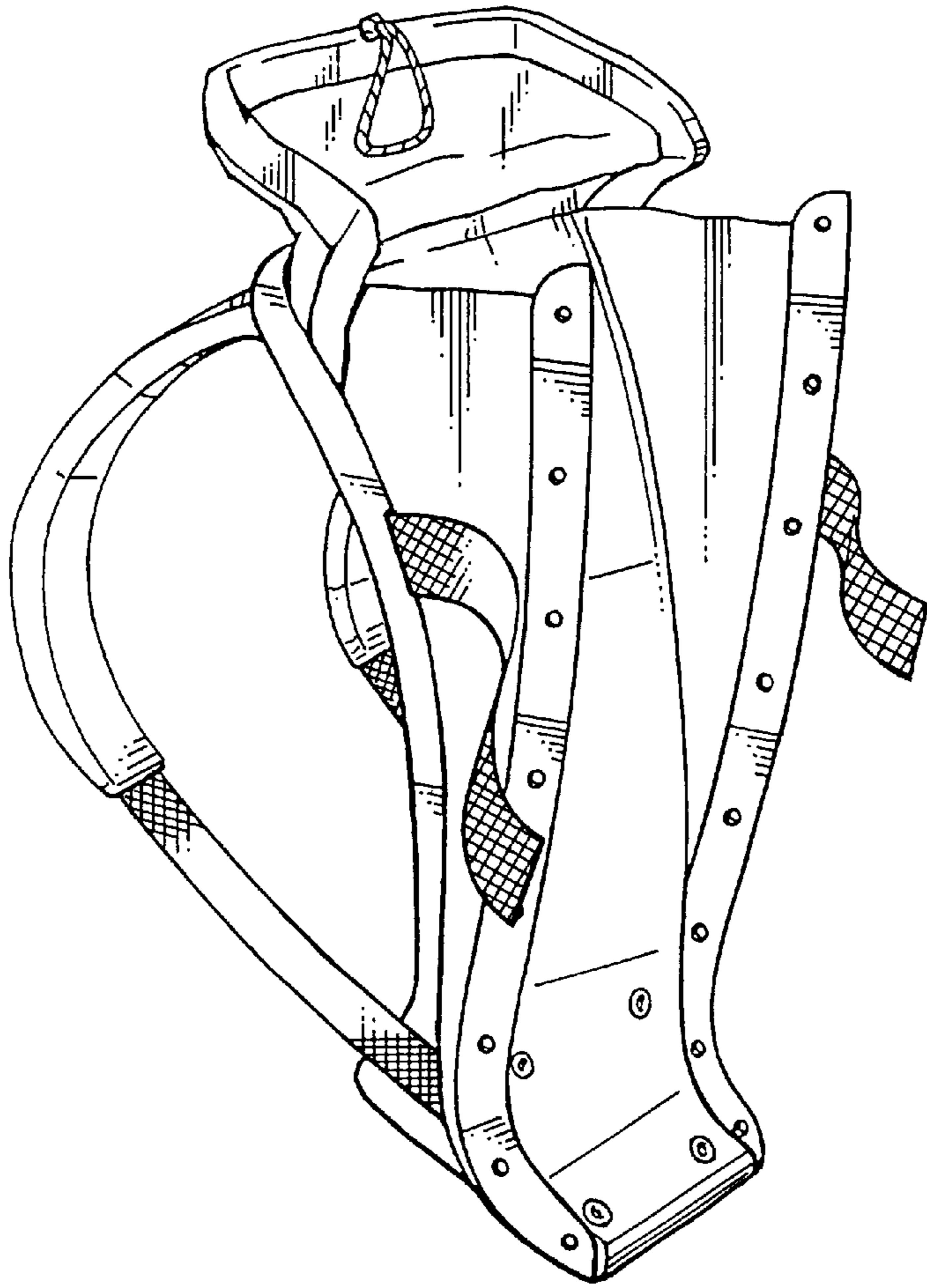




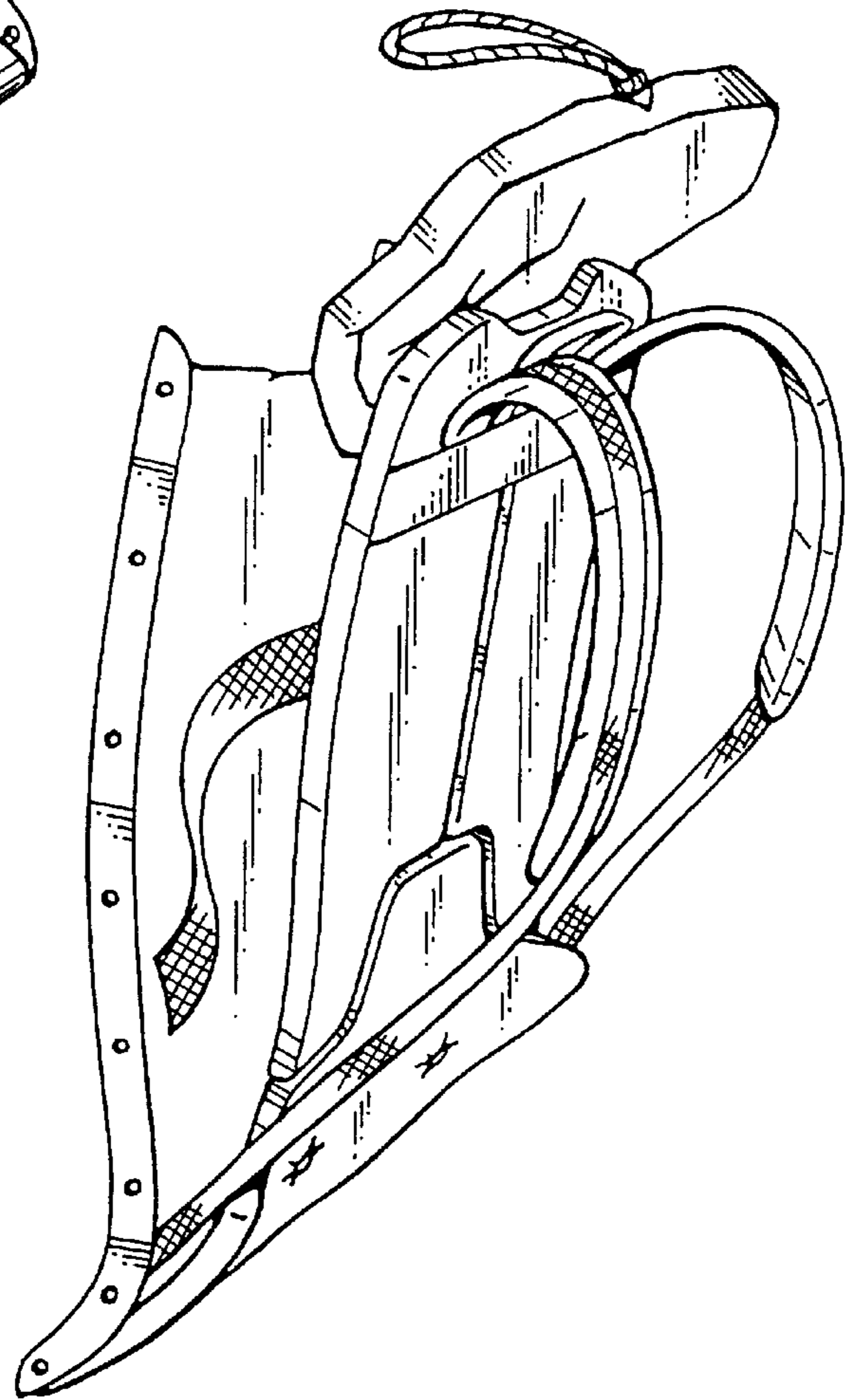
**FIG. 4**



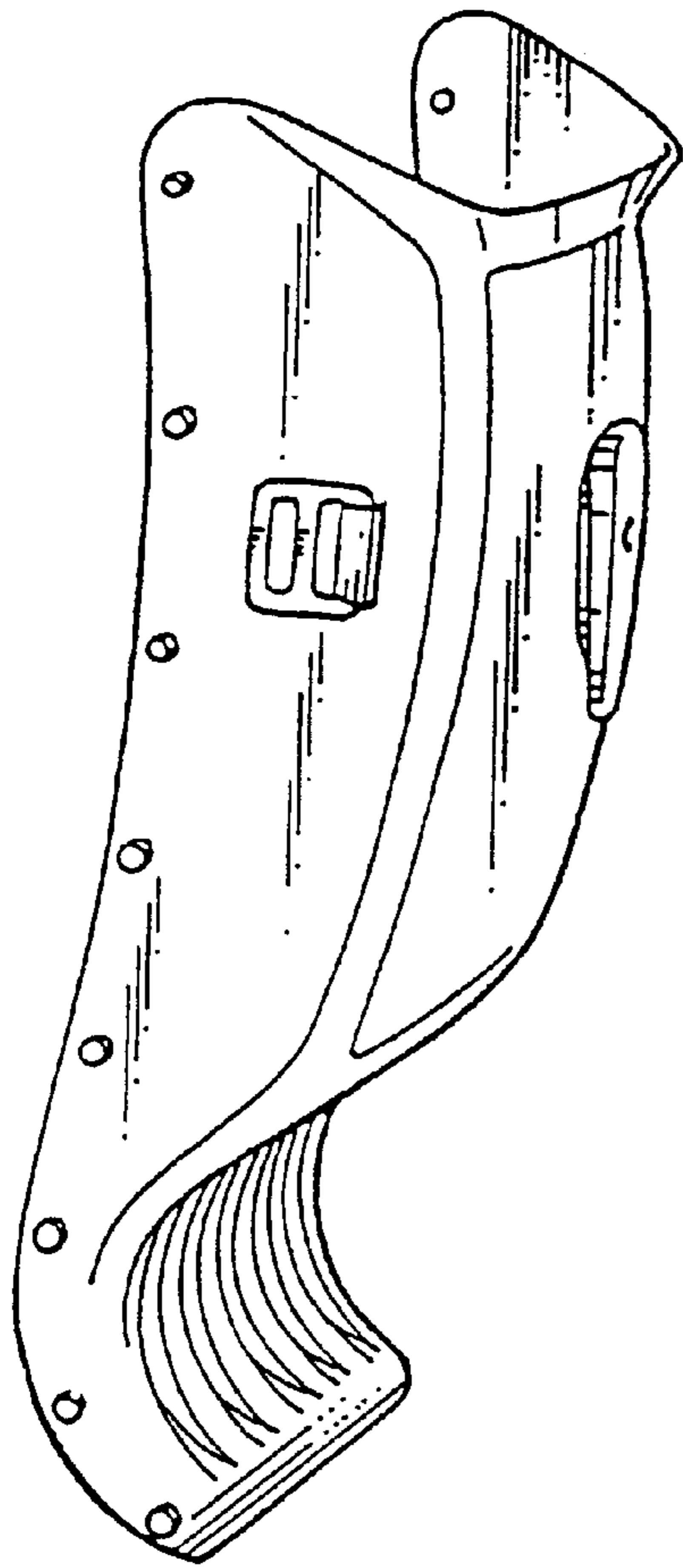
**FIG. 5**



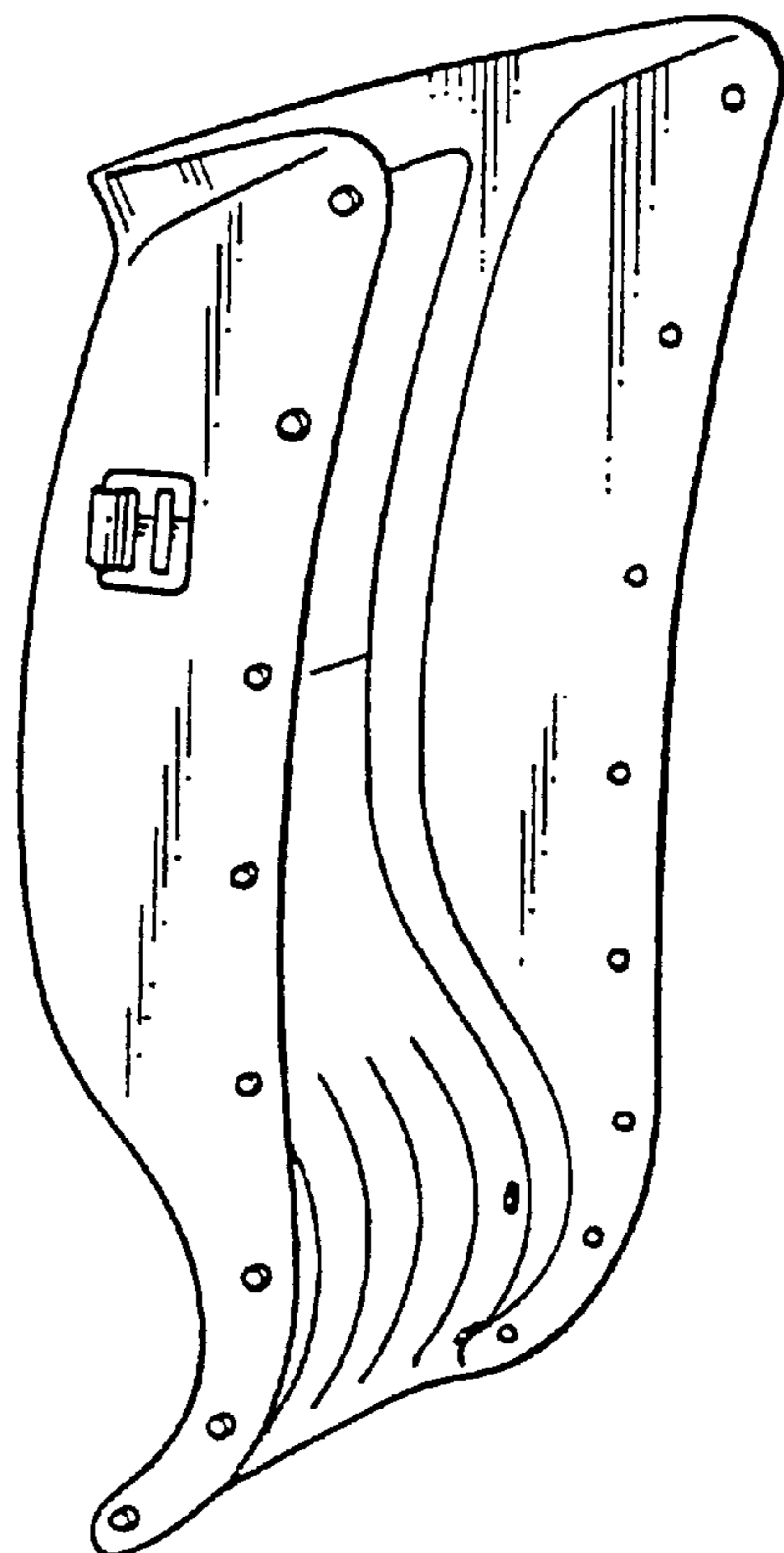
**FIG. 6**



**FIG. 7**



**FIG. 8**



**FIG. 9**