



US00D453870S

(12) **United States Design Patent**
Lin

(10) **Patent No.:** **US D453,870 S**

(45) **Date of Patent:** **** Feb. 19, 2002**

(54) **GARBAGE CAN**

(76) **Inventor:** **Tsong-Yow Lin**, 58, Ma Yuan West St.,
Taichung (TW)

(**) **Term:** **14 Years**

(21) **Appl. No.:** **29/146,188**

(22) **Filed:** **Aug. 3, 2001**

(51) **LOC (7) Cl.** **09-09**

(52) **U.S. Cl.** **D34/9**

(58) **Field of Search** D34/1, 7, 8, 9,
D34/10; D32/37; 232/43.2, 1 B, 1 E; 220/262,
263, 908, 913, 909

(56) **References Cited**

U.S. PATENT DOCUMENTS

D102,512 S	*	12/1936	Stallings et al.	D34/9
2,096,578 A	*	10/1937	Flanagan	D34/9 X
D108,642 S	*	3/1938	Geibel	D34/9
D118,374 S	*	1/1940	Kamenstein	D34/9
2,246,975 A	*	6/1941	Geibel	D34/9 X
D145,970 S	*	11/1946	Bloomfield	D34/9

D241,499 S	*	9/1976	Raftery	D34/9
4,081,105 A	*	3/1978	Dagonnet et al.	220/263
D435,951 S	*	1/2001	Yang et al.	D34/9
D447,308 S	*	8/2001	Lin	D34/9
D447,611 S	*	9/2001	Lin	D34/9

* cited by examiner

Primary Examiner—Cynthia E. Ramirez

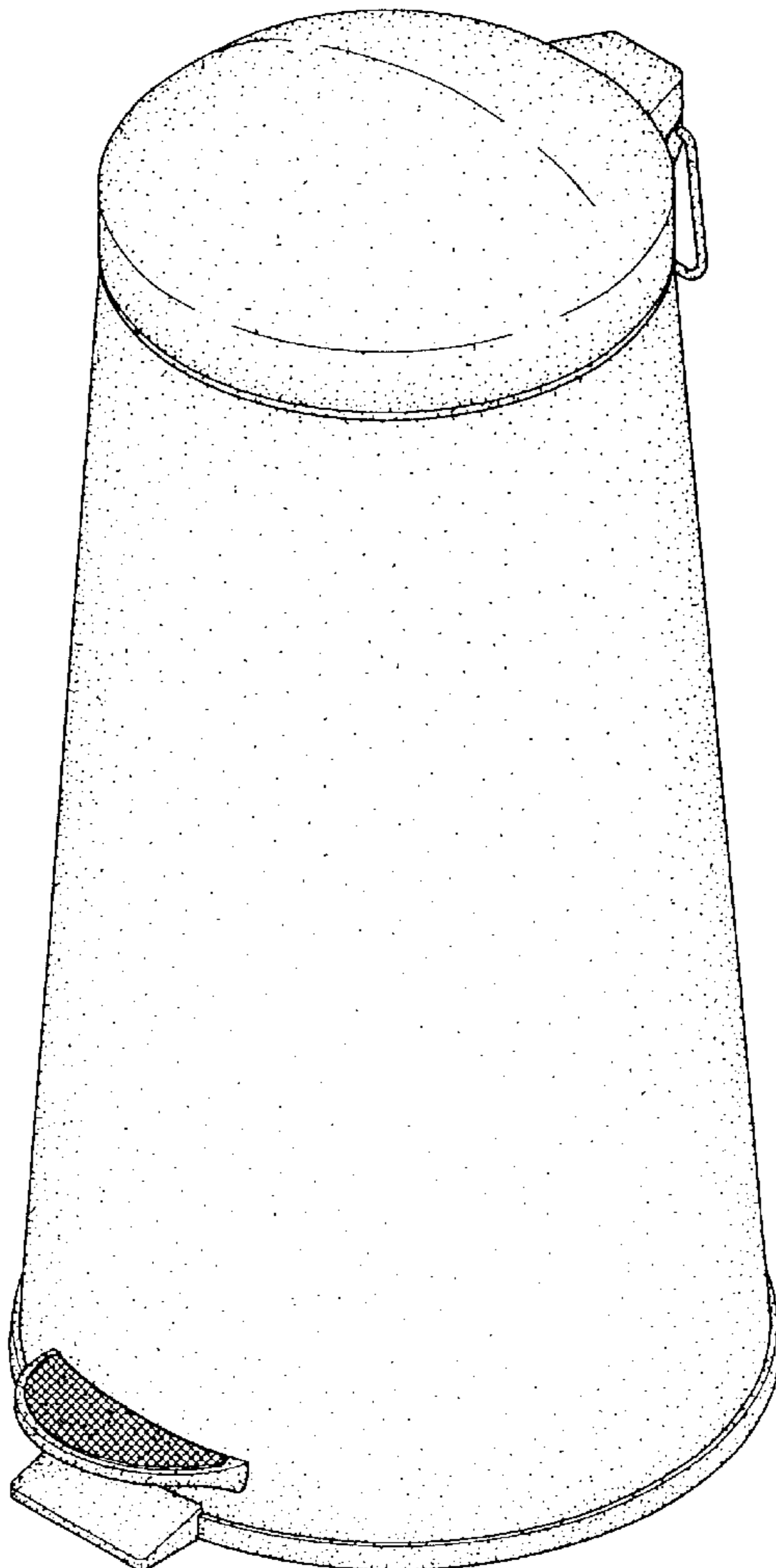
(57) **CLAIM**

The ornamental design for a garbage can, as shown and described.

DESCRIPTION

FIG. 1 is a perspective view of a garbage can showing my new design;
 FIG. 2 is a front elevational view thereof;
 FIG. 3 is a rear elevational view thereof;
 FIG. 4 is a left side elevational view thereof.
 FIG. 5 is a right side elevational view thereof;
 FIG. 6 is a top plan view thereof; and,
 FIG. 7 is a bottom plan view thereof.

1 Claim, 7 Drawing Sheets



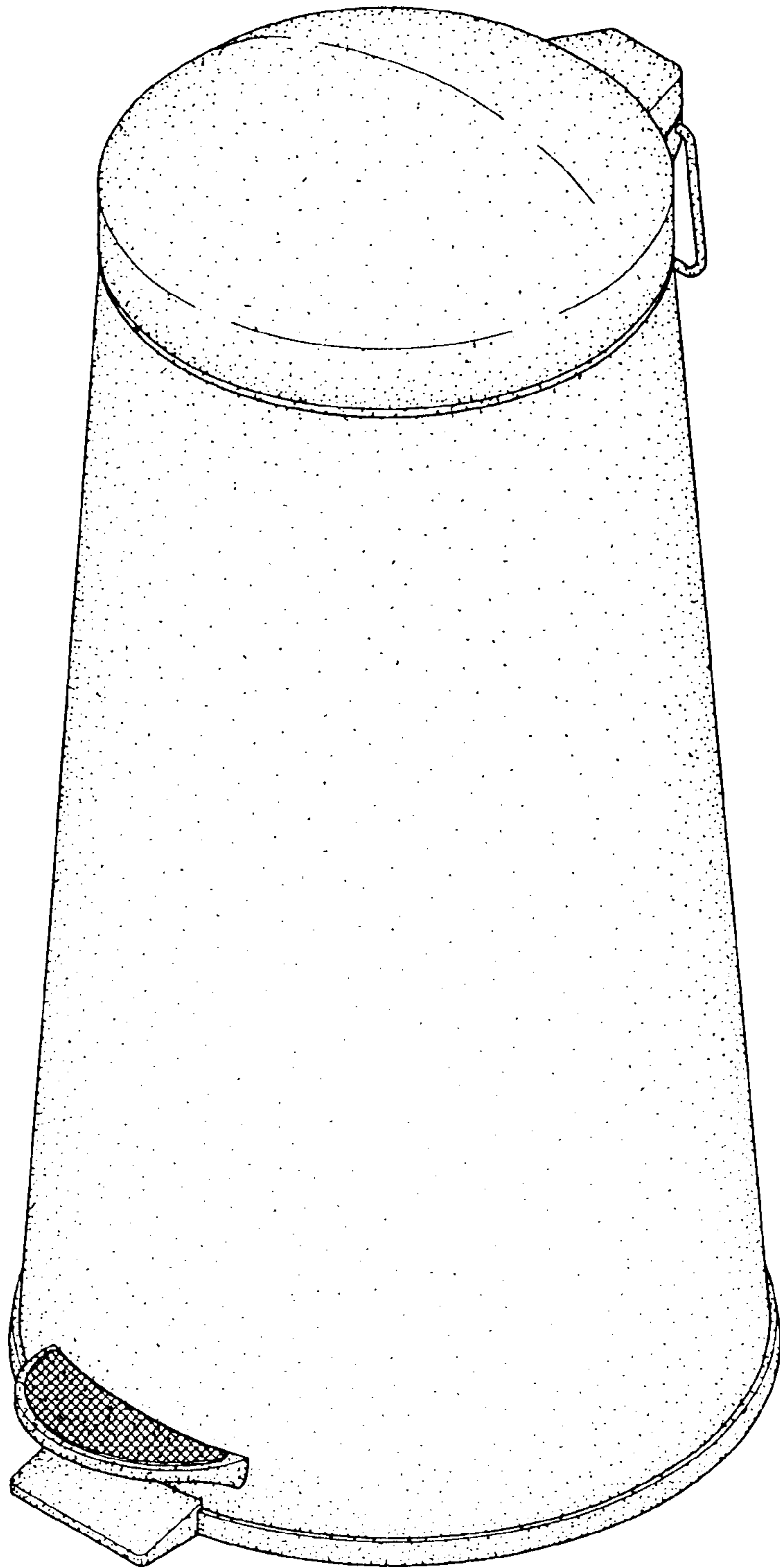


FIG. 1

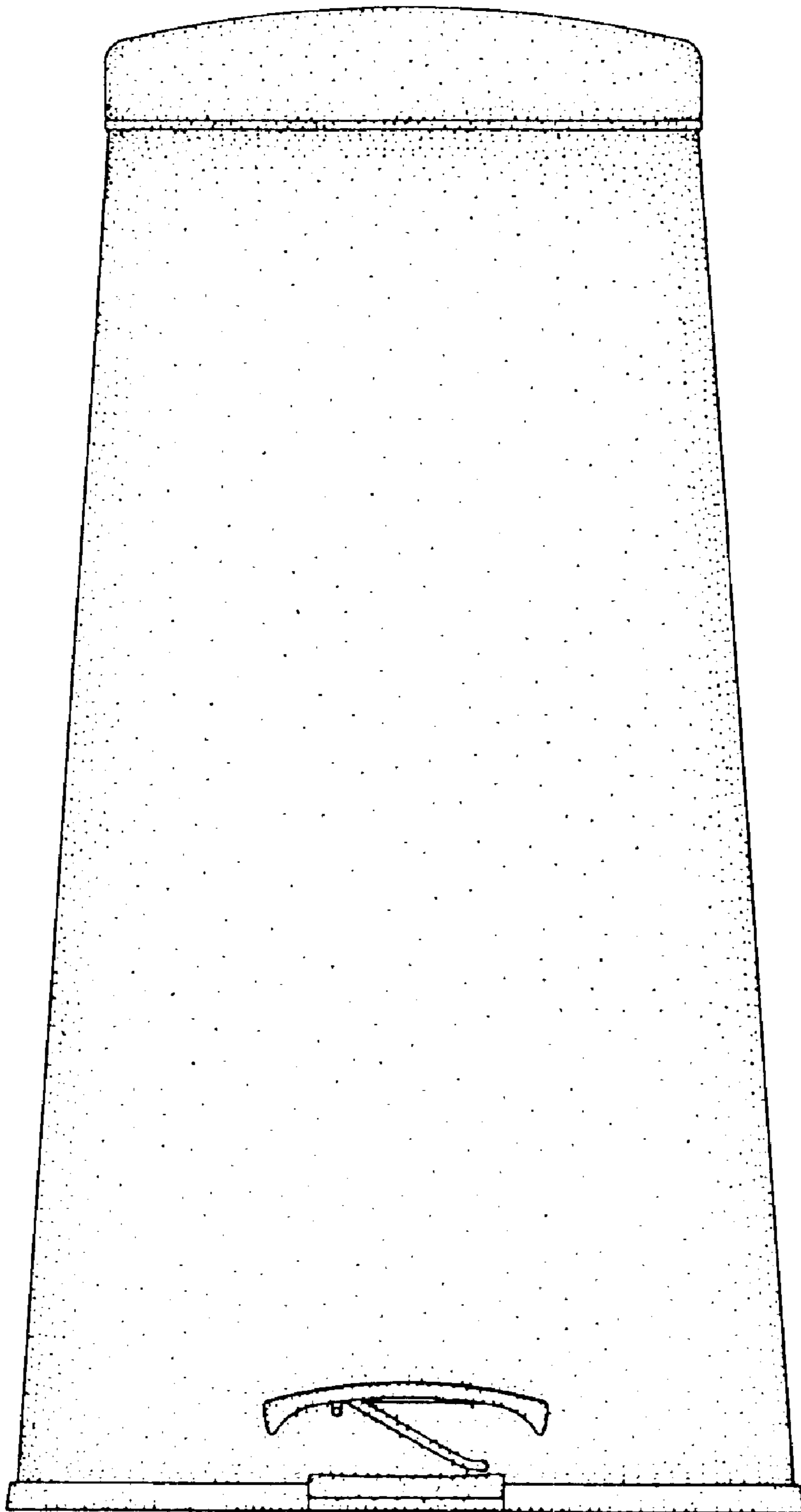


FIG. 2

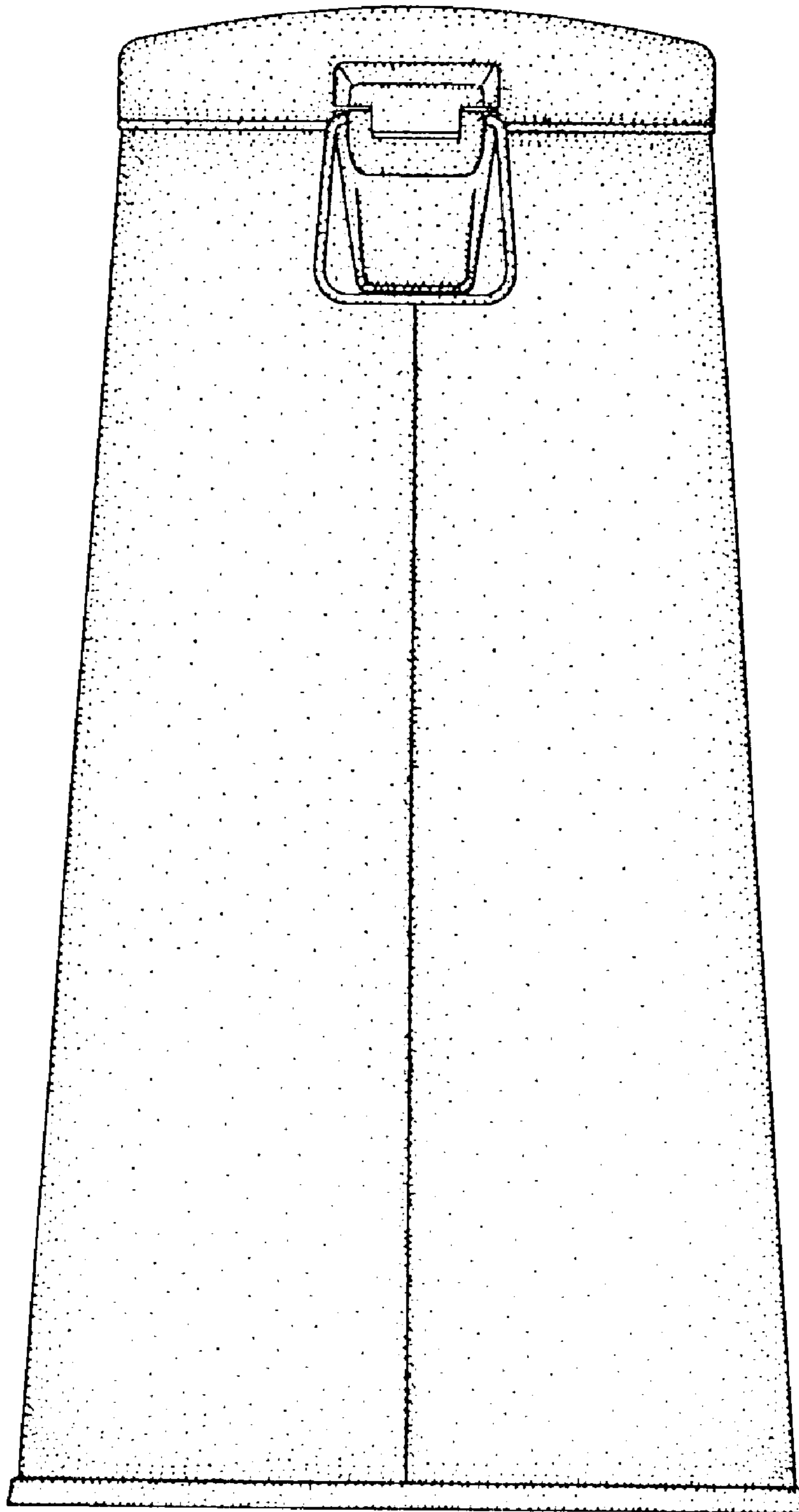


FIG. 3

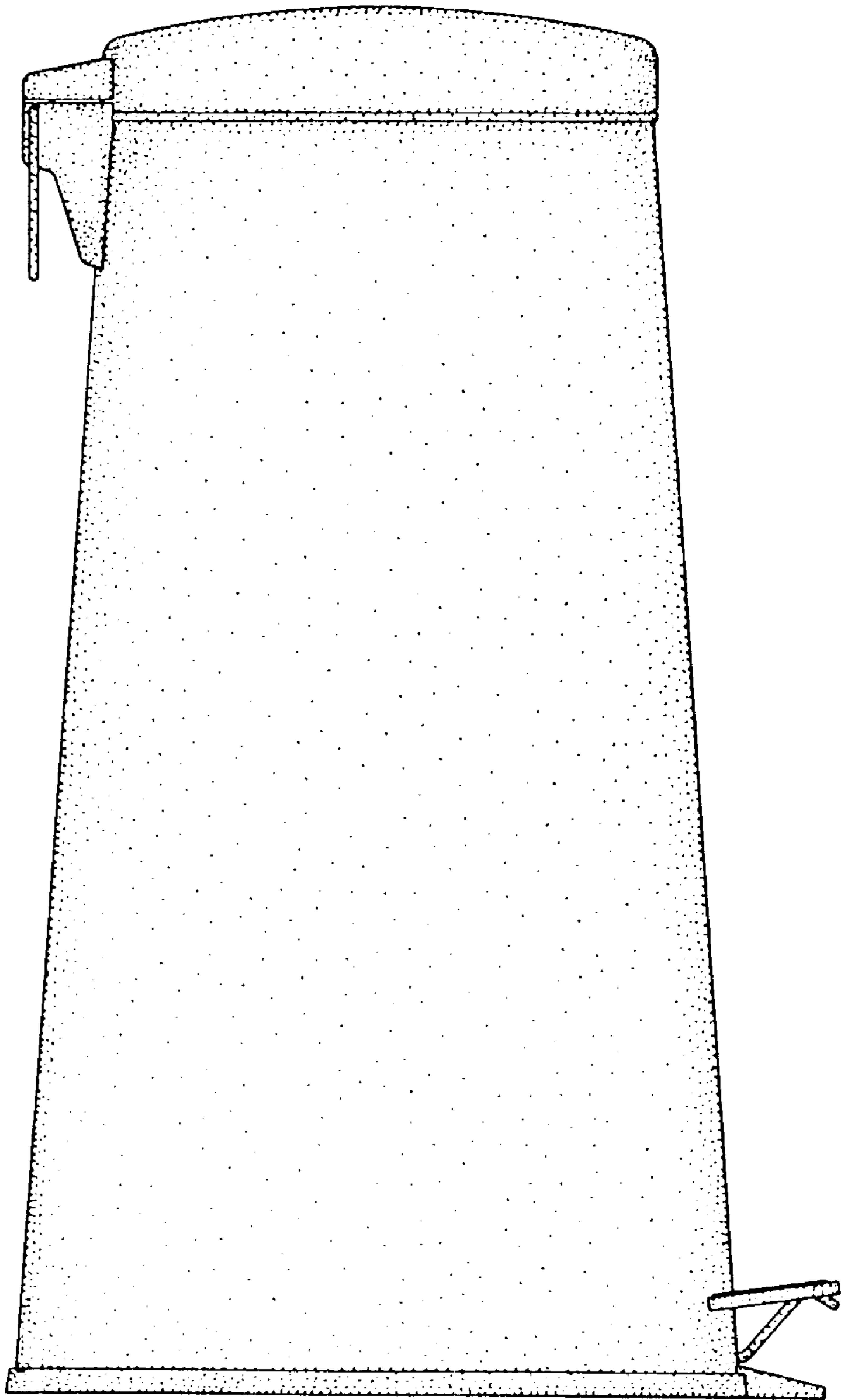


FIG. 4

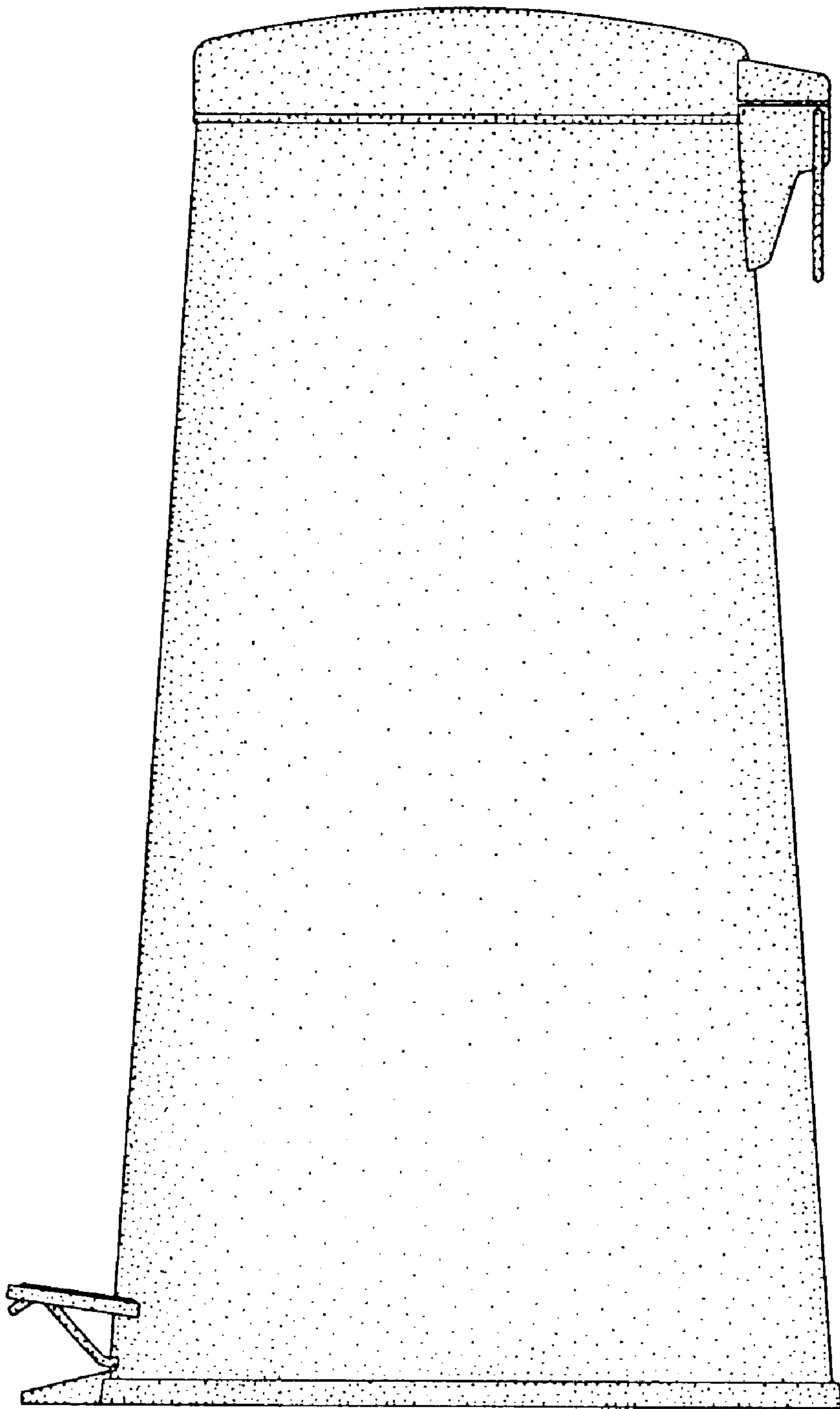


FIG. 5

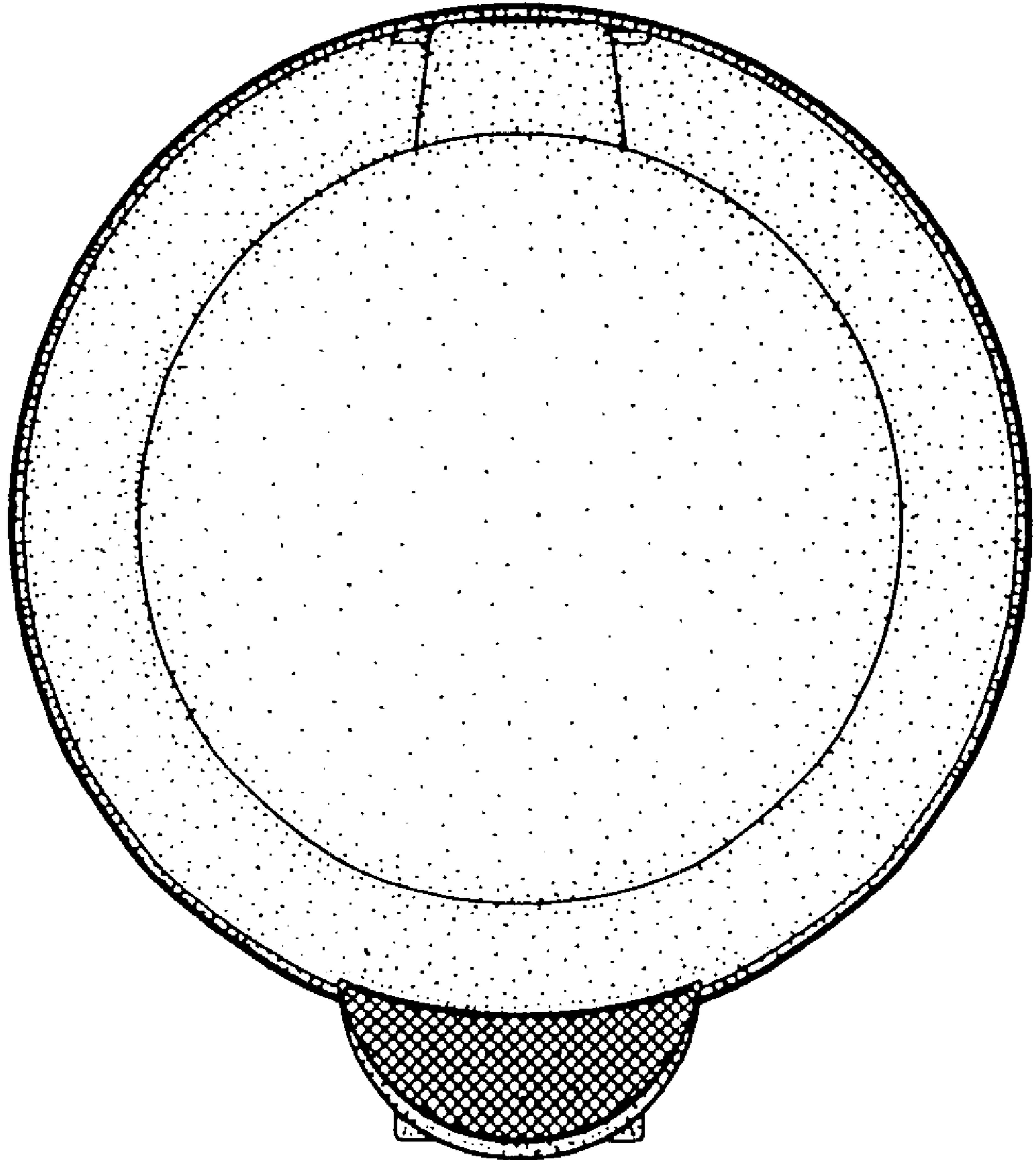


FIG. 6

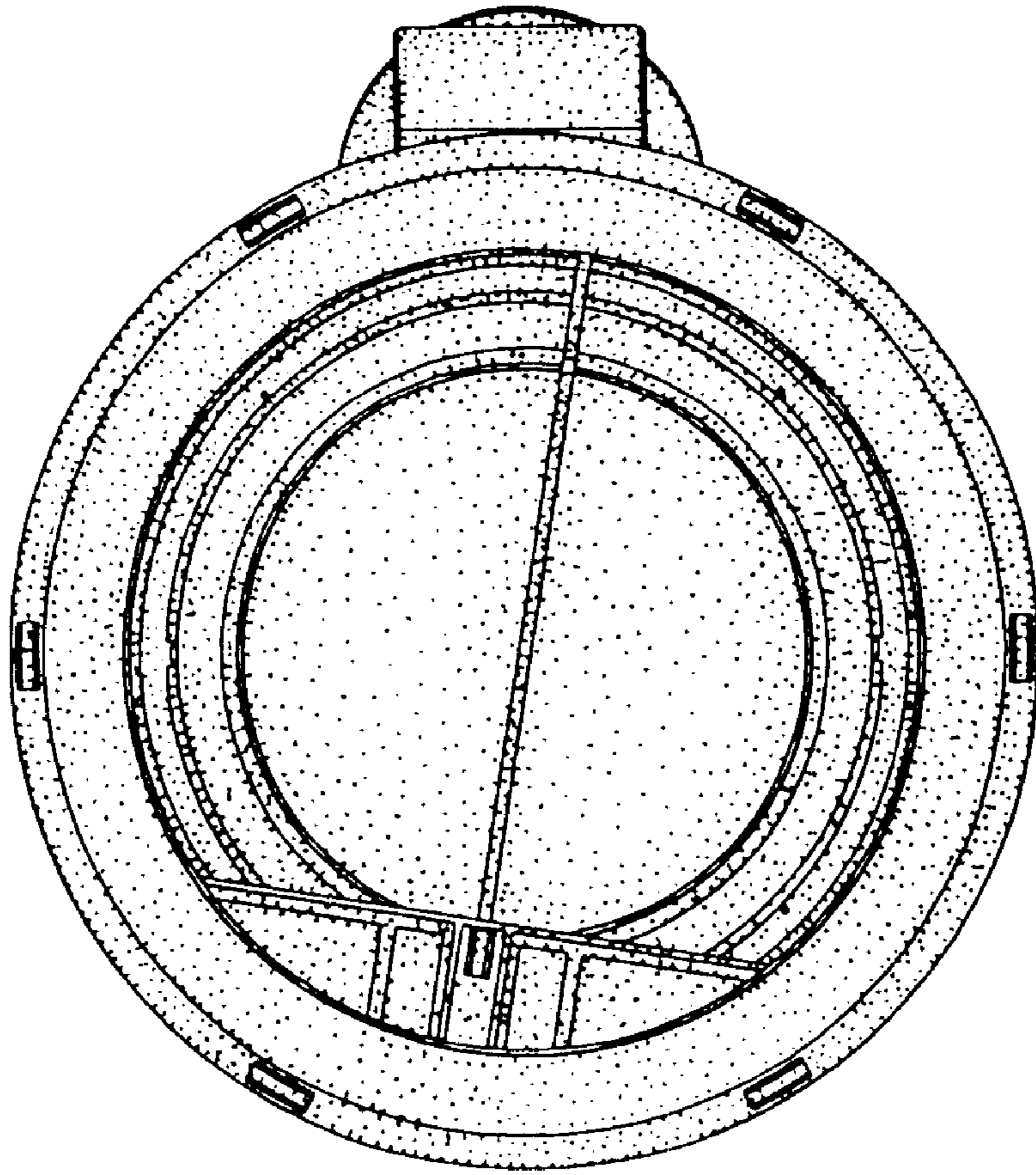


FIG. 7