



US00D453868S

(12) **United States Design Patent**
Murphy et al.

(10) **Patent No.:** **US D453,868 S**

(45) **Date of Patent:** **** Feb. 19, 2002**

(54) **BASE OF HAND-HELD VACUUM CLEANER**

(75) Inventors: **John S. Murphy**, Brookpark; **Michael F. Wright**, Stow; **Robert A. Matousek**, Lakewood; **David Di Nunzio**, Mentor; **Richard C. Farone**, Willoughby; **Jeffrey M. Kalman**, Cleveland Heights; **Craig M. Saunders**, Rocky River, all of OH (US)

(73) Assignee: **Royal Appliance Mfg. Co.**, Glenwillow, OH (US)

(**) Term: **14 Years**

(21) Appl. No.: **29/135,500**

(22) Filed: **Jan. 12, 2001**

(51) **LOC (7) Cl.** **15-05**

(52) **U.S. Cl.** **D32/31; D32/18**

(58) **Field of Search** D32/17-18, 21-24, D32/32-33, 25, 31; 15/398, 364, 400, 42, 322, 410, 412, 414, 415.1-422.1, 327.1-327.7, 377, 347, 344, 329

(56) **References Cited**

U.S. PATENT DOCUMENTS

D290,893 S	7/1987	Essex	
D303,170 S	* 8/1989	Hirano D32/18
D315,816 S	* 3/1991	Ferrari et al. D32/18
D325,271 S	* 4/1992	Osit D32/18
D352,141 S	* 11/1994	Correa et al. D32/18

D368,992 S	* 4/1996	Umbach et al. D32/18
D370,319 S	* 5/1996	Bass et al. D32/18
D371,649 S	* 7/1996	Neshat et al. D32/18
D376,228 S	* 12/1996	Bass et al. D32/18
5,584,436 A	12/1996	Sepke	
D379,691 S	* 6/1997	Moine et al. D32/18
5,652,996 A	* 8/1997	Moine et al. 15/344
5,787,546 A	* 8/1998	Bass et al. 15/344

* cited by examiner

Primary Examiner—Ruth McInroy

(74) *Attorney, Agent, or Firm*—Fay, Sharpe, Fagan, Minnich & McKee, LLP

(57) **CLAIM**

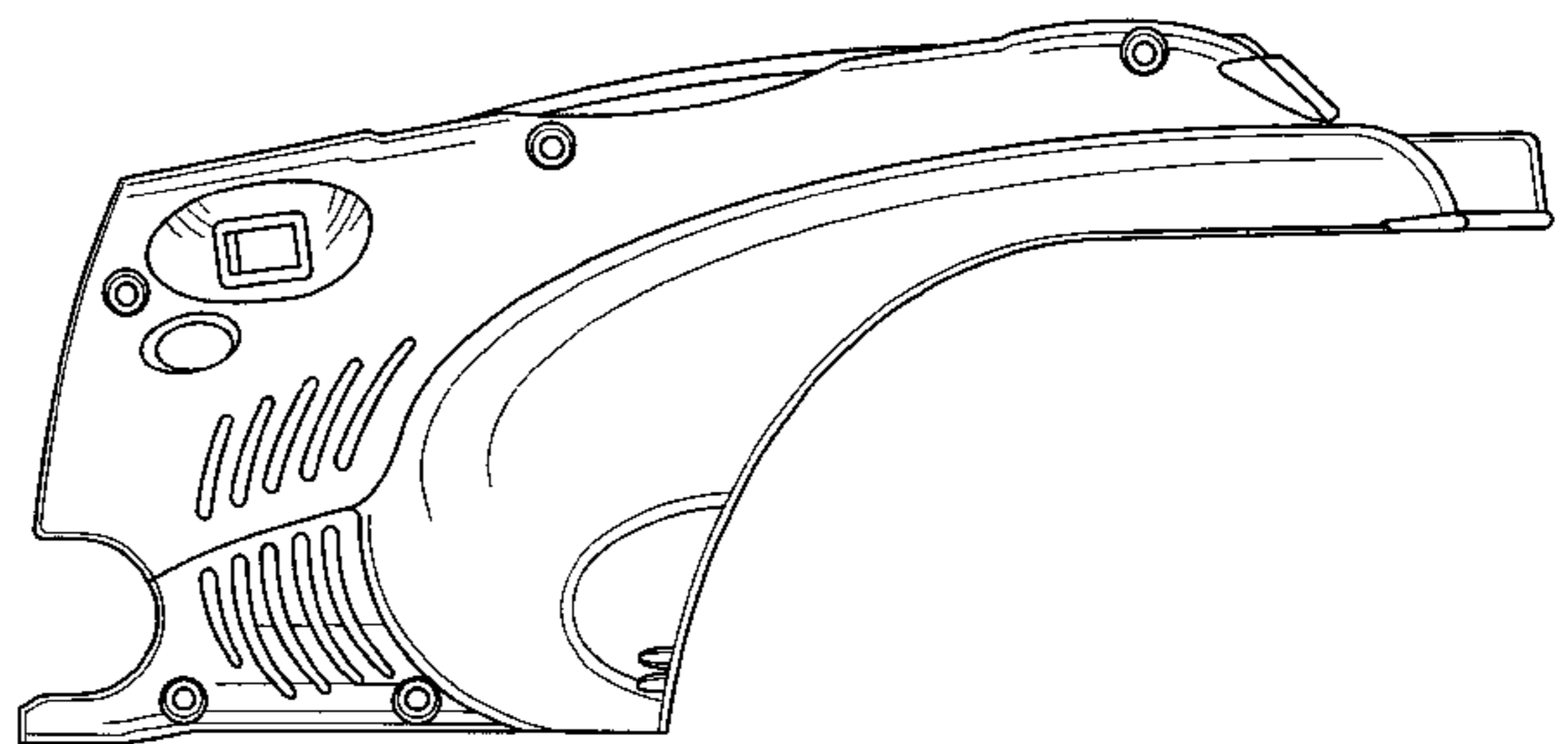
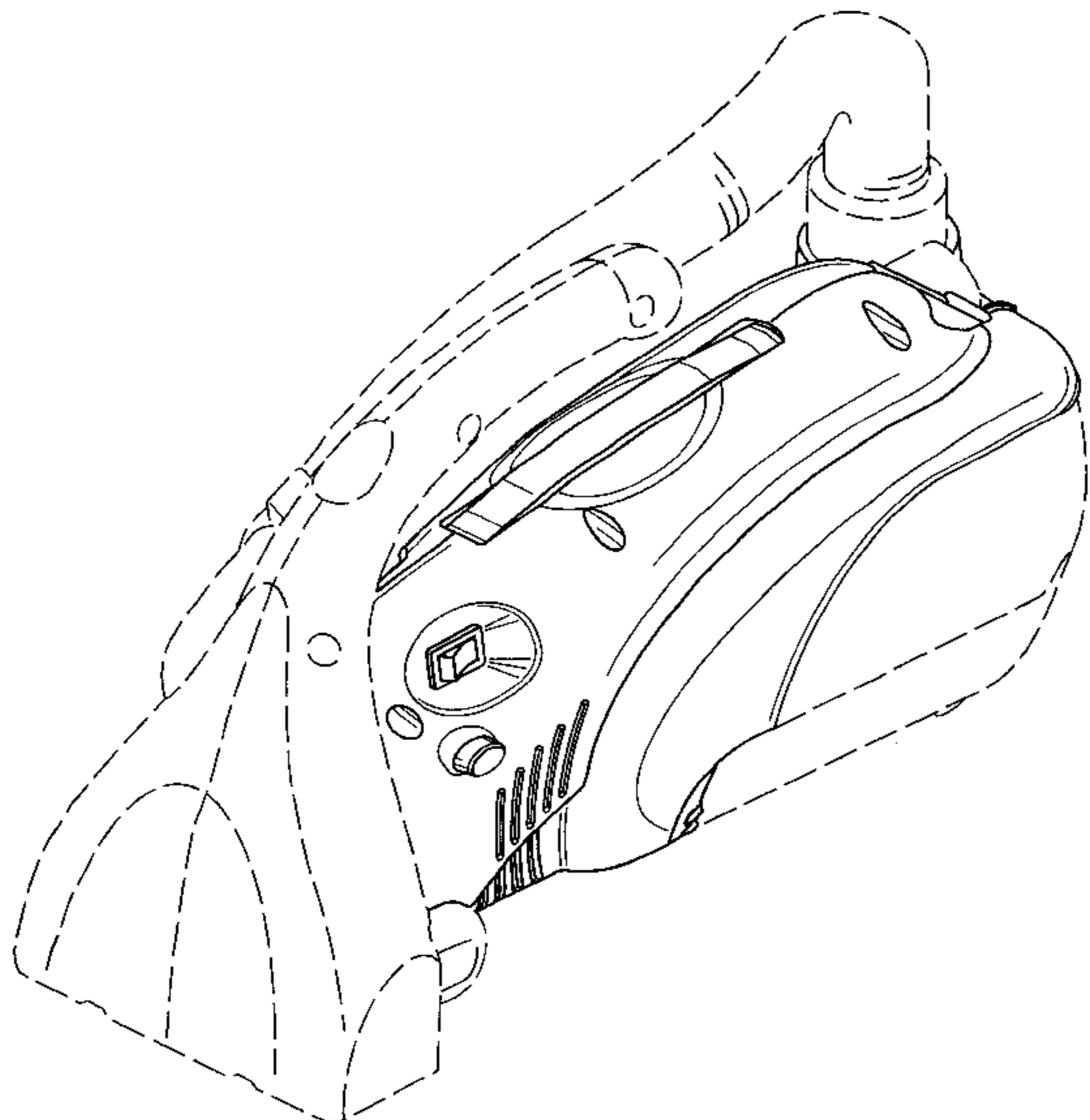
The ornamental design for a base of hand-held vacuum cleaner, as shown and described.

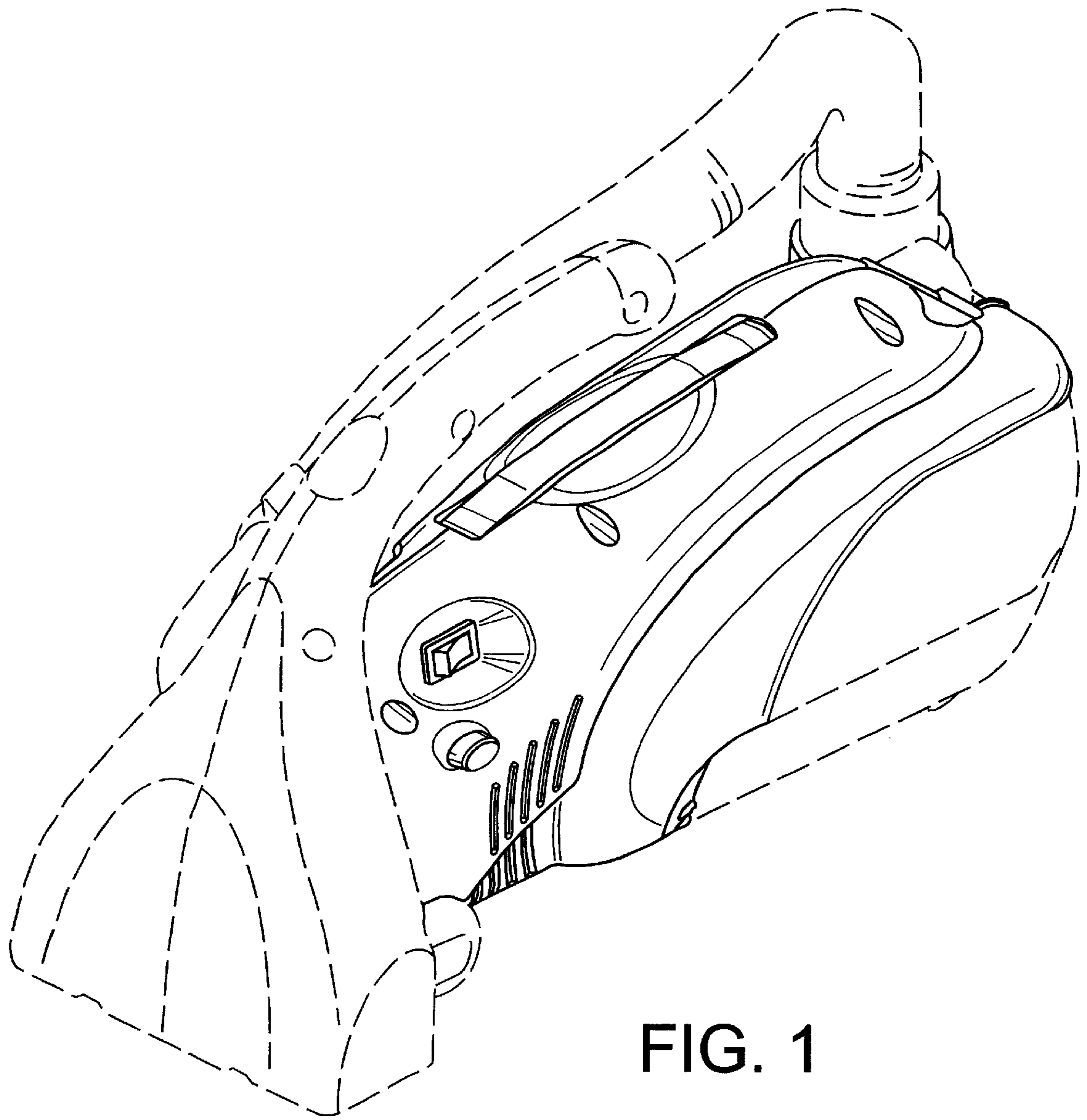
DESCRIPTION

FIG. 1 is a perspective view of a base of hand-held vacuum cleaner showing our new design; FIG. 2 is a perspective view thereof; FIG. 3 is a left side elevational view thereof; FIG. 4 is a front elevational view thereof; FIG. 5 is a right side elevational view thereof; FIG. 6 is a rear elevational view thereof; FIG. 7 is a top plan view thereof; and, FIG. 8 is a bottom plan view thereof.

The parts shown in broken lines in FIG. 1 are shown for illustrative purposes only and form no part of the claimed design.

1 Claim, 5 Drawing Sheets





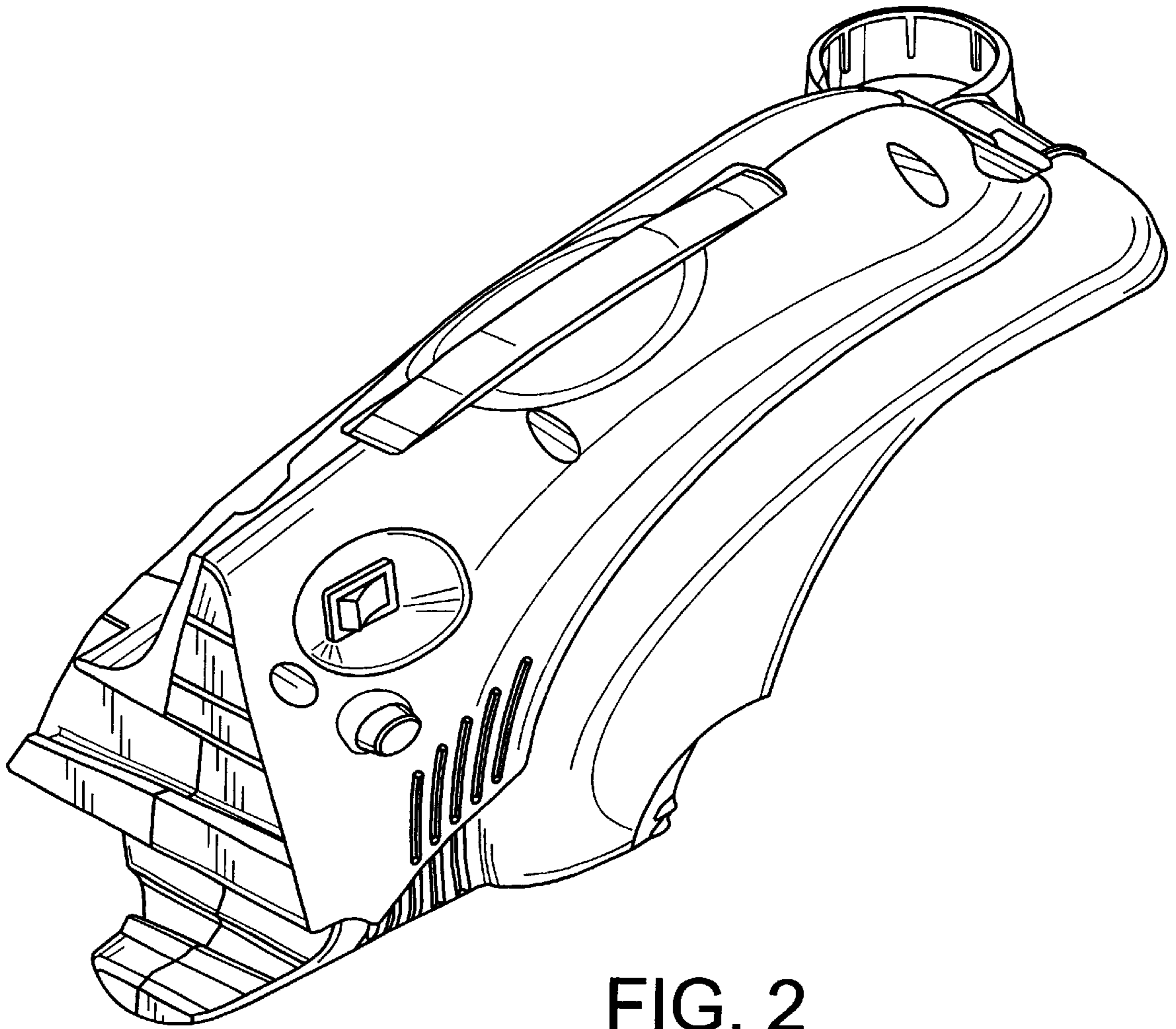


FIG. 2

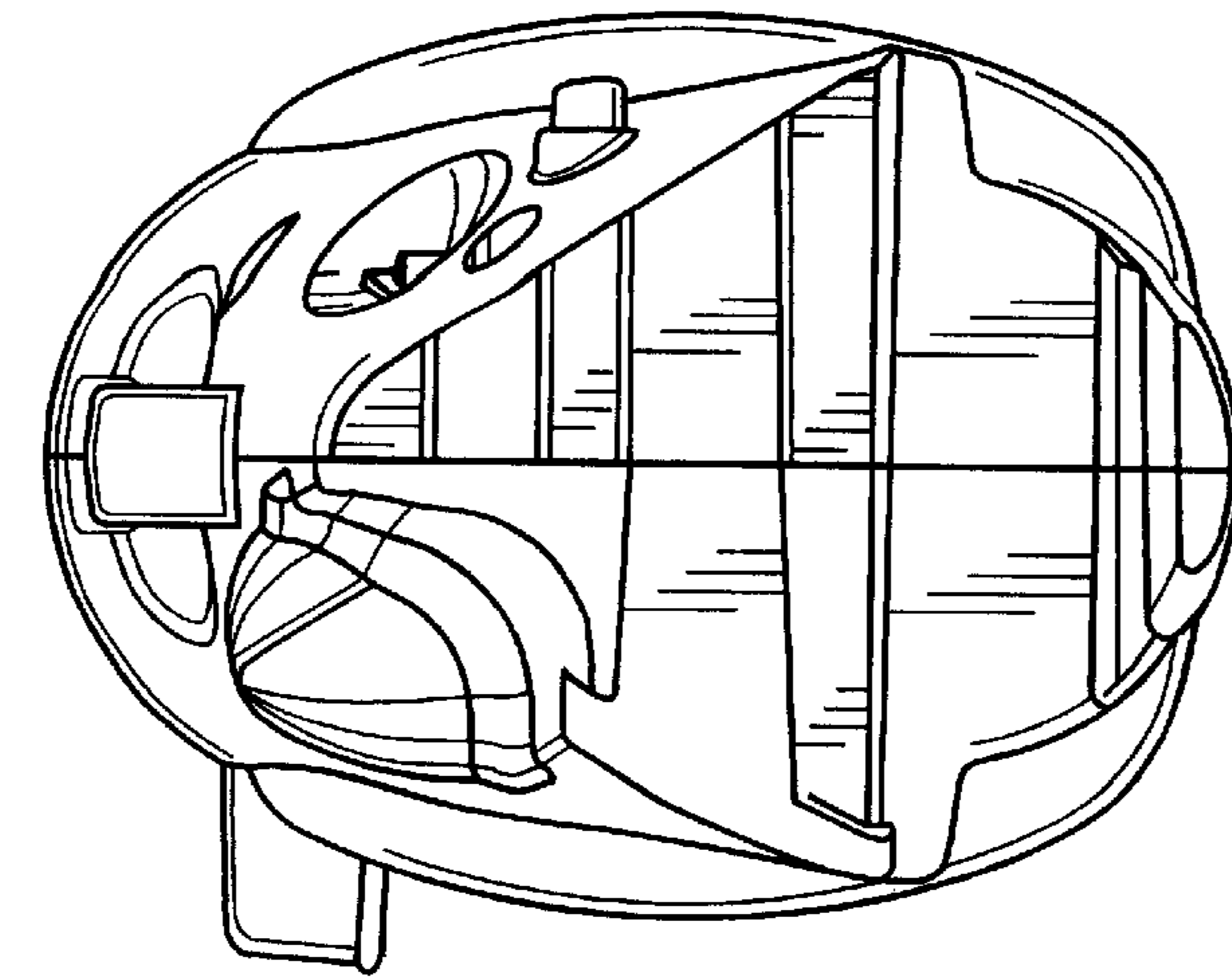


FIG. 3

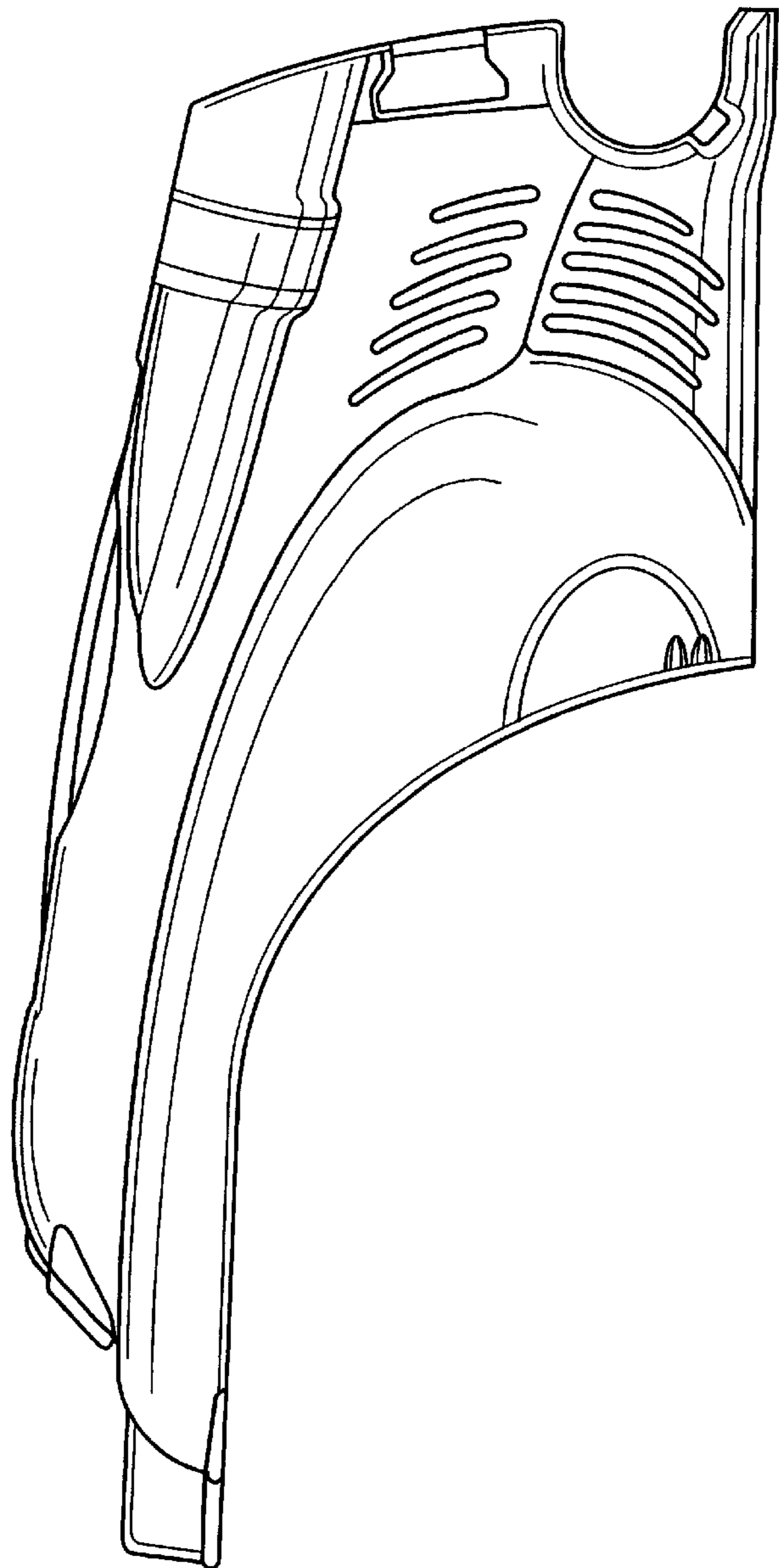


FIG. 4

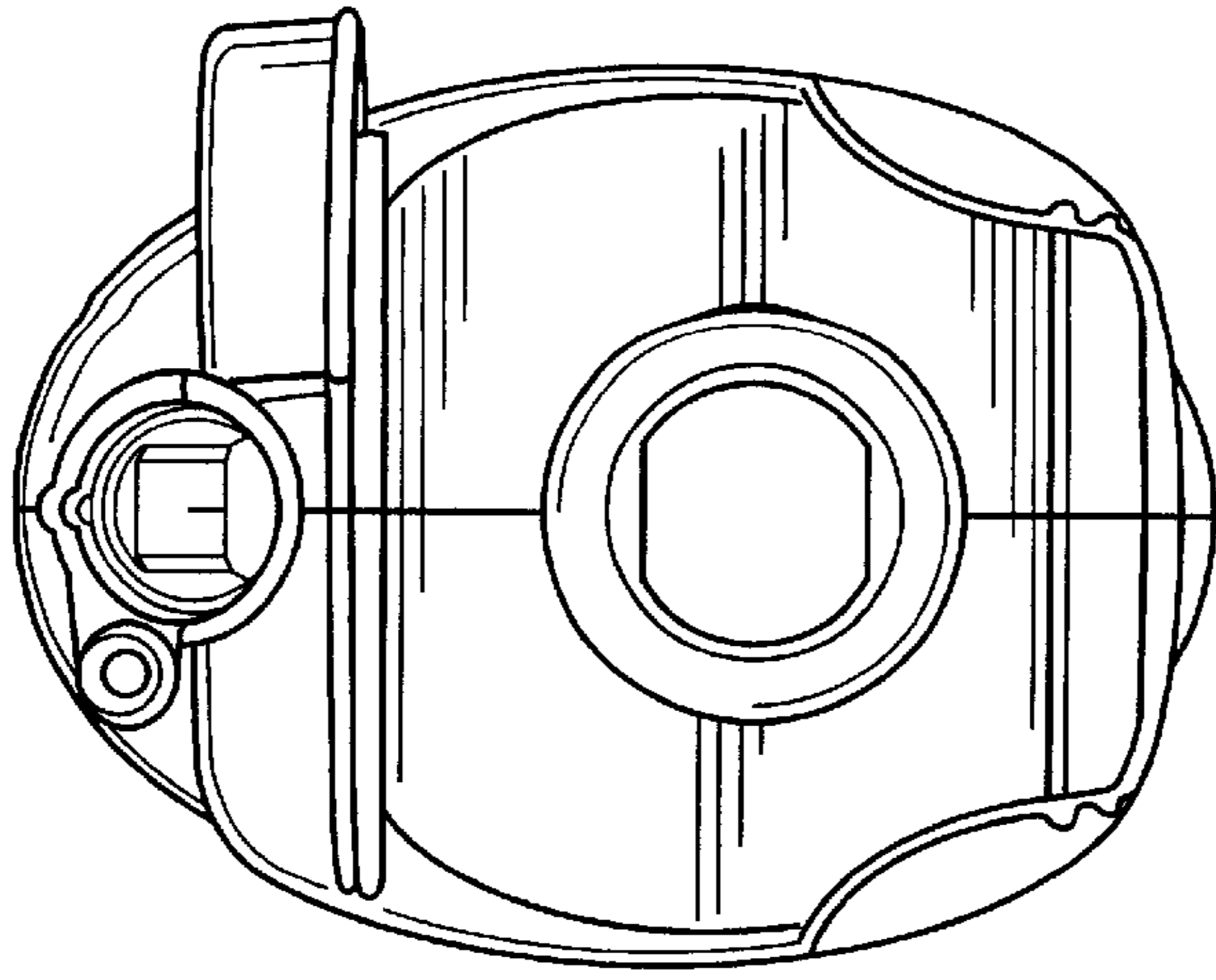


FIG. 6

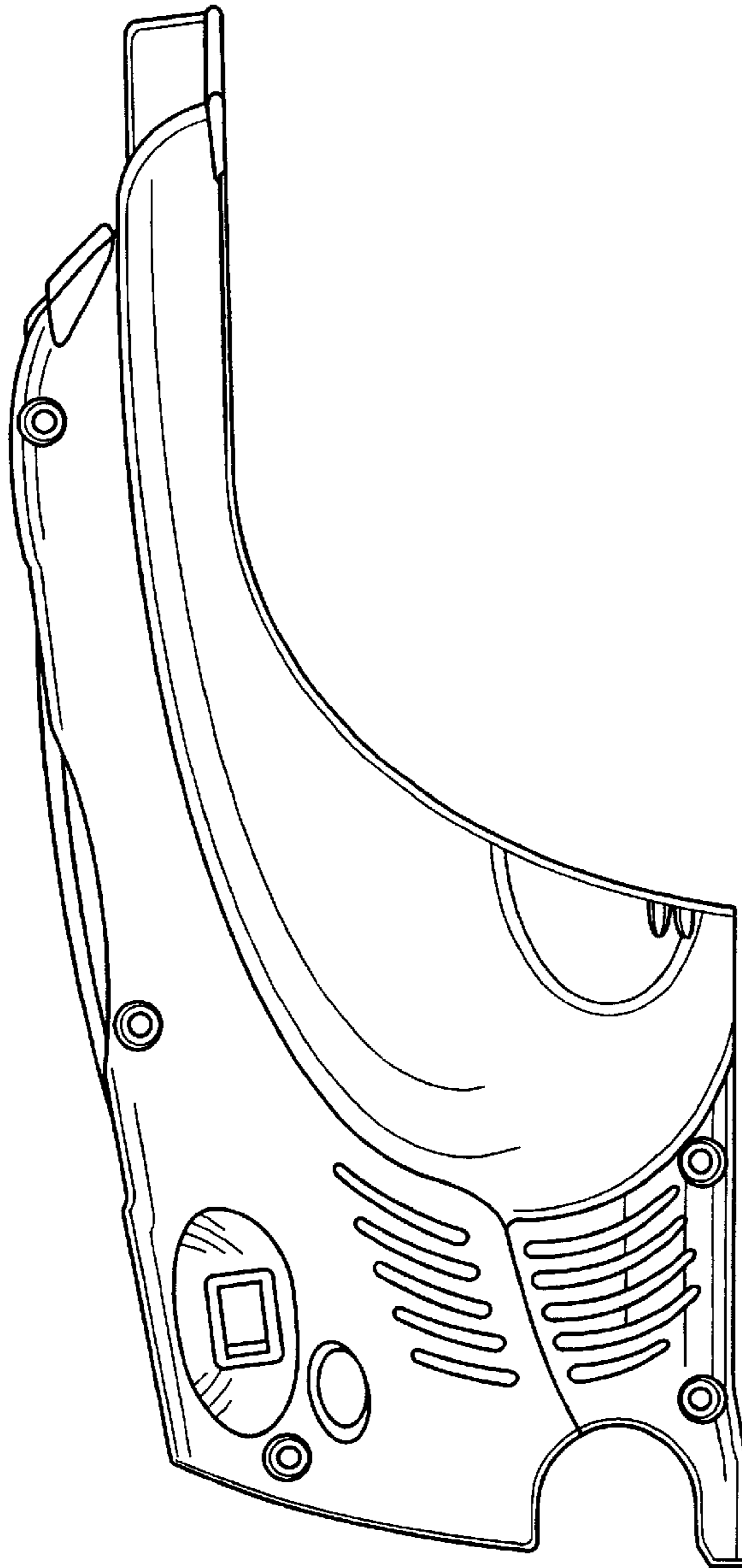


FIG. 5

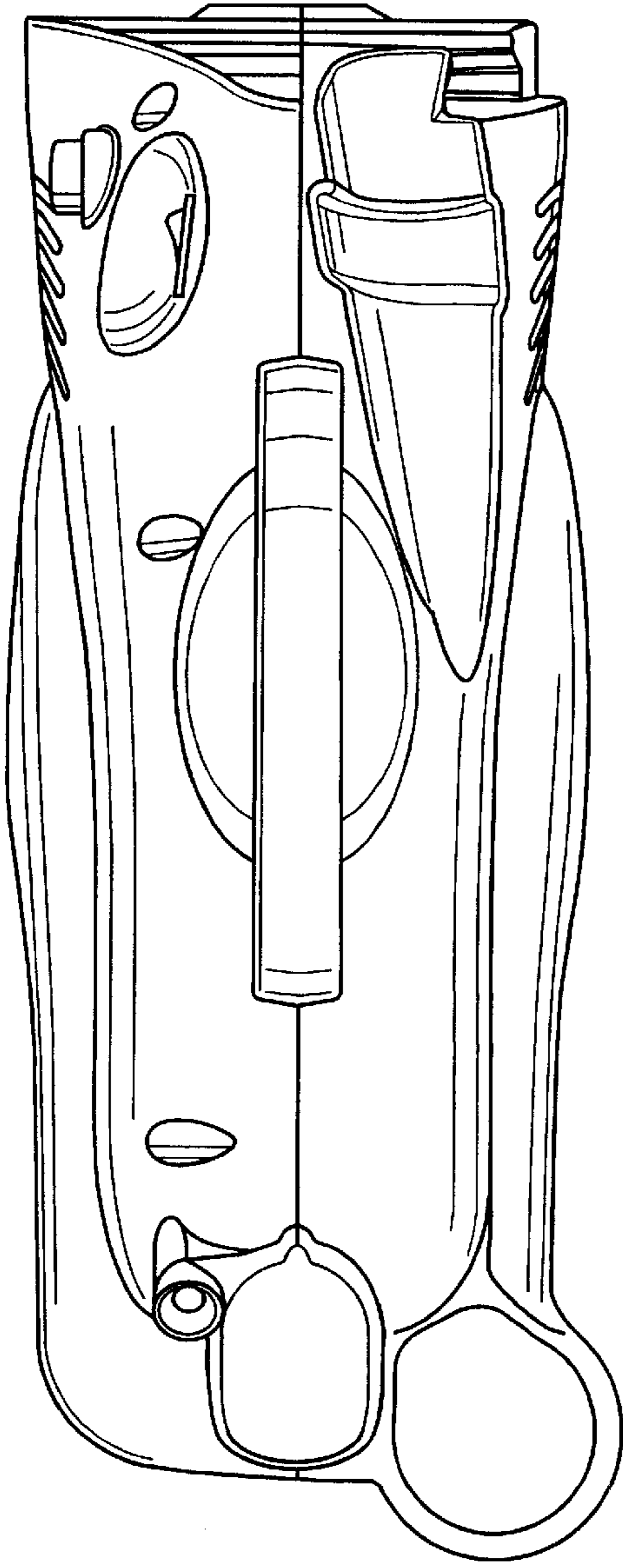


FIG. 7

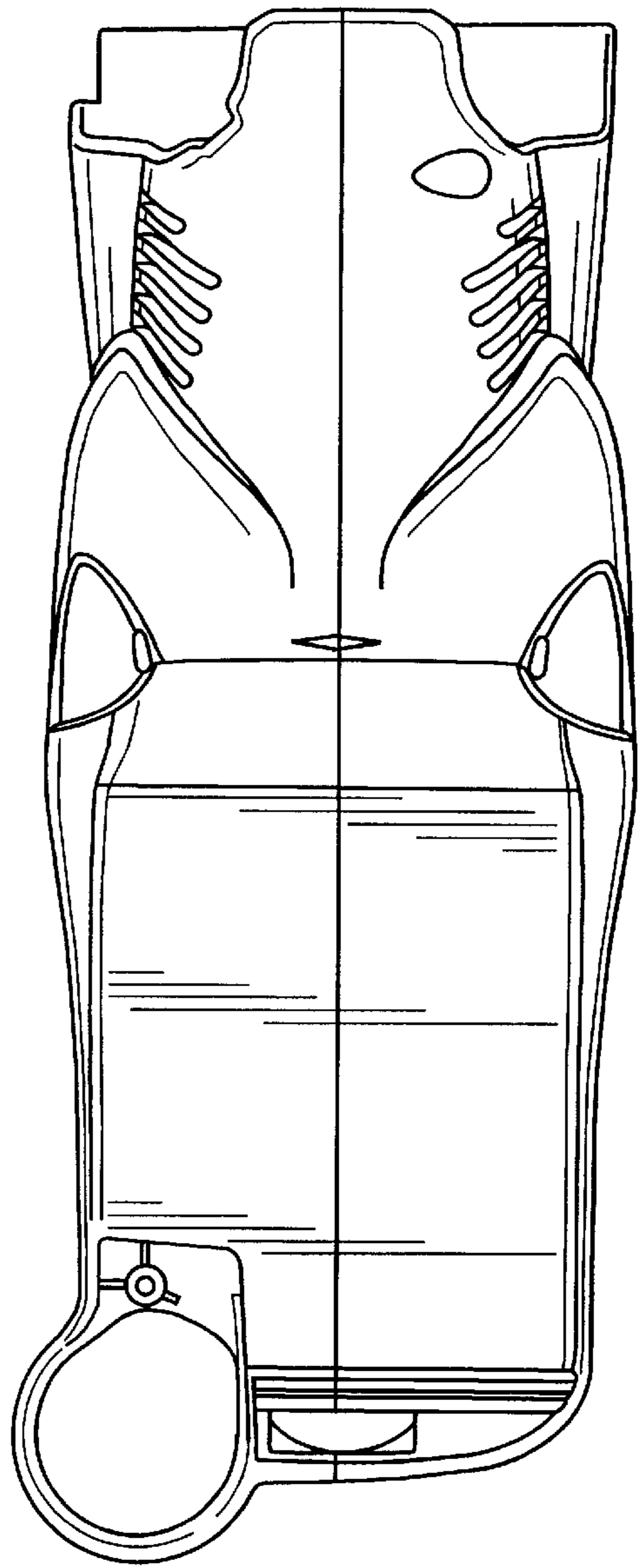


FIG. 8