



US00D453867S

(12) **United States Design Patent**  
**Zahuranec et al.**

(10) **Patent No.:** **US D453,867 S**

(45) **Date of Patent:** **\*\* Feb. 19, 2002**

(54) **CARPET EXTRACTOR TOOL HANDLE**

(75) Inventors: **Terry L. Zahuranec**, North Olmsted;  
**Brett Latimer**, Mentor; **Paul D. Stephens**, Twinsburg; **Robert A. Salo**, Mentor; **Mark E. Cipolla**, Chardon, all of OH (US)

(73) Assignee: **Royal Appliance Mfg. Co.**, Glenwillow, OH (US)

(\*\*) Term: **14 Years**

(21) Appl. No.: **29/133,315**

(22) Filed: **Nov. 28, 2000**

(51) **LOC (7) Cl.** ..... **15-05**

(52) **U.S. Cl.** ..... **D32/31**

(58) **Field of Search** ..... D32/17, 18, 21, D32/23, 25, 31; D23/223, 225, 226, 228-229; D15/13; 15/320-321, 353, 344, 329, 410; 68/222; 38/77.6, 77.8, 14; 392/379, 392; 223/51

(56) **References Cited**

**U.S. PATENT DOCUMENTS**

D242,211 S	*	11/1976	Parise	
D259,117 S		5/1981	Ueda	
D293,498 S	*	12/1987	Traylor, Jr.	D32/31
D296,372 S	*	6/1988	Toney et al.	D32/32
4,821,364 A	*	4/1989	McAllister et al.	15/322
D306,788 S	*	3/1990	McAllister et al.	D32/32
D310,281 S		8/1990	Goodrich	
D313,096 S	*	12/1990	Hayden	D32/34
D326,744 S	*	6/1992	LeClair	D30/158

D334,447 S		3/1993	Rohn	
D347,504 S	*	5/1994	Furcron et al.	D32/33
D368,342 S	*	3/1996	Founds	D32/18
D369,448 S		4/1996	de Blois et al.	
D374,524 S	*	10/1996	Harris	D32/32
5,768,748 A	*	6/1998	Silvera et al.	15/402
5,794,303 A	*	8/1998	Sanfilippo et al.	15/344
D420,477 S		2/2000	Saunders et al.	
D431,335 S		9/2000	Mehaffey et al.	

\* cited by examiner

*Primary Examiner*—Ruth McInroy

(74) *Attorney, Agent, or Firm*—Fay, Sharpe, Fagan, Minnich & McKee, LLP

(57) **CLAIM**

The ornamental design for a carpet extractor tool handle, as shown and described.

**DESCRIPTION**

FIG. 1 is a perspective view of a carpet extractor tool handle showing our new design with the handle being connected to a stretch of hose on one end and a tool on the other end; FIG. 2 is a perspective view thereof without the environment illustrated in FIG. 1;

FIG. 3 is a top plan view thereof;

FIG. 4 is a right side elevational view thereof;

FIG. 5 is a left side elevational view thereof;

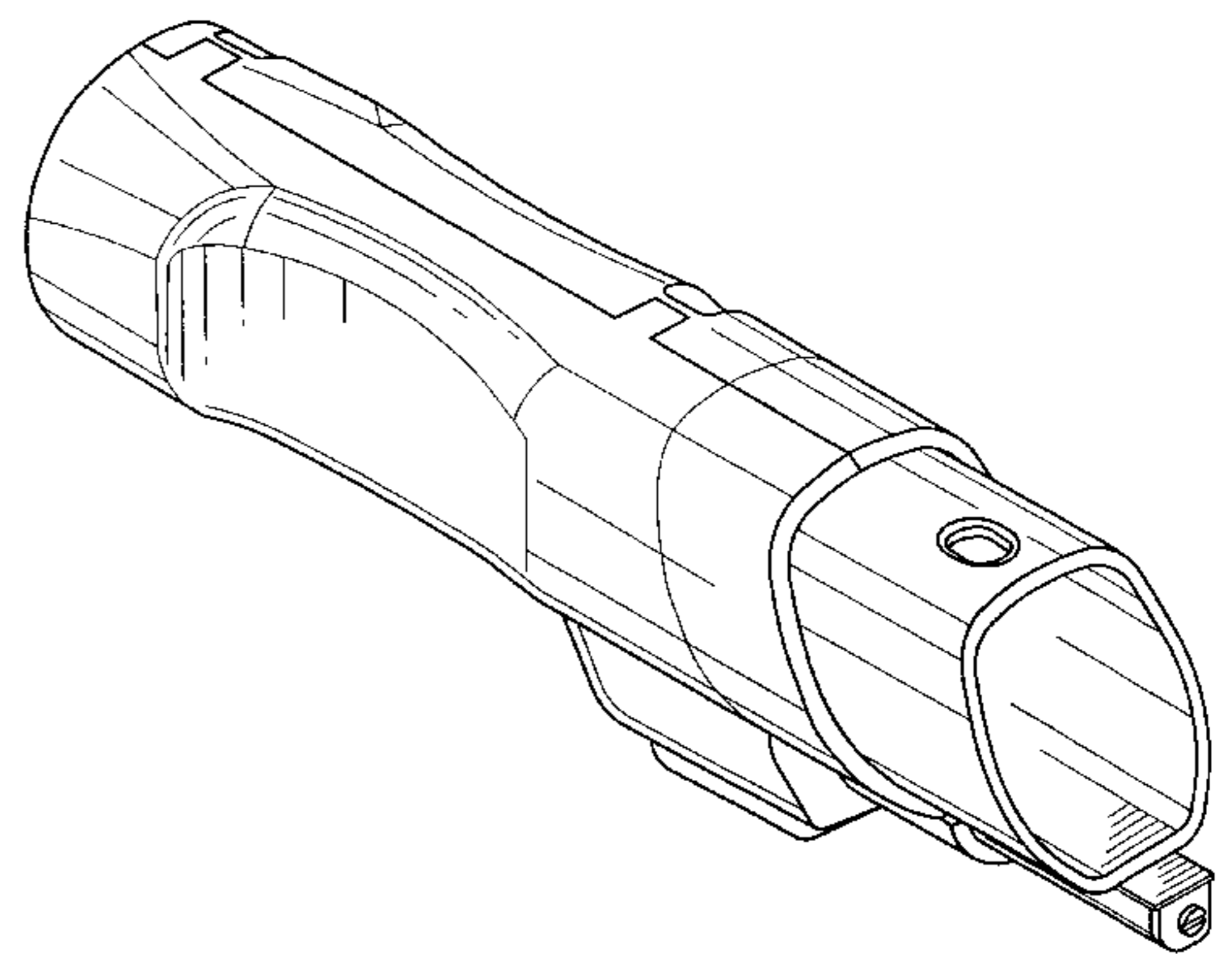
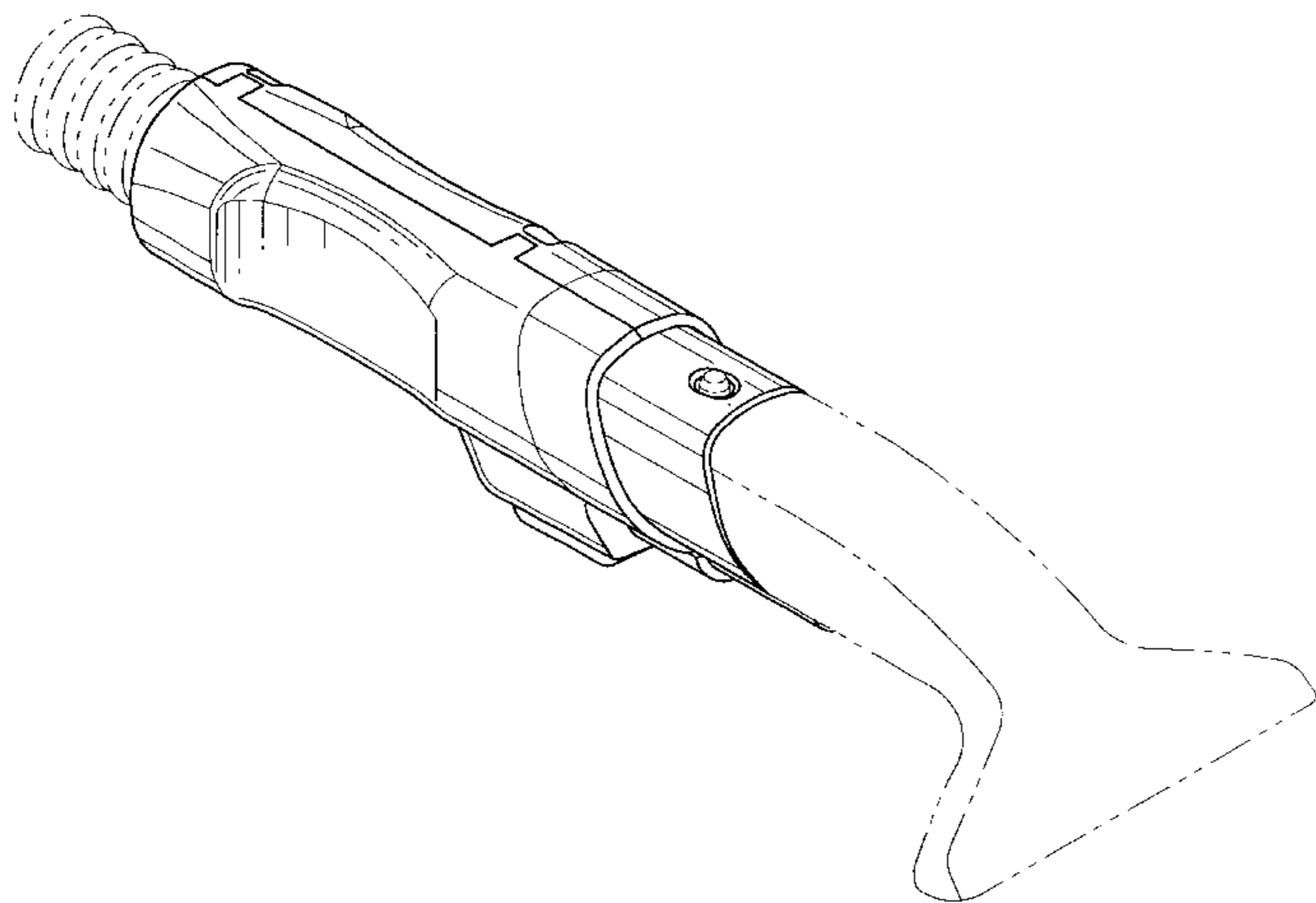
FIG. 6 is a bottom plan view thereof;

FIG. 7 is a front elevational view thereof; and,

FIG. 8 is a rear elevational view thereof.

The hose and tool illustrated in broken lines in FIG. 1 shows the environment in which the carpet extractor tool handle is used and forms no part of the claimed design.

**1 Claim, 5 Drawing Sheets**



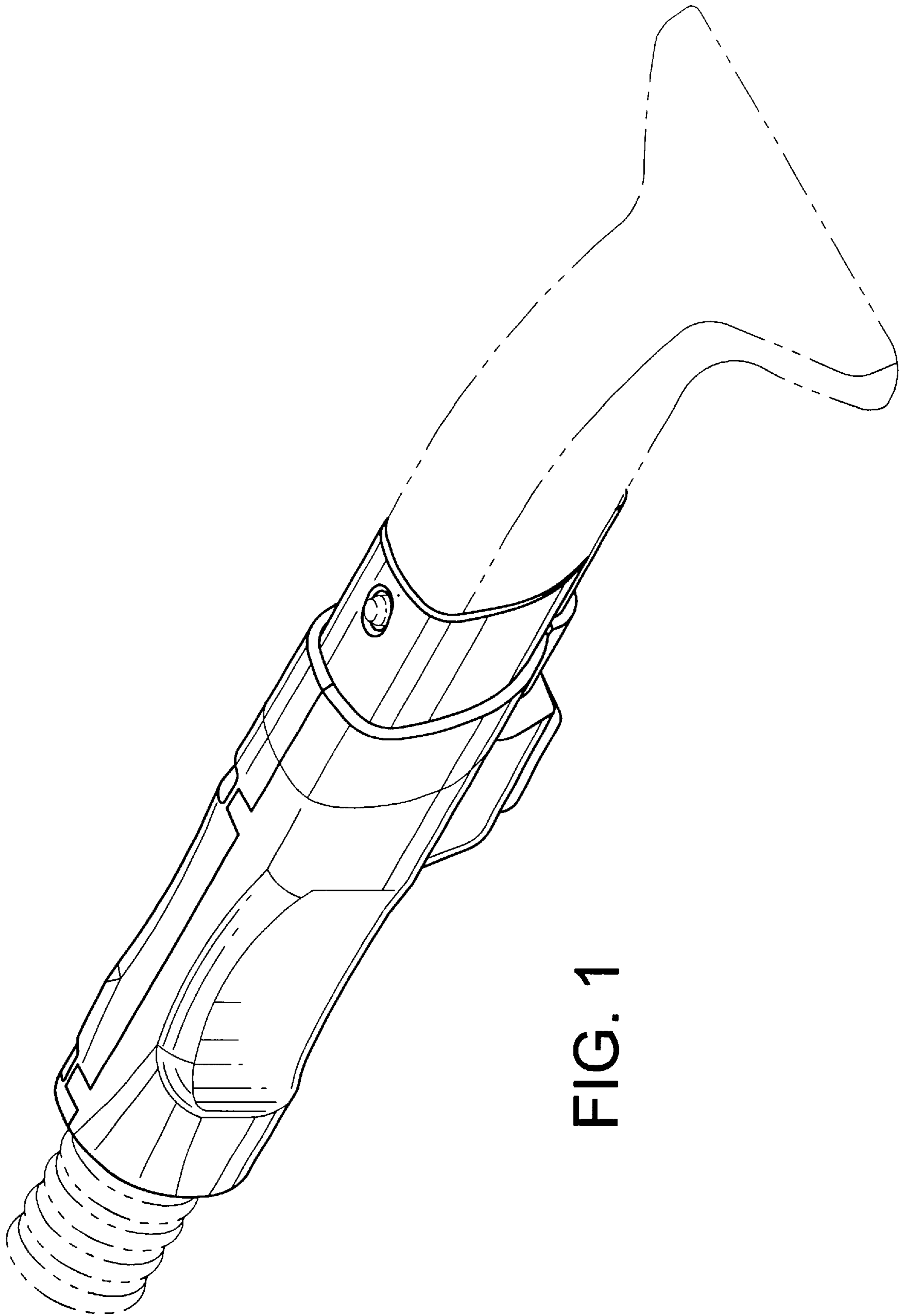


FIG. 1

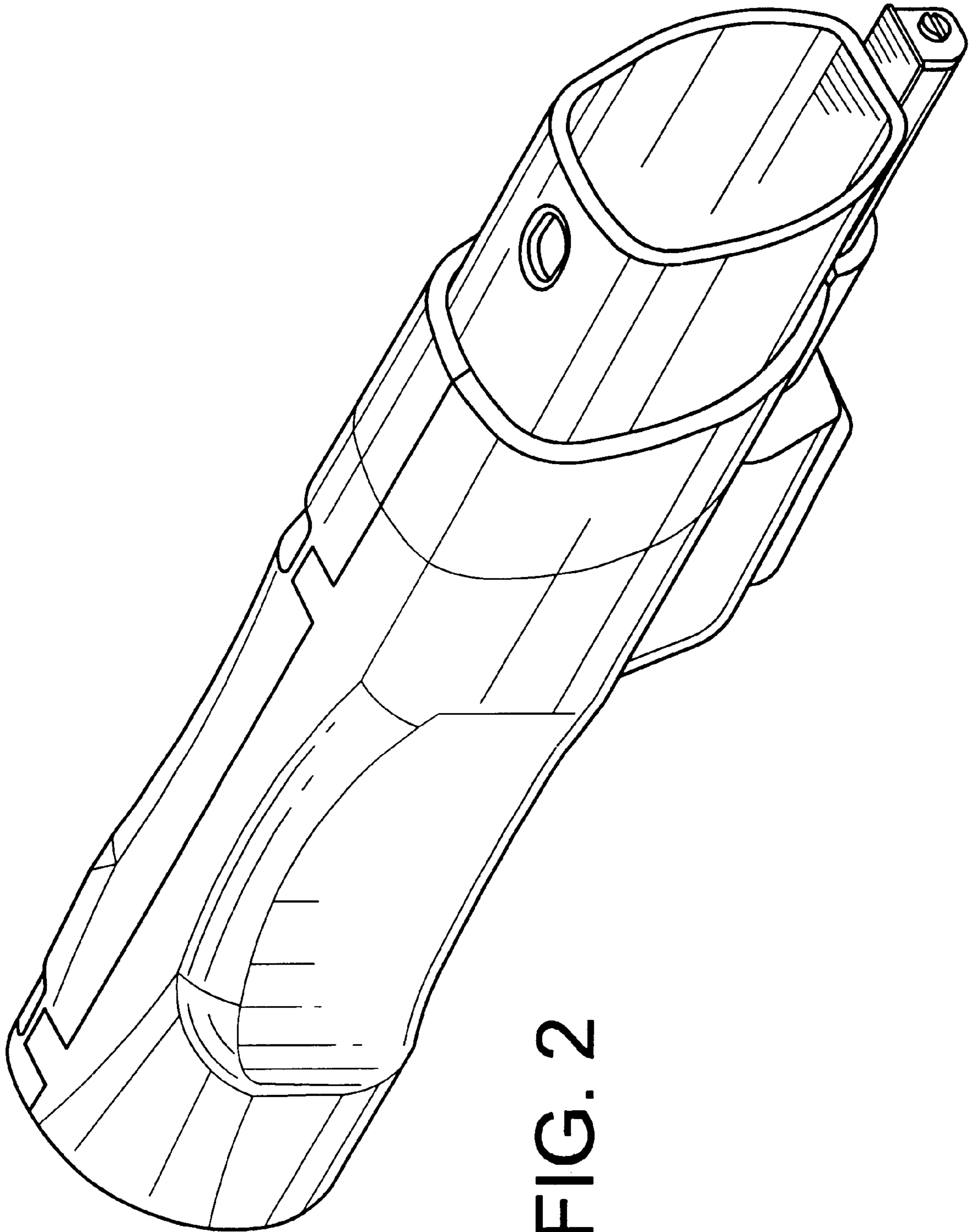


FIG. 2

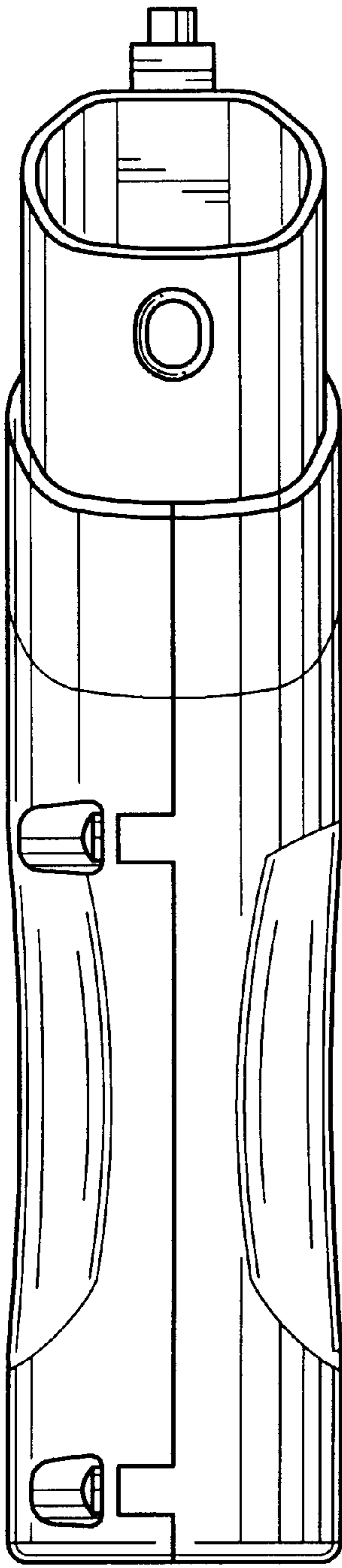


FIG. 3

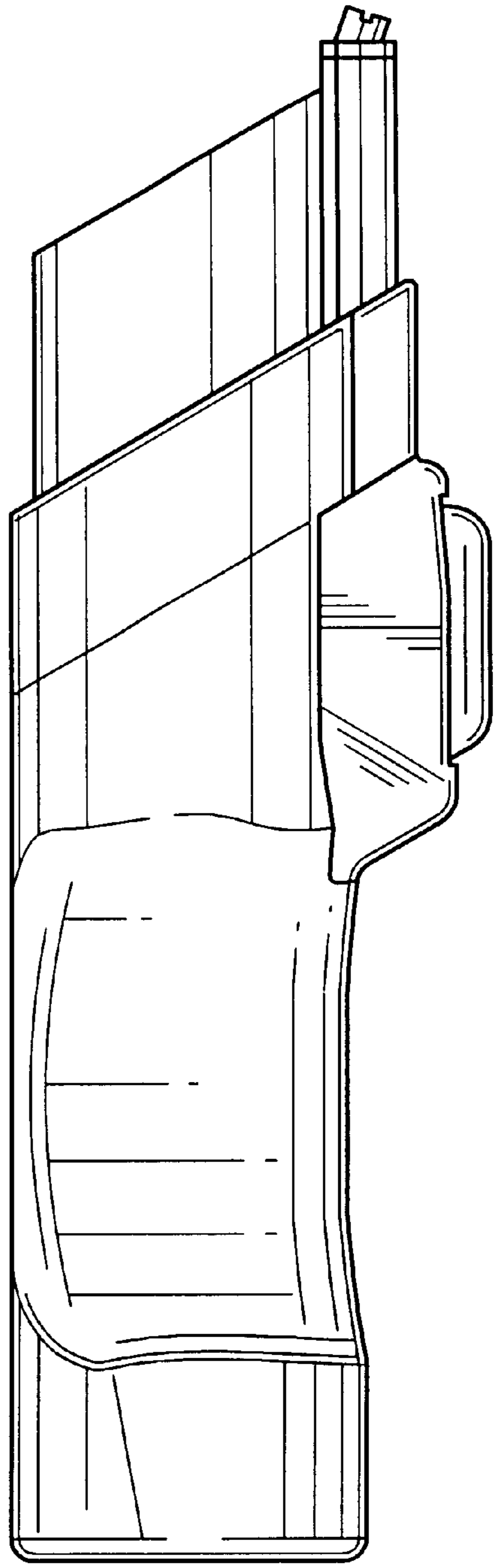


FIG. 4

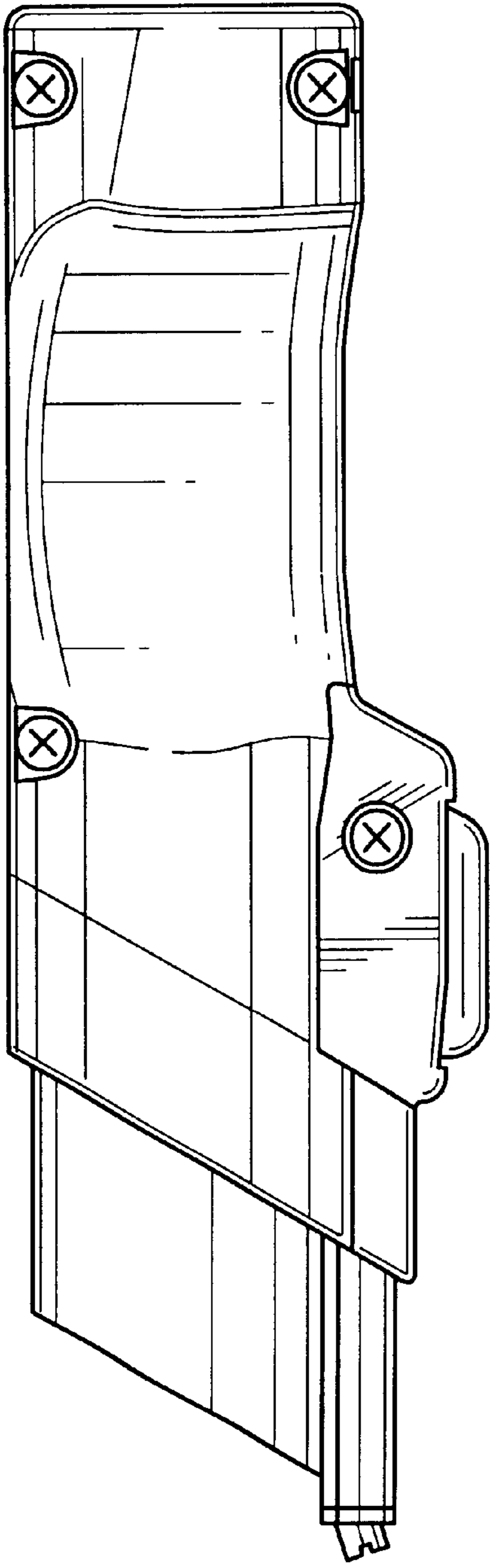


FIG. 5

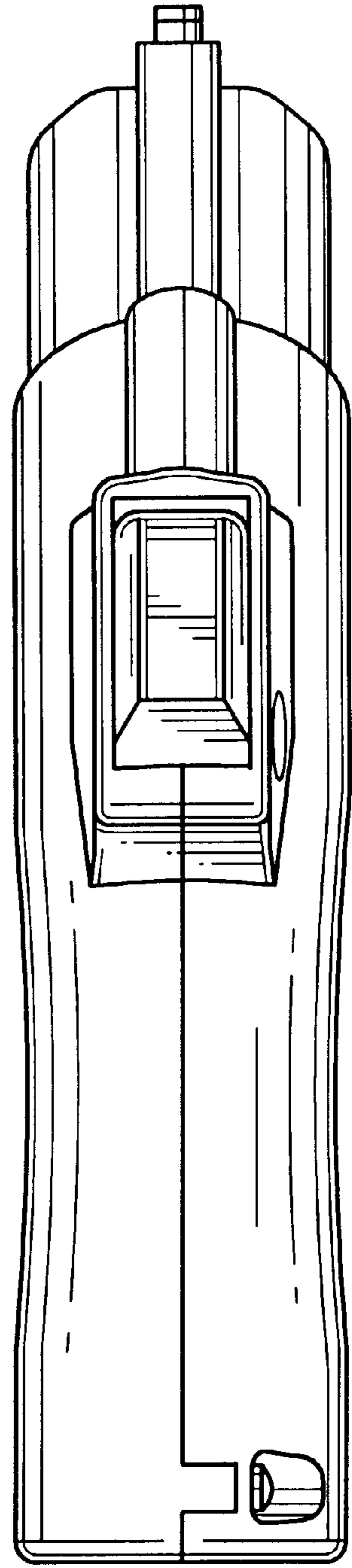


FIG. 6



FIG. 7

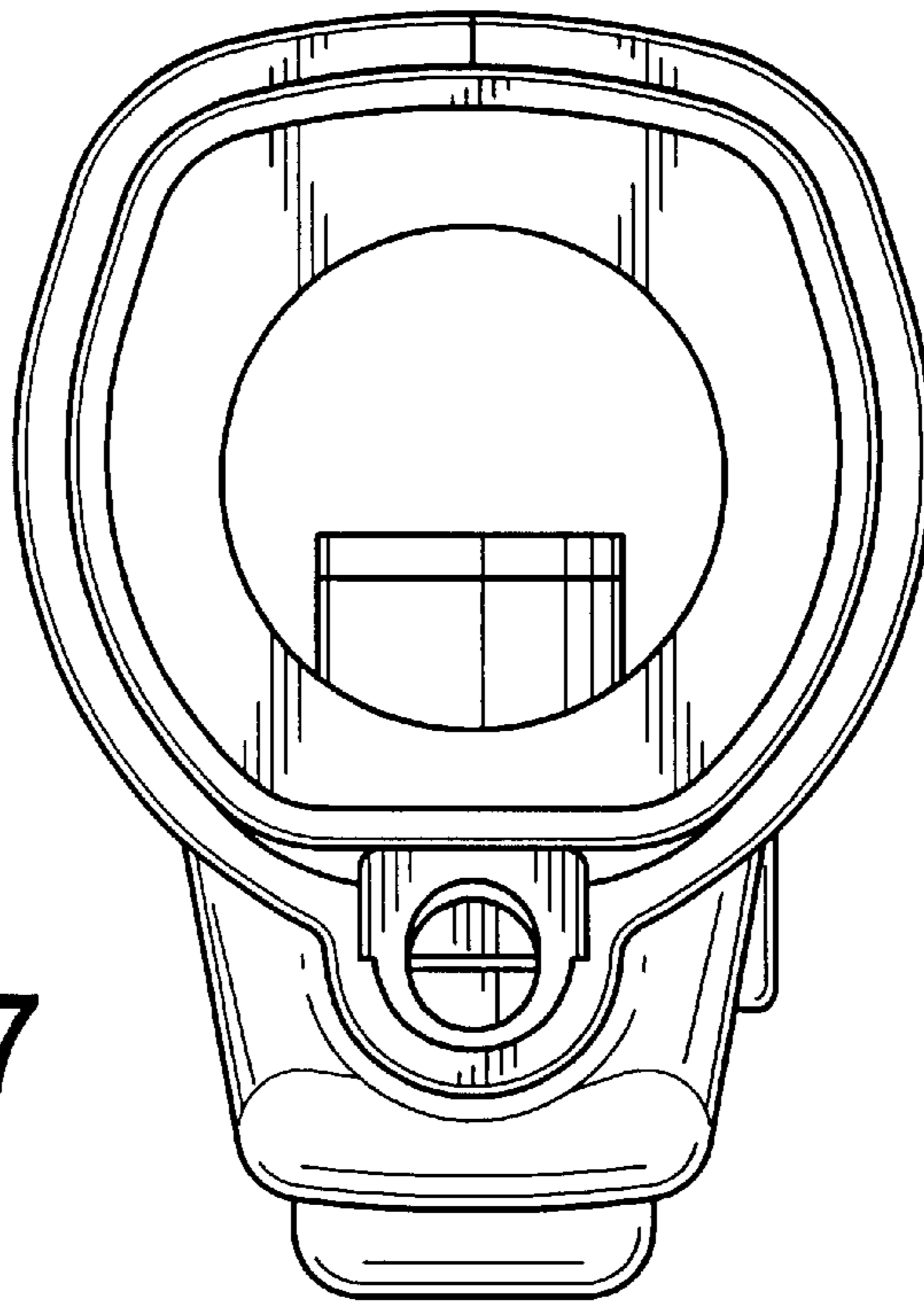


FIG. 8

