



US00D453866S

(12) **United States Design Patent**
Nighy et al.

(10) **Patent No.:** **US D453,866 S**

(45) **Date of Patent:** **** Feb. 19, 2002**

(54) **WAND FOR VACUUM CLEANER**

(75) Inventors: **Richard John Nighy**, Bath; **James Harper Wilcox**, Gloucestershire, both of (GB)

(73) Assignee: **Notetry Limited**, Wiltshire (GB)

(**) Term: **14 Years**

(21) Appl. No.: **29/124,190**

(22) Filed: **Jun. 1, 2000**

(30) **Foreign Application Priority Data**

Dec. 1, 1999 (GB) 2088474

(51) **LOC (7) Cl.** **15-05**

(52) **U.S. Cl.** **D32/31**

(58) **Field of Search** D32/21, 23-24, D32/31, 25; 15/320-322, 337, 400, 327.1-327.7, 315, 415.1-442.1, 386-387, 377, 410; 285/7, 302; 174/47

(56) **References Cited**

U.S. PATENT DOCUMENTS

D217,285 S * 4/1970 Anderson D21/31
D267,906 S * 2/1983 Parise et al. D32/31

5,836,620 A * 11/1998 Wang et al. 285/7
6,108,861 A * 8/2000 Vystreil et al. 15/323
6,148,474 A * 11/2000 Ohara et al. 15/377
6,237,962 B1 * 5/2001 Lim 285/7

* cited by examiner

Primary Examiner—Ruth McInroy

(74) *Attorney, Agent, or Firm*—Morrison & Foerster LLP

(57) **CLAIM**

The ornamental design for a wand for vacuum cleaner, as shown and described.

DESCRIPTION

FIG. 1 is a side view of a wand for vacuum cleaner showing our new design;

FIG. 2 is a side view of the opposite side of FIG. 1;

FIG. 3 is a top plan view thereof;

FIG. 4 is a bottom plan view thereof;

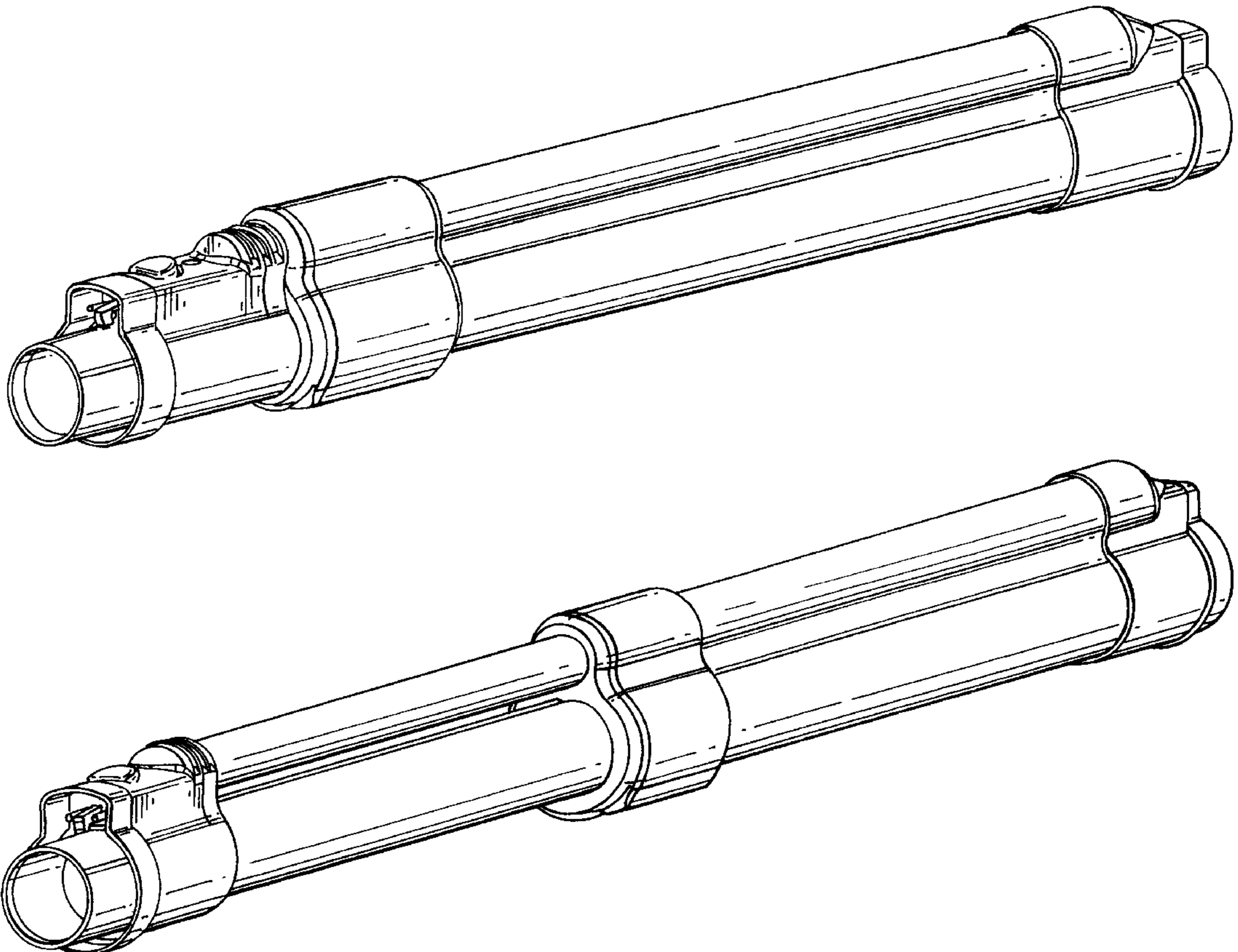
FIG. 5 is an end view thereof;

FIG. 6 is an end view of the opposite side of FIG. 5;

FIG. 7 is a perspective view from above, front and one side thereof; and,

FIG. 8 is a perspective view from above, front and one side showing the wand in an extended position.

1 Claim, 4 Drawing Sheets



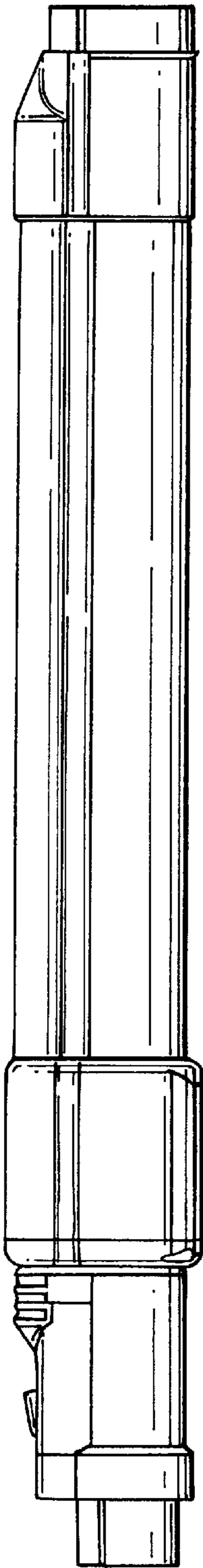


Fig. 1

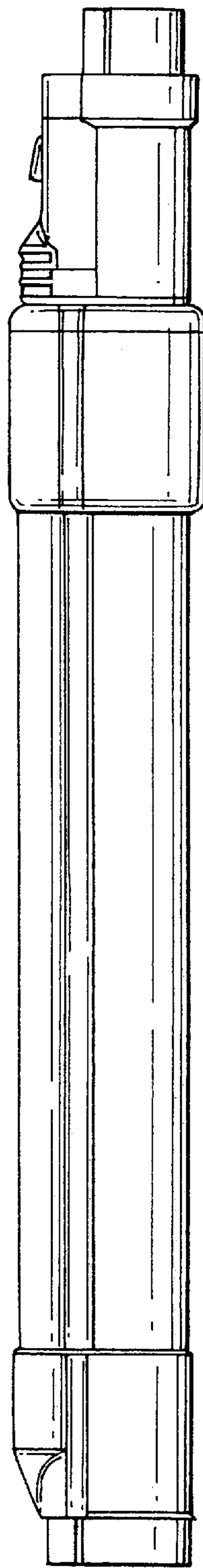


Fig. 2

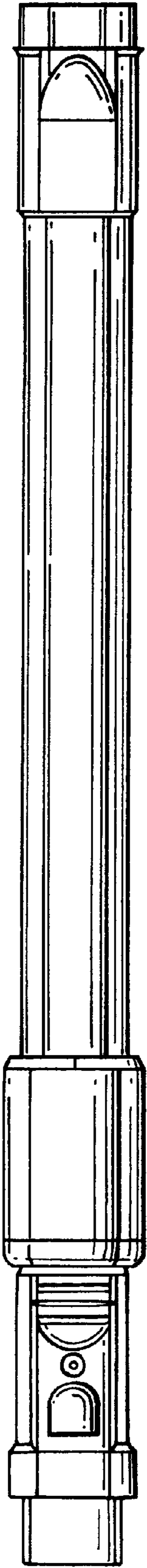


Fig. 3

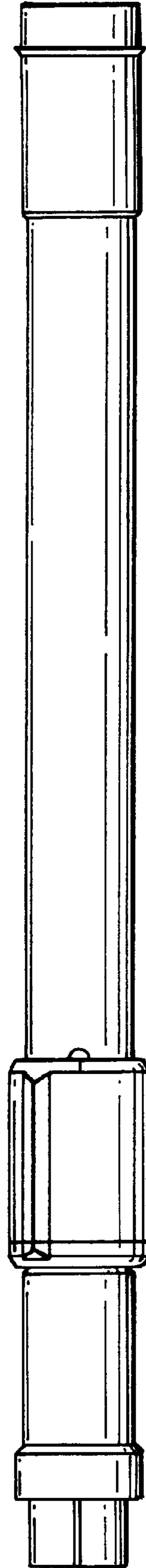


Fig. 4

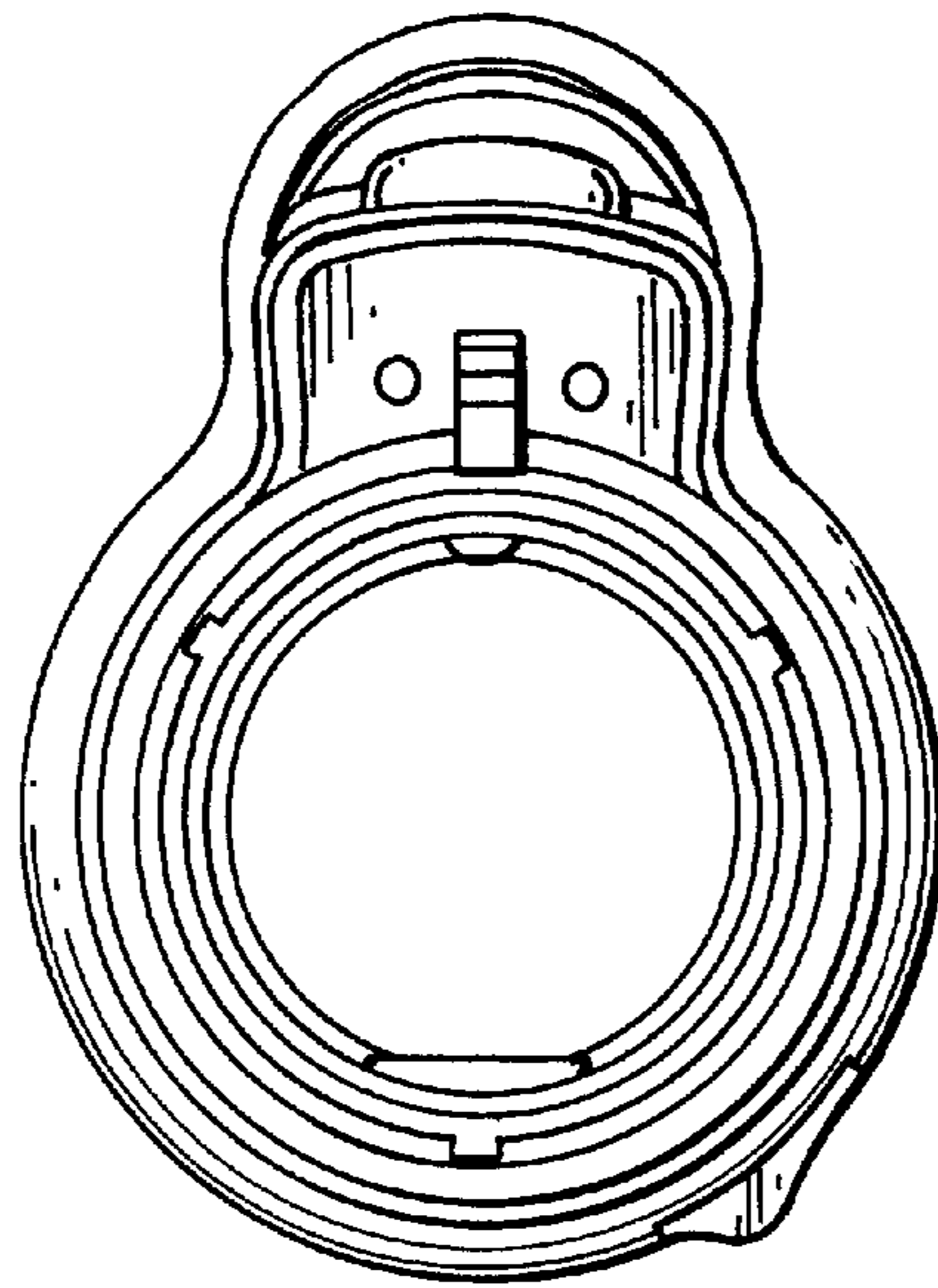


Fig. 5

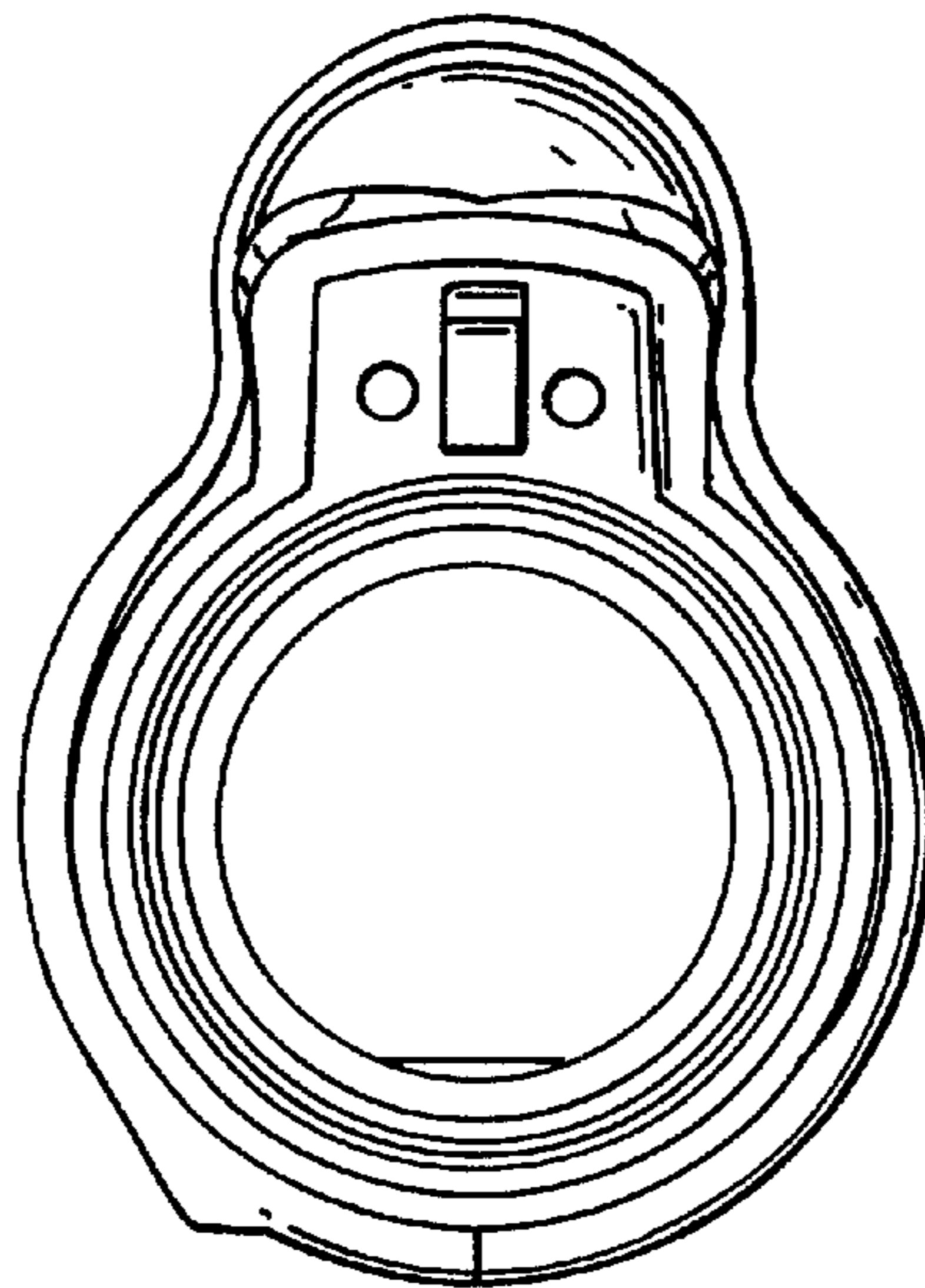


Fig. 6

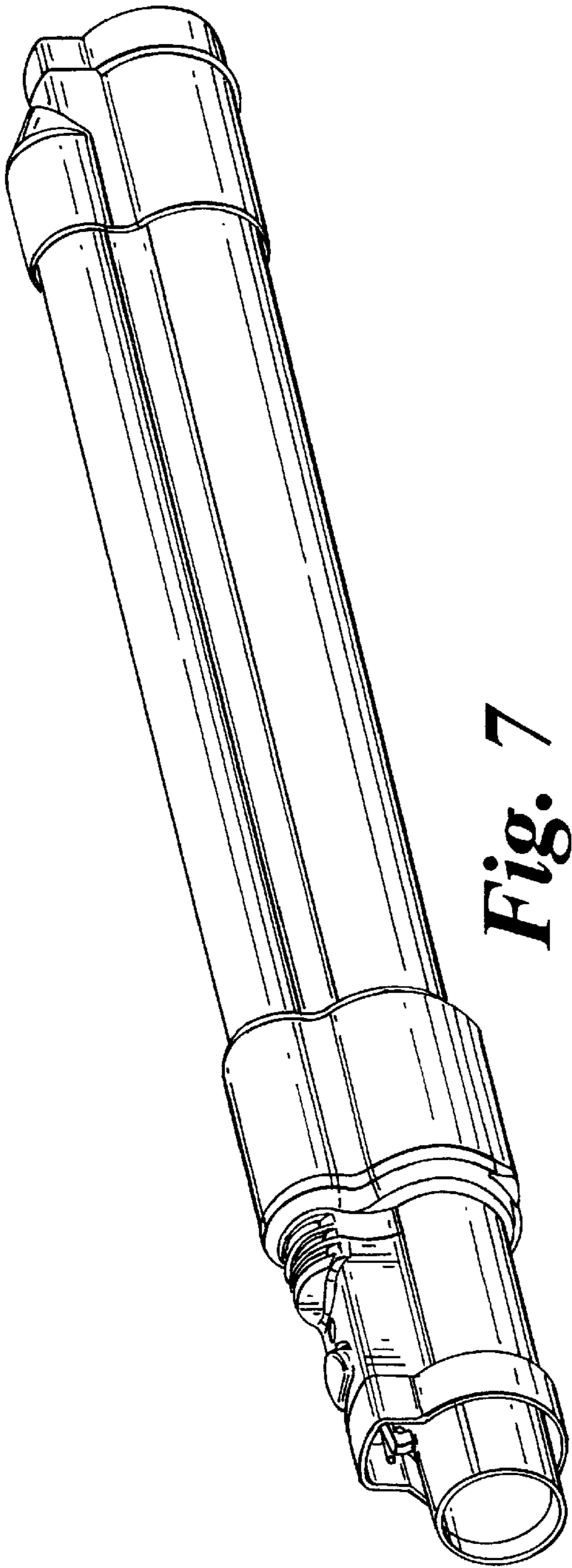


Fig. 7

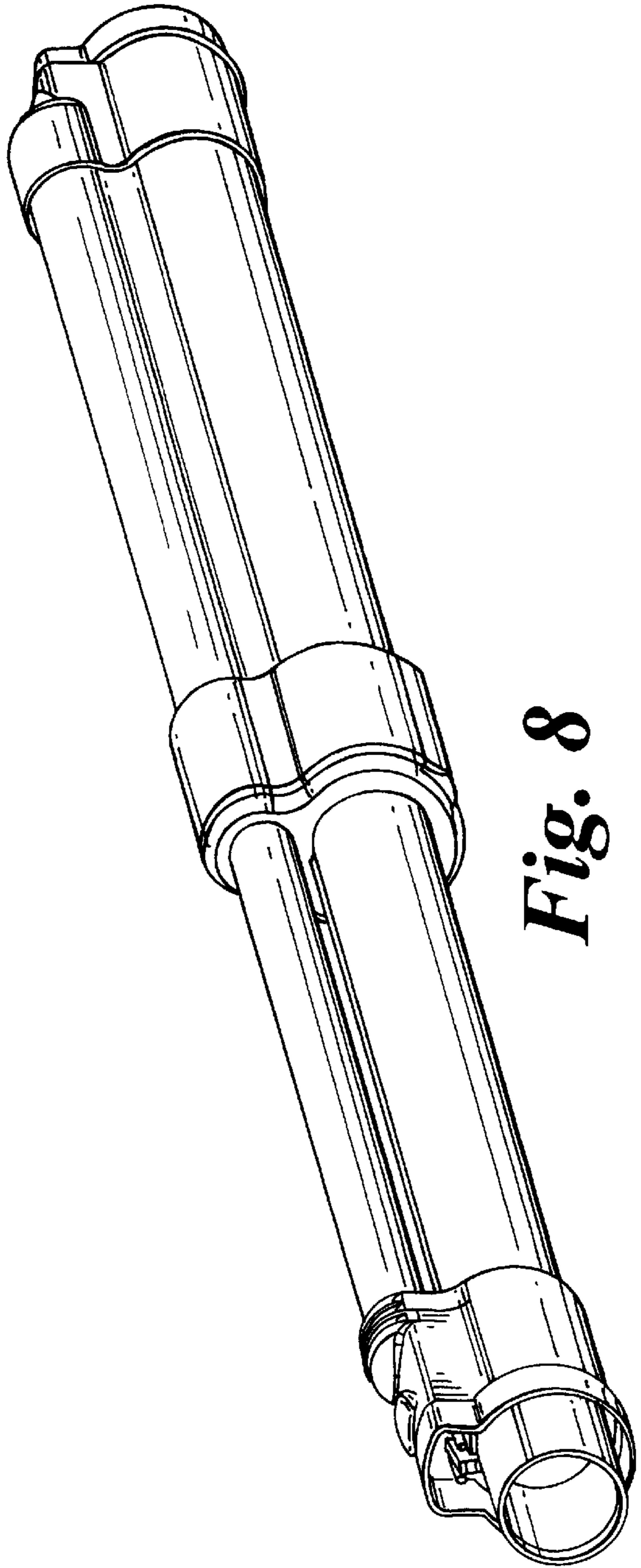


Fig. 8