



US00D453865S

(12) **United States Design Patent**  
**Ross**

(10) **Patent No.:** **US D453,865 S**

(45) **Date of Patent:** **\*\* Feb. 19, 2002**

(54) **CAT LITTER PAN**

(75) **Inventor:** **Allan G. Ross, Masury, OH (US)**

(73) **Assignee:** **Alco Industries, Inc., Valley Forge, PA (US)**

(\*\*) **Term:** **14 Years**

(21) **Appl. No.:** **29/139,996**

(22) **Filed:** **Apr. 10, 2001**

(51) **LOC (7) Cl.** ..... **30-99**

(52) **U.S. Cl.** ..... **D30/161; D30/118**

(58) **Field of Search** ..... **D30/108-119, D30/161; 119/28.5, 703, 706, 416, 452-453, 454, 455, 456, 459, 467, 482, 496-497, 436, 500, 501-502, 408, 410, 161, 165-166, 168-170; 114/131; 4/484**

(56) **References Cited**

**U.S. PATENT DOCUMENTS**

- 3,428,967 A \* 2/1969 Hughes ..... 4/484
- D216,400 S \* 12/1969 Schwertley ..... D30/118
- 3,771,493 A \* 11/1973 Chandor ..... 119/170
- D239,395 S \* 3/1976 David ..... D30/118
- 5,265,558 A \* 11/1993 Schonrock ..... 119/28.5
- 5,603,284 A \* 2/1997 Freedman ..... 119/28.5

- D382,945 S \* 8/1997 Hansen et al. .... D23/277
- D386,832 S \* 11/1997 McAlister ..... D30/118
- D388,560 S \* 12/1997 Savicki ..... D30/118
- D398,089 S \* 9/1998 Reed ..... D30/161
- D433,543 S \* 11/2000 Fiore et al. .... D30/118
- D436,697 S \* 1/2001 Fiore et al. .... D30/118
- 6,237,531 B1 \* 5/2001 Peeples et al. .... 119/28.5

\* cited by examiner

*Primary Examiner*—Cathy Anne MacCormac

(74) *Attorney, Agent, or Firm*—Webb Ziesenheim Logsdon Orkin & Hanson, P.C.

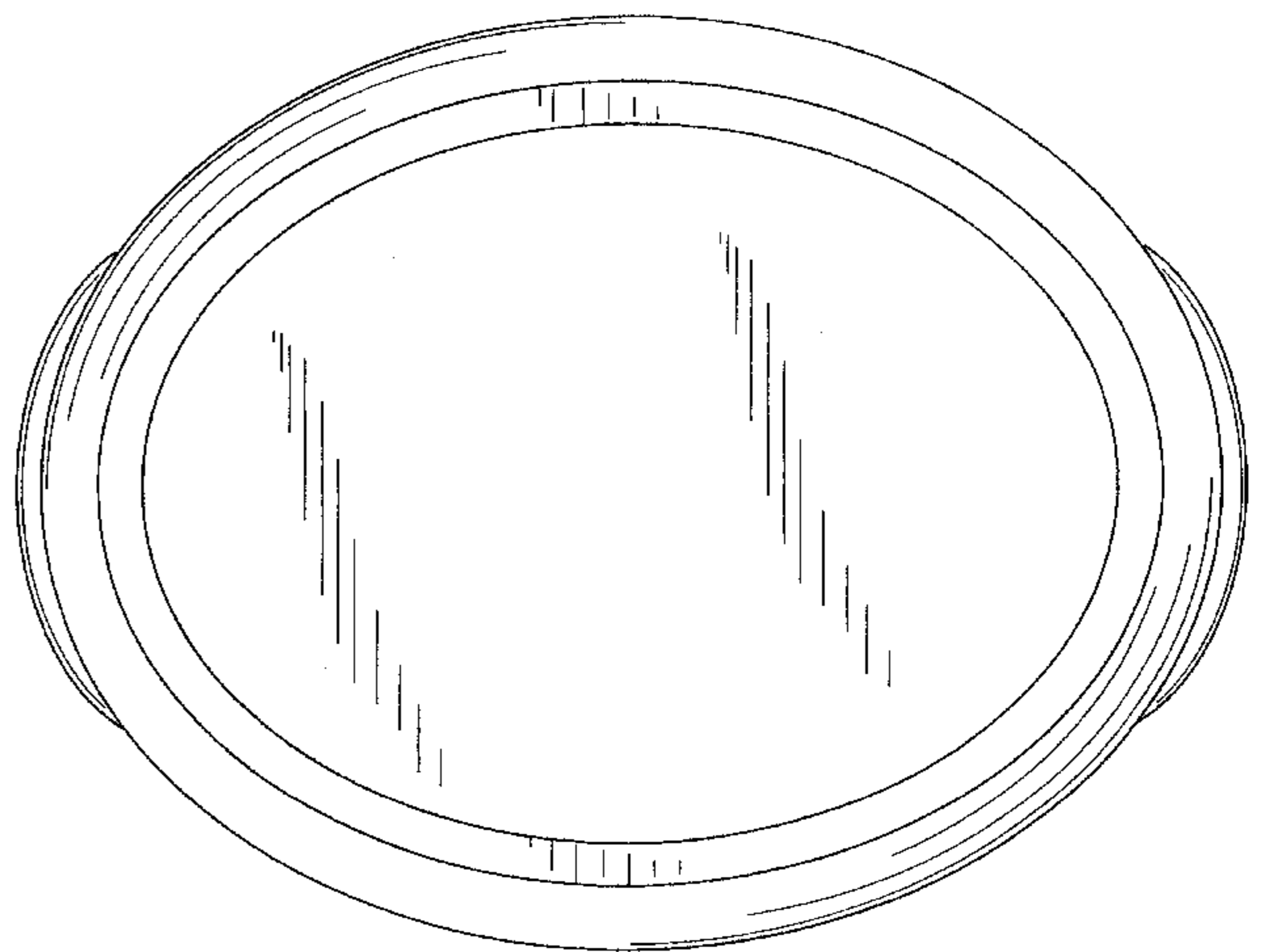
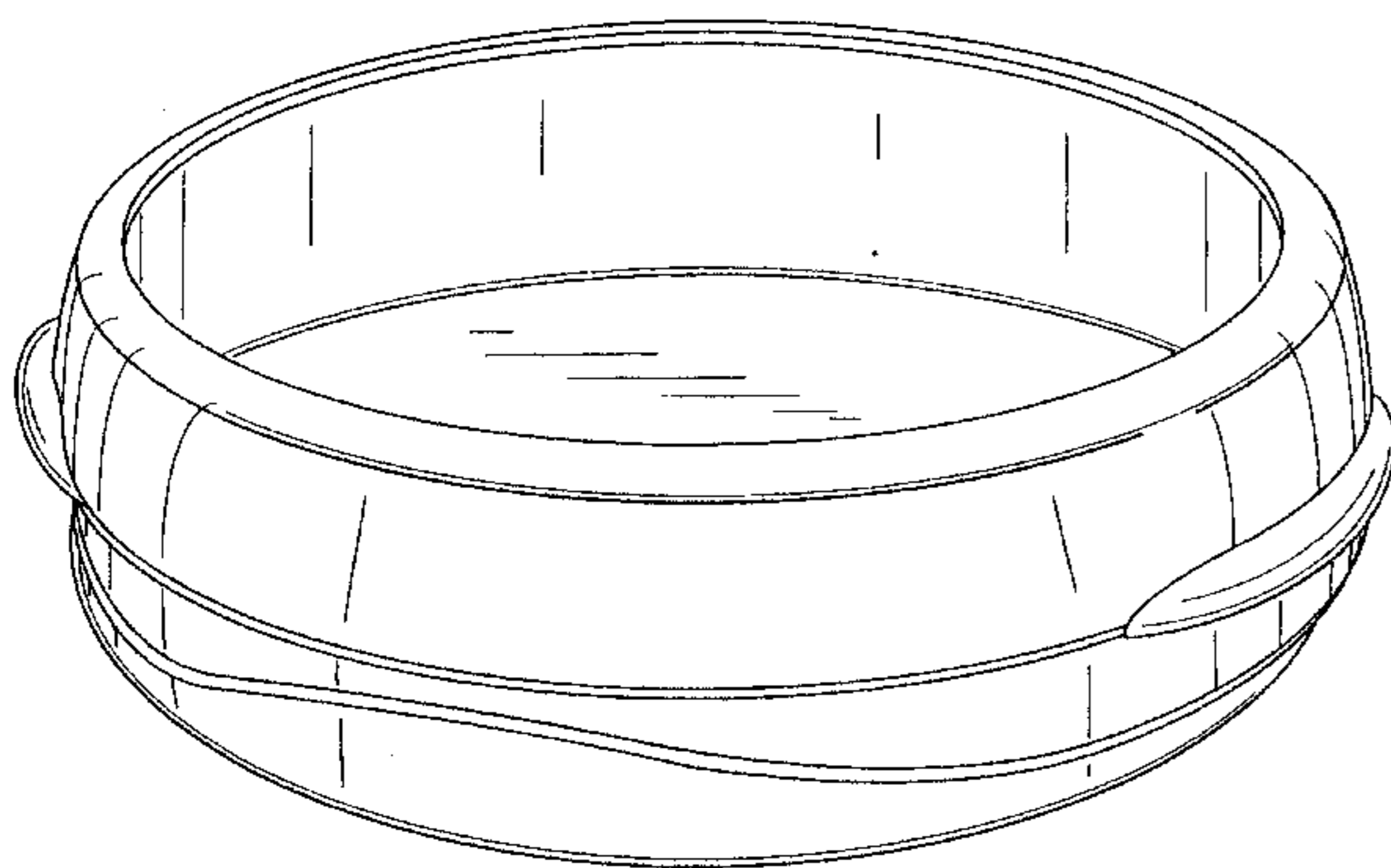
(57) **CLAIM**

The ornamental design for a cat litter pan, as shown and described.

**DESCRIPTION**

FIG. 1 is a perspective view of a cat litter pan showing my new design;  
 FIG. 2 is a top plan view thereof;  
 FIG. 3 is a bottom plan view thereof;  
 FIG. 4 is a side elevation view thereof;  
 FIG. 5 is an opposite side elevation view thereof;  
 FIG. 6 is a front elevation view thereof; and,  
 FIG. 7 is a rear elevation view thereof.

**1 Claim, 5 Drawing Sheets**



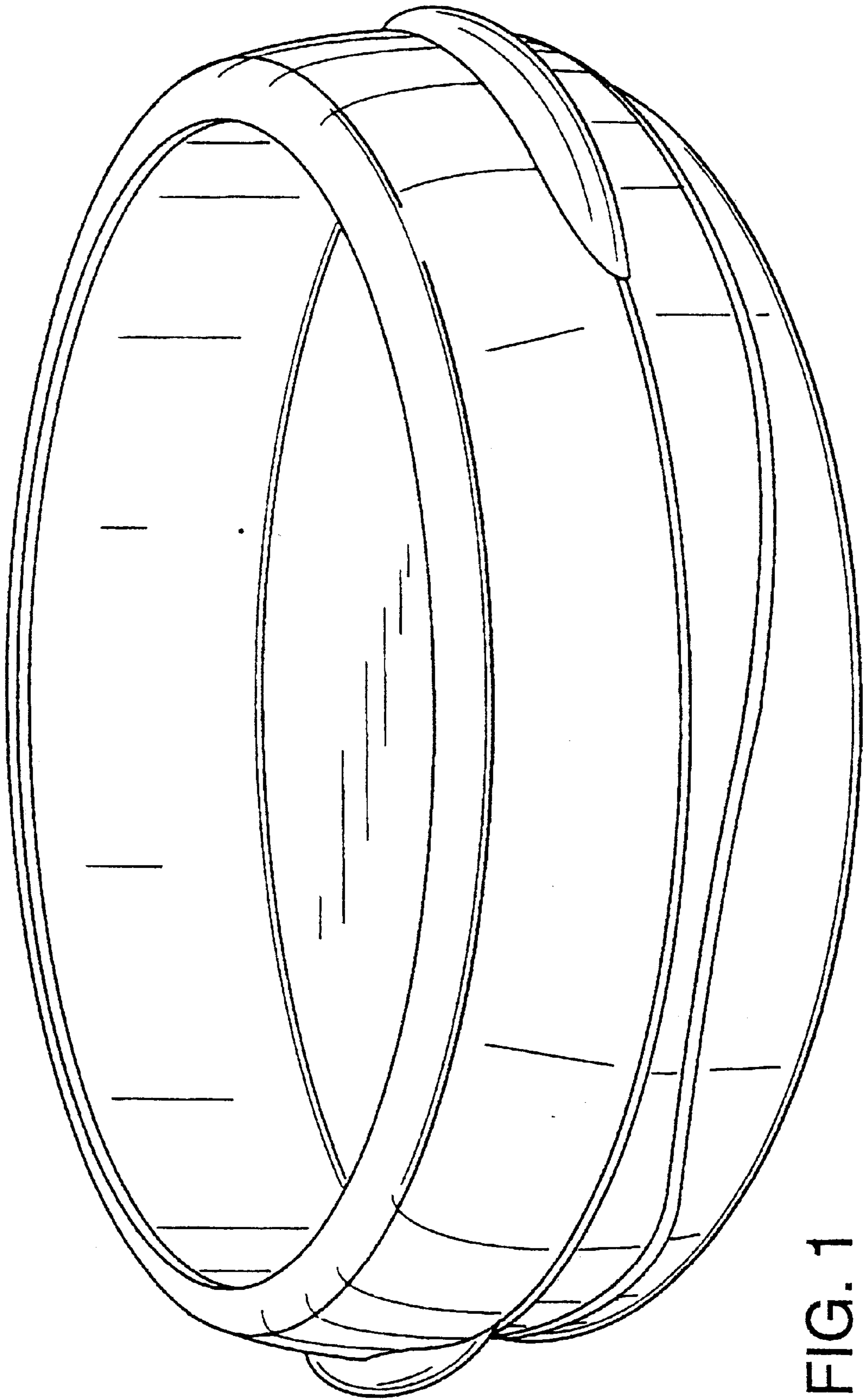


FIG. 1

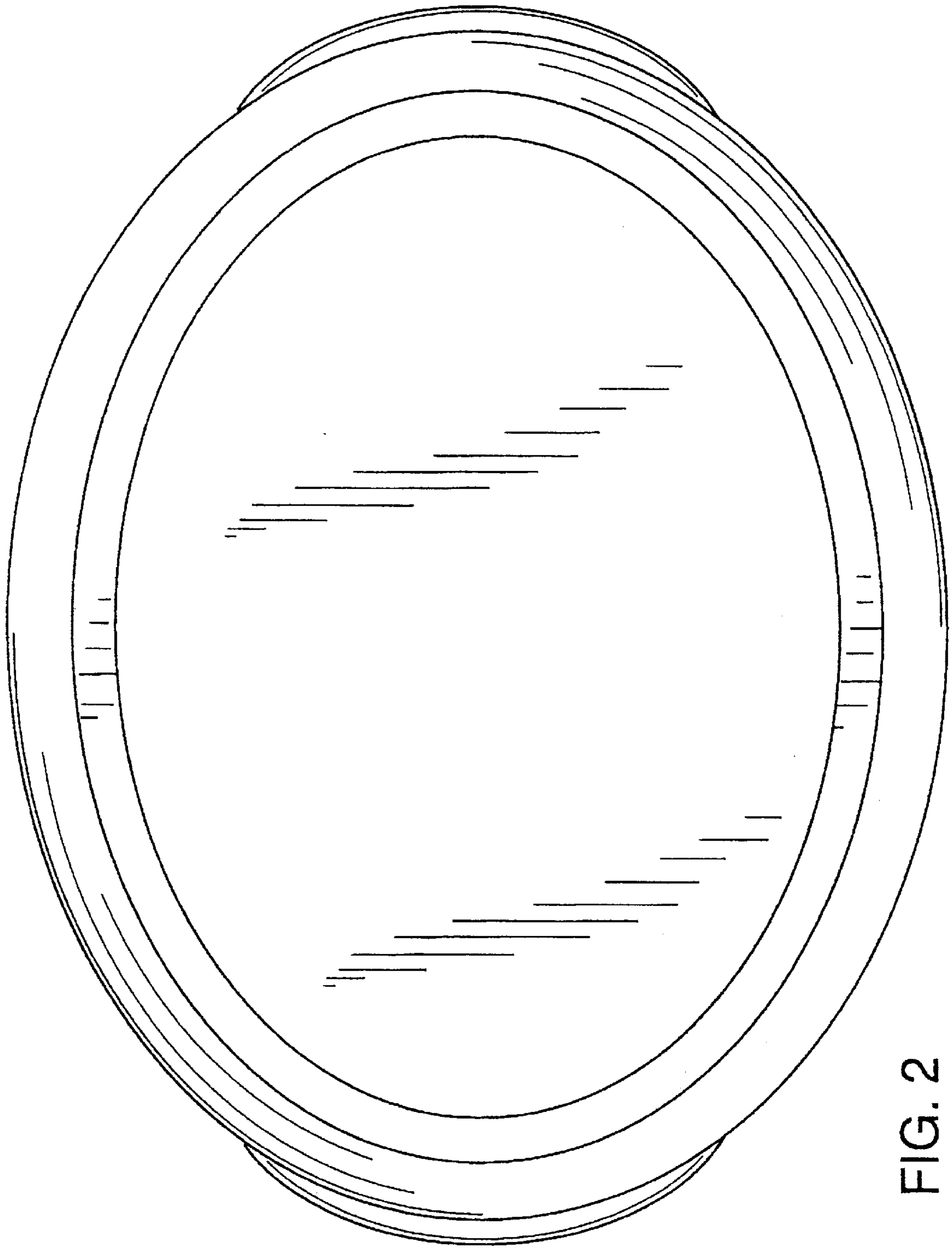


FIG. 2

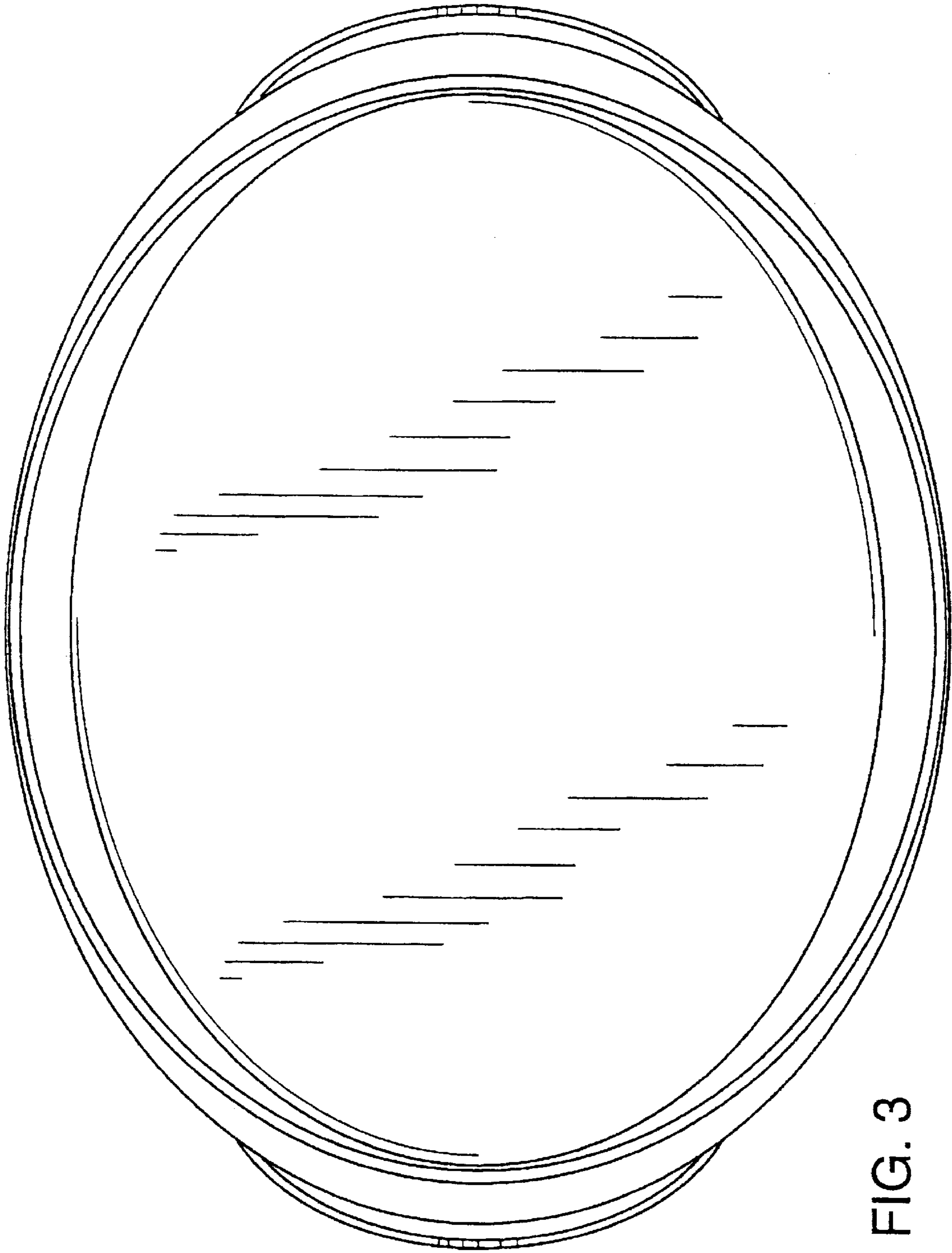


FIG. 3



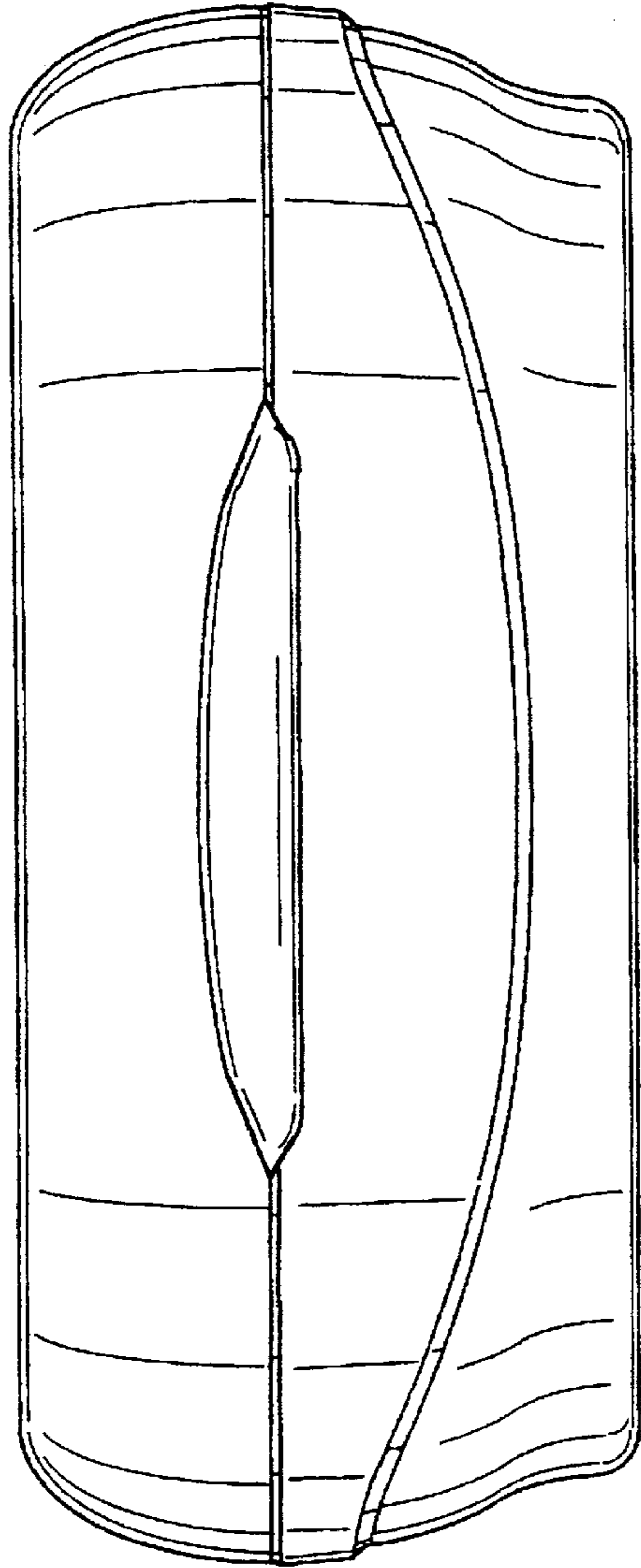


FIG. 4

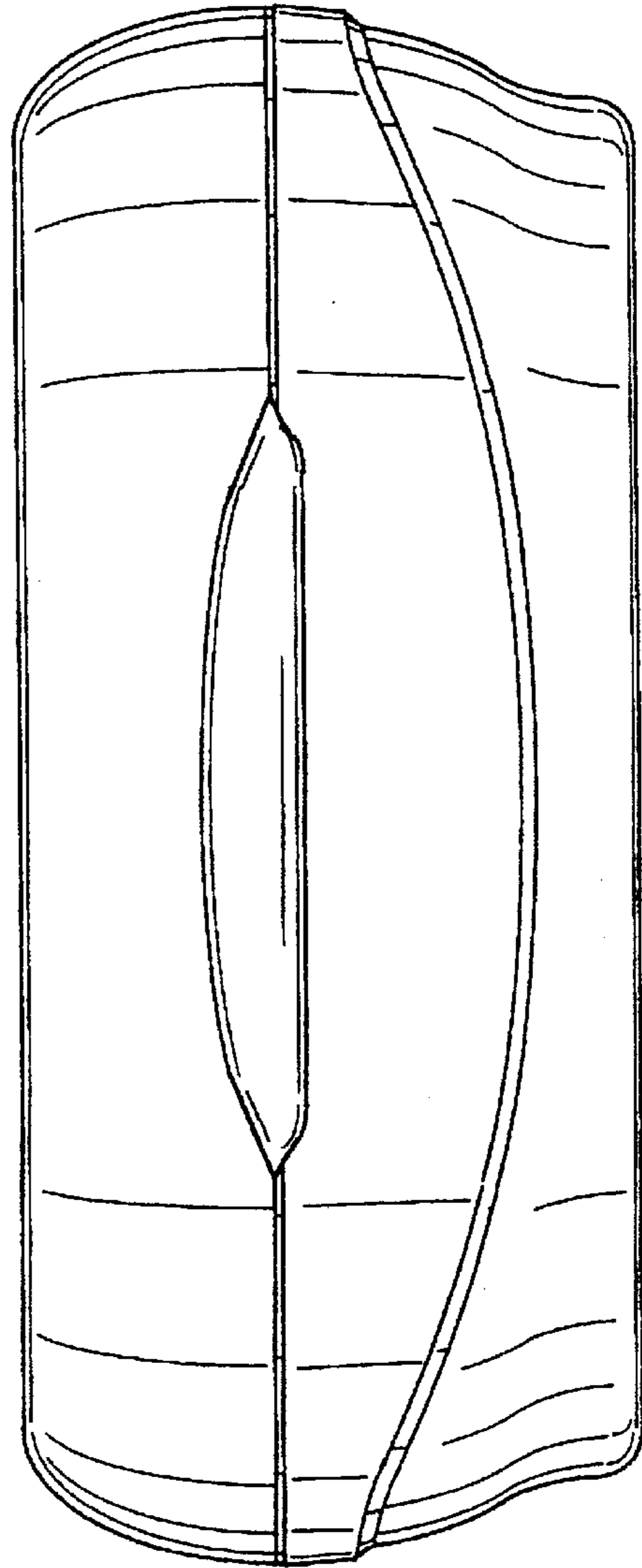


FIG. 5

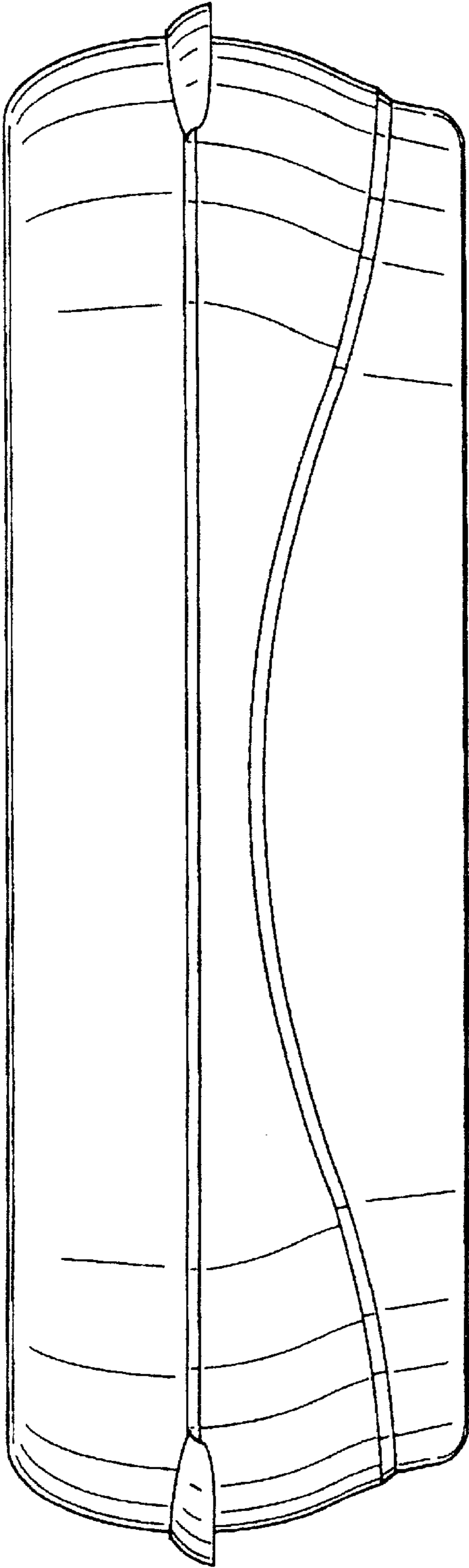


FIG. 6

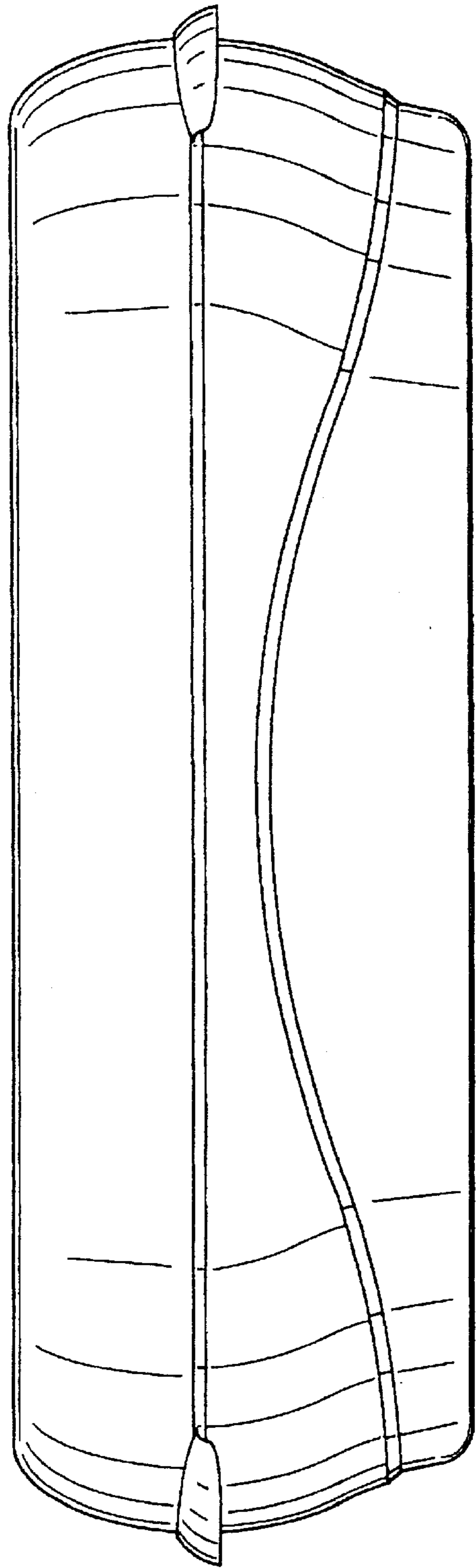


FIG. 7