

US00D453851S

(12) **United States Design Patent**
Hsu

(10) **Patent No.:** **US D453,851 S**

(45) **Date of Patent:** **** Feb. 19, 2002**

(54) **TABLE LAMP**

(75) Inventor: **Kevin Hsu**, Taichung (TW)

(73) Assignee: **Dong Guan Bright Yin Huey Lighting Co., Ltd.**, Guang Dong (CN)

(**) Term: **14 Years**

(21) Appl. No.: **29/140,022**

(22) Filed: **Apr. 12, 2001**

(51) **LOC (7) Cl.** **26-03**

(52) **U.S. Cl.** **D26/112**

(58) **Field of Search** D26/93-112; 362/410-414

(56) **References Cited**

PUBLICATIONS

Home Lighting & Accessories Jul. 1998 catalog, Broome Lampshades on p. 50.*

Rembrandt Masterpieces Lamps Apr. 1973 catalog, Smoky Jewel lamp number LS 2349 on p. 10.*

* cited by examiner

Primary Examiner—Alan P. Douglas

Assistant Examiner—Linda Brooks

(74) *Attorney, Agent, or Firm*—Rosenberg, Klein & Lee

(57) **CLAIM**

The ornamental design for a table lamp, as shown and described.

DESCRIPTION

FIG. 1 is a perspective view of a table lamp showing my new design;

FIG. 2 is a front elevation view thereof;

FIG. 3 is a rear elevation view thereof;

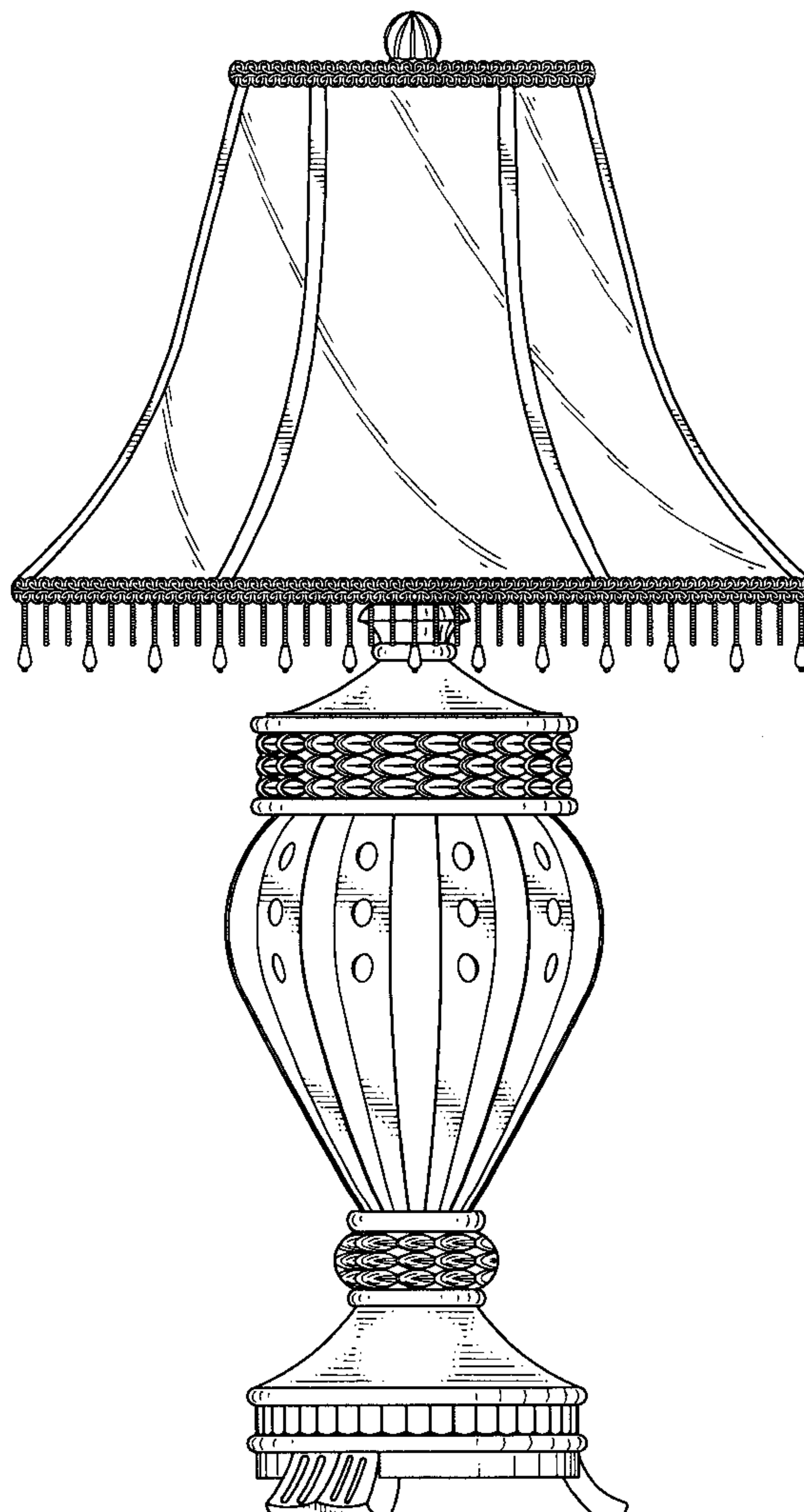
FIG. 4 is a left side elevation view thereof;

FIG. 5 is a right side elevation view thereof;

FIG. 6 is a top plan view thereof; and,

FIG. 7 is a bottom plan view thereof.

1 Claim, 6 Drawing Sheets



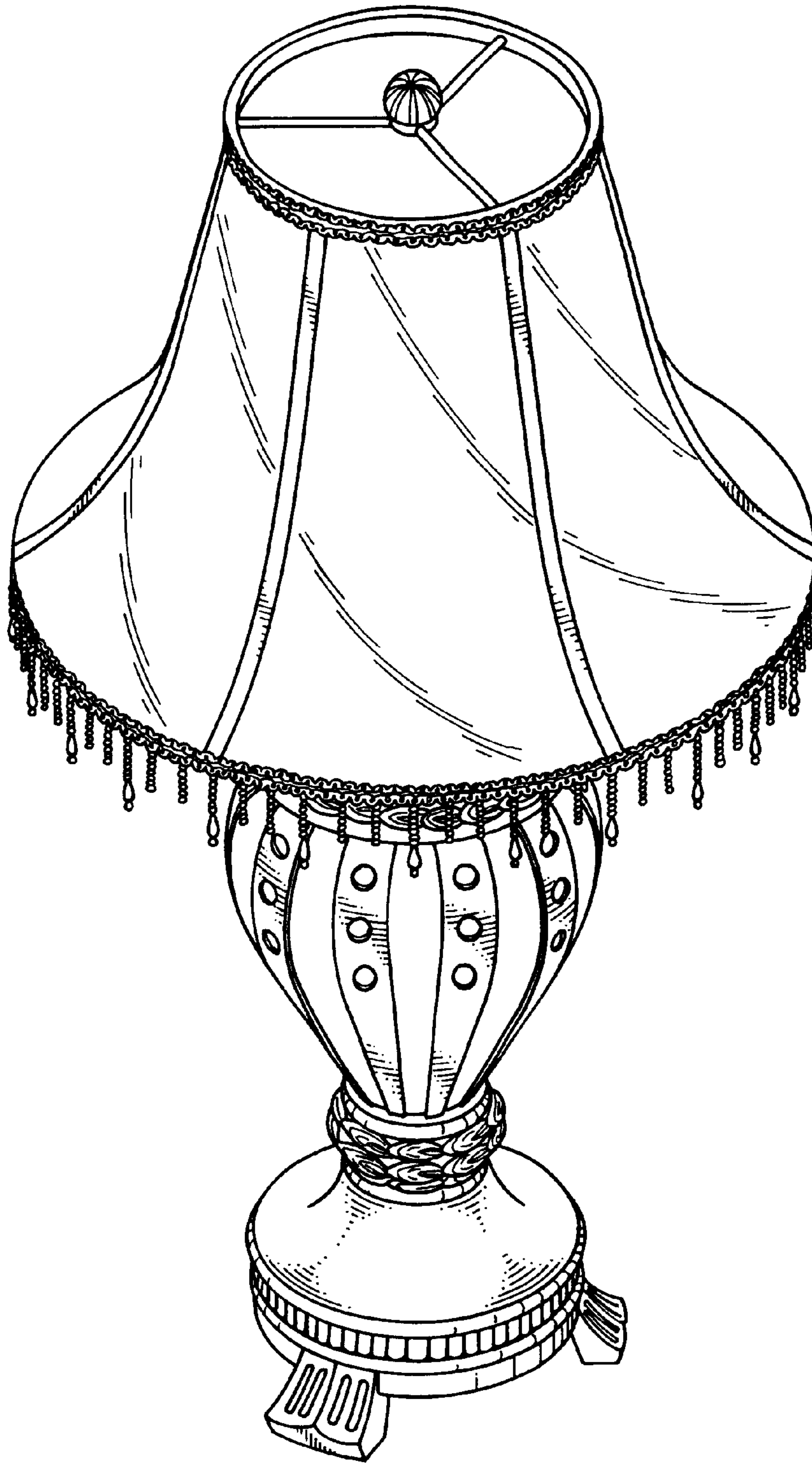


FIG. 1

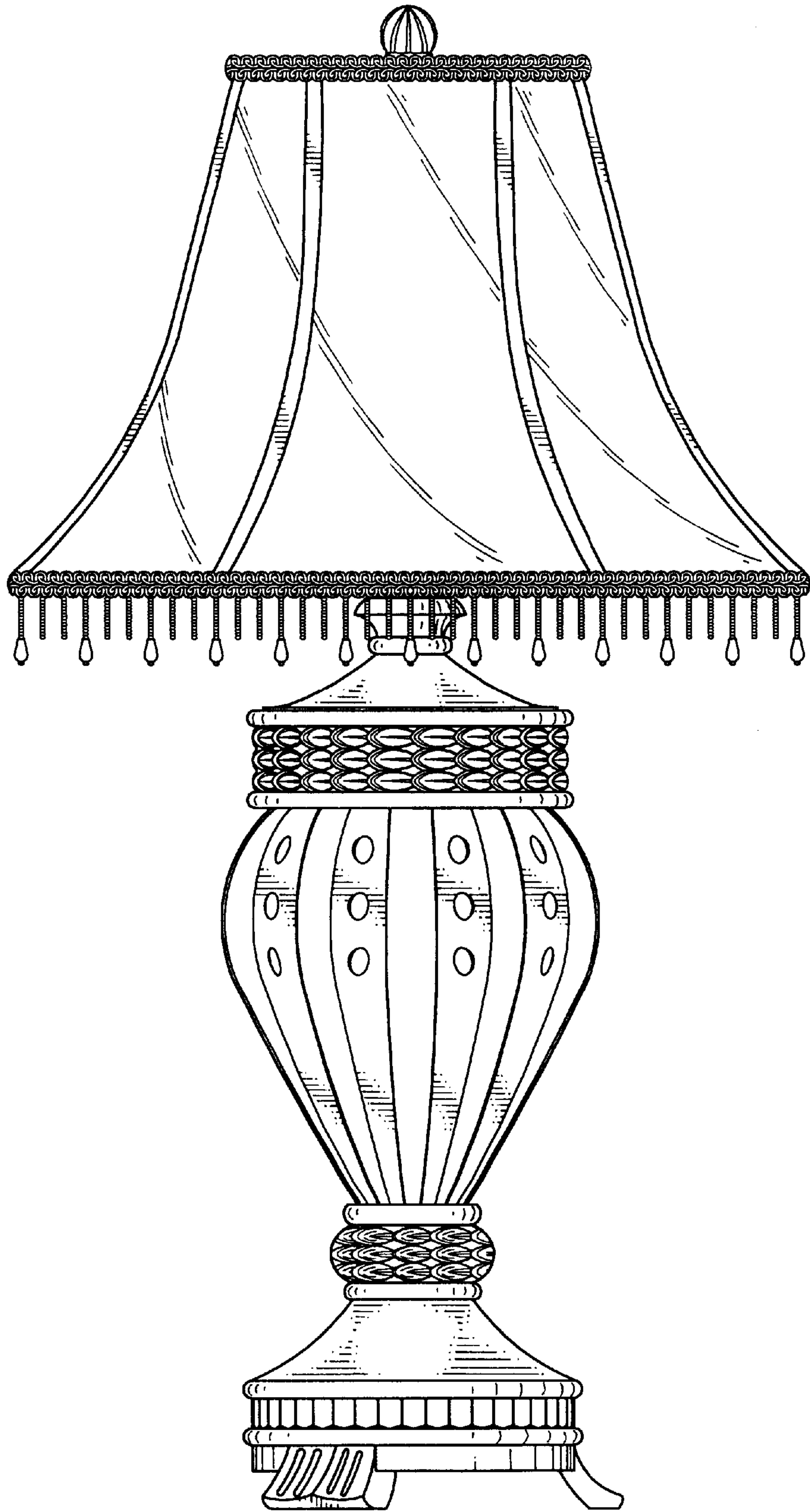


FIG. 2

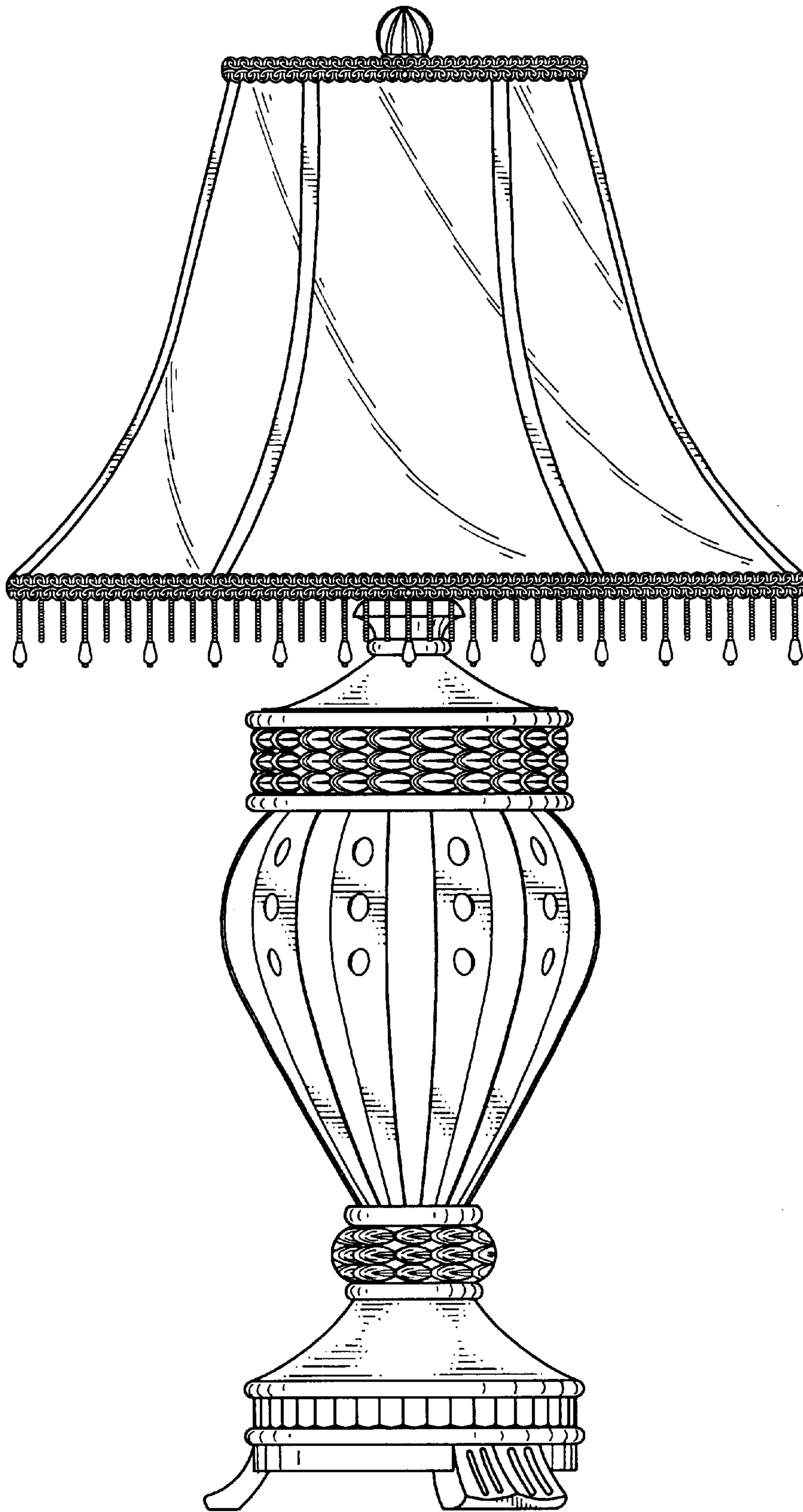


FIG. 3

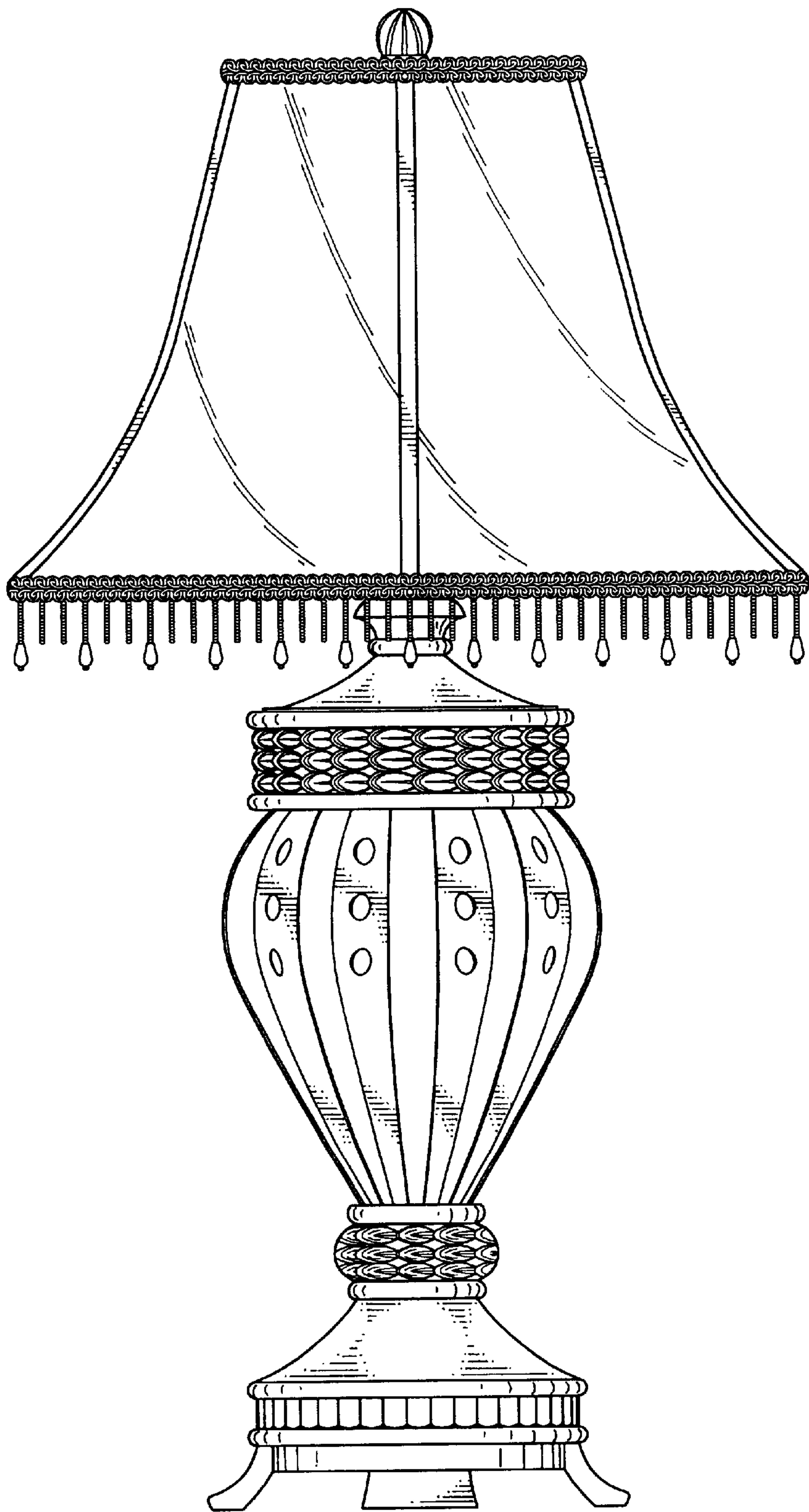


FIG. 4

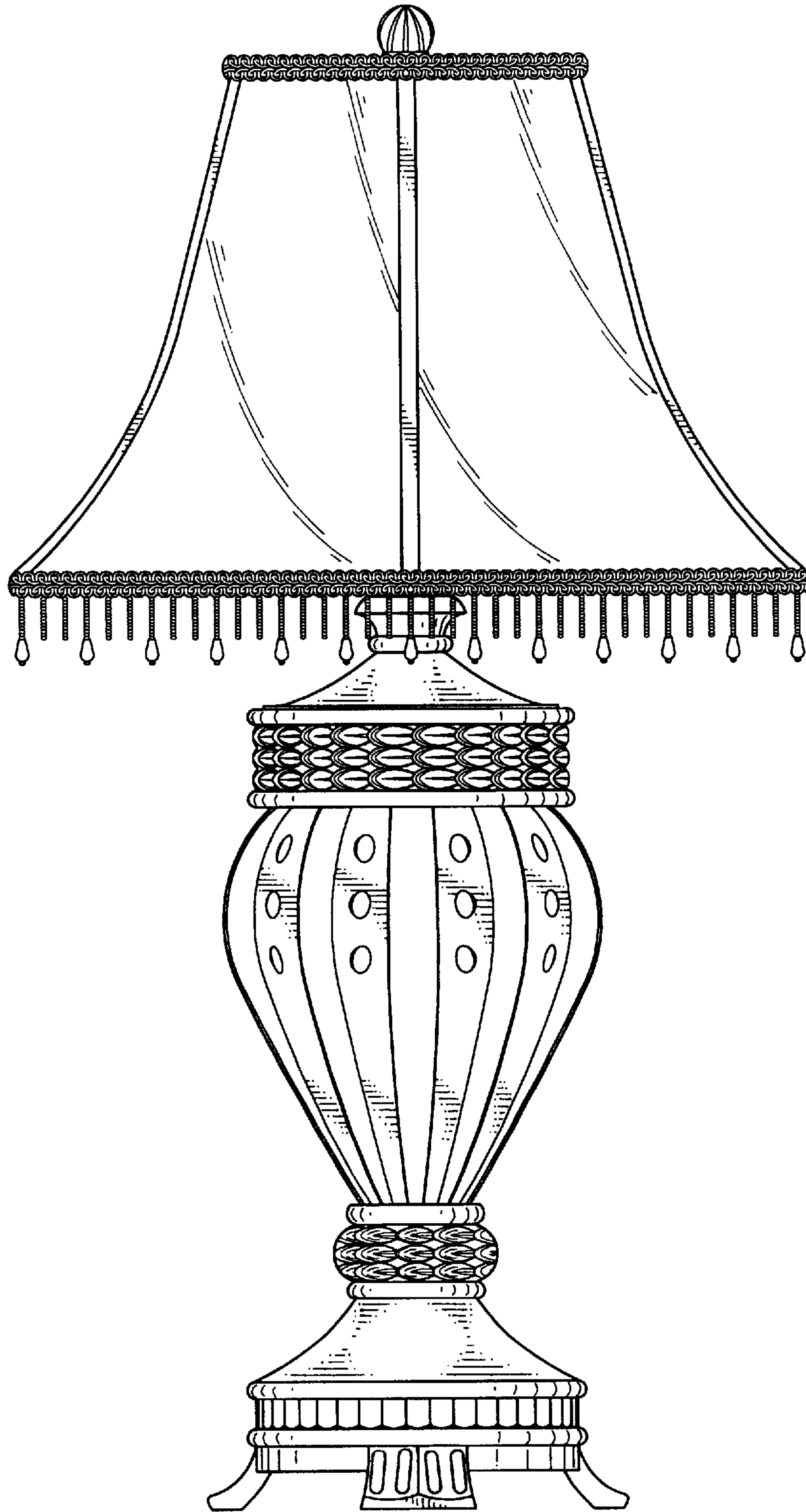


FIG. 5

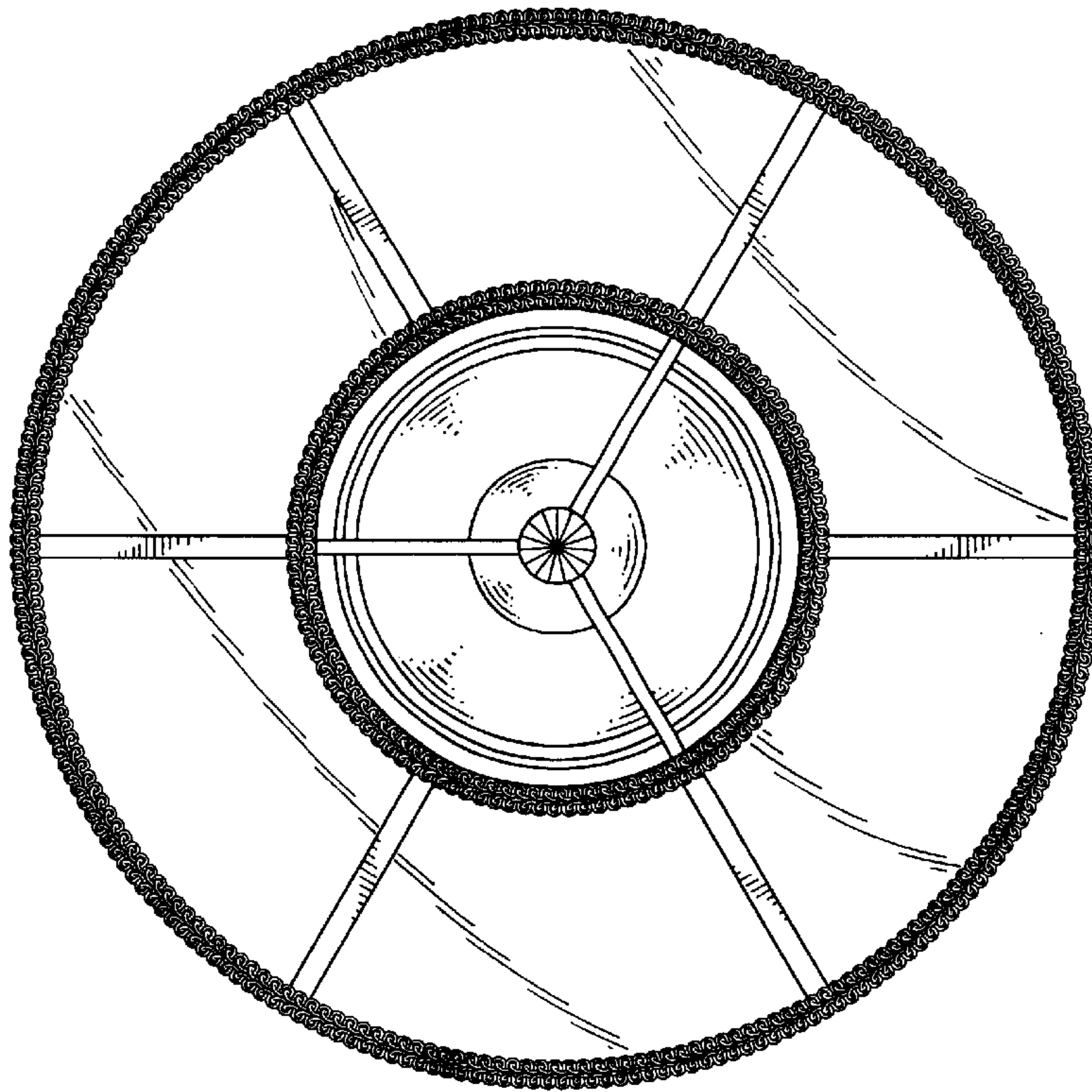


FIG. 6

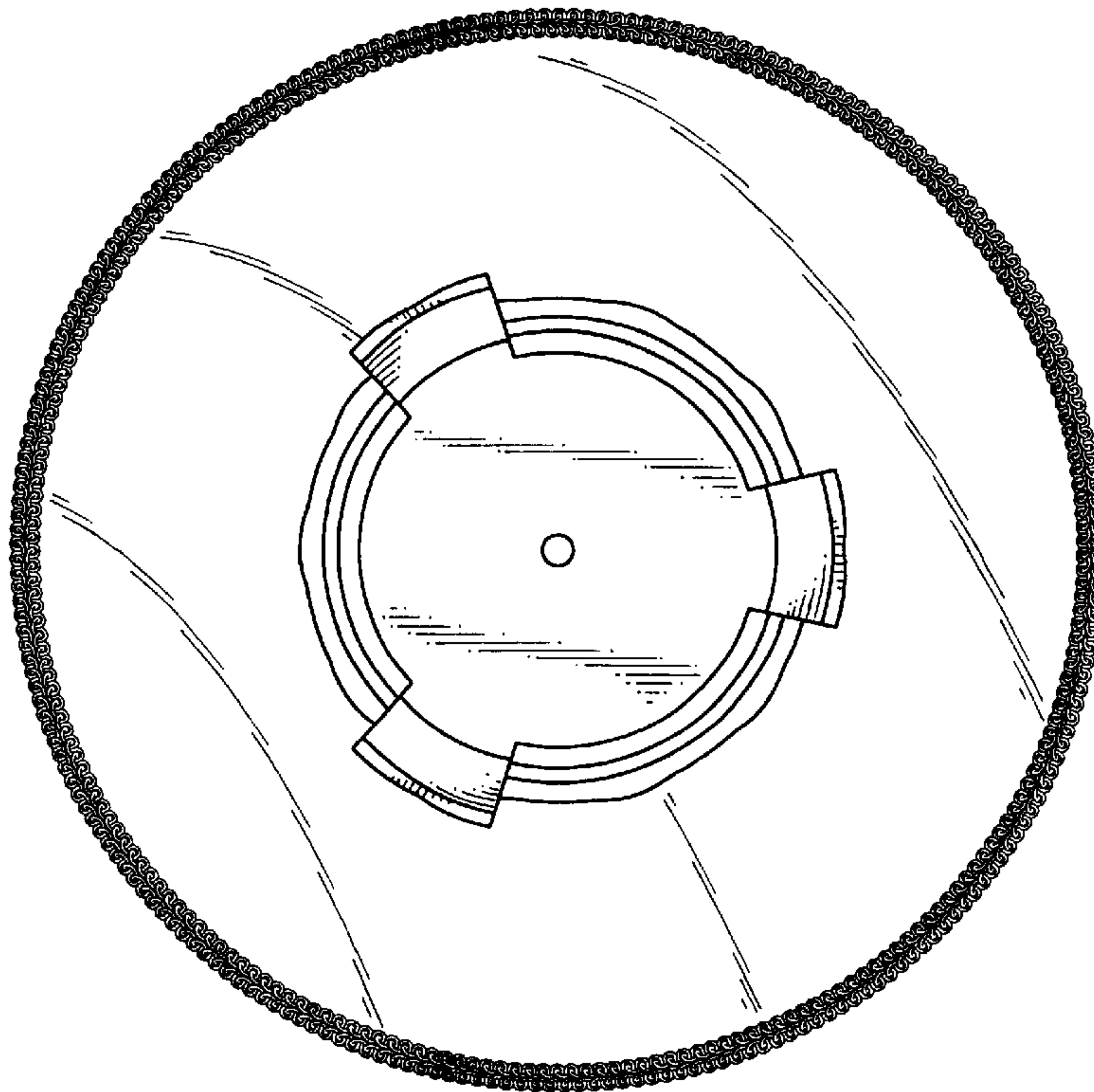


FIG. 7