



US00D453850S

(12) **United States Design Patent**
Leen

(10) **Patent No.:** **US D453,850 S**

(45) **Date of Patent:** **** Feb. 19, 2002**

(54) **FLAT-BOTTOM LIGHT FIXTURE**

D435,799 S * 1/2001 Leen D10/104

(76) **Inventor:** **Monte A. Leen**, 11730 NE. 12th St.,
Bellevue, WA (US) 98005

* cited by examiner

(**) **Term:** **14 Years**

Primary Examiner—Susan J. Lucas

(74) *Attorney, Agent, or Firm*—Dean A. Craine

(21) **Appl. No.:** **29/127,594**

(57) **CLAIM**

(22) **Filed:** **Aug. 8, 2000**

The ornamental design for a flat-bottom light fixture, as shown and described.

(51) **LOC (7) Cl.** **26-05**

(52) **U.S. Cl.** **D26/63**

(58) **Field of Search** D26/60–66; 362/269,
362/270, 275, 277, 278, 281, 283, 284,
285, 287, 289, 401, 402, 427, 423; D10/104,
105

DESCRIPTION

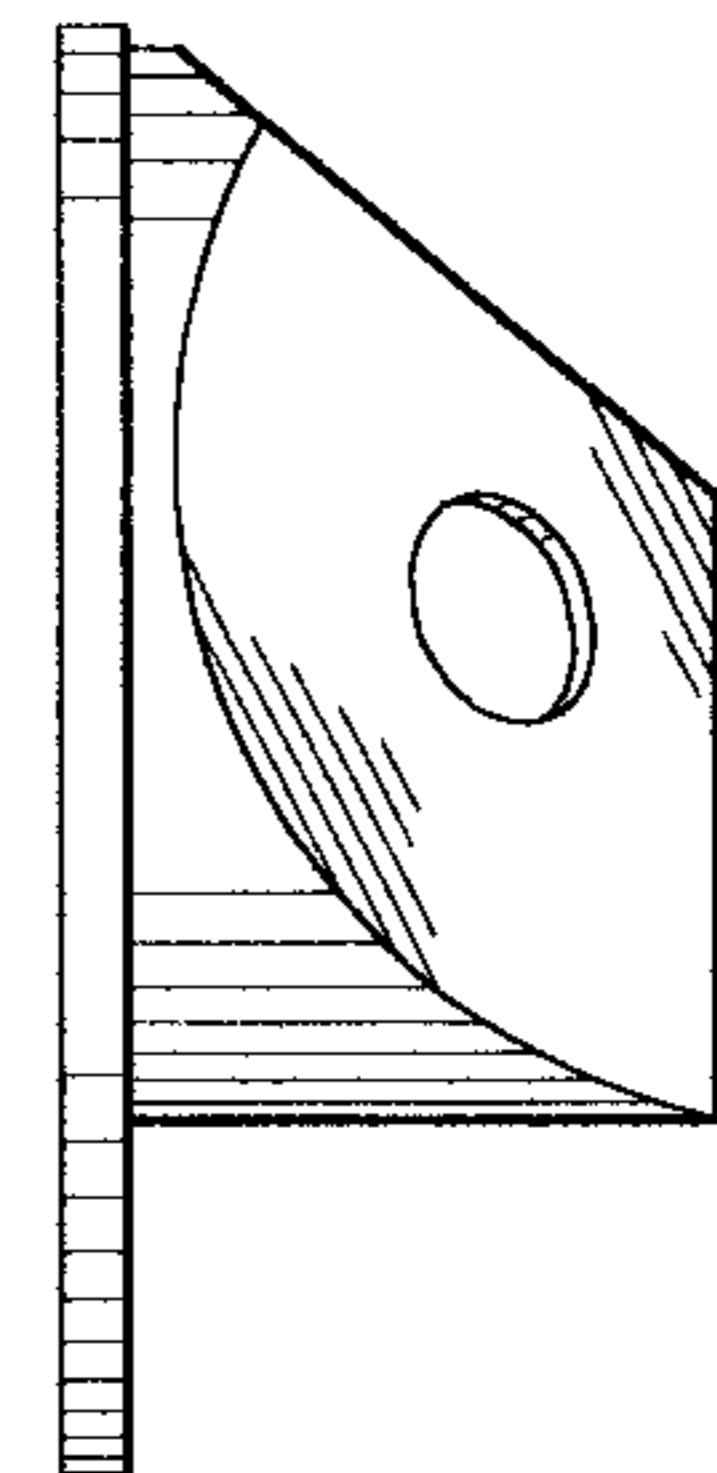
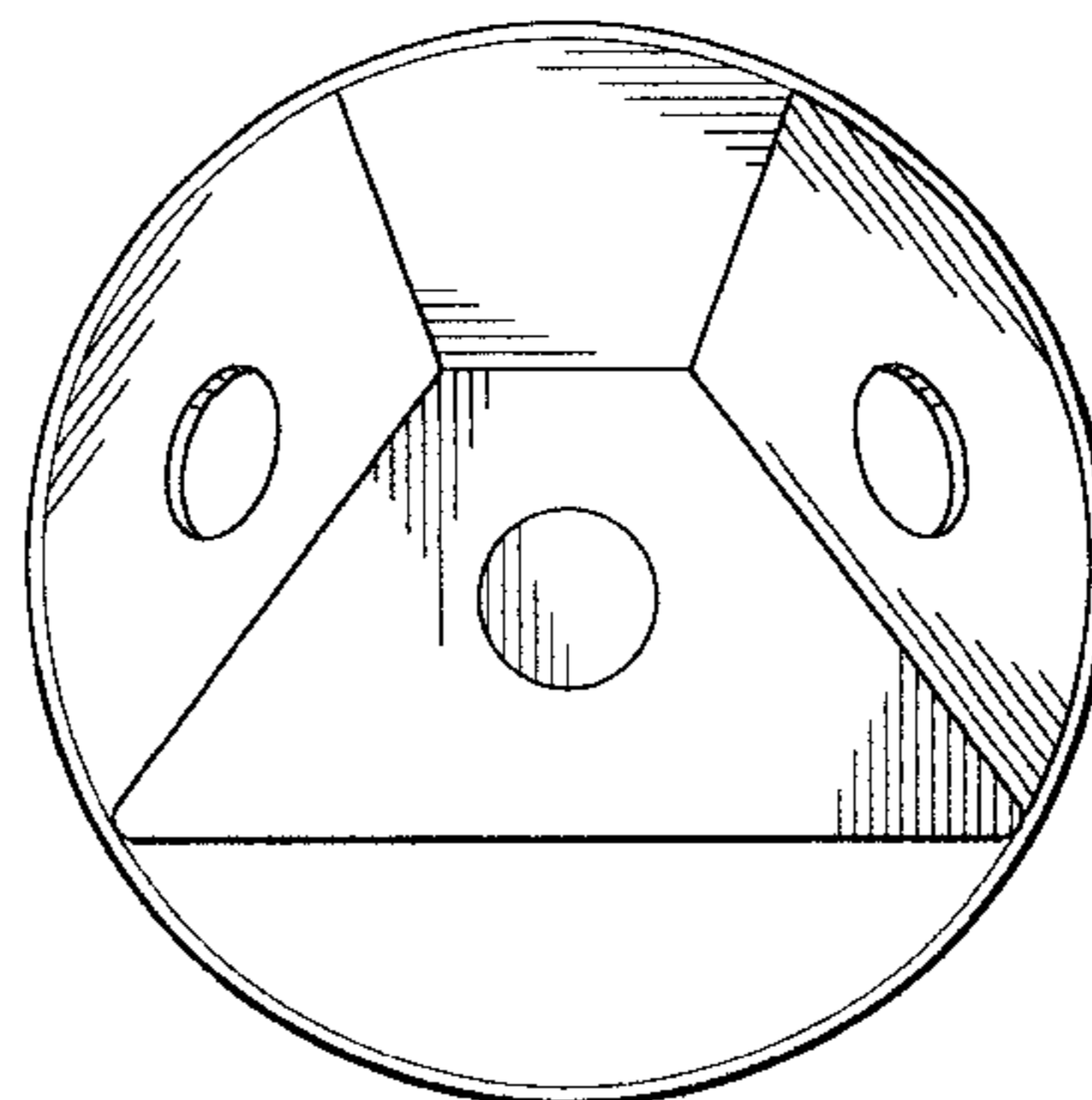
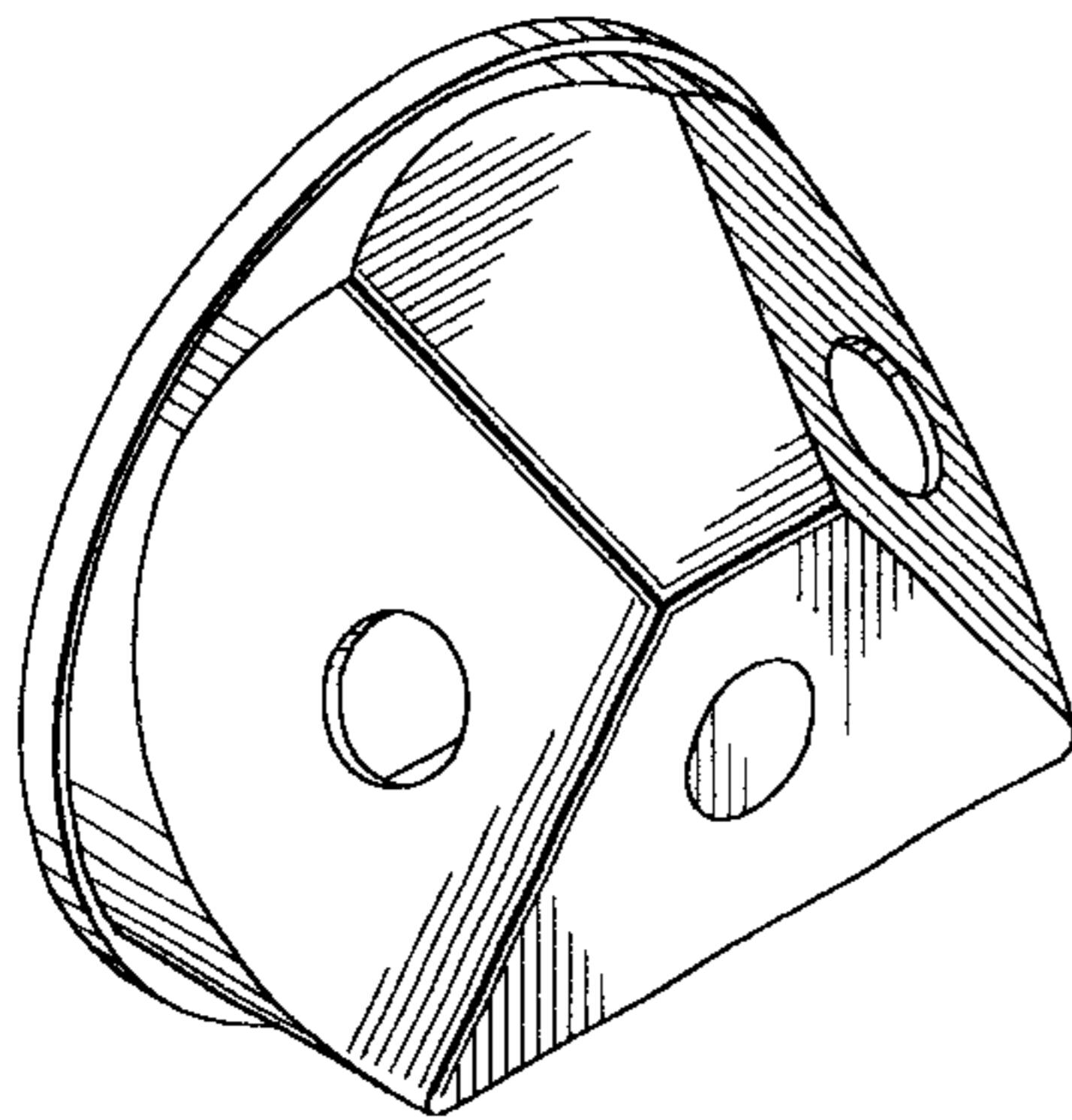
FIG. 1 is a perspective view of the flat-bottom light fixture.
FIG. 2 is a front elevation view of the invention.
FIG. 3 is a rear elevation view of the invention.
FIG. 4 is a top plan elevation view of the invention.
FIG. 5 is a bottom plan elevation view of the invention.
FIG. 6 is a right side elevation view of the invention; and,
FIG. 7 is a left side elevation view of the invention.

(56) **References Cited**

U.S. PATENT DOCUMENTS

D392,065 S * 3/1998 Morrow et al. D26/65
D399,022 S * 9/1998 Jensen D26/63 X

1 Claim, 2 Drawing Sheets



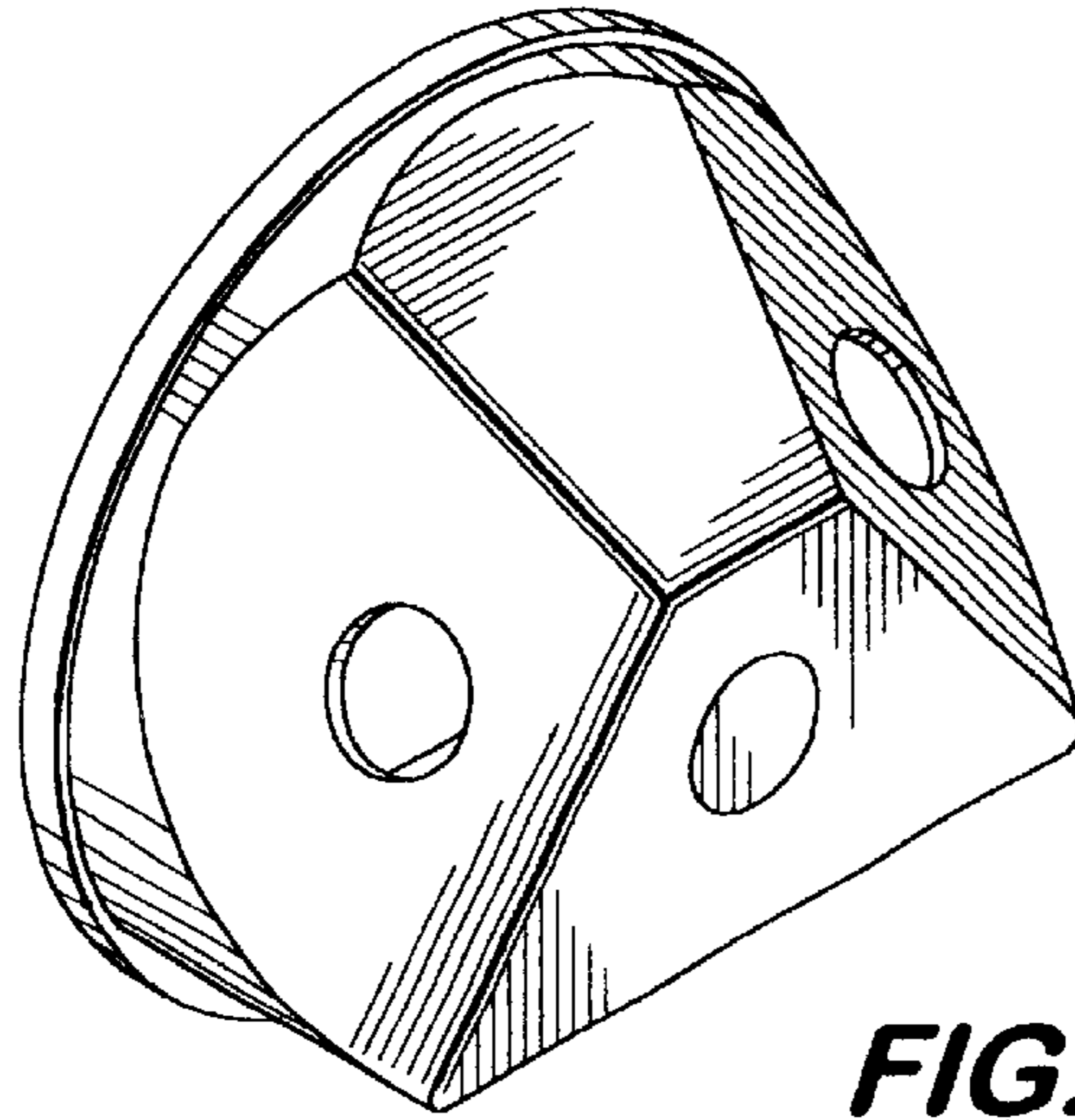


FIG. 1

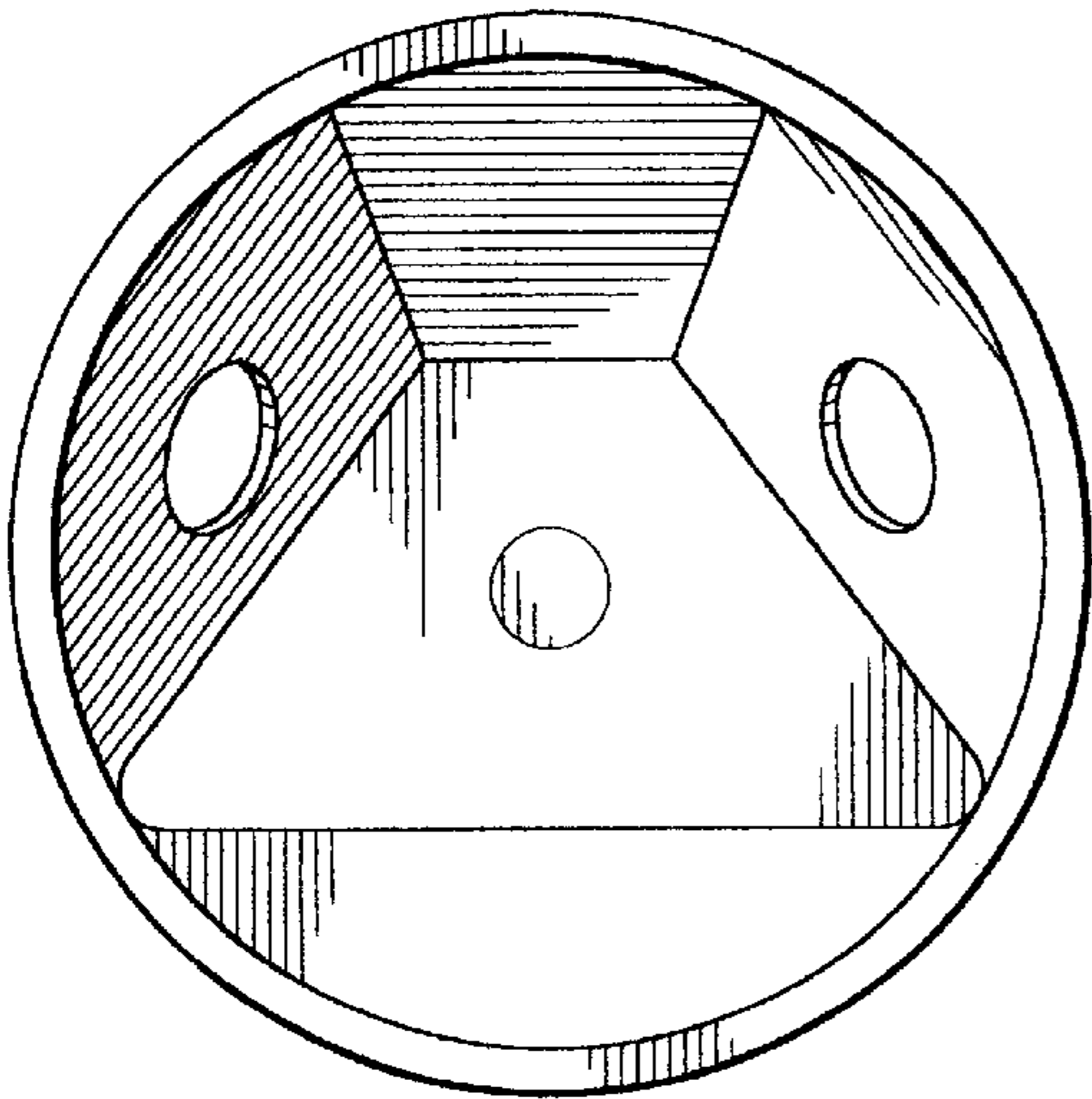


FIG. 3

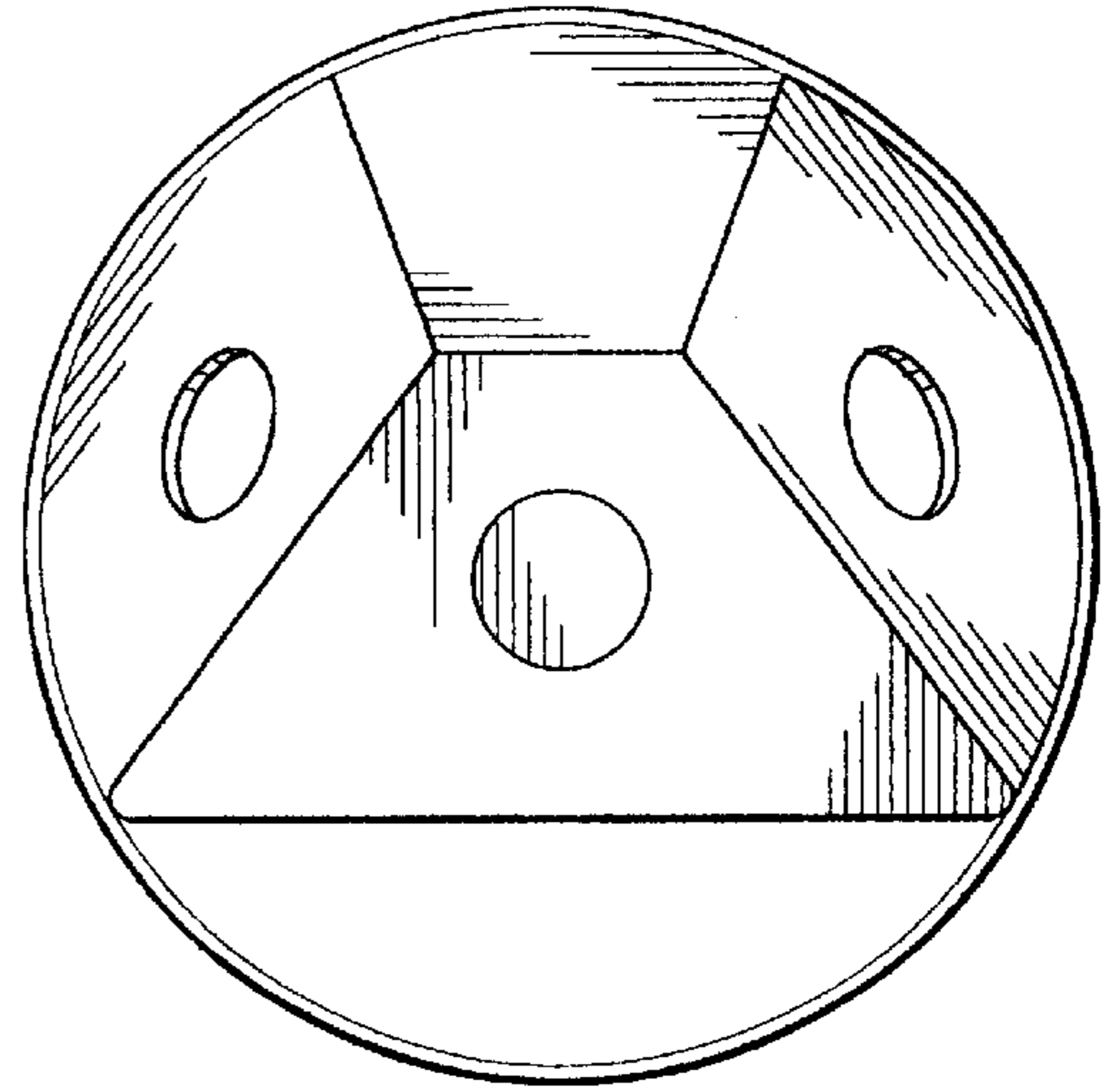


FIG. 2

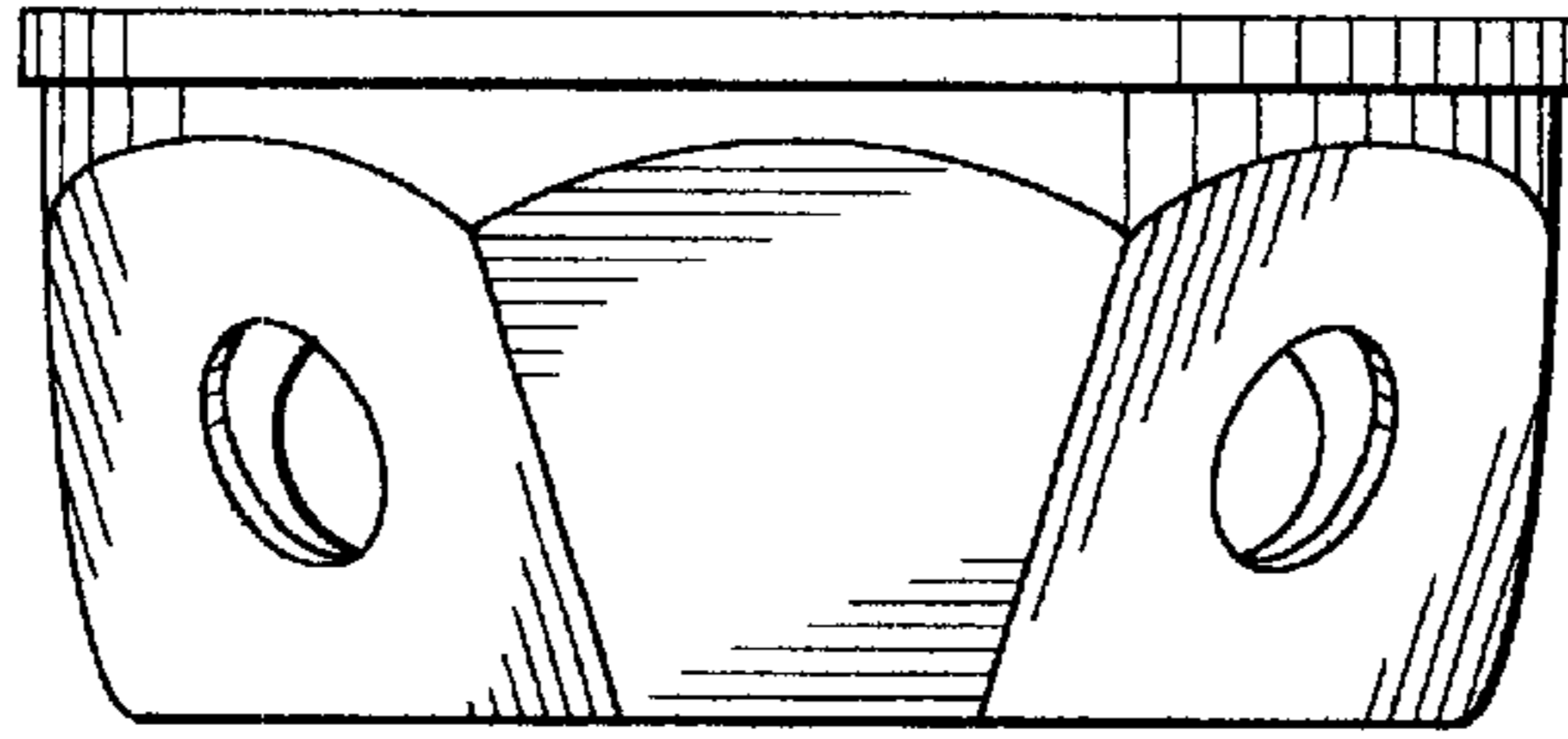


FIG. 4

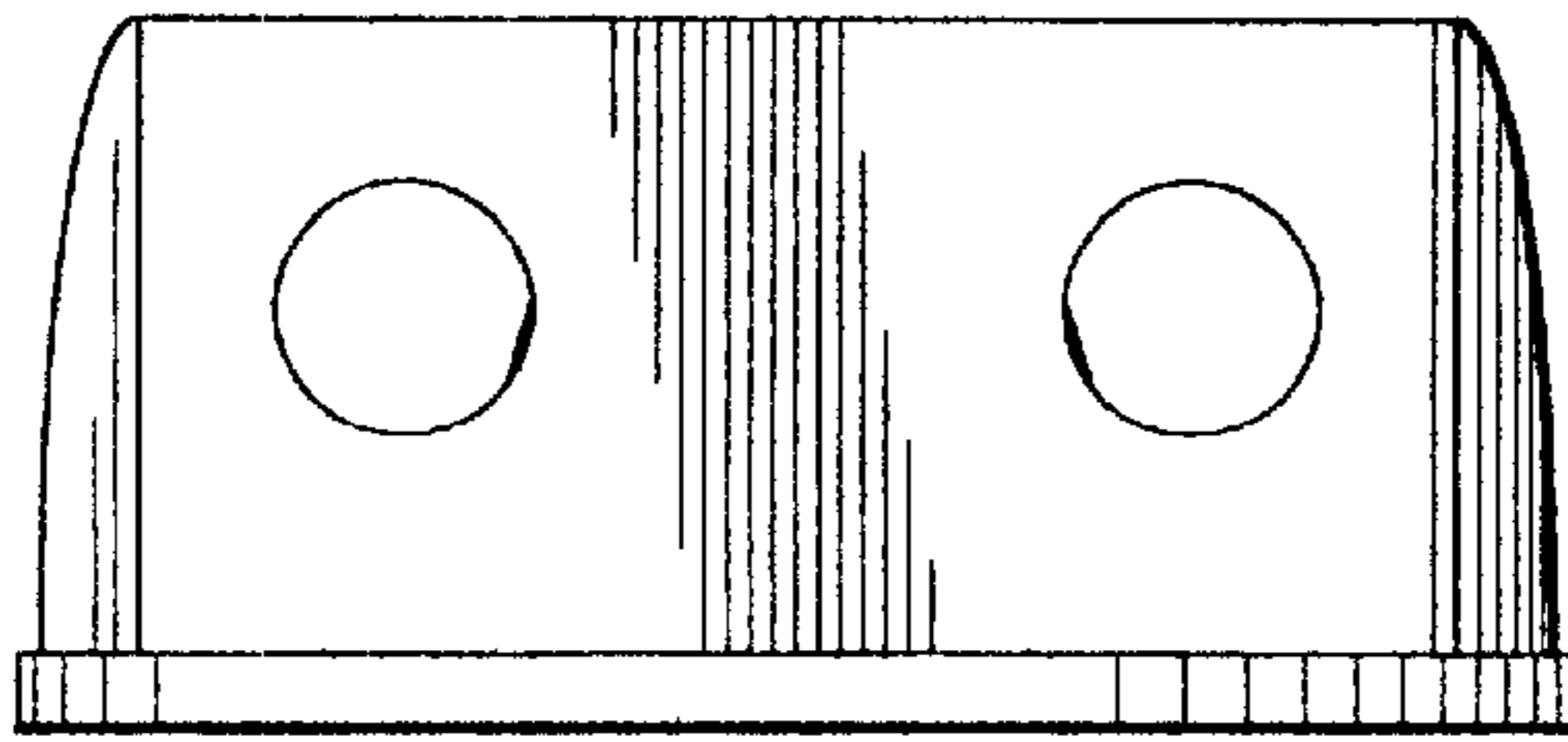


FIG. 5

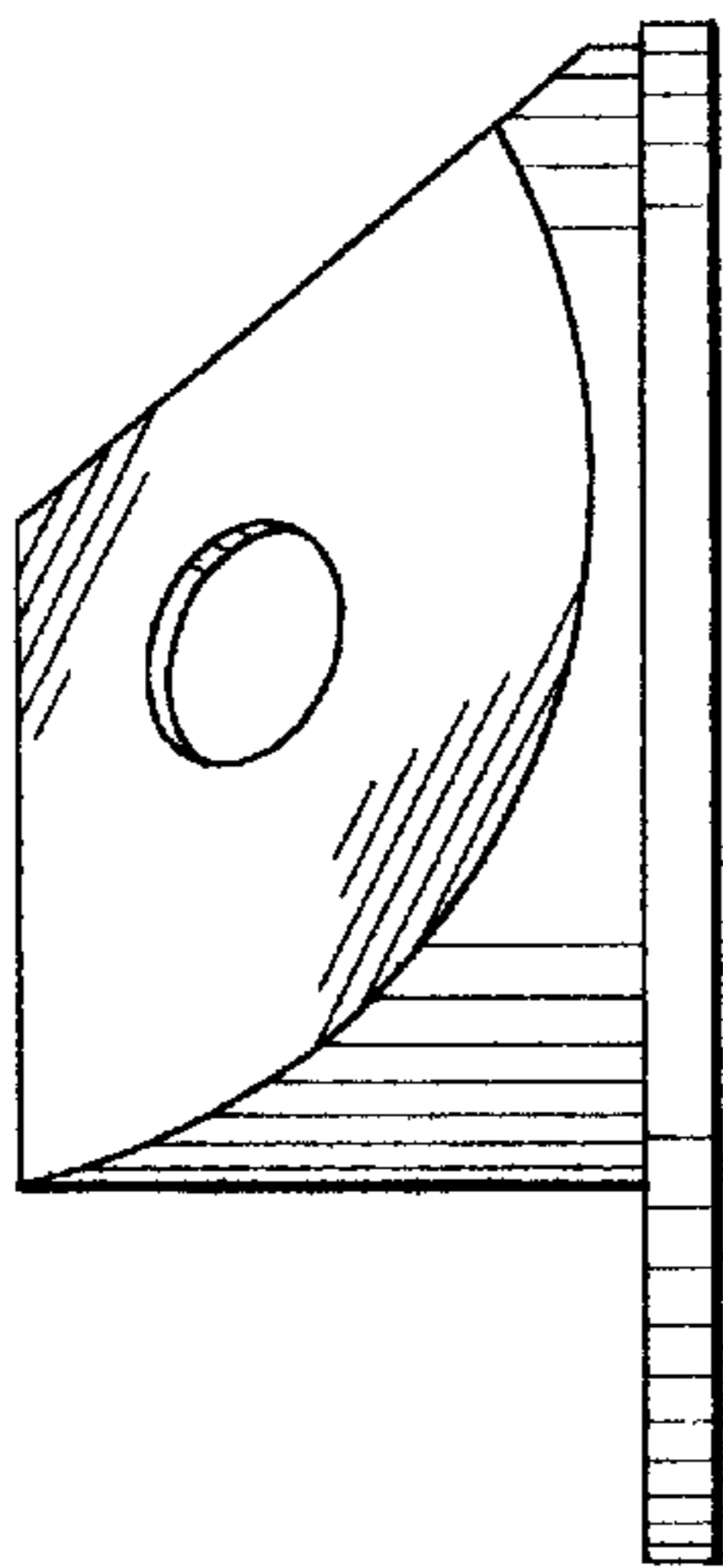


FIG. 6

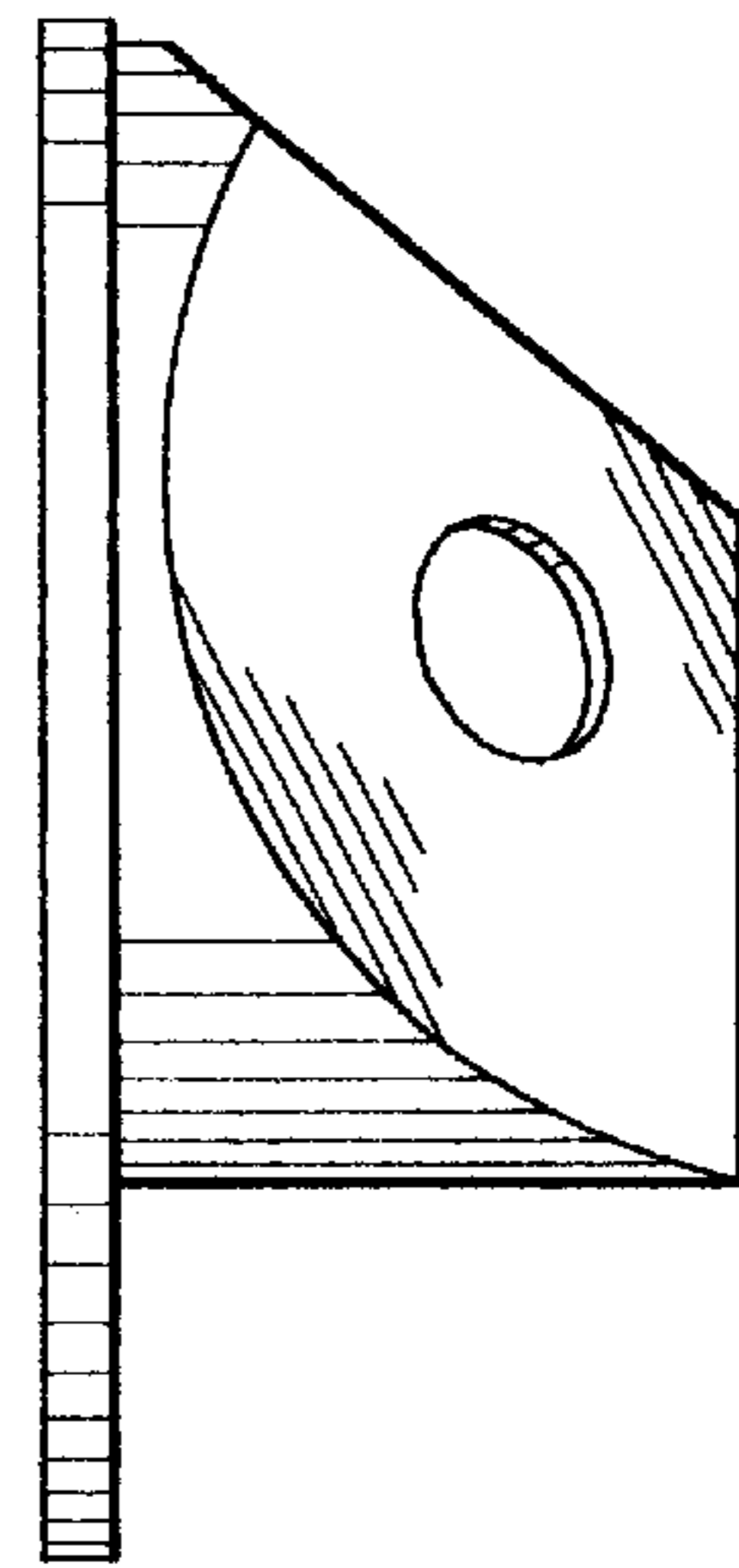


FIG. 7