



US00D453844S

(12) **United States Design Patent**  
**Scalzott**

(10) **Patent No.:** **US D453,844 S**

(45) **Date of Patent:** **\*\* Feb. 19, 2002**

(54) **STILE EXTRUSION**

D375,176 S \* 10/1996 DiGiorgio ..... D25/124

(75) Inventor: **Charles Ronald Scalzott**, New Kensington, PA (US)

\* cited by examiner

(73) Assignee: **Custom Window Extrusions, Inc.**, Delmont, PA (US)

*Primary Examiner*—Doris Clark  
(74) *Attorney, Agent, or Firm*—Cook, Alex, McFarron, Manzo, Cummings & Mehler, Ltd.

(\*\*) Term: **14 Years**

(21) Appl. No.: **29/140,679**

(22) Filed: **Apr. 23, 2001**

(51) **LOC (7) Cl.** ..... **25-01**

(52) **U.S. Cl.** ..... **D25/124**

(58) **Field of Search** ..... D25/124, 119, D25/52, 60; 52/730.3, 656.6, 204.5, 204.56, 204.51, 730, 205.1, 202; 49/501, 504, DIG. 2, 404, 413, 419, 407, 408, 406

(57) **CLAIM**

An ornamental design for a stile extrusion, as shown and described.

**DESCRIPTION**

FIG. 1 is a perspective of the stile extrusion showing my new design the stile extrusion being of indefinite length; and,

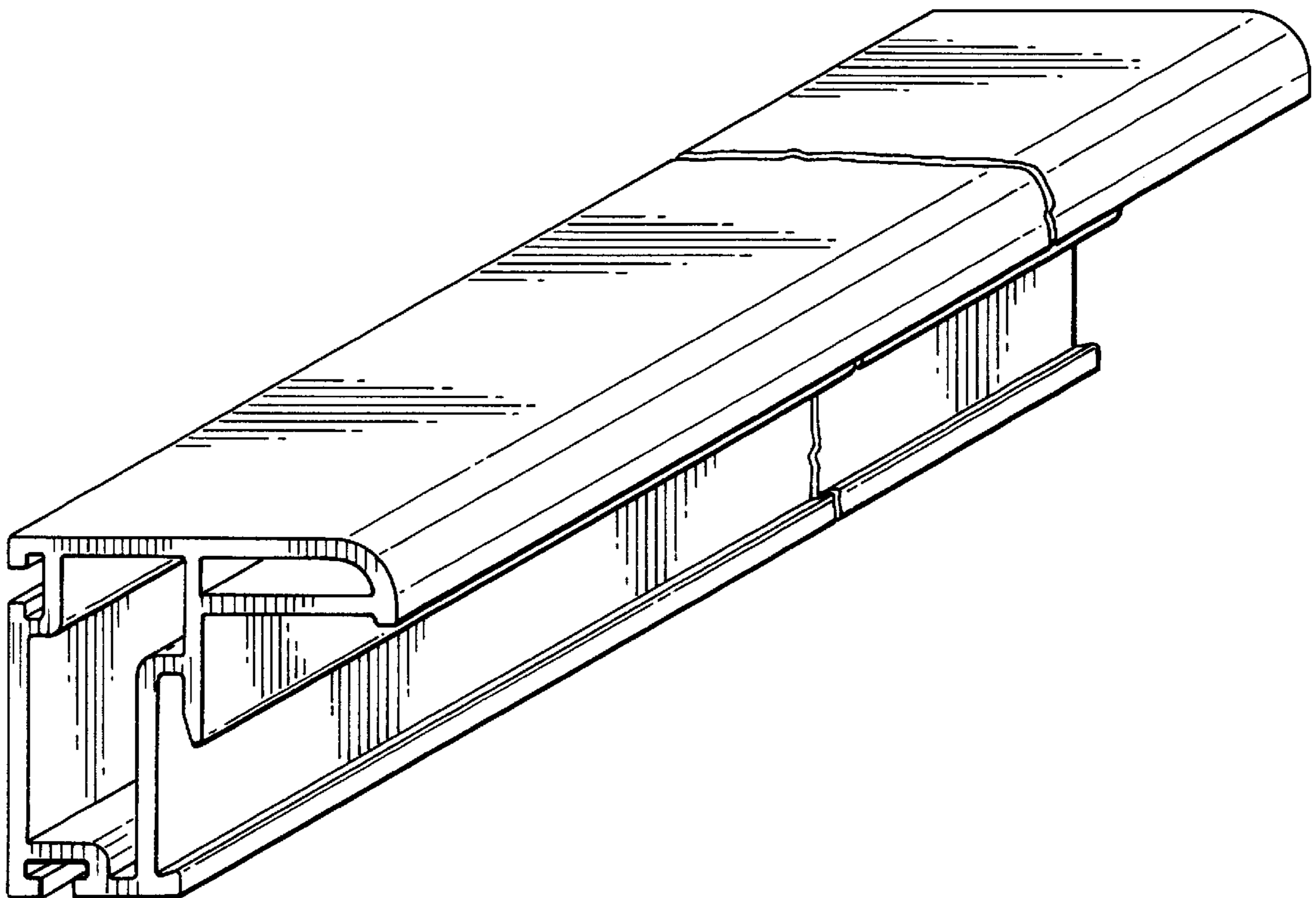
FIG. 2 is an end elevational view of the stile extrusion of FIG. 1.

(56) **References Cited**

**U.S. PATENT DOCUMENTS**

4,395,847 A \* 8/1983 Atchison ..... 49/406

**1 Claim, 1 Drawing Sheet**



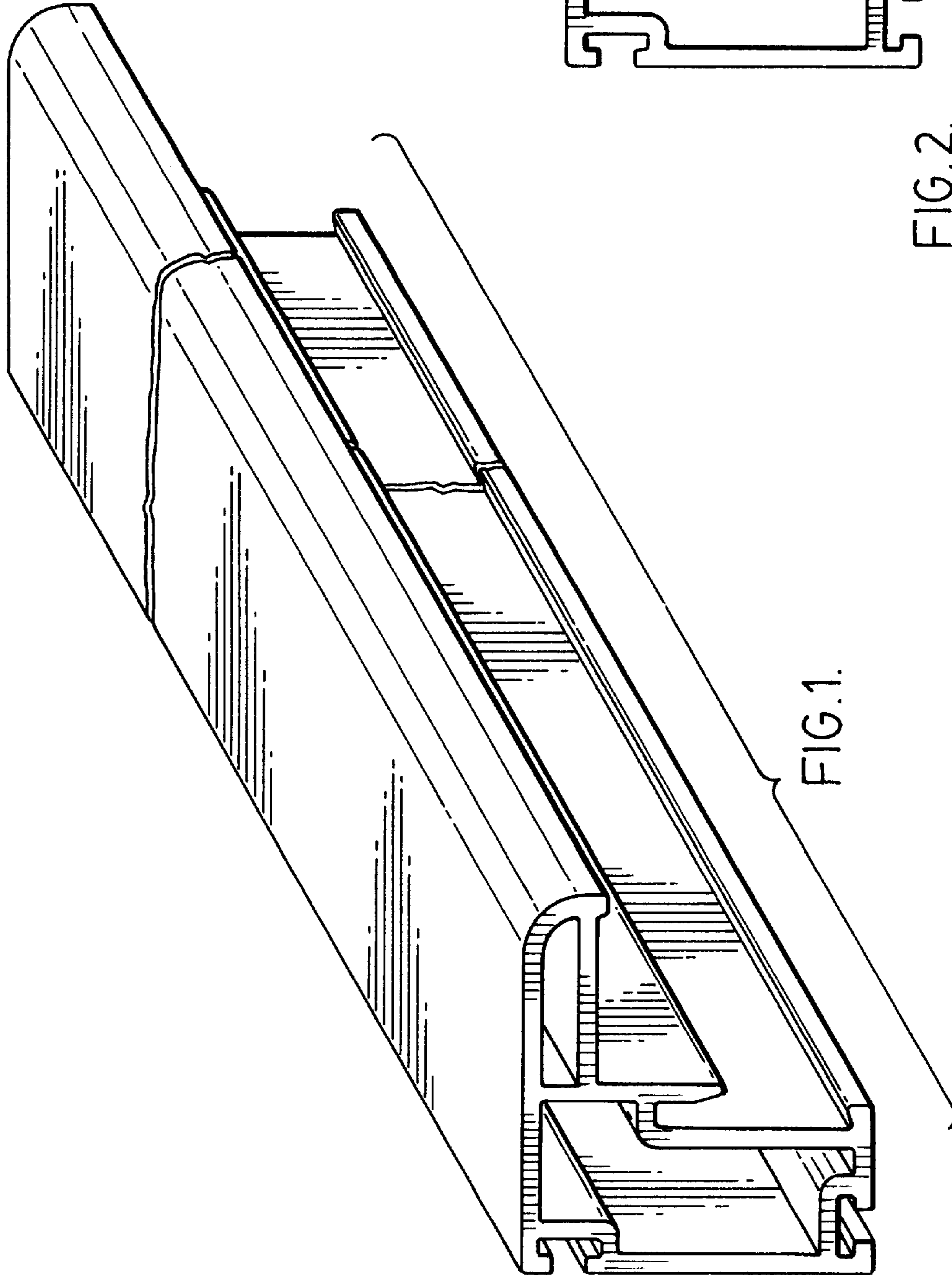


FIG.1.

FIG.2.