



US00D453843S

(12) **United States Design Patent**
Scalzott

(10) **Patent No.:** **US D453,843 S**

(45) **Date of Patent:** **** Feb. 19, 2002**

(54) **SILL EXTRUSION**

D381,088 S * 7/1997 DiGiorgio D25/124

(75) **Inventor:** **Charles Ronald Scalzott**, New Kensington, PA (US)

* cited by examiner

(73) **Assignee:** **Custom Window Extrusions, Inc.**, Delmont, PA (US)

Primary Examiner—Doris Clark
(74) *Attorney, Agent, or Firm*—Cook, Alex, McFarron, Manzo, Cummings & Mehler, Ltd.

(**) **Term:** **14 Years**

(21) **Appl. No.:** **29/140,678**

(22) **Filed:** **Apr. 23, 2001**

(51) **LOC (7) Cl.** **25-01**

(52) **U.S. Cl.** **D25/124**

(58) **Field of Search** D25/124, 119, D25/52, 60; 52/730.3, 656.6, 204.5, 204.56, 204.51, 730, 205.1, 202; 49/501, 504, DIG. 2, 404, 413, 419, 407, 408

(56) **References Cited**

U.S. PATENT DOCUMENTS

4,219,971 A * 9/1980 Mauroner 49/504

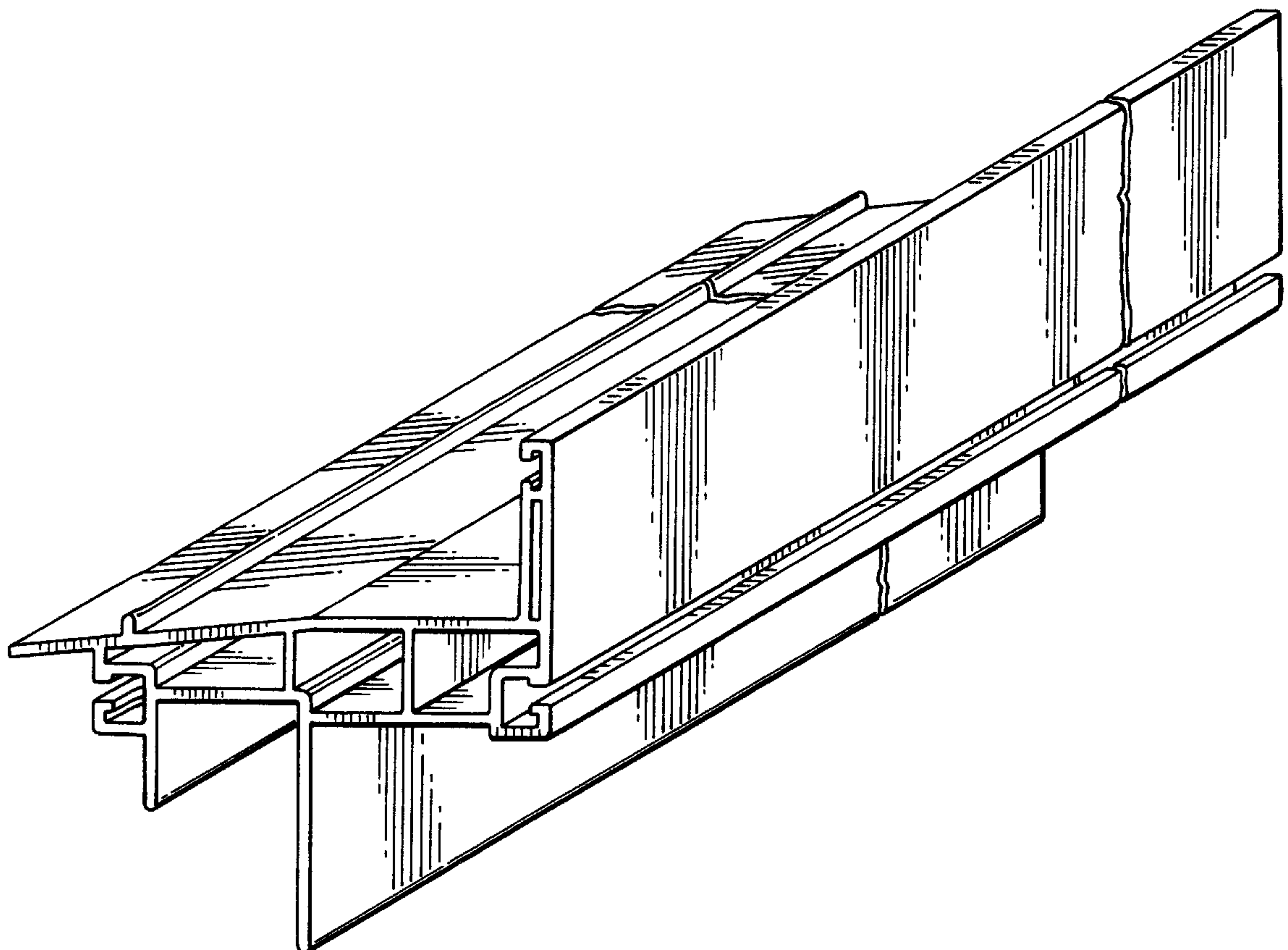
(57) **CLAIM**

An ornamental design for a sill extrusion, as shown and described.

DESCRIPTION

FIG. 1 is a perspective view of the sill extrusion showing my new design the sill extrusion being of indefinite length; and, FIG. 2 is an end elevational view of the sill extrusion of FIG. 1.

1 Claim, 1 Drawing Sheet



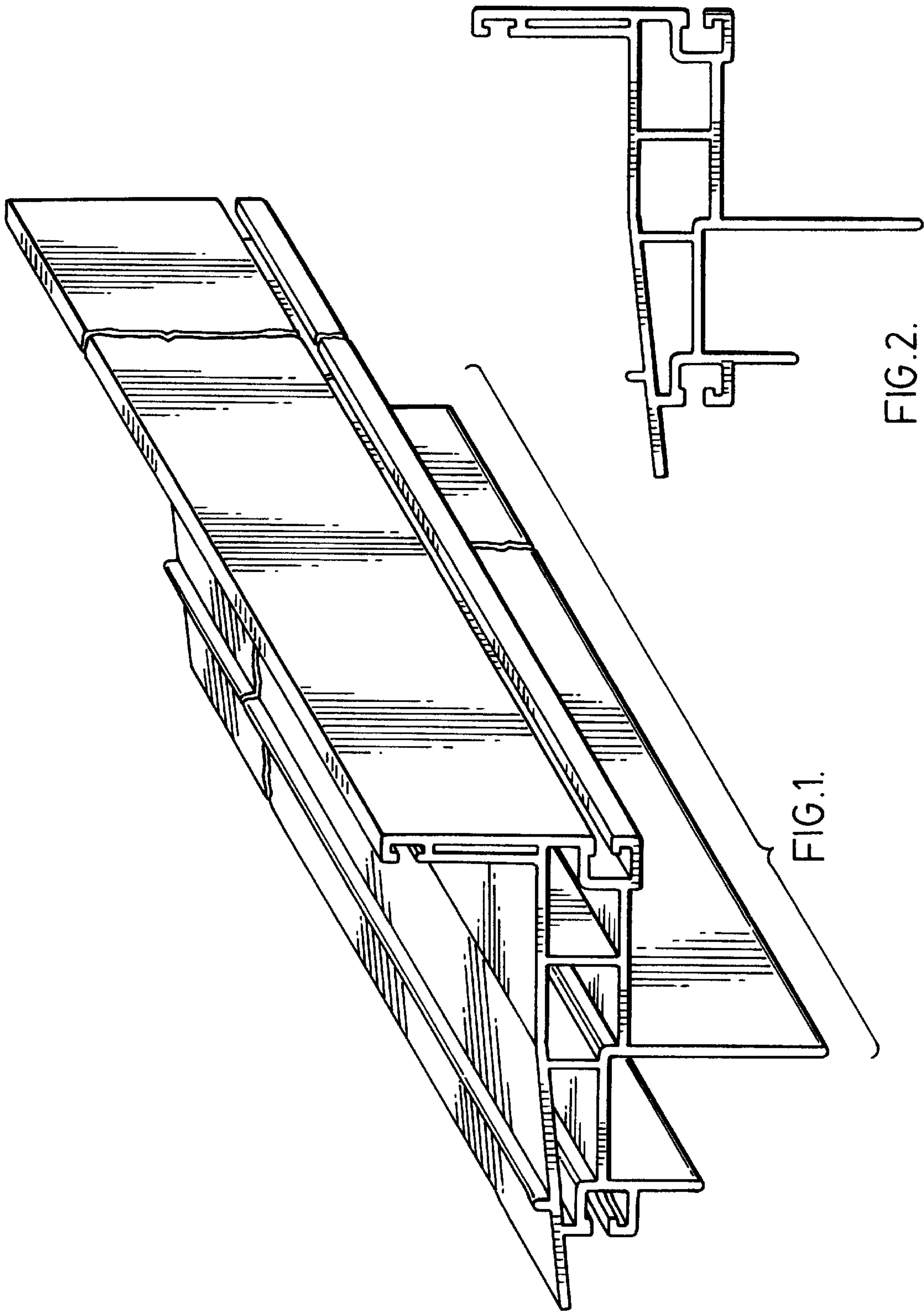


FIG.1.

FIG.2.