



US00D453842S

(12) **United States Design Patent**
Scalzott

(10) **Patent No.:** **US D453,842 S**

(45) **Date of Patent:** **** Feb. 19, 2002**

(54) **HEADER EXTRUSION**

(75) **Inventor:** **Charles Ronald Scalzott**, New Kensington, PA (US)

(73) **Assignee:** **Custom Window Extrusions, Inc.**, Delmont, PA (US)

(**) **Term:** **14 Years**

(21) **Appl. No.:** **29/140,676**

(22) **Filed:** **Apr. 23, 2001**

(51) **LOC (7) Cl.** **25-01**

(52) **U.S. Cl.** **D25/124**

(58) **Field of Search** D25/124, 119, D25/52, 60; 52/730.3, 656.6, 204.5, 204.56, 204.51, 730, 205.1, 202; 49/501, 504, DIG. 2, 404, 413, 419, 407, 408

(56) **References Cited**

U.S. PATENT DOCUMENTS

D374,092 S * 9/1996 Hart D25/124

* cited by examiner

Primary Examiner—Doris Clark

(74) *Attorney, Agent, or Firm*—Cook, Alex, McFarron, Manzo, Cummings & Mehler, Ltd.

(57) **CLAIM**

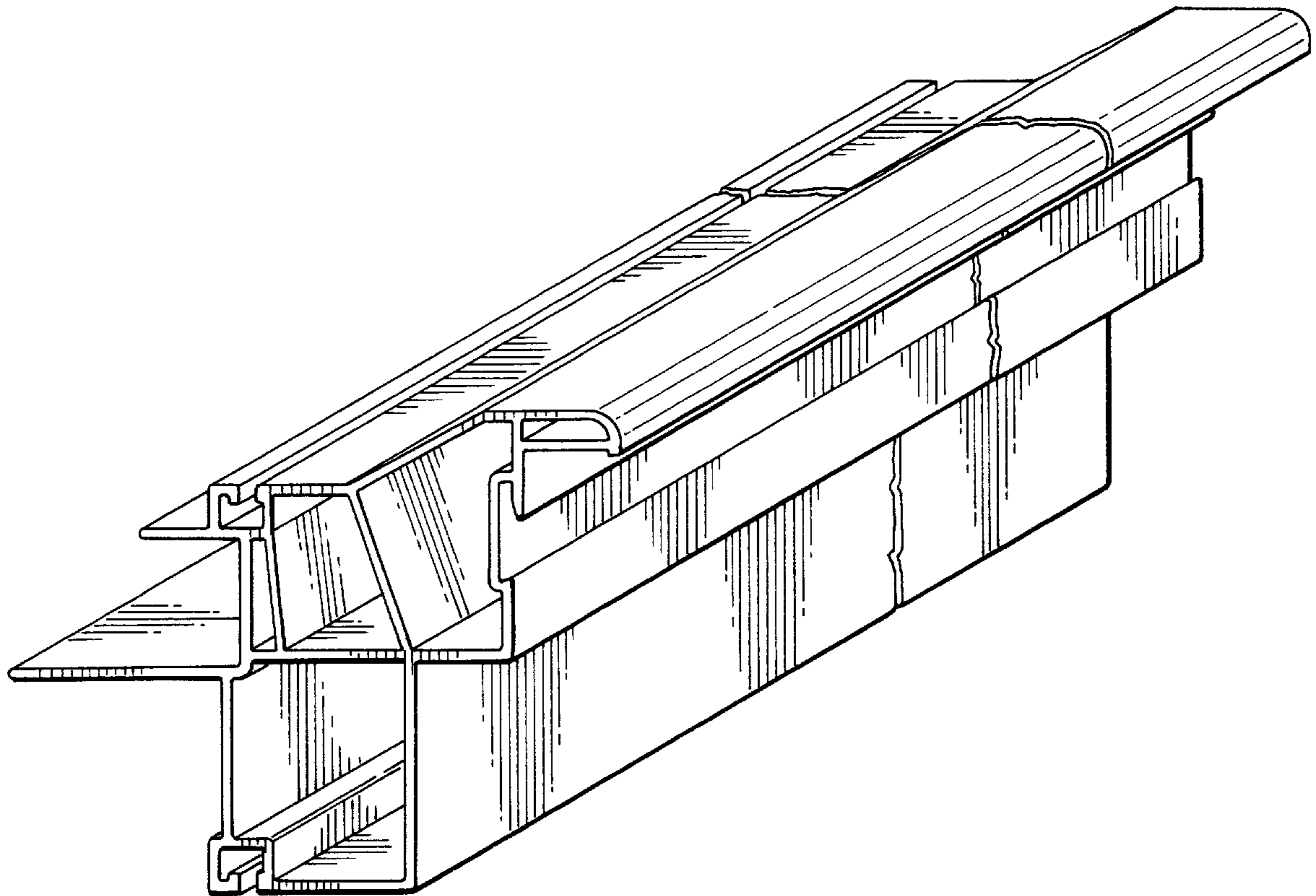
An ornamental design for a header extrusion, as shown and described.

DESCRIPTION

FIG. 1 is a perspective of the header extrusion showing my new design the header extrusion being of indefinite length; and,

FIG. 2 is an end elevational view of the header extrusion of FIG. 1.

1 Claim, 1 Drawing Sheet



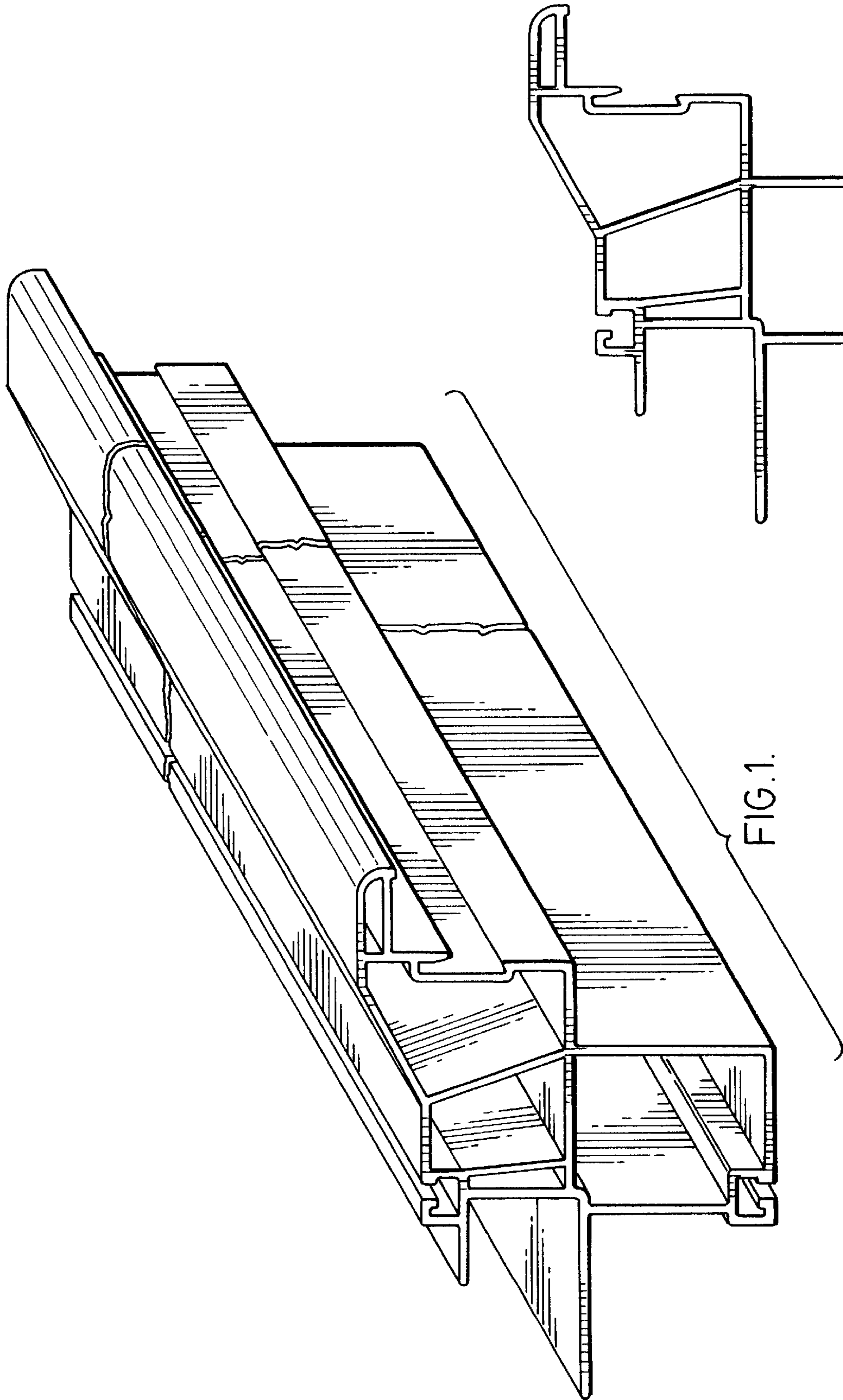


FIG.1.

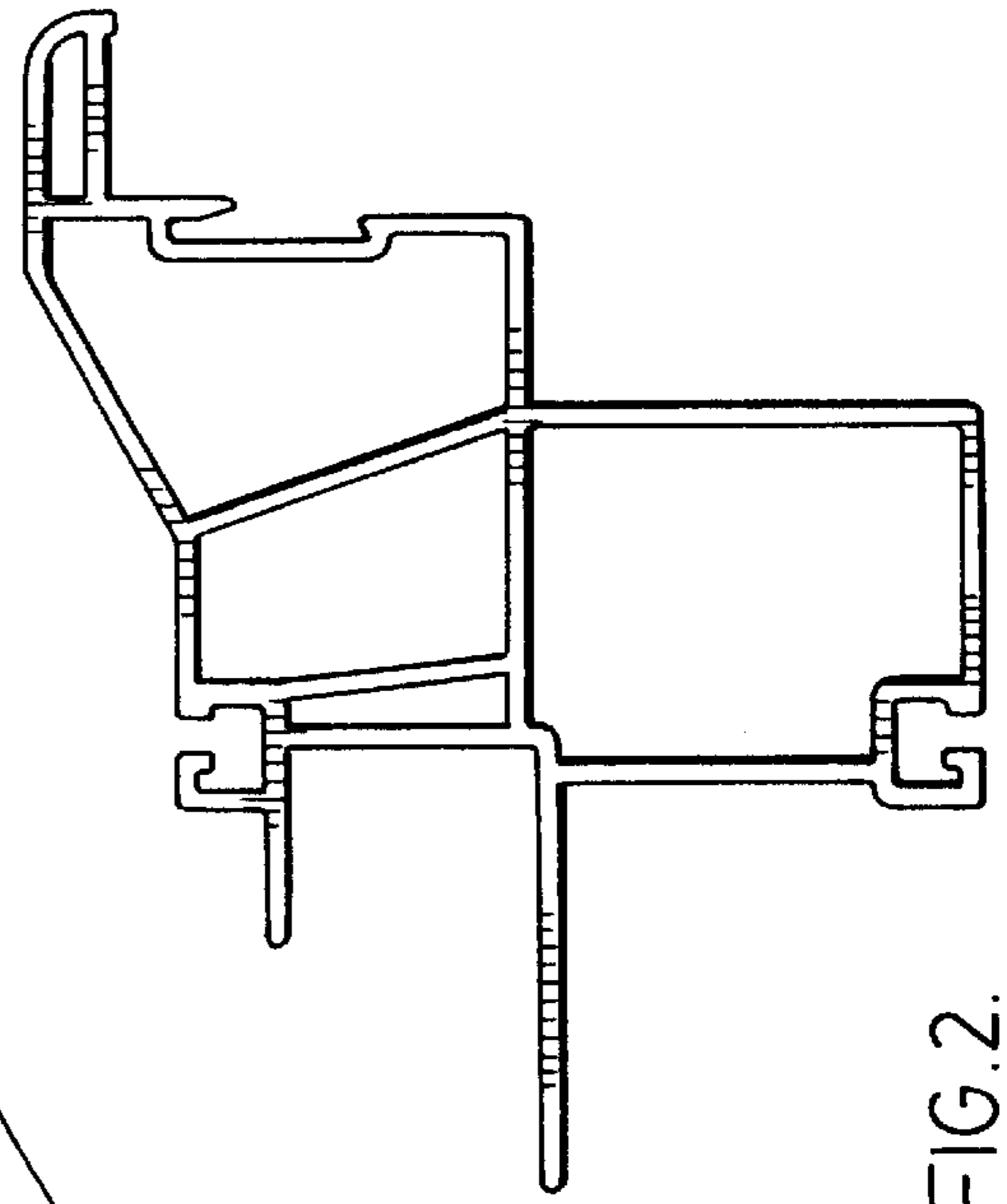


FIG.2.