



US00D453841S

(12) **United States Design Patent**  
**Hauberg et al.**

(10) **Patent No.: US D453,841 S**

(45) **Date of Patent: \*\* \*Feb. 19, 2002**

(54) **WINDOW FRAME EXTRUSION**

(75) Inventors: **Jonathan C. Hauberg**, Beavercreek;  
**Philip G. Morton**, Germantown; **Ricky Hoskins**, Franklin, all of OH (US)

(73) Assignee: **Dayton Technologies, L.L.C.**, Monroe, OH (US)

(\* ) Notice: This patent is subject to a terminal disclaimer.

(\*\*) Term: **14 Years**

(21) Appl. No.: **29/122,754**

(22) Filed: **May 2, 2000**

(51) **LOC (7) Cl.** ..... **25-01**

(52) **U.S. Cl.** ..... **D25/124**

(58) **Field of Search** ..... D25/52, 60, 119-125;  
49/DIG. 2, 504, 505, 404, 413, 419, 407-408;  
52/204.56, 204.51, 230.3, 205.1, 202, 730.5,  
731, 732, 738, 204.5

(56) **References Cited**

**U.S. PATENT DOCUMENTS**

D391,649 S \* 3/1998 Opielski et al. .... D25/124

D394,717 S \* 5/1998 Daoust ..... D25/124

\* cited by examiner

*Primary Examiner*—Doris Clark

(74) *Attorney, Agent, or Firm*—Jacox, Meckstroth & Jenkins

(57) **CLAIM**

The ornamental design of a window frame extrusion, as shown and described.

**DESCRIPTION**

FIG. 1 is a front perspective view of a window frame extrusion, showing our new design, with a middle portion broken away to disclose indefinite length; and,

FIG. 2 is an end view thereof, the opposite end view being a mirror image.

**1 Claim, 1 Drawing Sheet**

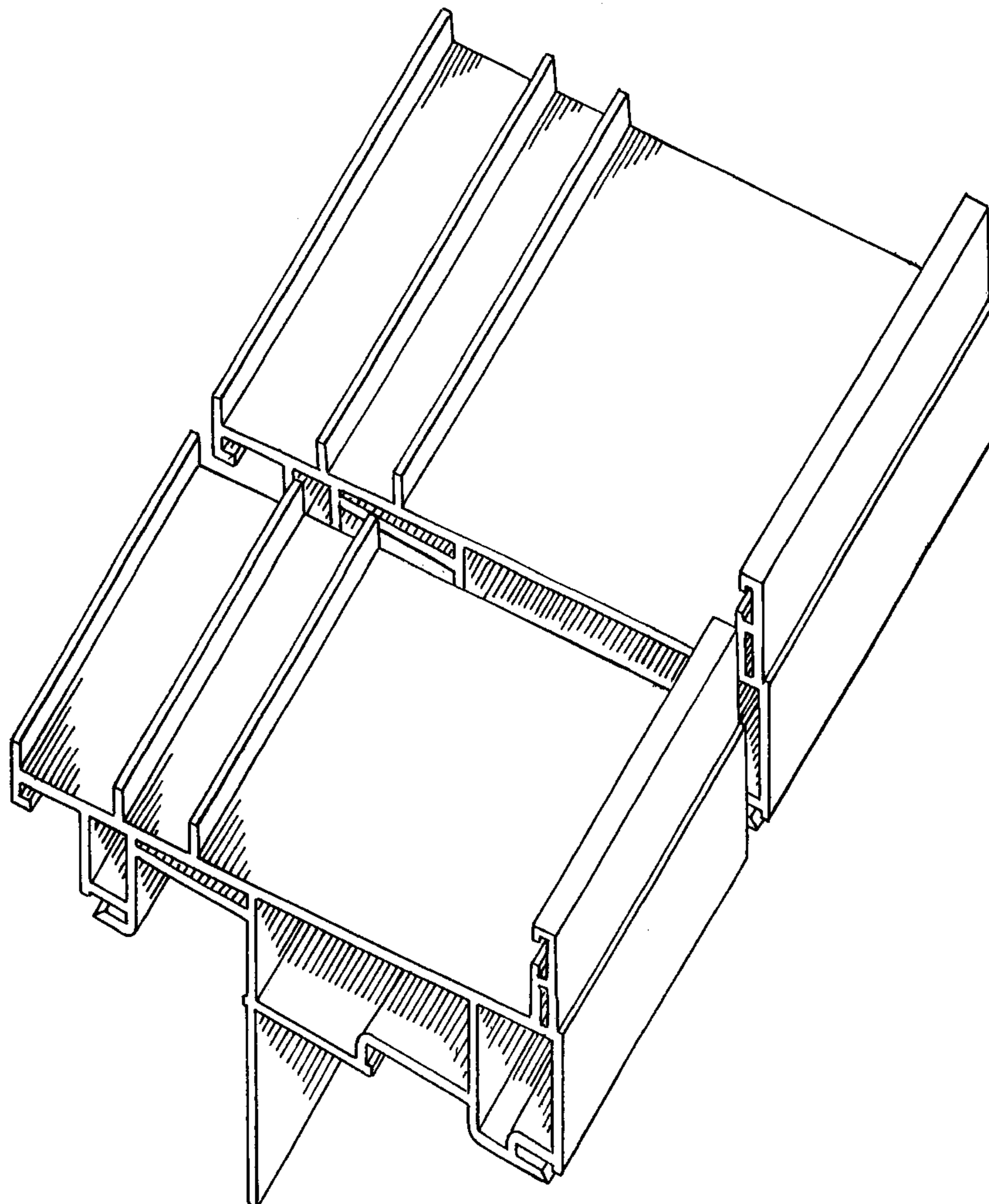


FIG-1

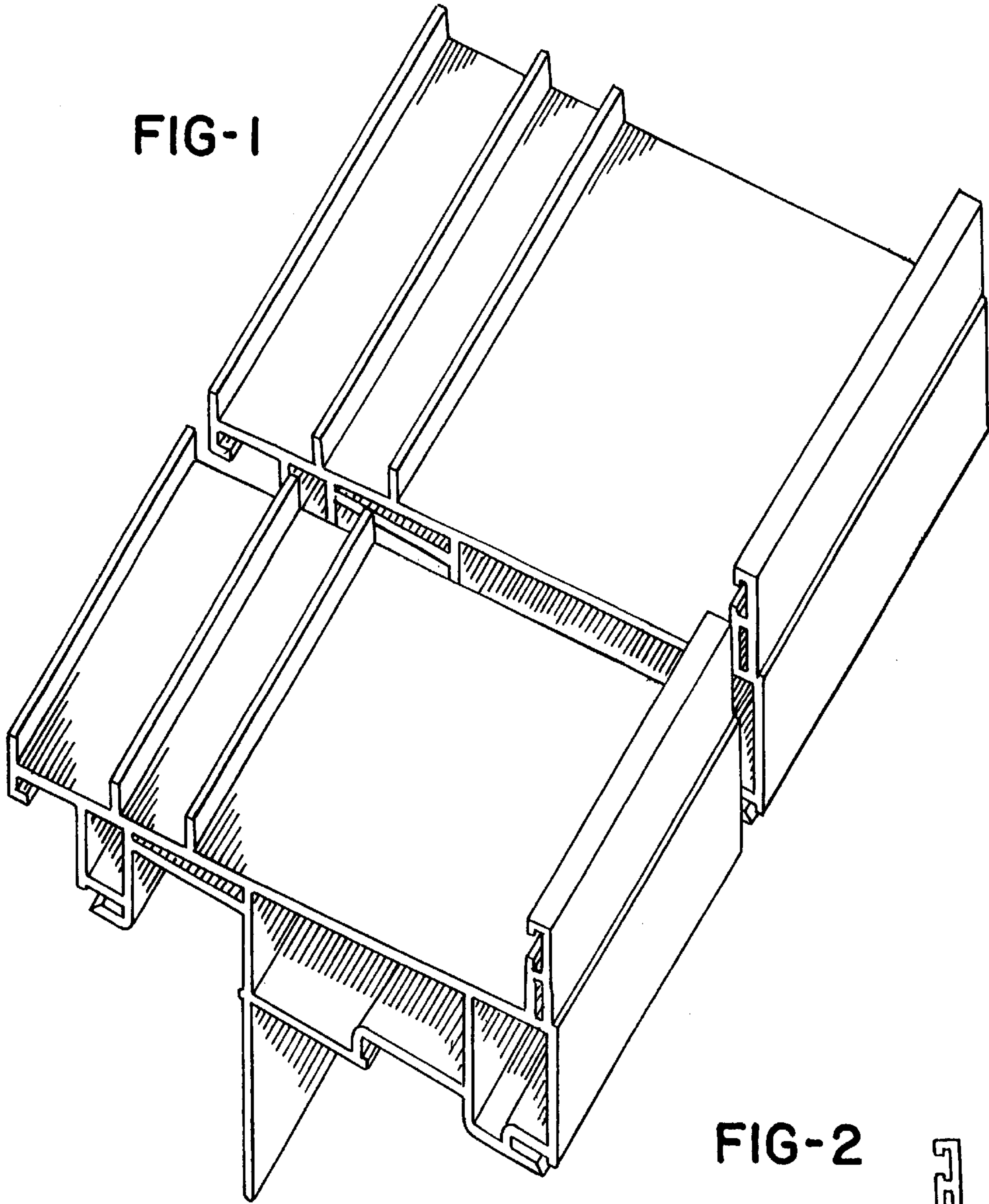


FIG-2

