



US00D453839S

(12) **United States Design Patent**
Rho

(10) **Patent No.:** **US D453,839 S**

(45) **Date of Patent:** **** Feb. 19, 2002**

(54) **PORTABLE POOL**

(75) Inventor: **Sung Ku Rho**, Kyungki-do (KR)

(73) Assignee: **Portable Pools Inc.**, Chungbuk (KR)

(**) Term: **14 Years**

(21) Appl. No.: **29/143,771**

(22) Filed: **Jun. 21, 2001**

(30) **Foreign Application Priority Data**

Feb. 2, 2001 (KR) 01-2266

(51) **LOC (7) Cl.** **25-03**

(52) **U.S. Cl.** **D25/2**

(58) **Field of Search** D25/2; 4/488,
4/506

(56) **References Cited**

U.S. PATENT DOCUMENTS

D334,238 S * 3/1993 Spedini D25/2

5,884,347 A * 3/1999 Yurchision et al. 4/488

* cited by examiner

Primary Examiner—Doris Clark

(74) *Attorney, Agent, or Firm*—Birch, Stewart, Kolasch & Birch, LLP

(57) **CLAIM**

The ornamental design for a portable pool, as shown and described.

DESCRIPTION

FIG. 1 is a perspective view of the portable pool showing the new design;

FIG. 2 is a front view of the portable pool;

FIG. 3 is a rear view of the portable pool;

FIG. 4 is a left side view of the portable pool;

FIG. 5 is a right side view of the portable pool;

FIG. 6 is a top plan view of the portable pool;

FIG. 7 is a bottom view of the portable pool; and,

FIG. 8 is a detail of the lateral support elements for the portable pool.

1 Claim, 6 Drawing Sheets

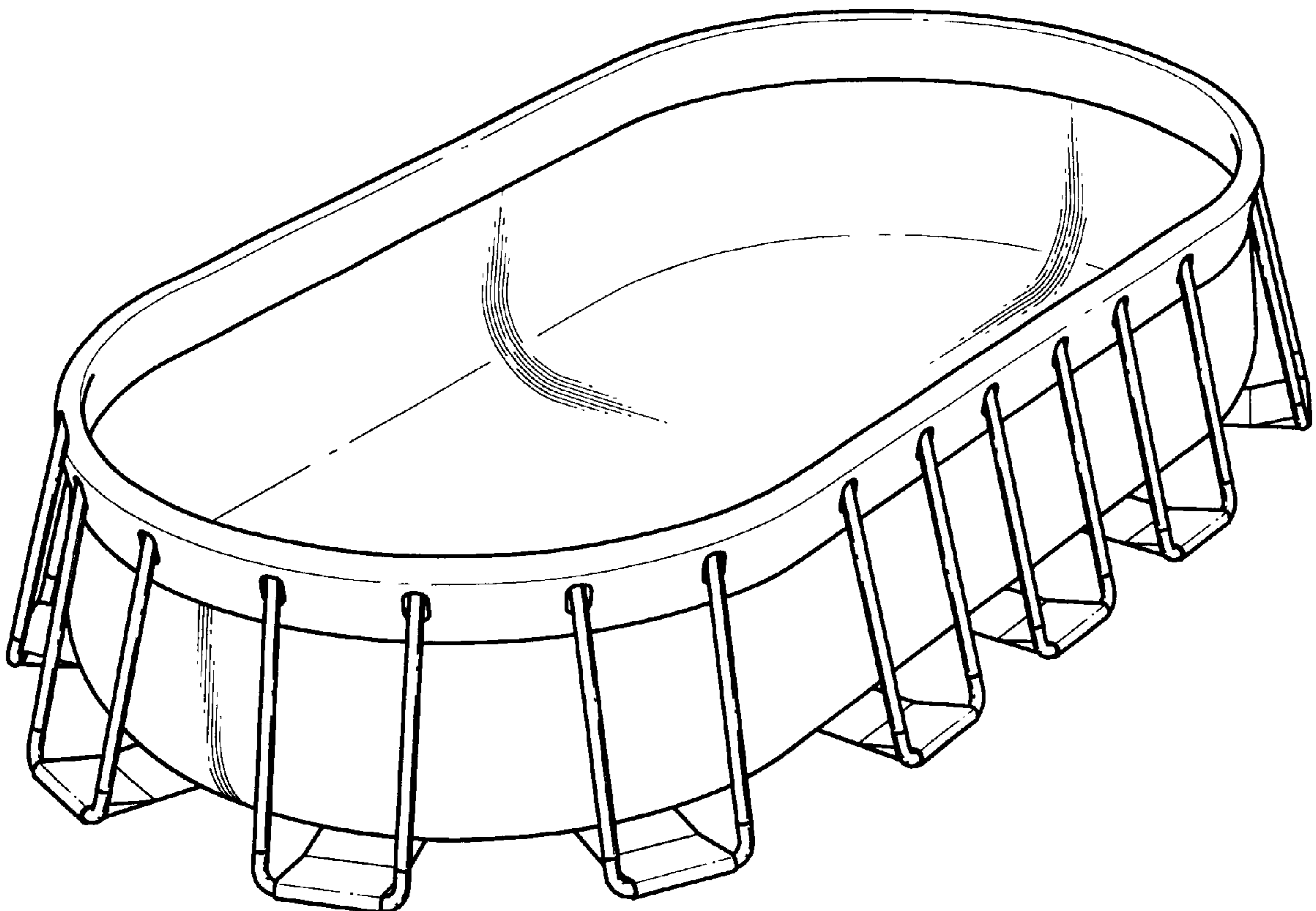


FIG. 1

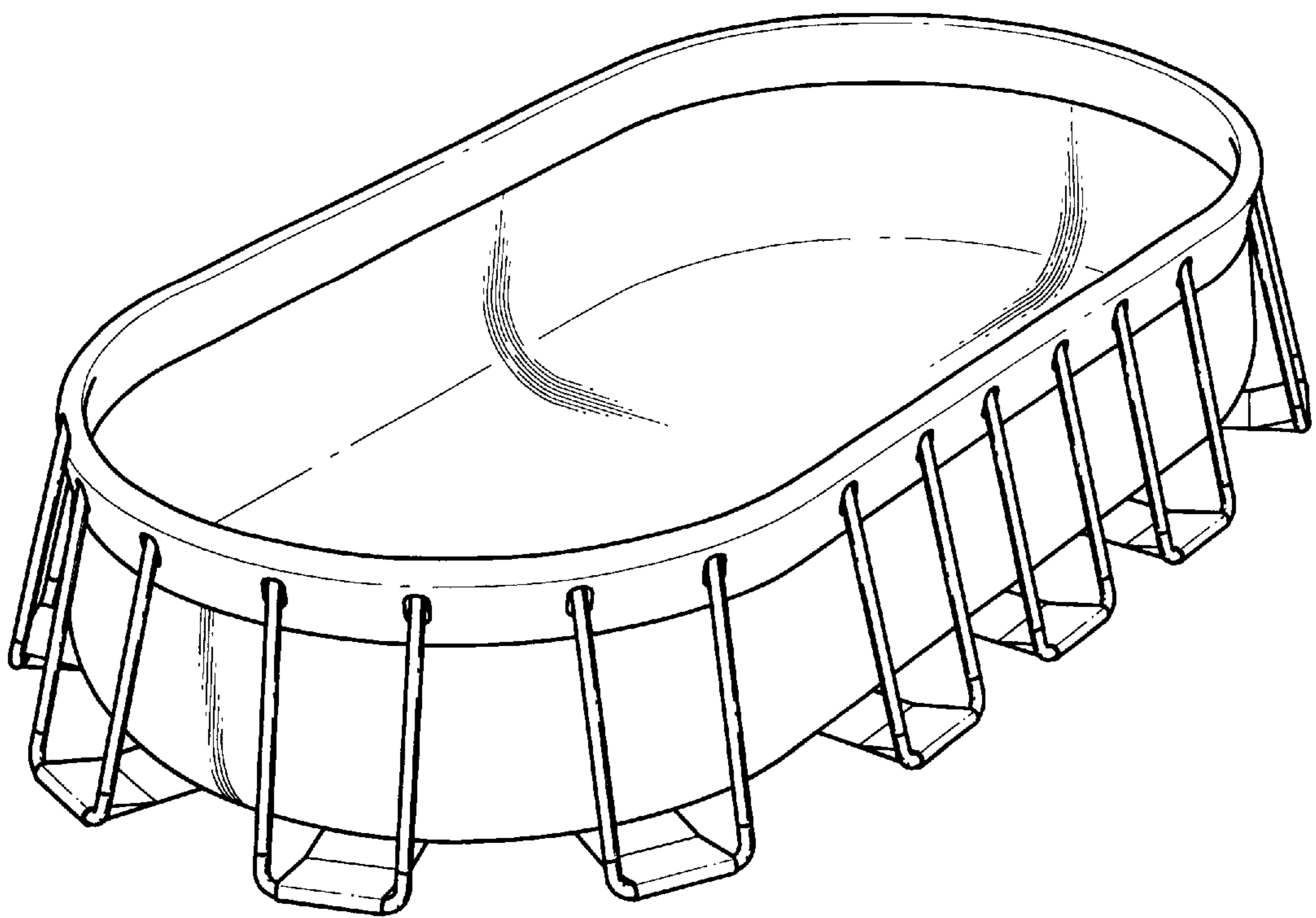


FIG. 2

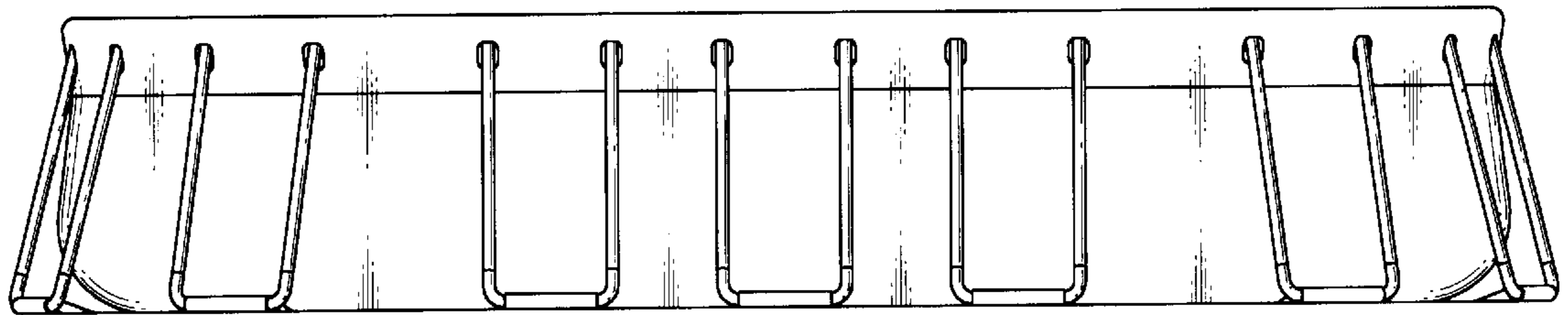


FIG. 3

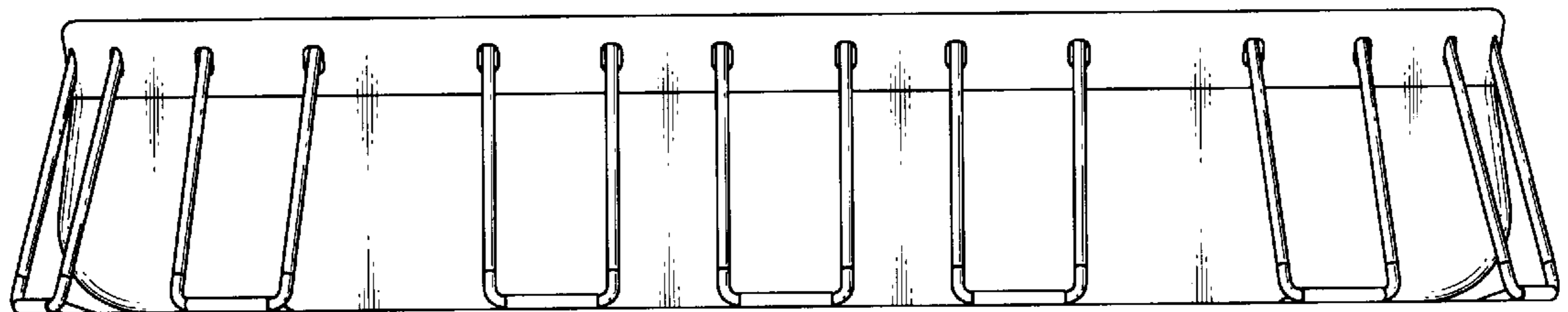


FIG. 4

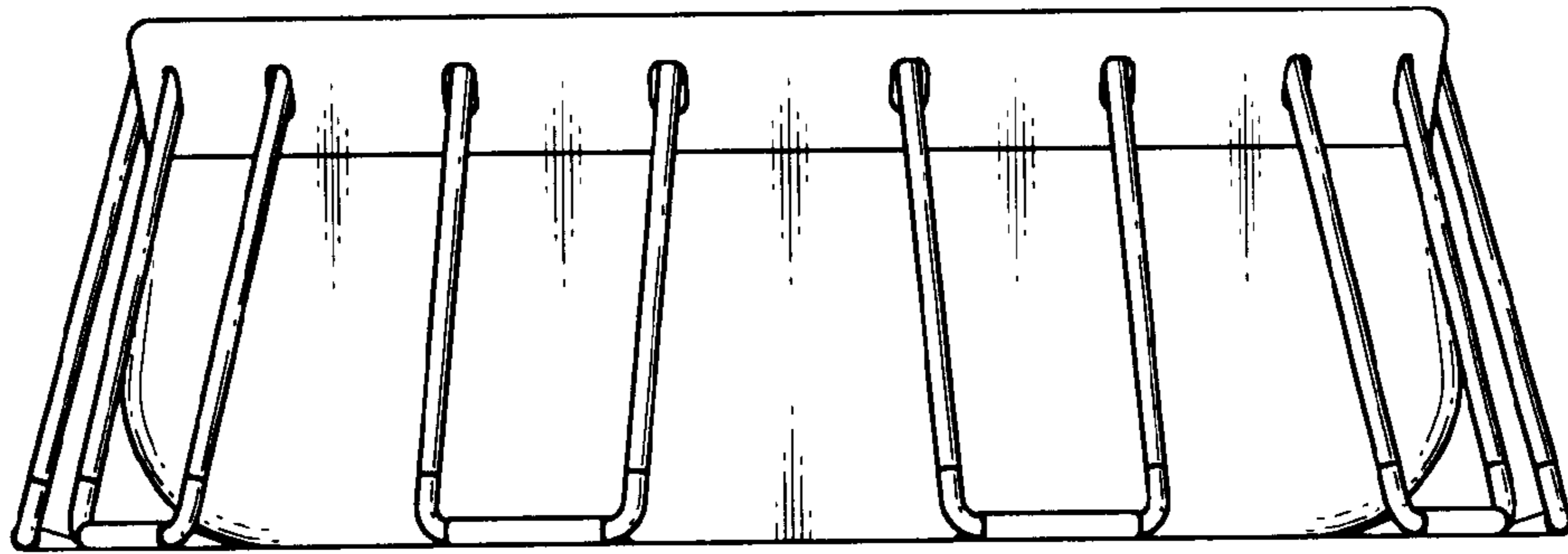


FIG. 5

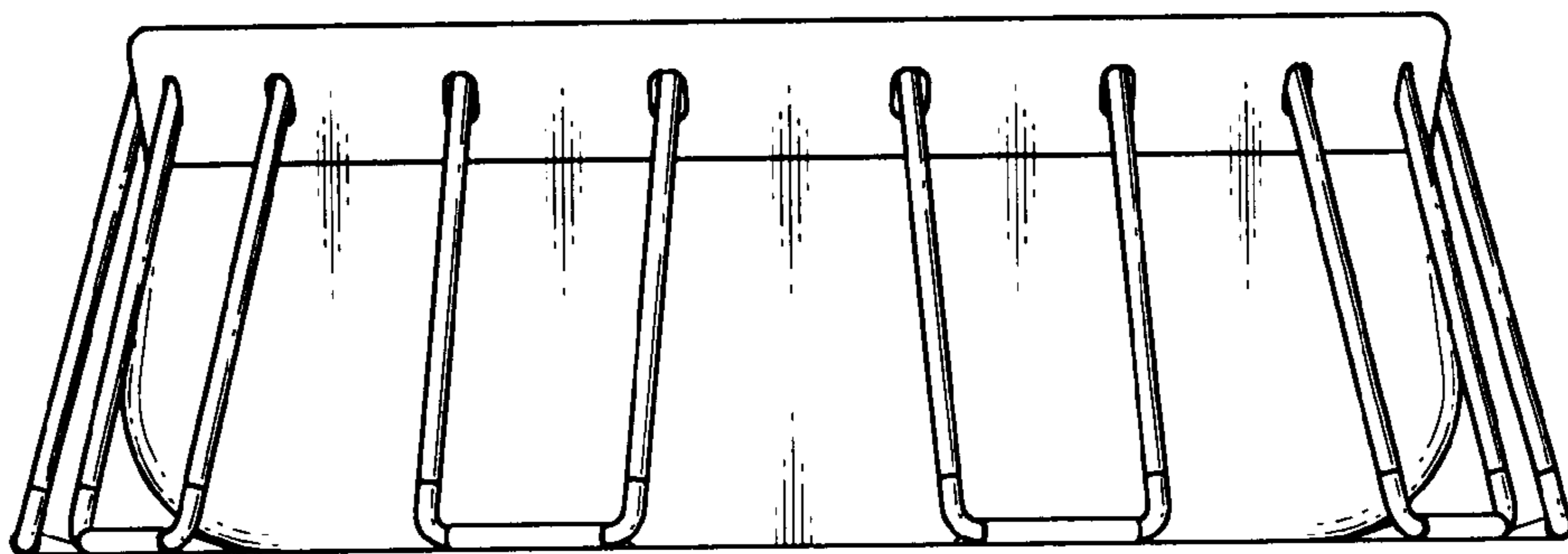


FIG. 6

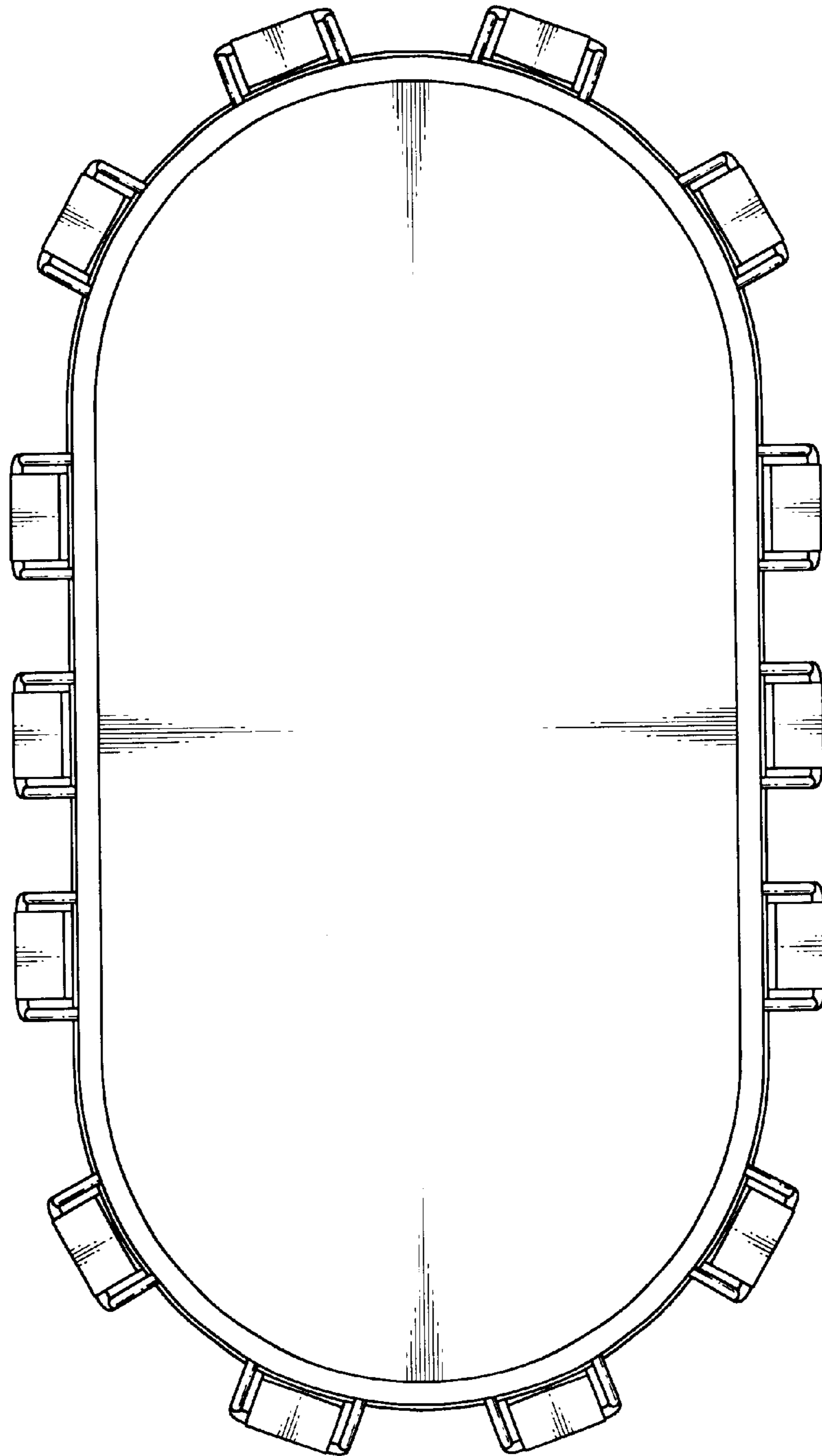


FIG. 7

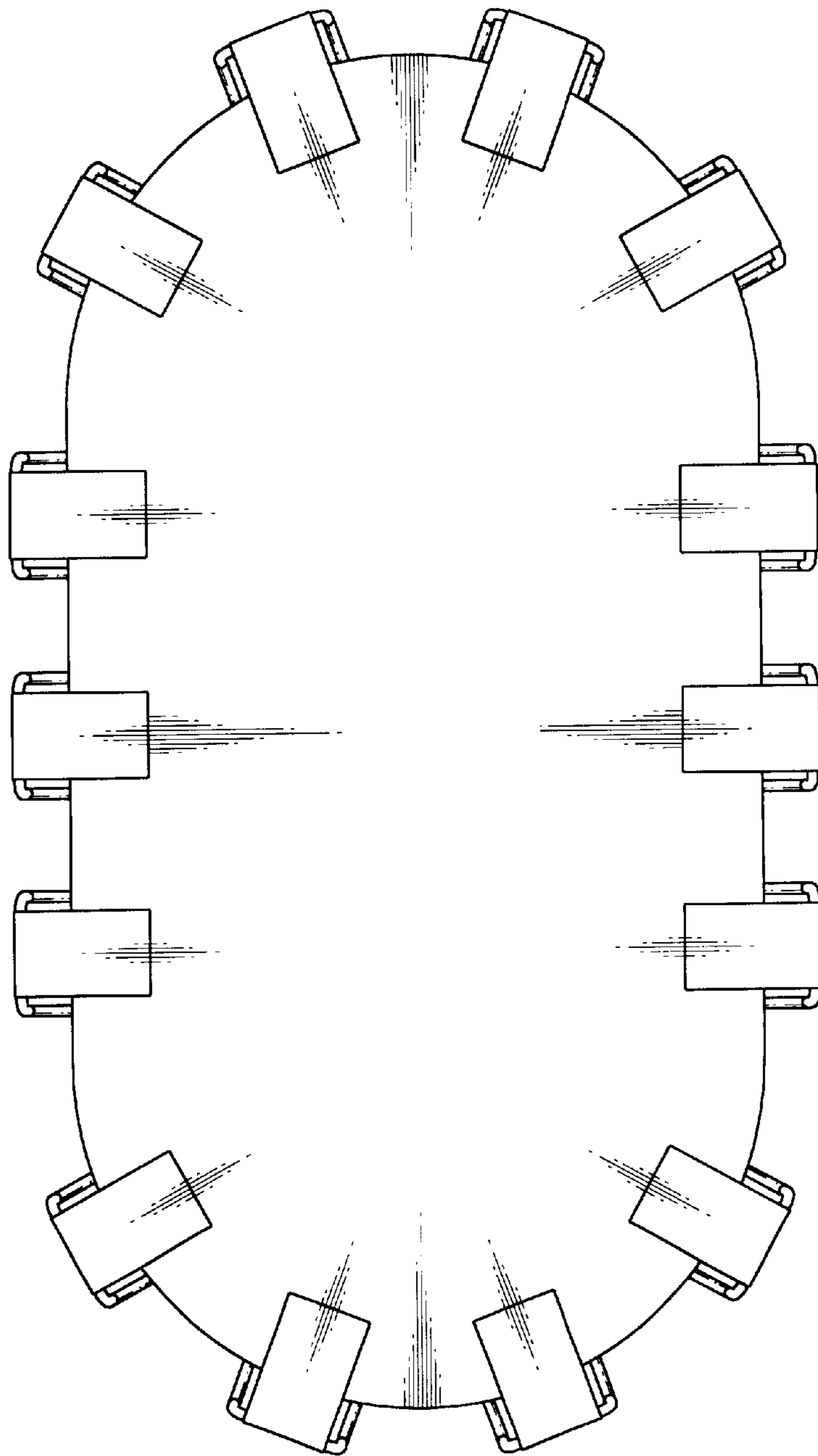


FIG. 8

