



US00D453836S

(12) **United States Design Patent**  
**Gillette et al.**

(10) **Patent No.:** **US D453,836 S**

(45) **Date of Patent:** **\*\* Feb. 19, 2002**

(54) **FOOT SPA**

(75) Inventors: **William J. Gillette**, Fort Collins, CO (US); **Deborah A. Laun**, Syracuse; **Howard Scott Ryan**, Skaneateles, both of NY (US)

(73) Assignee: **Water Pik, Inc.**, Fort Collins, CO (US)

(\*\*) Term: **14 Years**

(21) Appl. No.: **29/134,015**

(22) Filed: **Dec. 12, 2000**

(51) **LOC (7) Cl.** ..... **28-03**

(52) **U.S. Cl.** ..... **D24/213**

(58) **Field of Search** ..... D24/200, 212, D24/213; 601/15, 64, 6, 157, 158

(56) **References Cited**

**U.S. PATENT DOCUMENTS**

4,620,529 A	*	11/1986	Kurosawa	.....	601/157
D330,426 S	*	10/1992	Elkerbout	.....	D24/213
D363,555 S	*	10/1995	Lie	.....	D24/213
D364,466 S	*	11/1995	Assmann et al.	.....	D24/213
D390,963 S	*	2/1998	Scholpp	.....	D24/213
D405,535 S	*	2/1999	Schulz	.....	D24/213

**OTHER PUBLICATIONS**

- Conair Personal Care Wet/Dry Foot Massagers, Model No. FB10RR; published on or before May 1, 2001.
- Conair Personal Care Wet/Dry Foot Massagers, Model No. FB7; published on or before May 1, 2001.
- Conair Personal Care Wet/Dry Foot Massagers, Model No. FB11R; published on or before May 1, 2001.
- Conair Personal Care Wet/Dry Foot Massagers, Model No. FB12R; published on or before May 1, 2001.
- Conair Body Benefits Massaging Foot Spa, Model No. FB-10; published on or before May 1, 2001.
- Conair Deluxe Massaging Foot Spa, Model No. FB-11; published on or before May 1, 2001.
- Conair Massaging Foot Bath, Model No. FB-12; published on or before May 17, 2001.

Conair Deluxe Foot Spa, Model No. FB-11L; published on or before May 1, 2001.

Homedics Sole Therapy, Model No. ST-1; published on or before May 1, 2001.

Homedics Foot Salon, Model No. FS-1; published on or before May 1, 2001.

Homedics Bubble Bliss, Model No. BB-1; published on or before May 1, 2001.

Homedics Foot Expert, Model No. FE-1; published on or before May 1, 2001.

Homedics Foot Salon Ultra, Model No. FS-1HK; published on or before May 1, 2001.

Homedics Bubble Spa, Model No. BS-100; published on or before May 1, 2001.

Homedics Bubble Spa Ultra, Model No. BS-100H; published on or before May 1, 2001.

Homedics Ultra Spa, Model No. US-2H; published on or before May 1, 2001.

Homedics Salon Spa, Model No. BMP-1000; published on or before May 1, 2001.

(List continued on next page.)

*Primary Examiner*—Stella Reid

(74) *Attorney, Agent, or Firm*—Dorsey & Whitney LLP

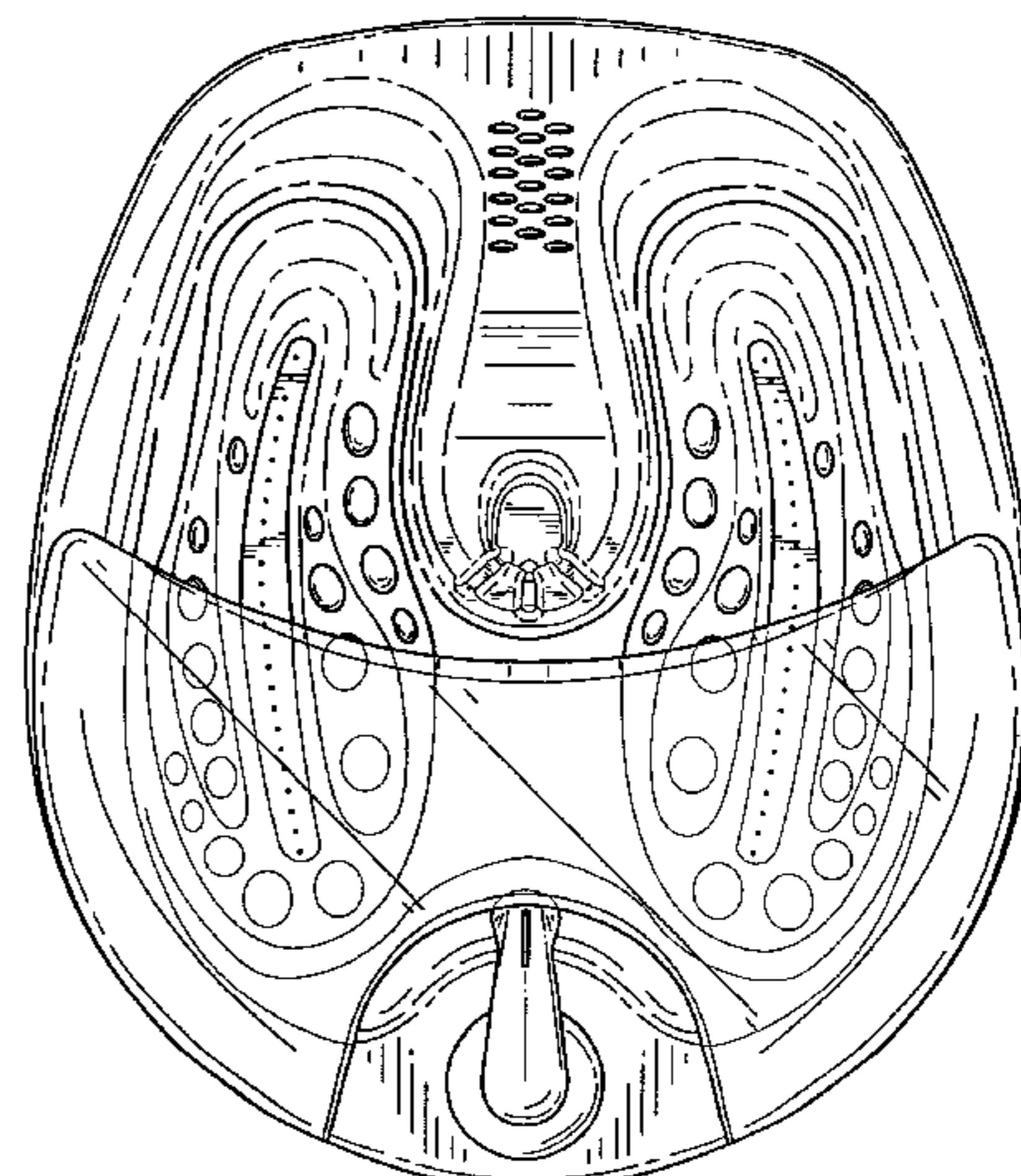
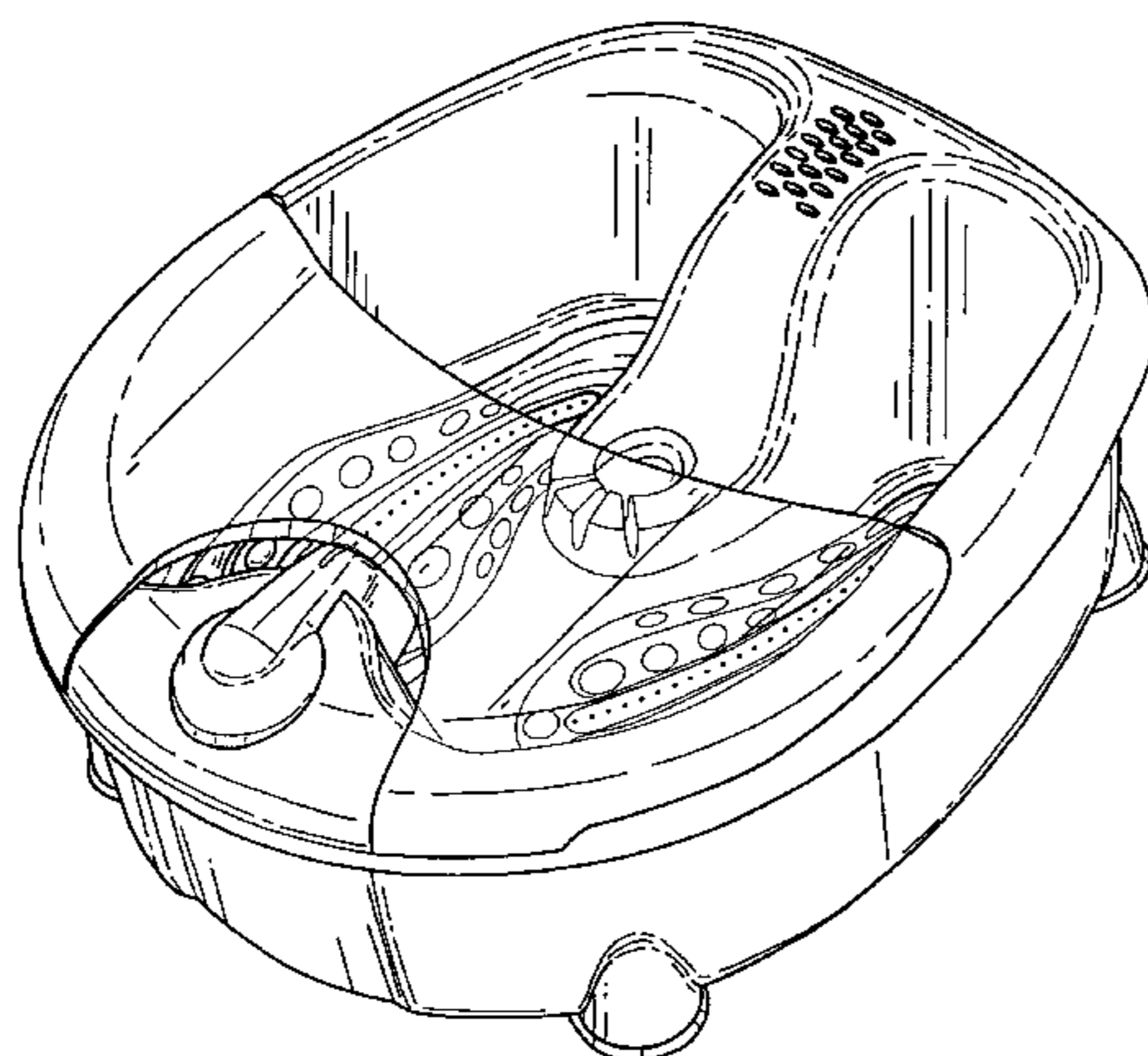
(57) **CLAIM**

The ornamental design for a foot spa, as shown and described.

**DESCRIPTION**

- FIG. 1 is a right side perspective view of a foot spa showing our new design;
- FIG. 2 is a front elevation view thereof;
- FIG. 3 is a rear elevation view thereof;
- FIG. 4 is right side elevation view thereof;
- FIG. 5 is a left side elevation view thereof;
- FIG. 6 is top plan view thereof; and,
- FIG. 7 is bottom plan view thereof.

**1 Claim, 5 Drawing Sheets**



**OTHER PUBLICATIONS**

Homedics Bubble Spa Luxury Foot Bubbler, Model No. BS-100P; published on or before May 1, 2001.

Homedics VibraSpa Luxury Foot Spa, Model No. VS-1H; published on or before May 1, 2001.

Dr. Scholl's Model No. 66011; published on or before May 1, 2001.

Dr. Scholl's Model No. 66511; published on or before May 1, 2001.

\* cited by examiner

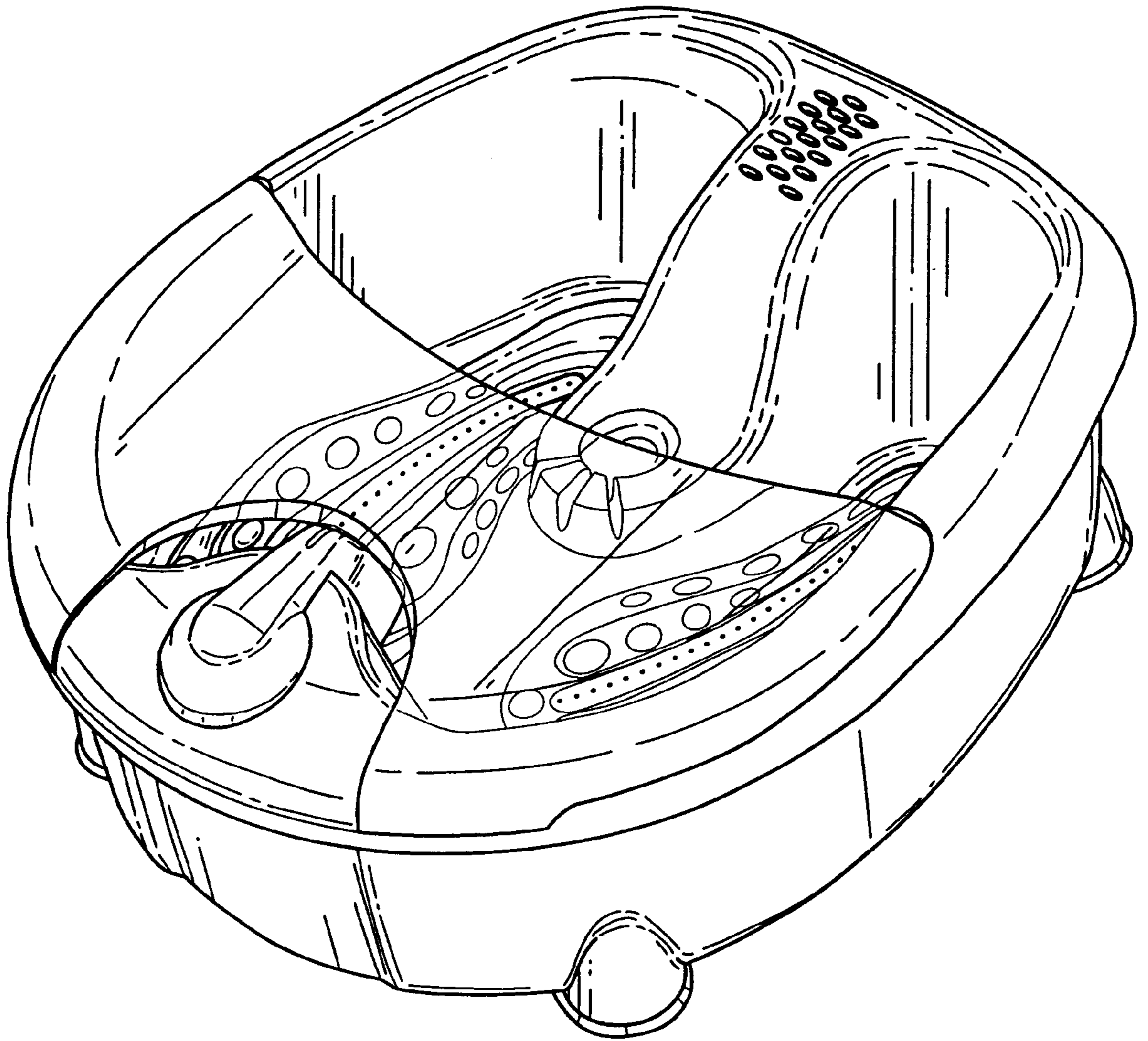


FIG. 1

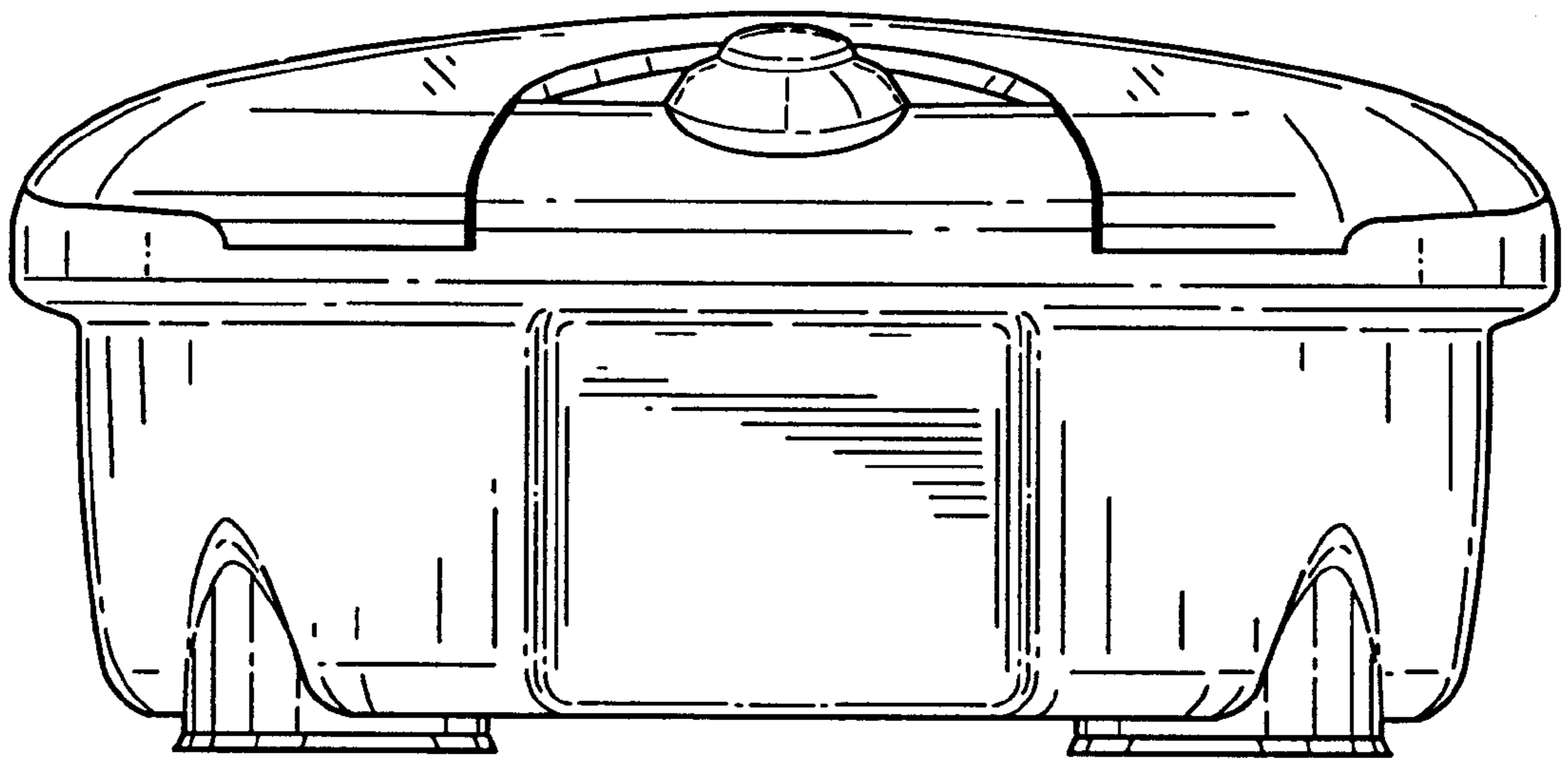


FIG. 2

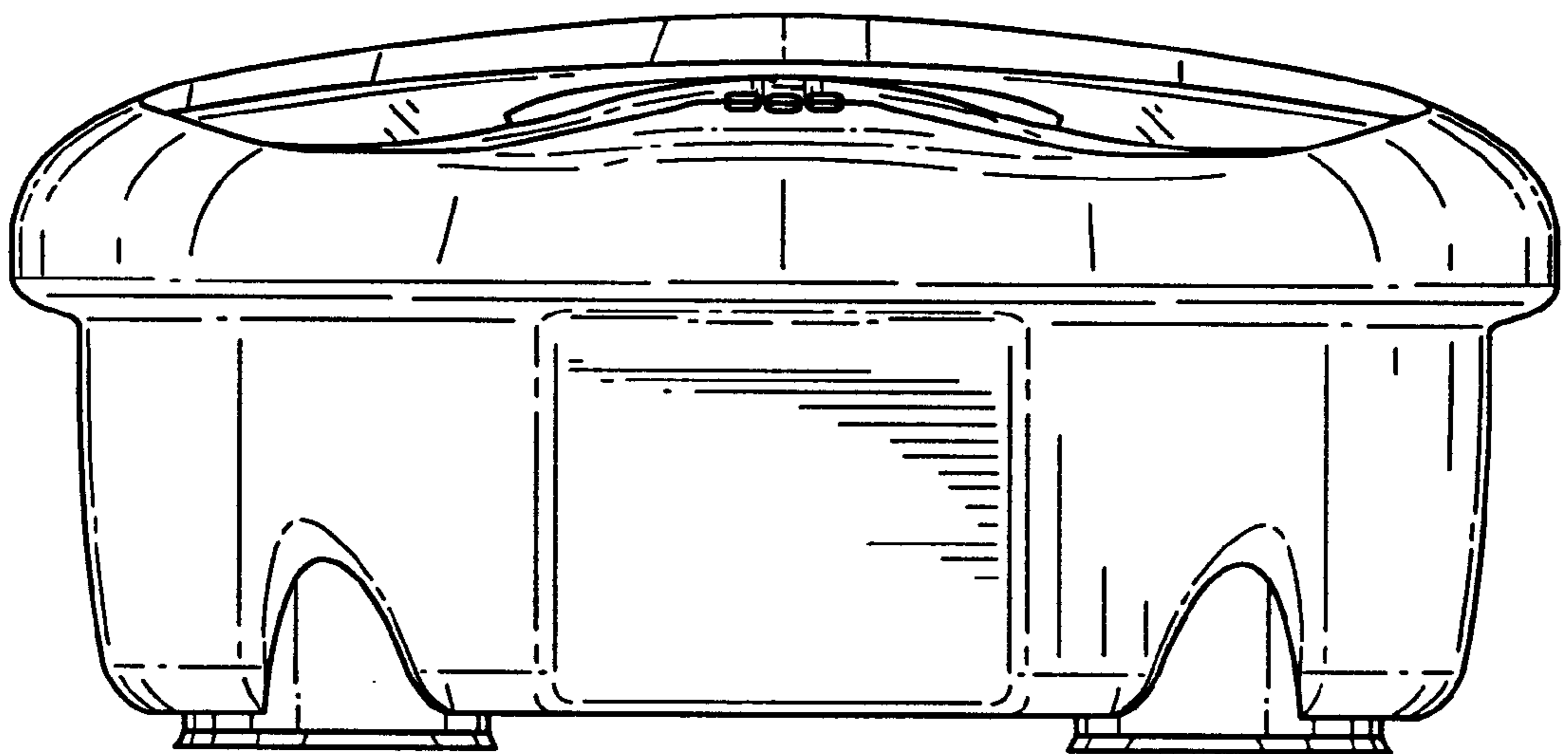


FIG. 3

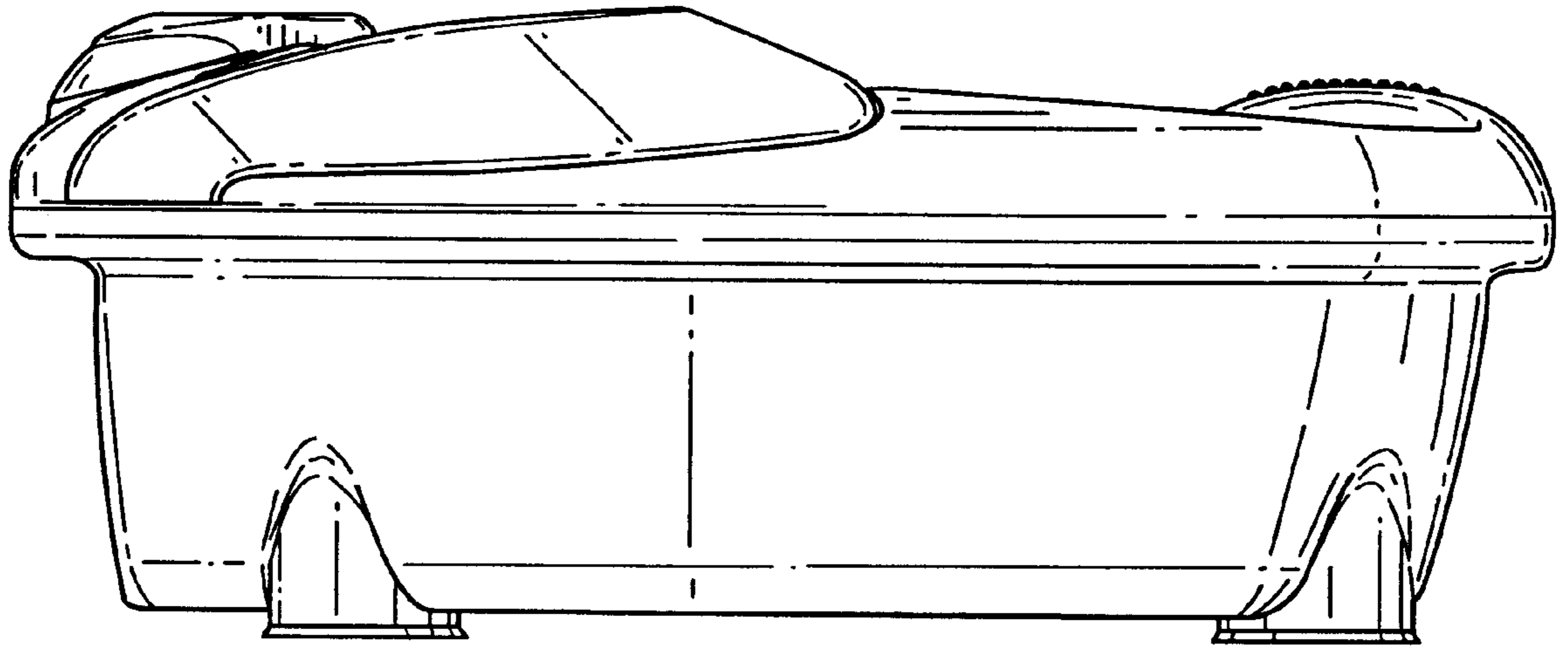


FIG. 4

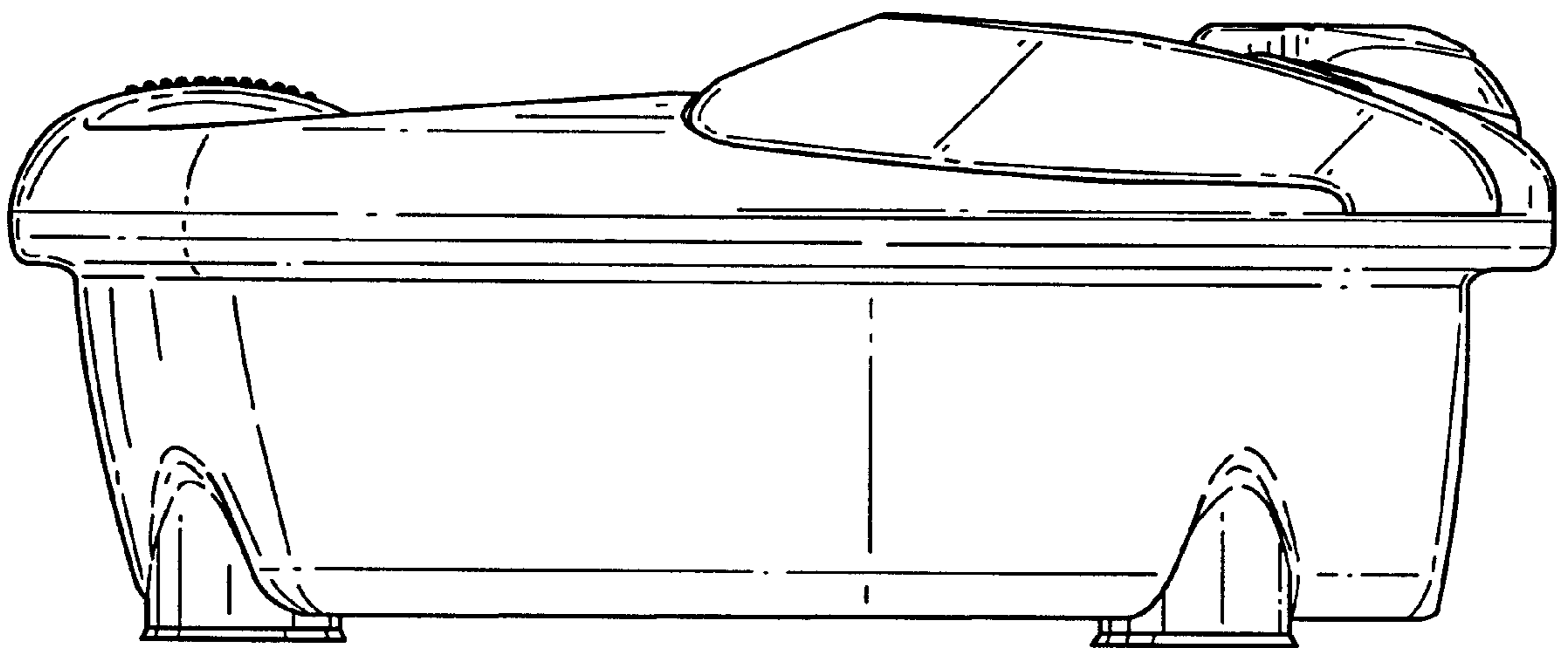


FIG. 5

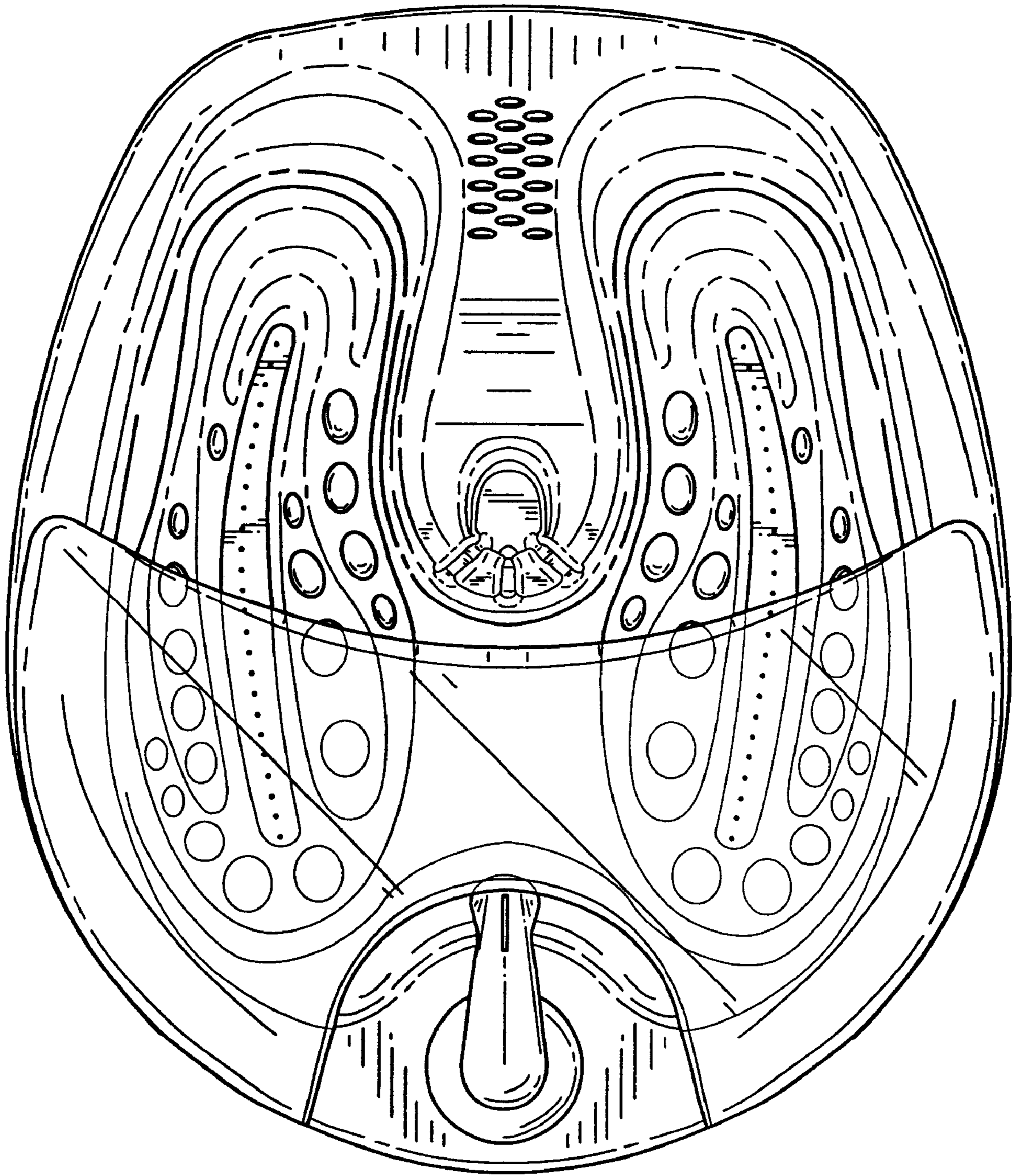


FIG.6

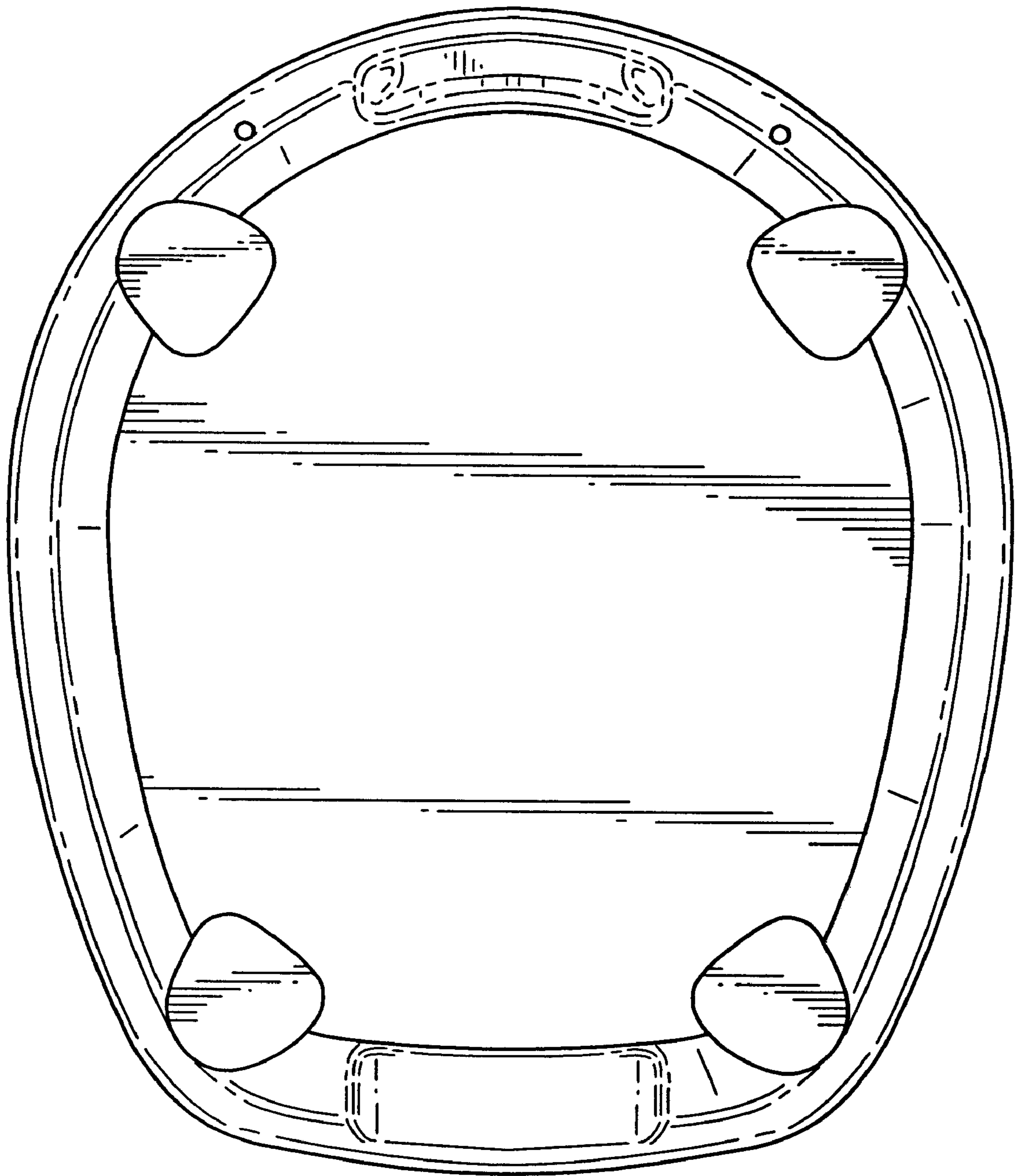


FIG.7