



US00D453835S

(12) **United States Design Patent**
Jacuzzi et al.

(10) **Patent No.:** **US D453,835 S**

(45) **Date of Patent:** **** Feb. 19, 2002**

(54) **WHIRLPOOL BATH**

(75) Inventors: **Roy A. Jacuzzi**, Orinda; **Garo J. Paroonagian**, Martinez, both of CA (US)

(73) Assignee: **Jacuzzi Whirlpool Bath**, Walnut Creek, CA (US)

(**) Term: **14 Years**

(21) Appl. No.: **29/140,459**

(22) Filed: **Apr. 17, 2001**

(51) **LOC (7) Cl.** **24-04**

(52) **U.S. Cl.** **D24/205; D24/204**

(58) **Field of Search** D24/201, 204,
D24/205; 4/538, 541.1, 541.2, 541.3, 541.4,
541.5, 541.6

(56) **References Cited**

U.S. PATENT DOCUMENTS

- D294,863 S * 3/1988 Kingsley D24/204
- D333,699 S * 3/1993 Jacuzzi et al. D23/280.1

- D395,075 S * 6/1998 Kolada D23/277
- D431,297 S * 9/2000 Larsen et al. D24/204
- D433,510 S * 11/2000 Jacuzzi D24/204
- D438,627 S * 3/2001 Jacuzzi et al. D24/204

* cited by examiner

Primary Examiner—Stella Reid

(74) *Attorney, Agent, or Firm*—Thomas R. Lampe

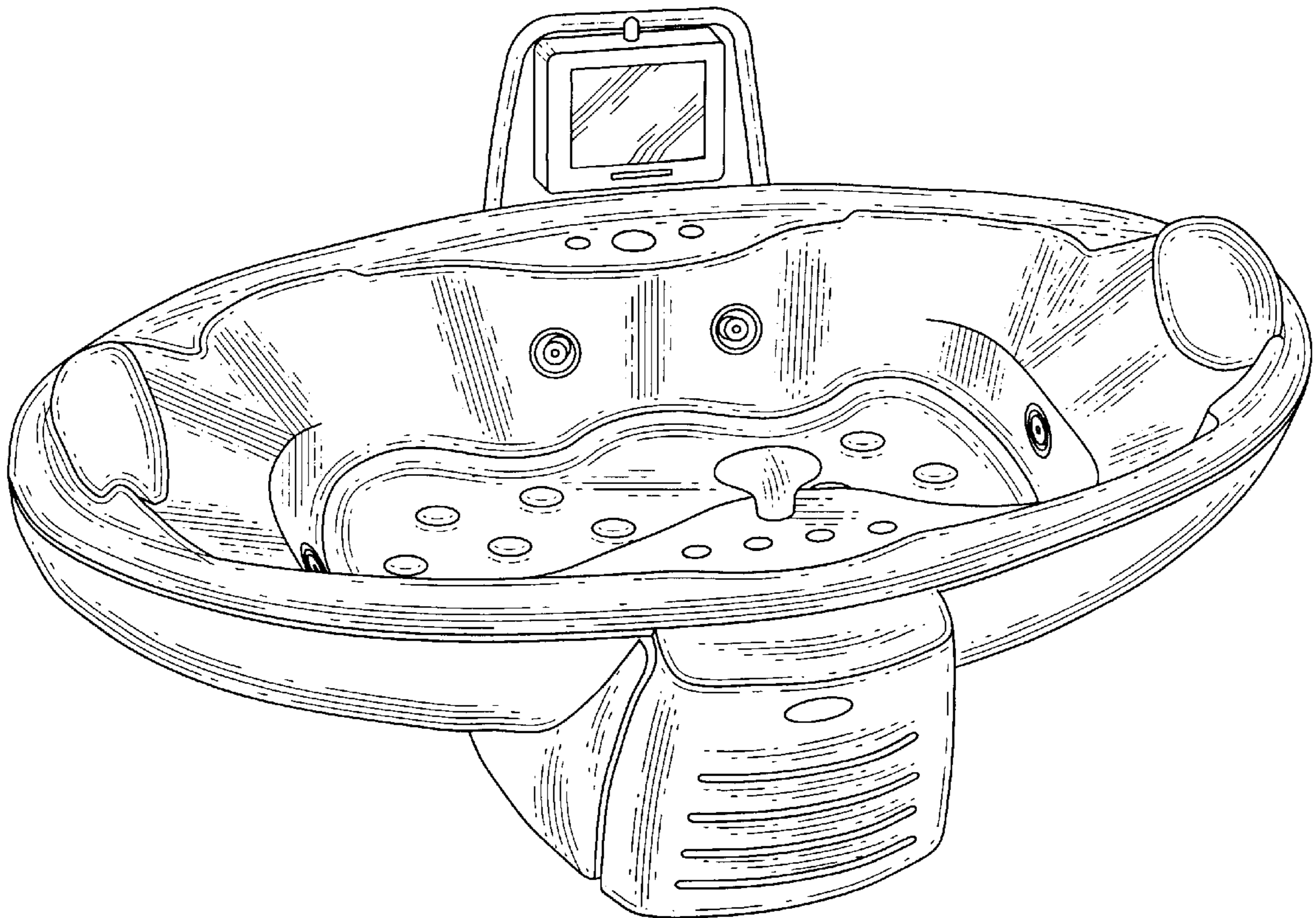
(57) **CLAIM**

The ornamental design for whirlpool bath, as shown and described.

DESCRIPTION

FIG. 1 is a perspective view of whirlpool bath showing our design;
 FIG. 2 is a front elevation view thereof;
 FIG. 3 is a right side elevation view thereof, the left side elevation view thereof being a mirror image;
 FIG. 4 is a top plan view thereof;
 FIG. 5 is a bottom plan view thereof; and,
 FIG. 6 is a rear elevation view thereof.

1 Claim, 2 Drawing Sheets



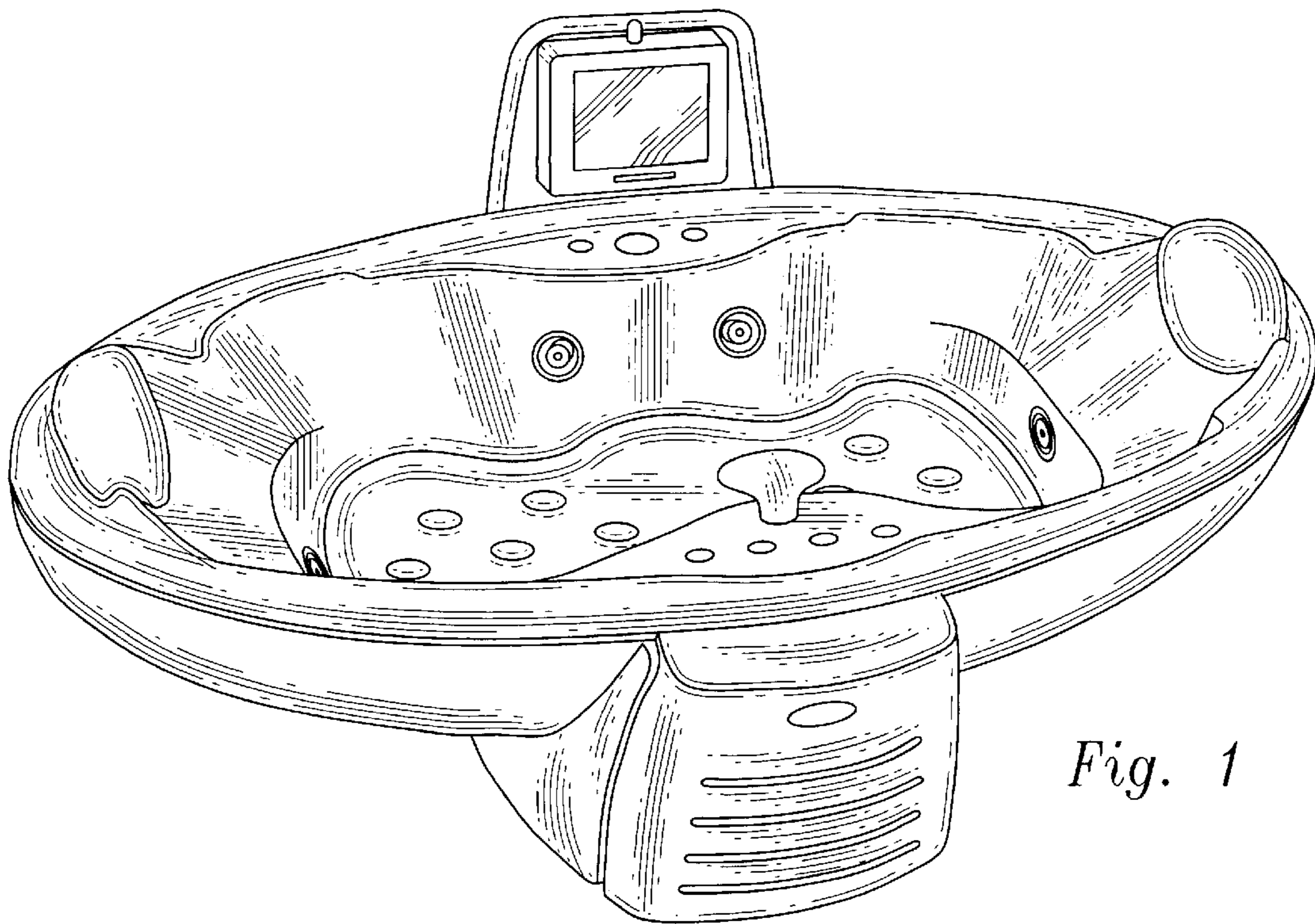


Fig. 1

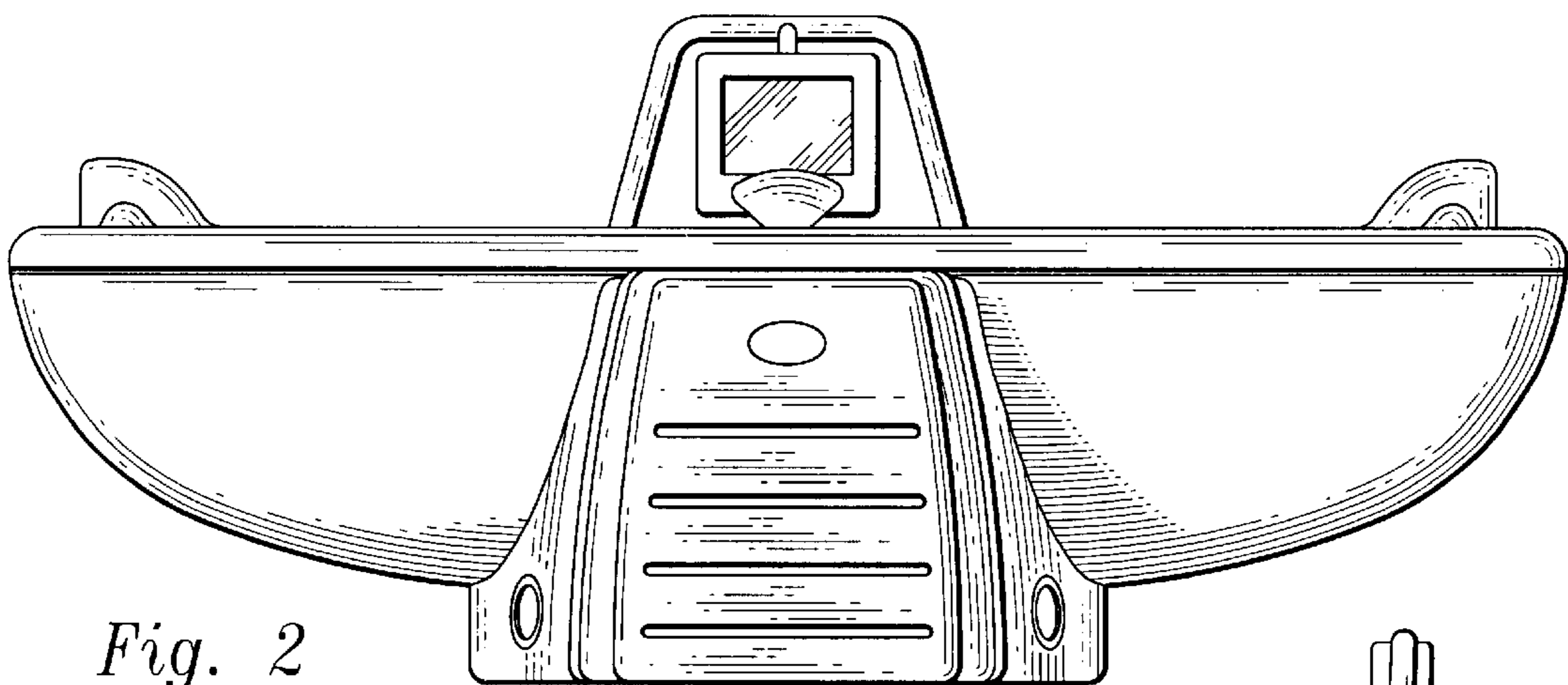


Fig. 2

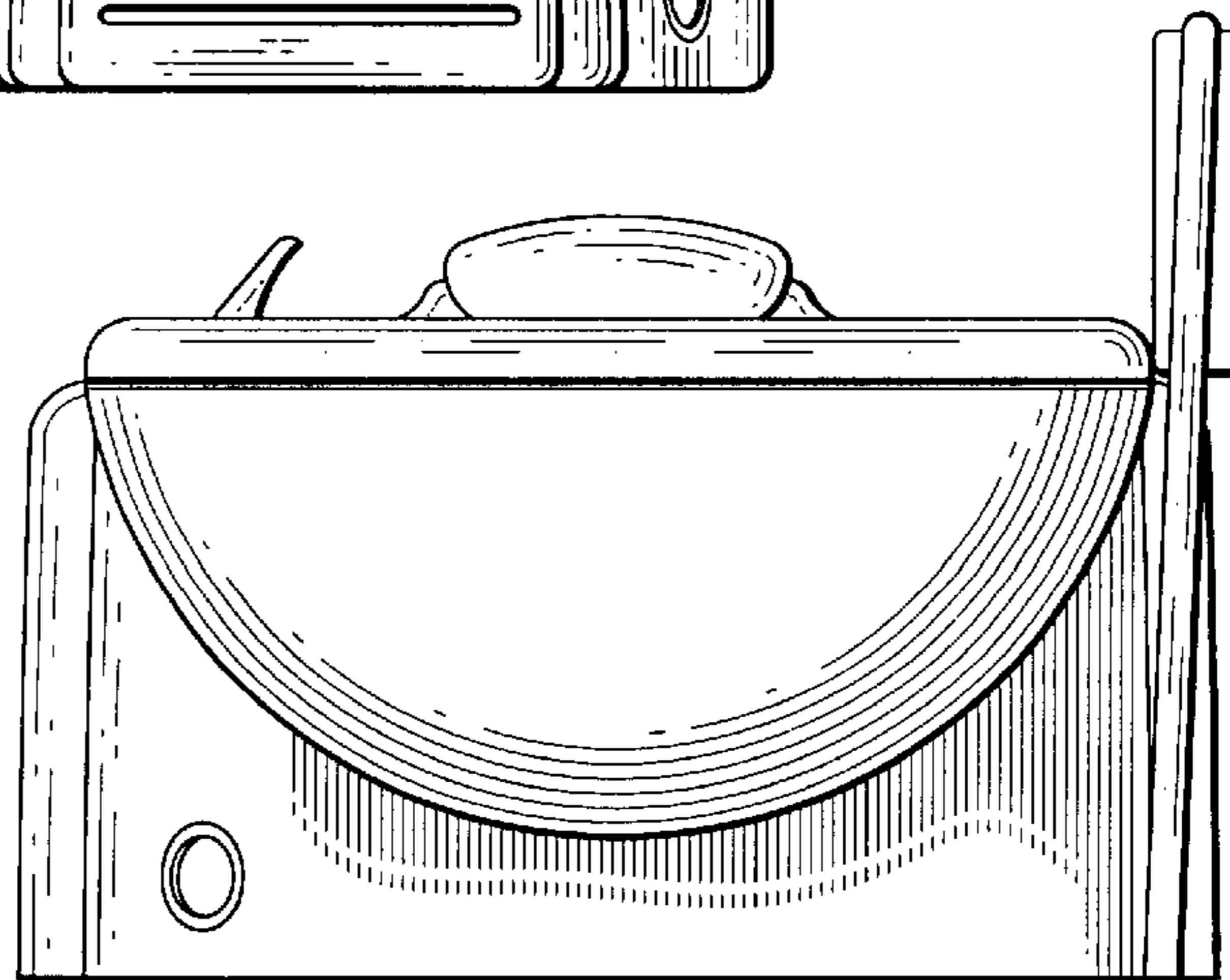


Fig. 3

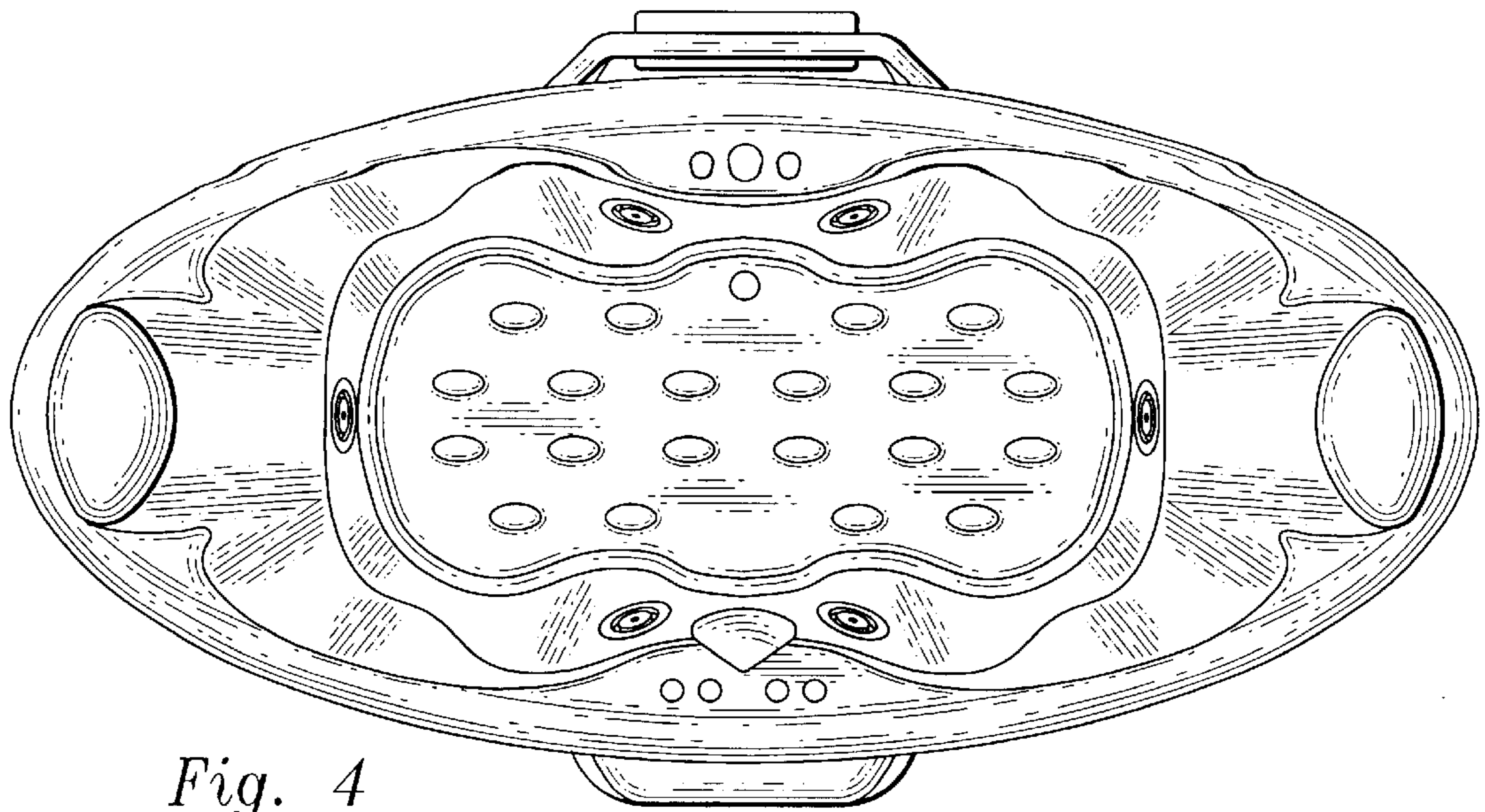


Fig. 4

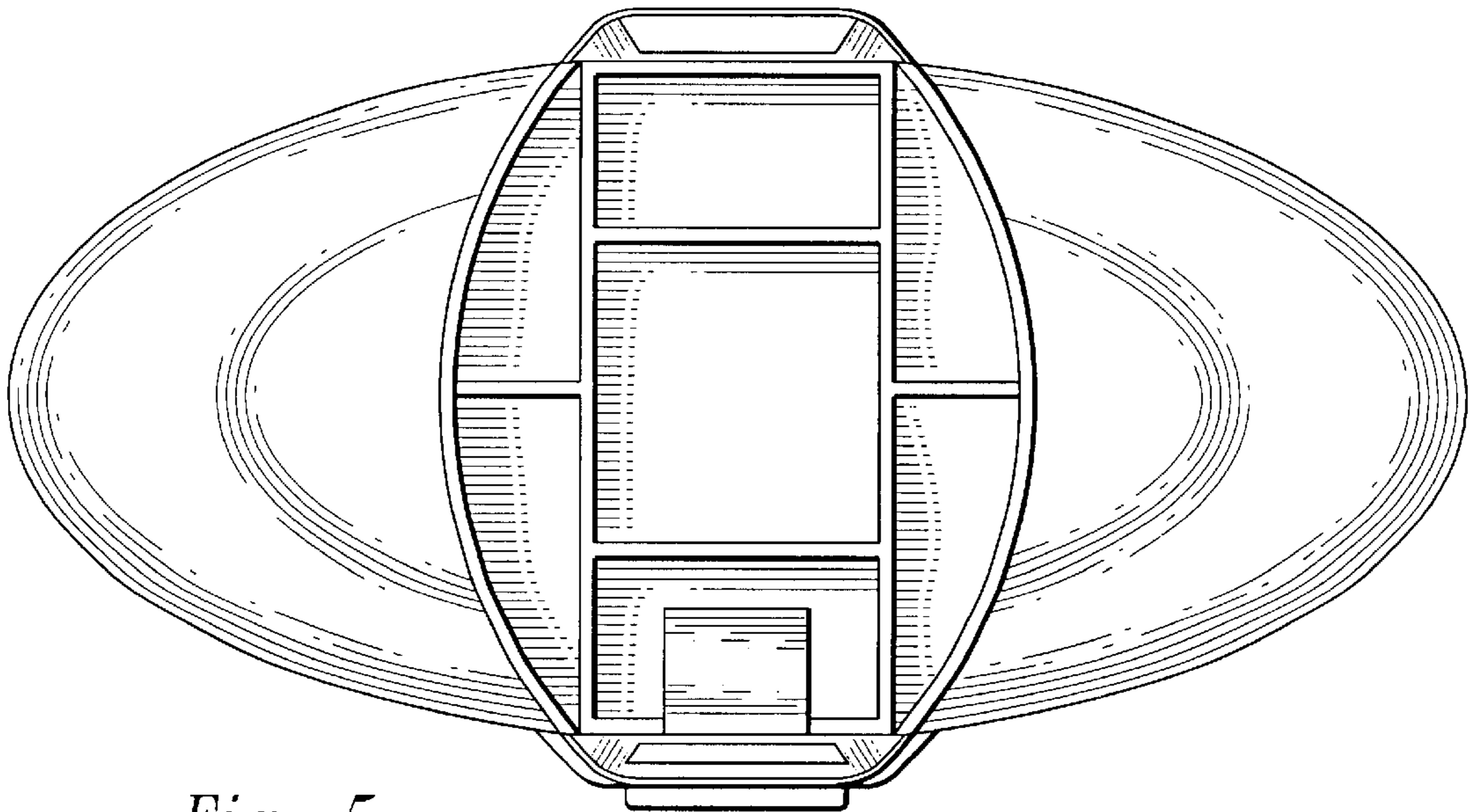


Fig. 5

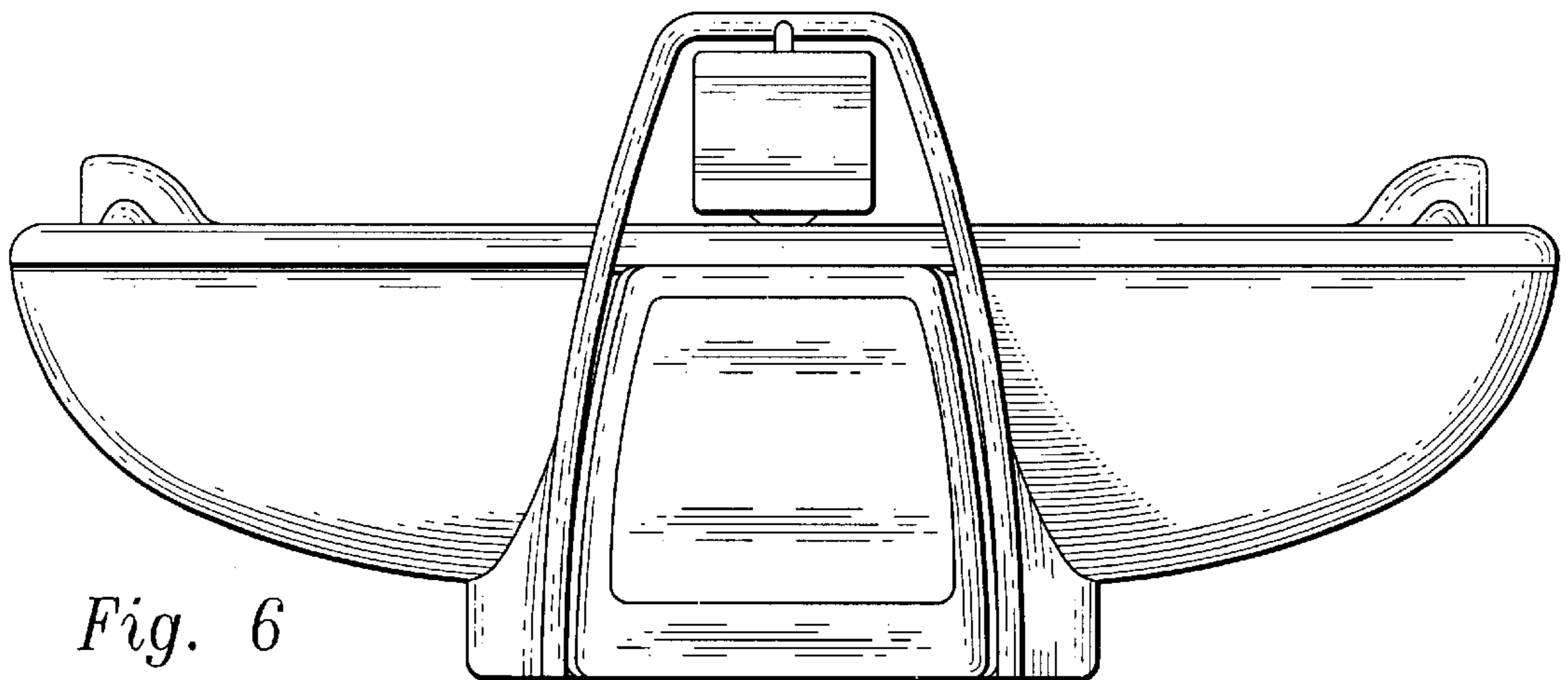


Fig. 6